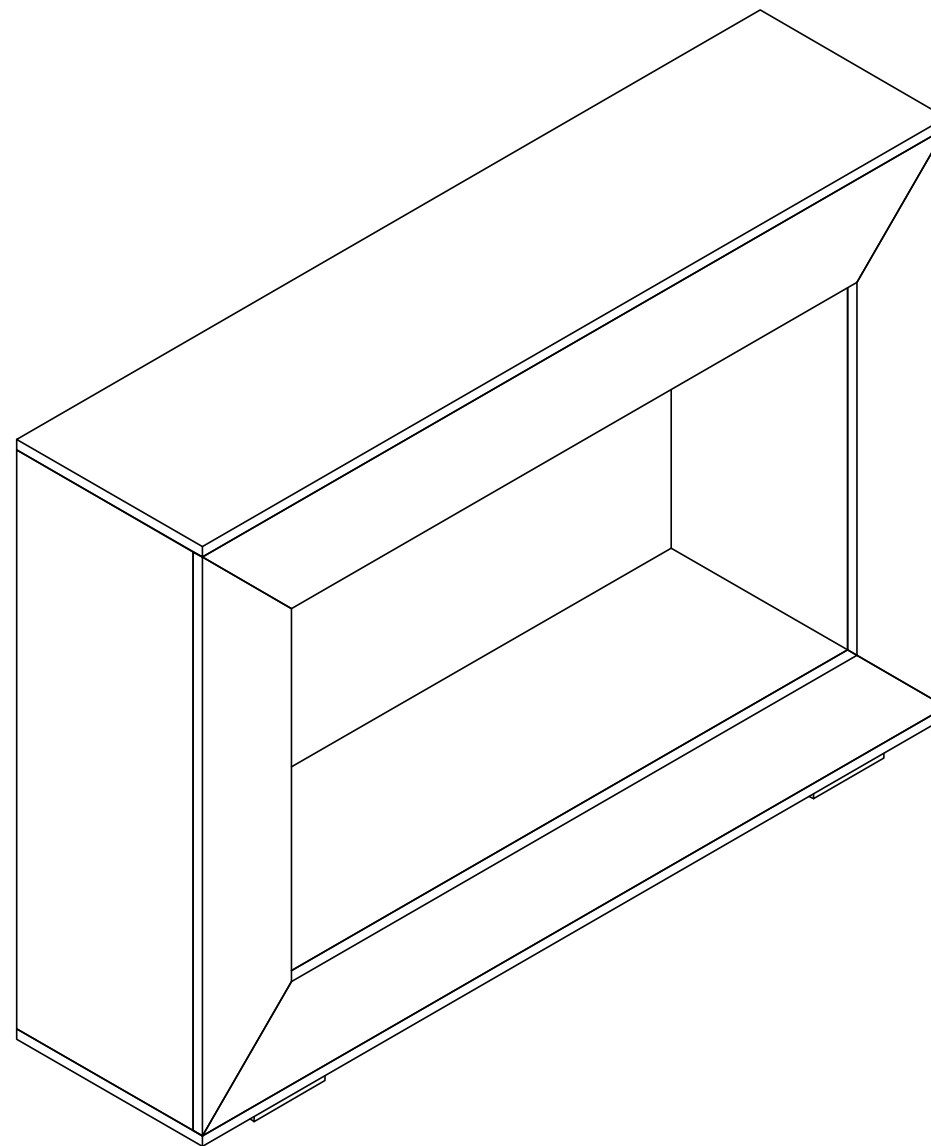


# Rectangular Sofa Table

Assembly Instruction - Please keep properly for future reference.

If you find any missing boxes, damaged parts, or accessory shortages, please contact the customer service team of your purchasing channel immediately. We will resolve the issue as quickly as possible.



## Rectangular Sofa Table

EN

### THE FOLLOWING INFORMATION:

- Order number
- Purchase platform
- Purchase date
- Detailed description of the issue along with photos (if applicable)

**Important** – Please read these instructions carefully before starting the installation.

## Before Assembly



Thank you for choosing our product!

To ensure a smooth installation process, please read this guide carefully to familiarize yourself with the required tools, materials, and installation steps.

Follow the relevant sections to avoid any damage caused by improper installation, and make sure to review all operation and safety guidelines for correct installation procedures.

### Packaging Notice:

If you find any missing boxes, damaged parts, or accessory shortages, please contact the customer service team of your purchasing channel immediately. We will resolve the issue as quickly as possible.

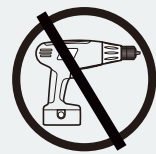
## Safety and Care Advice



### Important :

Please read these instructions fully before starting assembly.

- Check you have all the components and tools listed on the following pages.
- Remove all fittings from the plastic bags and separate them into their groups.
- Keep children and animals away from the work area, small parts could choke if swallowed.
- Make sure you have enough space to layout the parts before starting.
- During assembly do not stand or put weight on the product, this could cause damage.
- Assemble the item as close to its final position (in the same room) as possible.
- Assemble on a soft level surface to avoid damaging the unit or your floor.
- Parts of the assembly will be easier with 2 people.



- To reduce the likelihood of damaging your product please ensure that your power drill is set on a low torque setting.

## Care and Maintenance

- Only clean using a damp cloth and mild detergent, do not use bleach or abrasive cleaners.
- From time to time check that there are no loose screws on this unit.
- This product should not be discarded with household waste. Take to your local authority waste disposal center.

### Handy Hints

- Assemble all parts and bolts loosely during assembly, only once the product is complete should you fully tighten the bolts.
- Regularly check and ensure that all bolts and fittings are tightened properly.

### Warning

In order to help prevent overturning, please follow these instructions.

- Use the anti tip strap or wall fixing method provided (if applicable).
- Do not allow children to climb or hang on the furniture.
- Do not open more than one drawer at a time.
- Do not place heavy items in the top drawers.
- Do not place heavy items on top of the furniture, unless the furniture has been designed for this purpose.
- Please note that only the anti tip strap is provided. You will need to provide wall plugs and screws applicable for your wall type.

# Customer Service Guide



Thank you for choosing our product! We are committed to providing you with excellent service. If you find any missing parts, damaged packaging, or product damage after receiving all packages, please follow the steps below to quickly contact our customer service team. We will do our best to resolve your issue.

## 1. Missing Parts

### Verify Parts:

1. Refer to the “Parts List” in the manual to verify the name, specifications, and quantity of the missing parts.
2. Take a clear photo of the parts list and mark the missing parts with detailed information, e.g., “Missing 5 pieces of M6×30mm screws.”

### Contact Us:

#### By Email:

Send an email with the subject line “Missing Parts Issue.” Include the following in the email:

- A description of the missing parts and a photo of the parts list.
- Order details (order number, purchase platform, purchase date).

## 2. Product or Packaging Damage

### If it affects normal use:

#### Steps:

1. Take clear photos or videos showing the damaged parts and the extent of the damage (multi-angle shots are recommended).
2. Email the photos/videos along with order details with the subject line “Product Damage Issue.”

#### Resolution:

After verification, we will arrange for a replacement part, product exchange, or refund as quickly as possible.

### If it does not affect normal use:

#### Steps:

1. Contact our customer service team.
2. Provide a description of the damage and include relevant photos or videos.

#### Resolution:

We will provide repair guidance or an appropriate compensation plan based on the specific situation.

## Helpful Tips

### To process your issue efficiently, please prepare the following information:

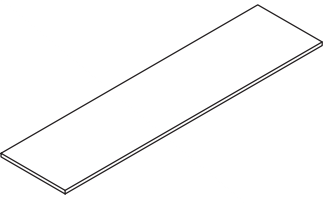
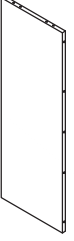
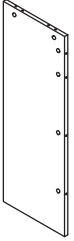
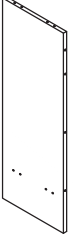

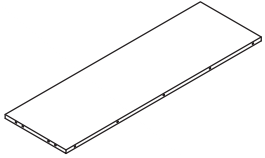
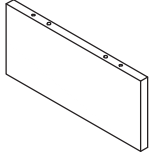
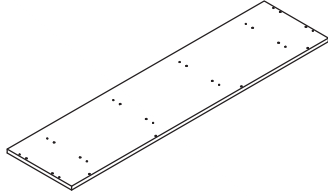
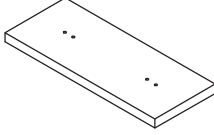
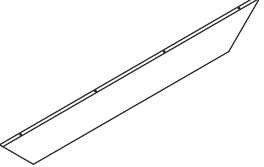
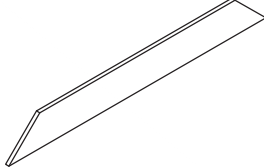

- Order details (order number, purchase platform, purchase date).
- Clear photos or videos.
- We are committed to providing quick and professional solutions, no matter the size of the issue, to ensure your satisfaction.

**Thank you for your trust and support!**  
**We hope you enjoy using our product!**

# Parts List



Please check you have all the panels listed below.

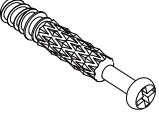
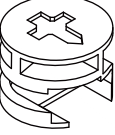
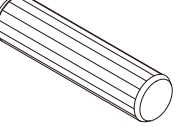
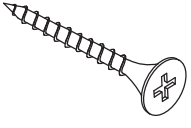
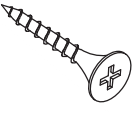
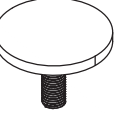
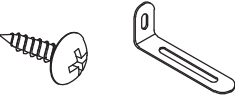
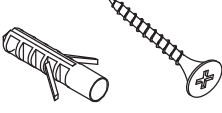
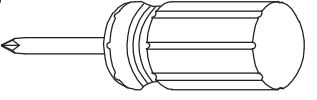
		
<b>1</b> 1200x300x15mm X1	<b>2</b> 791x281x15 mm X1	<b>3</b> 791x281x15mm X1
		
<b>4</b> 791x281x15 mm X1	<b>5</b> 791x281x15 mm X1	<b>6</b> 912x281x15mm X1
		
<b>7</b> 280x130x15 mm X2	<b>8</b> 1200x300x15mm X1	<b>9</b> 283x114x15mm X2
		
<b>10</b> 1200x145x15mm X1	<b>11</b> 1200x145x15 mm X1	<b>12</b> 790x145x15 mm X2

# Parts List - Fittings

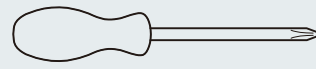


Please check you have all the panels listed below.

Note: The quantities below are the correct amount to complete the assembly. In some cases more fittings may be supplied are required.

		
<b>A</b> x41	<b>B</b> x41	<b>C</b> ø6x30mm x34
		
<b>D</b> ø4x35mm x12	<b>E</b> ø4x25mm x4	<b>F</b> x4
		
<b>G</b> ø4x12mm x2	<b>H</b> ø4x40mm x2	<b>I</b> x1

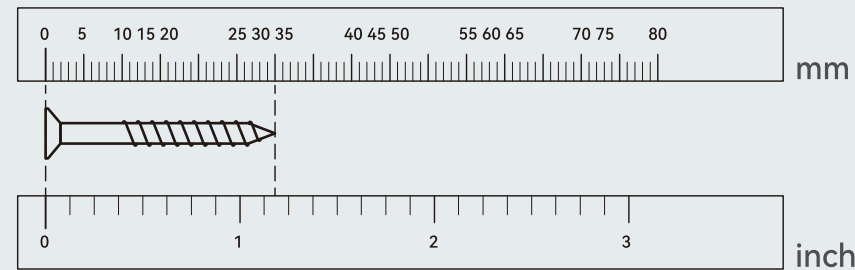
## Tools required



Phillips screwdriver  
(medium & large)

## Ruler

Use this ruler to  
help correctly  
identify the screws



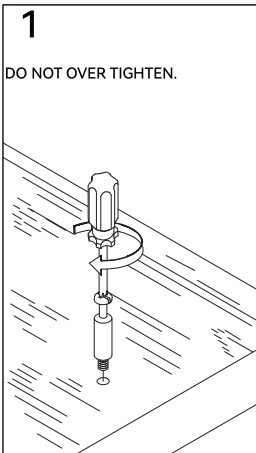
The screws length is measured from the head to the point  
(30mm screw shown).

## Using Camlocks



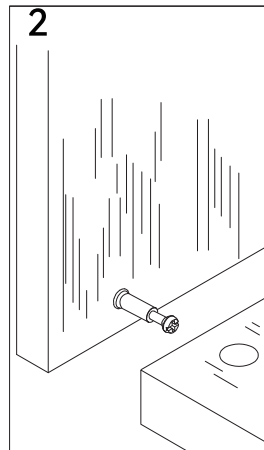
## Step 1

Connect the male camlock as directed in the assembly instructions using a screwdriver.



## Step 2

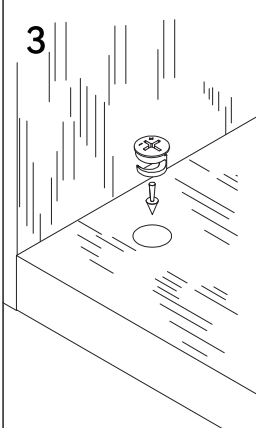
Push the male camlock into the entry hole.



## Step 3

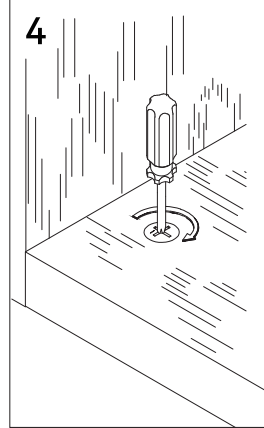
Insert the female camlock as shown in the instruction.

Note: ensure that the arrow on the top of the camlock points towards the entry hole for the male camlock.

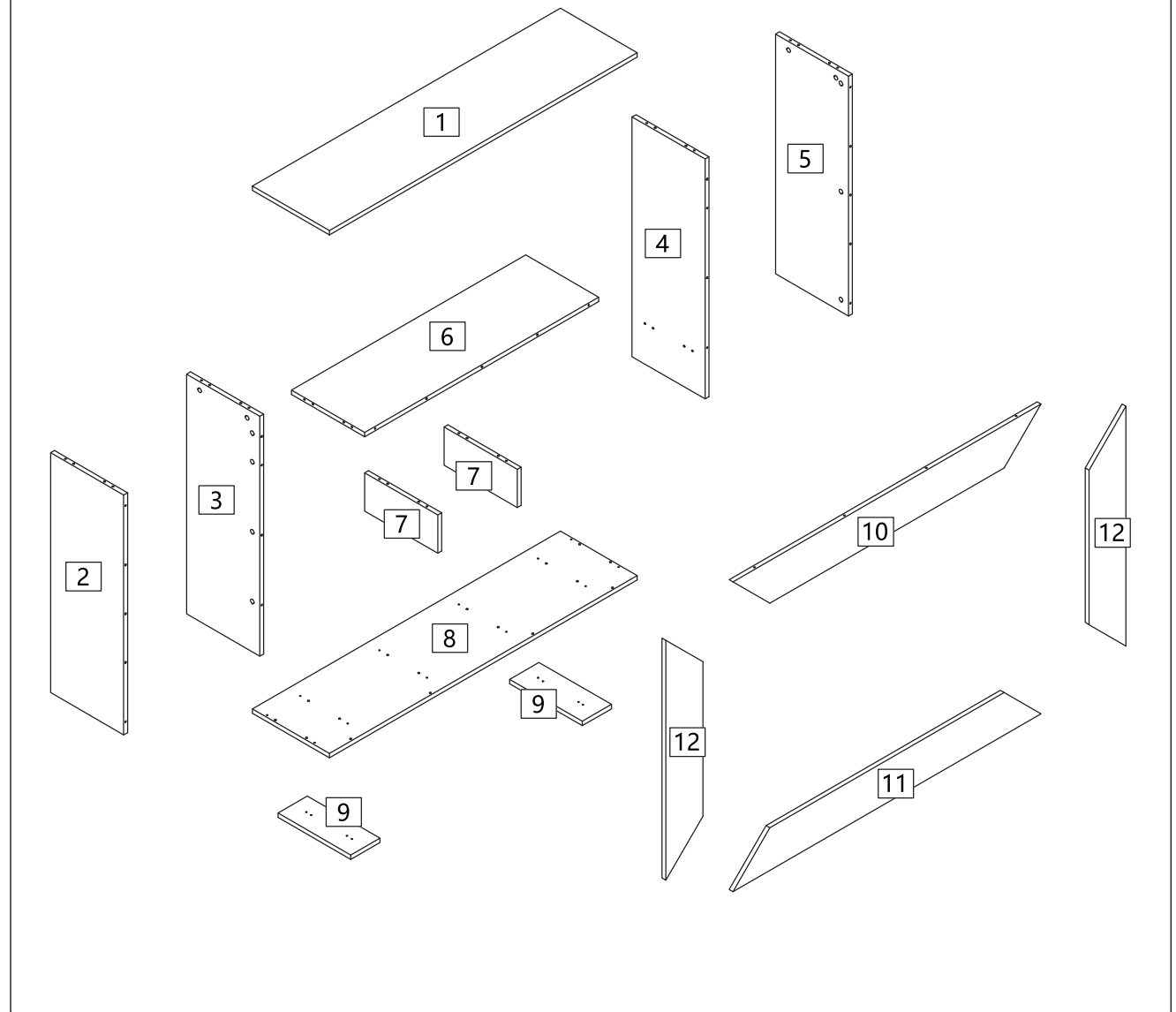
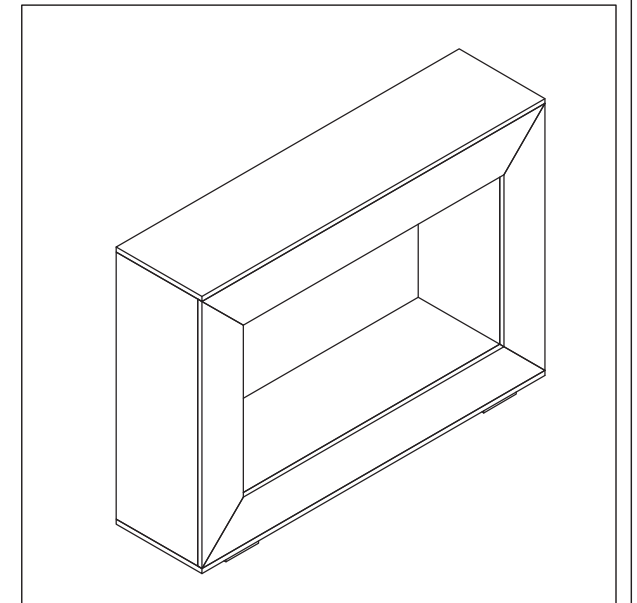


## Step 4

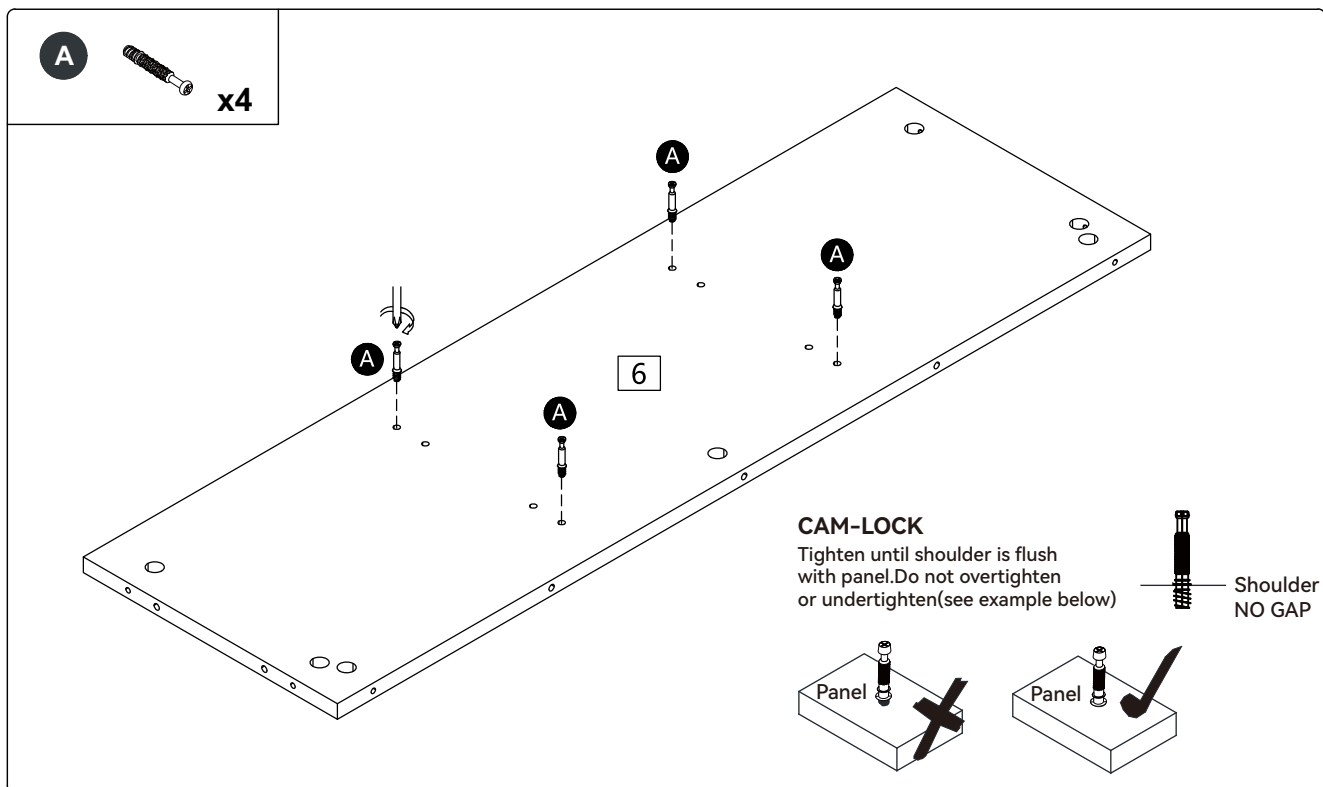
Turn the female camlock clockwise with a screwdriver.  
You should feel a click when the camlock is locked in place.  
The joint is now secure.



## Assembly Instructions

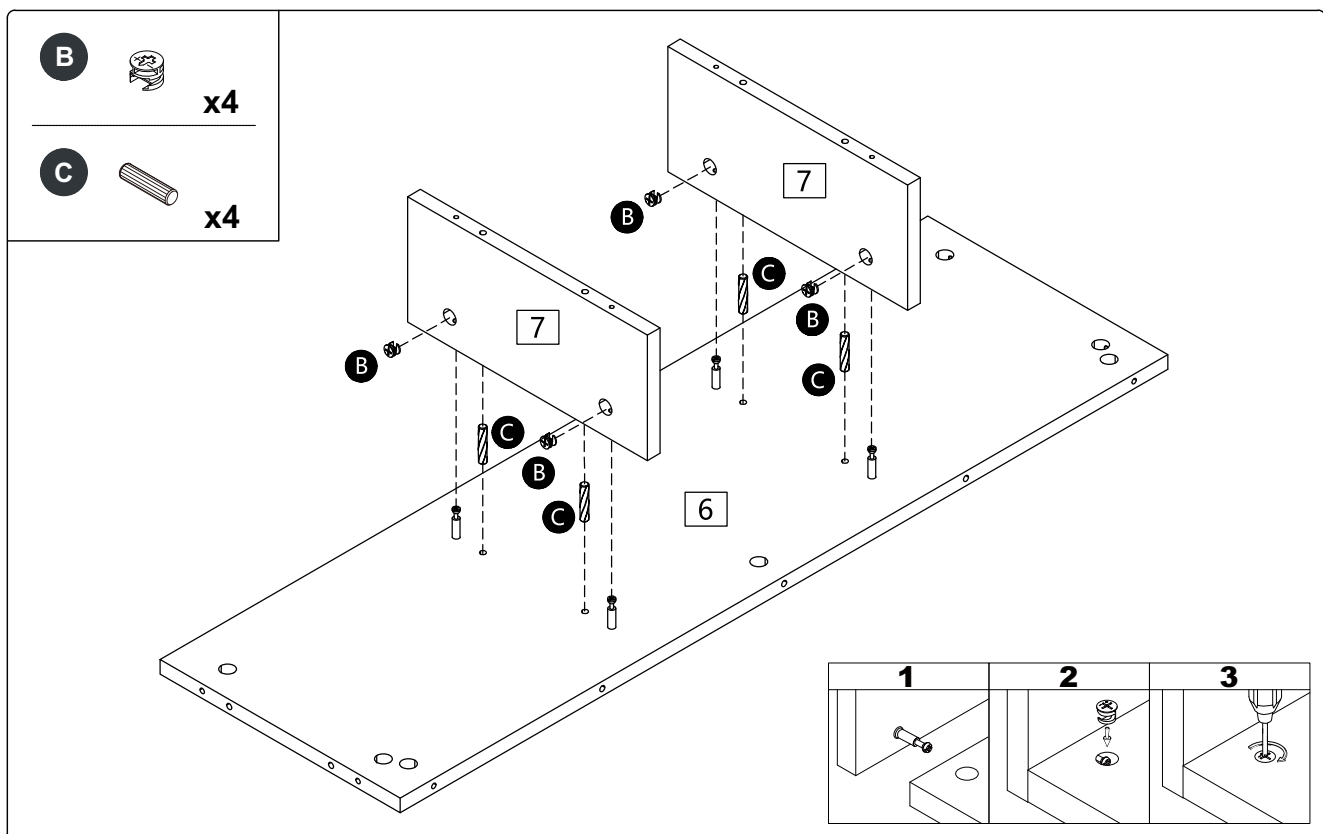


## Step 1



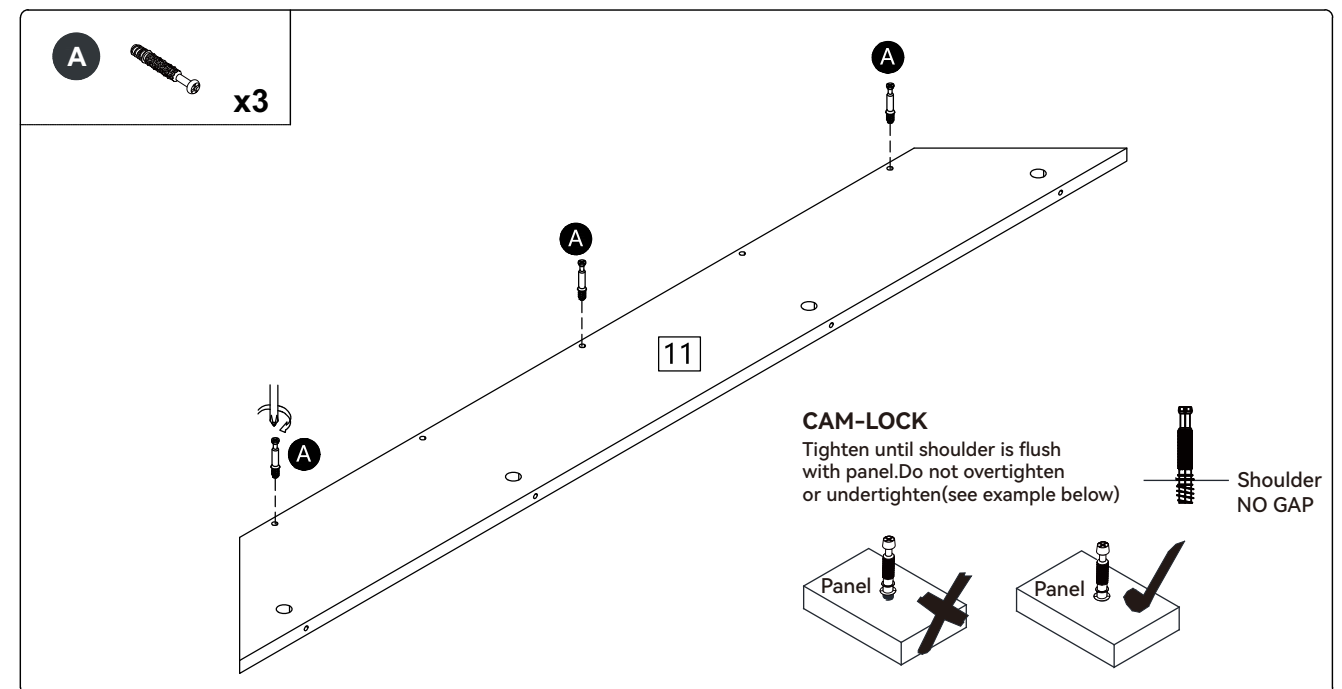
Install the Cam Bolt (A) onto Part (6).

## Step 2



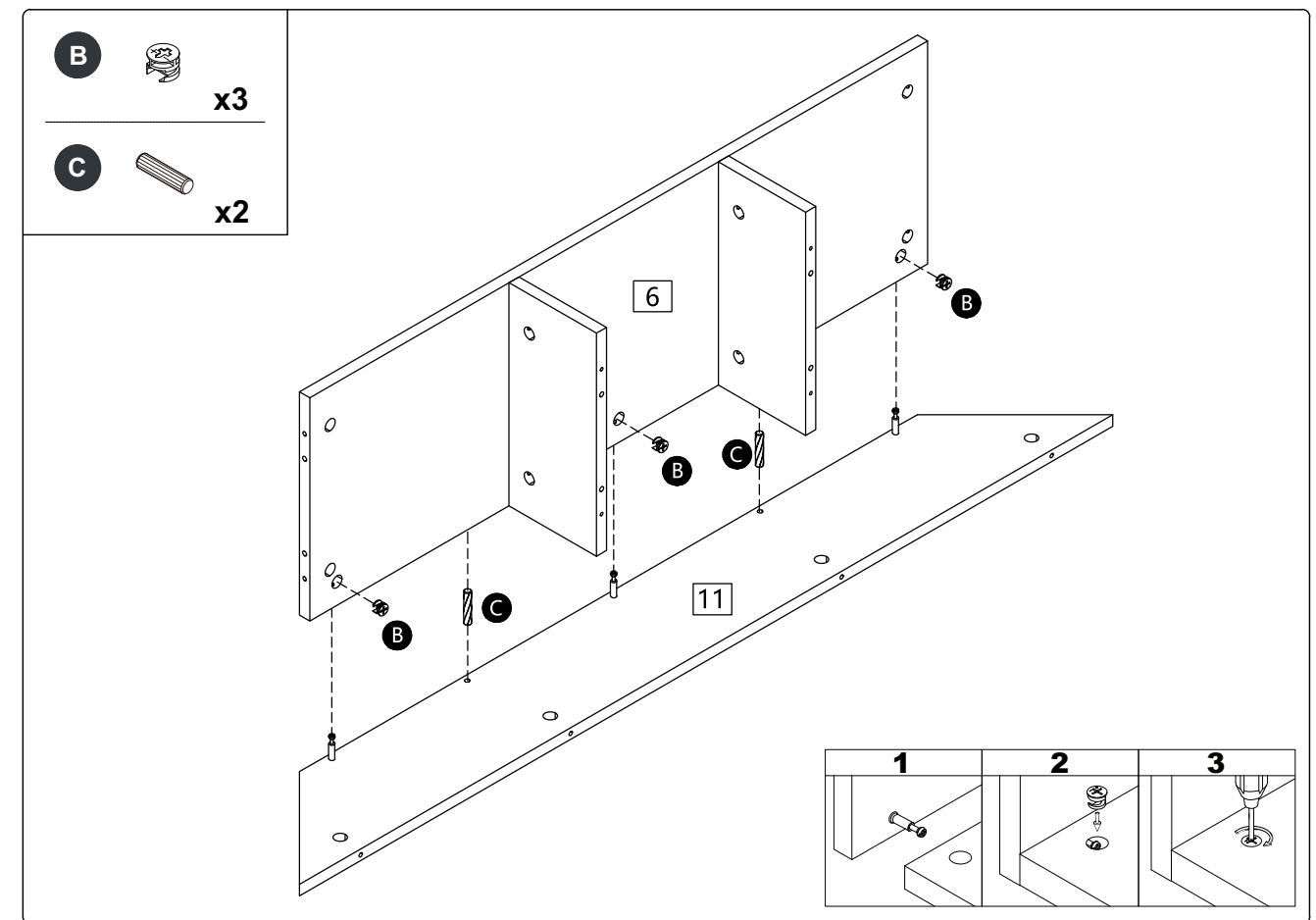
Insert the Wooden Dowel (C) into Part (6), connect Part (7) to Part (6), and secure with the Cam Lock (B).

## Step 3



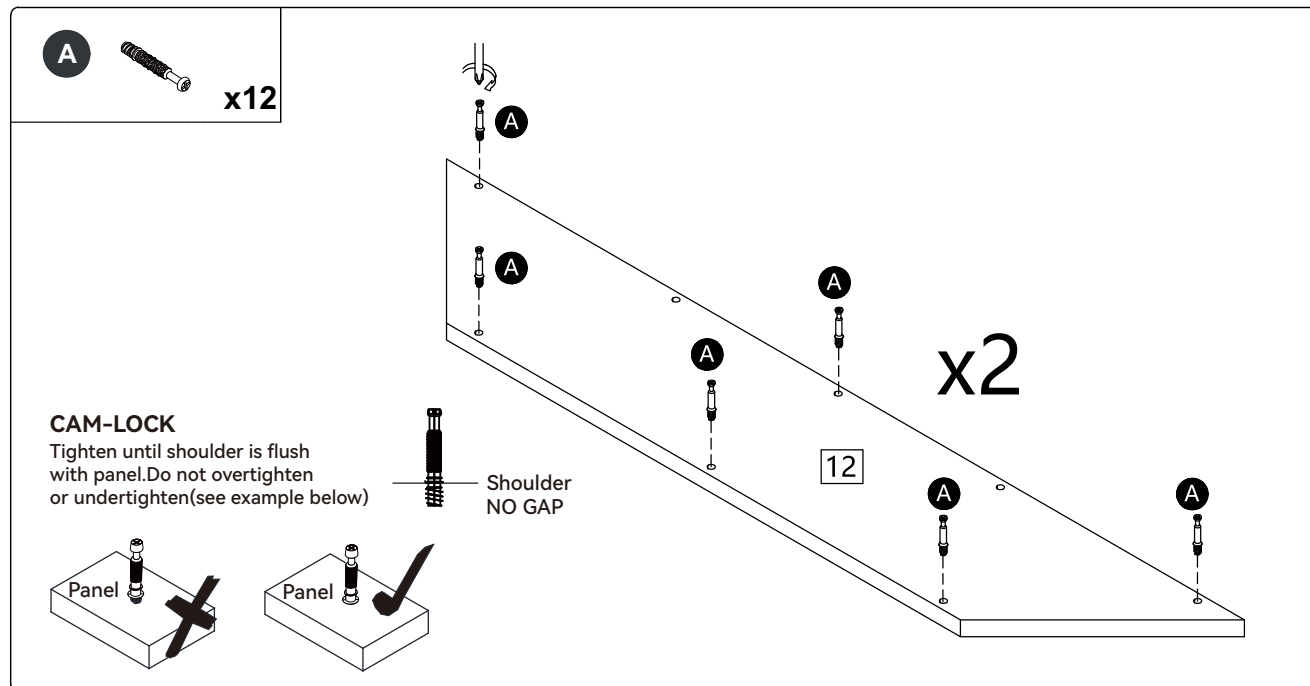
Install the Cam Bolt (A) onto Part (11).

## Step 4



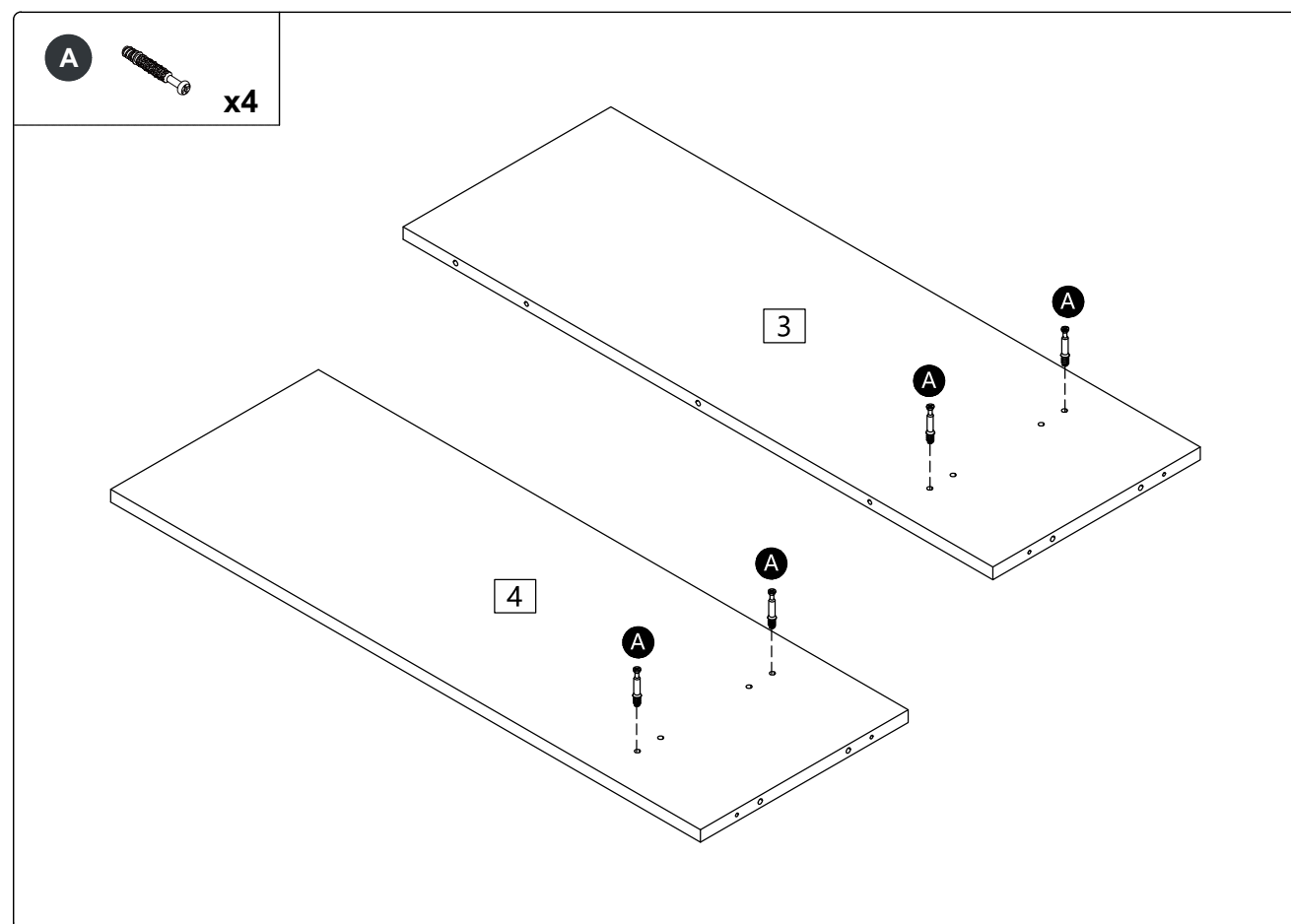
Insert the Wooden Dowel (C) into Part (11), connect Part (11) to Part (6), and secure with the Cam Lock (B).

## Step 5



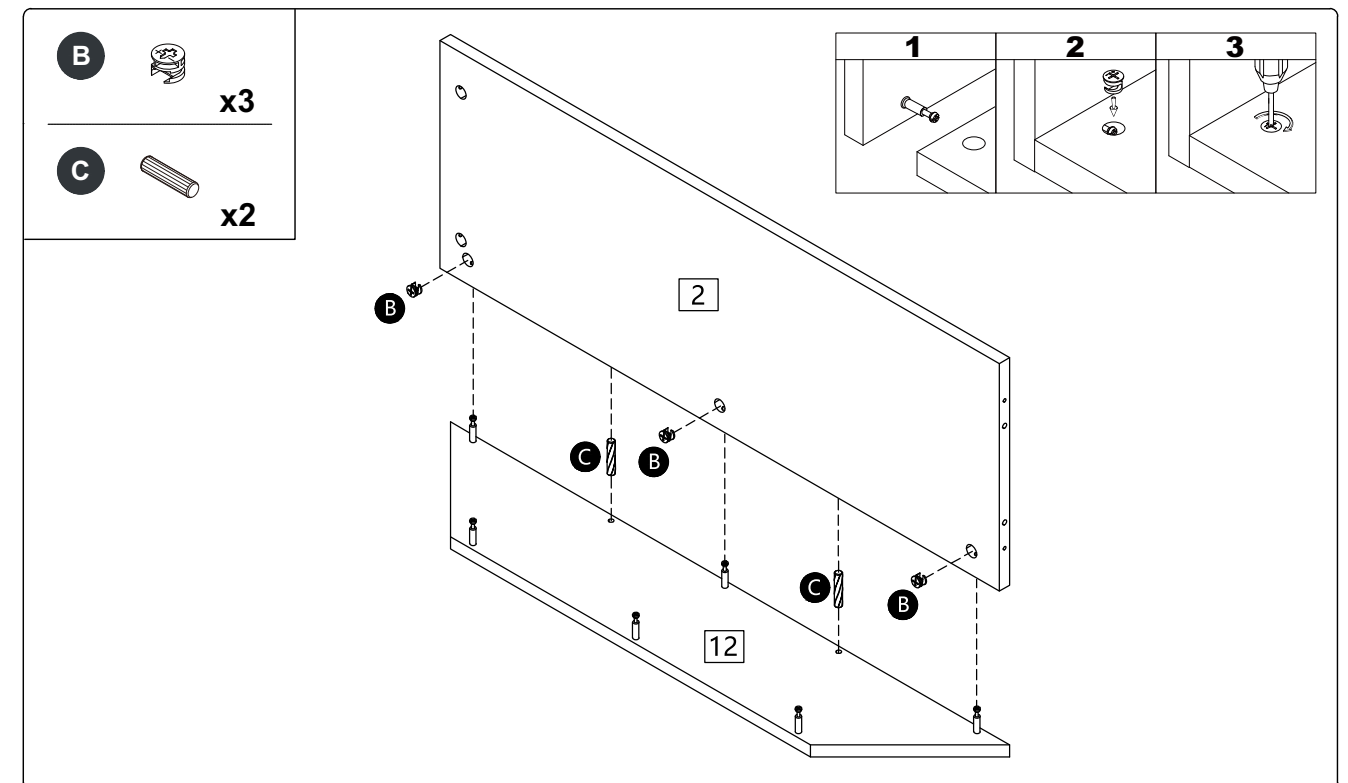
Install the Cam Bolt (A) onto both pieces of Part (12).

## Step 6



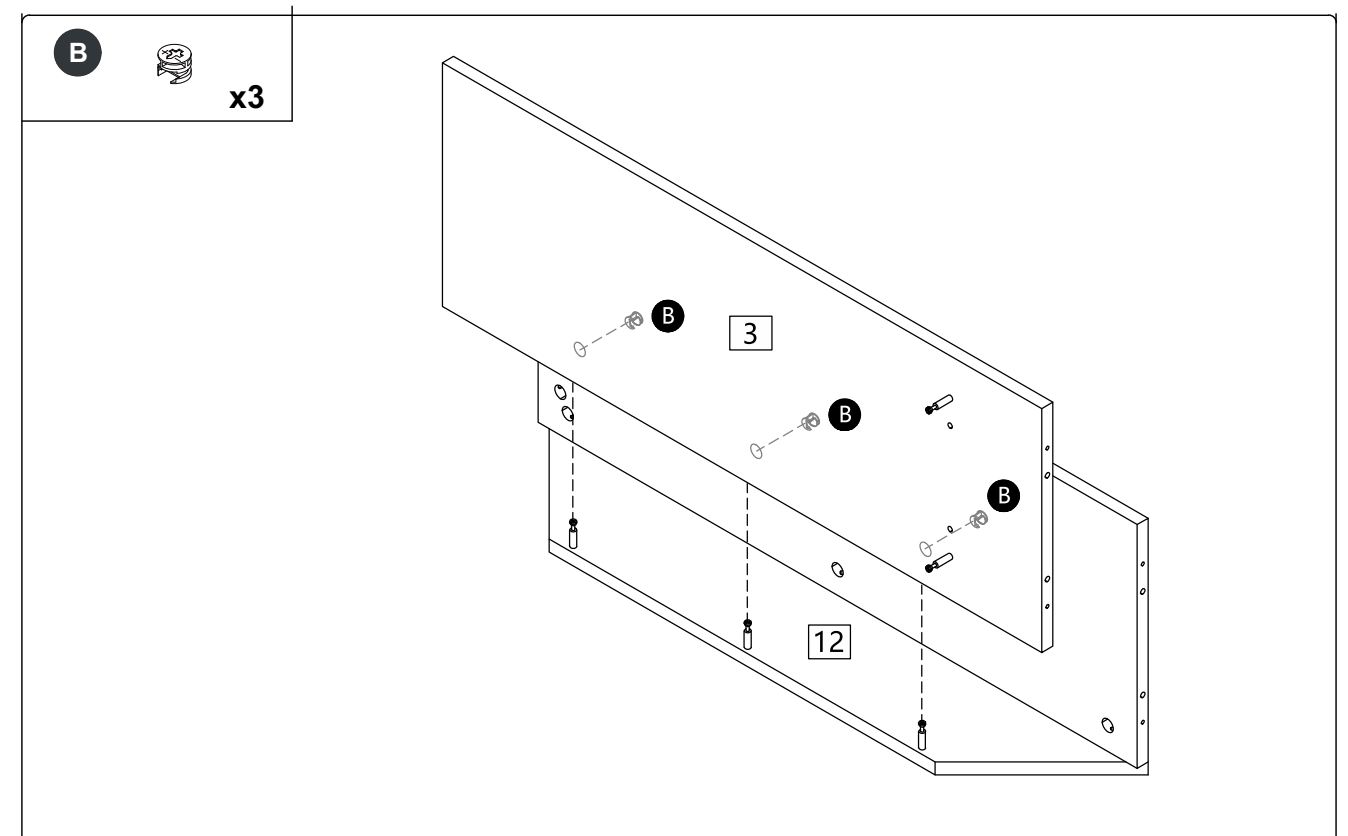
Install the Cam Bolt (A) onto Parts (3) and (4).

## Step 7



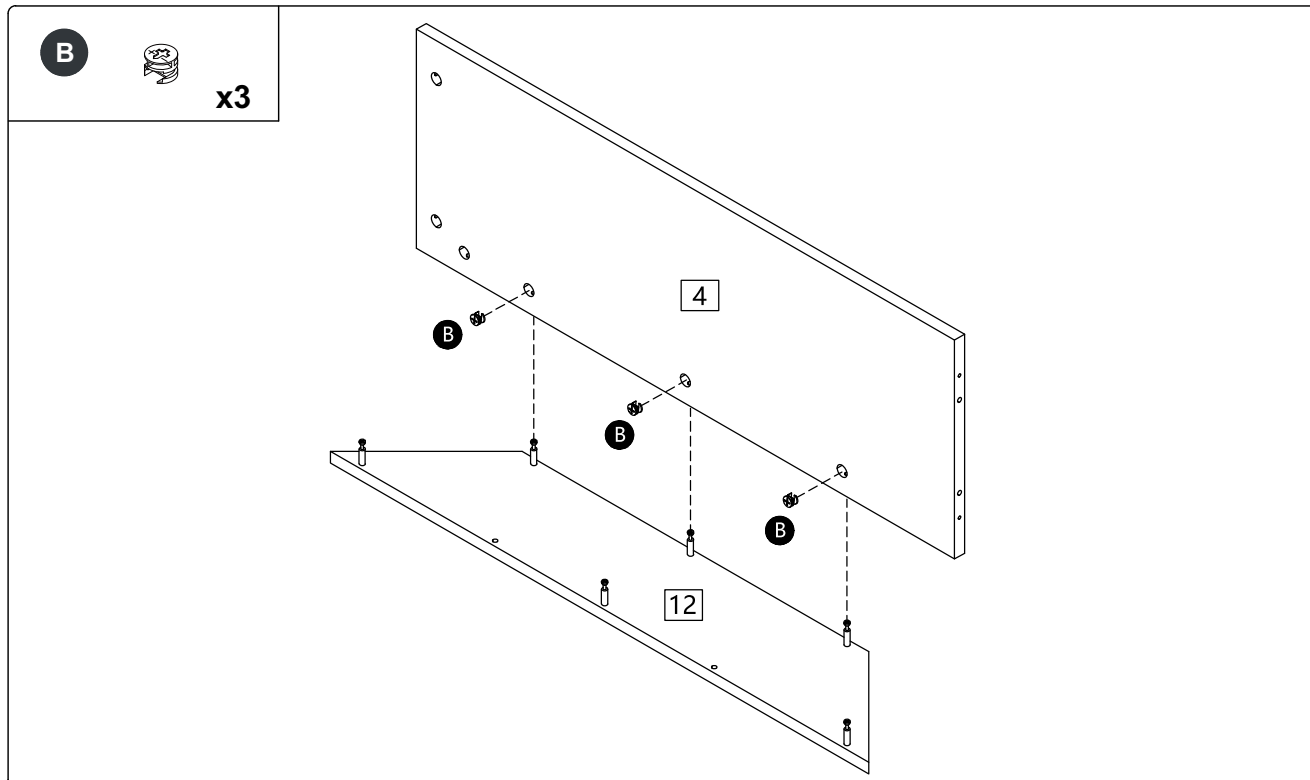
Insert the Wooden Dowel (C) into Part (12), connect Part (12) to Part (2), and secure with the Cam Lock (B).

## Step 8



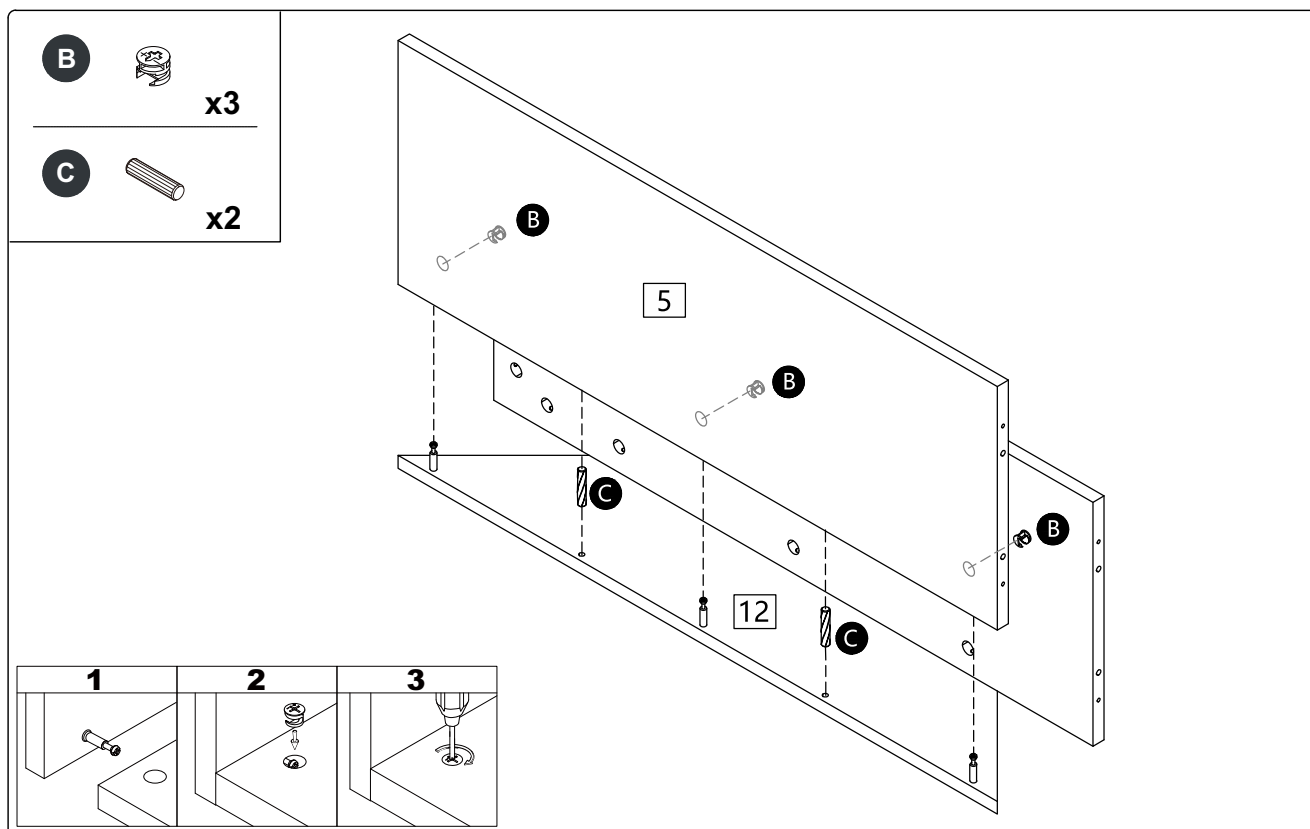
Connect Part (12) to Part (3), and secure with the Cam Lock (B).

## Step 9



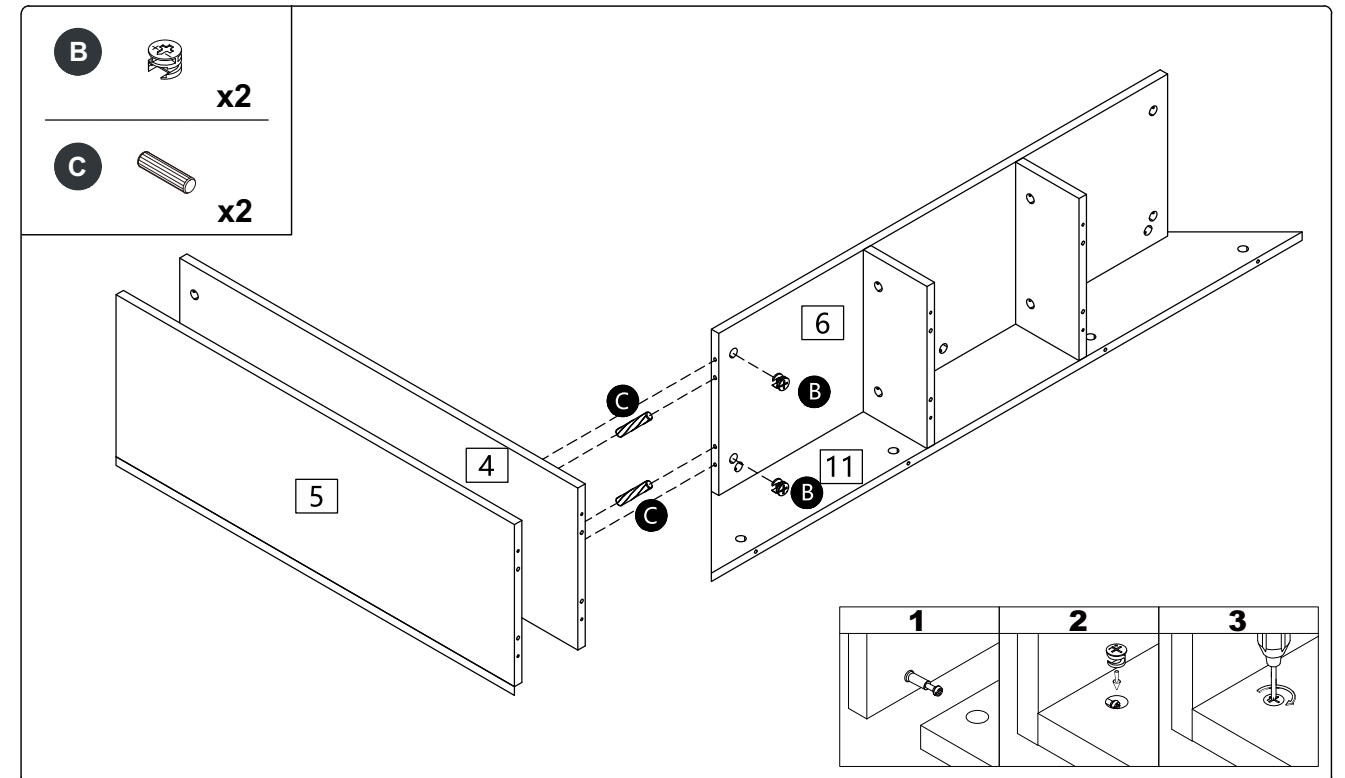
Connect Part (12) to Part (4), and secure with the Cam Lock (B).

## Step 10



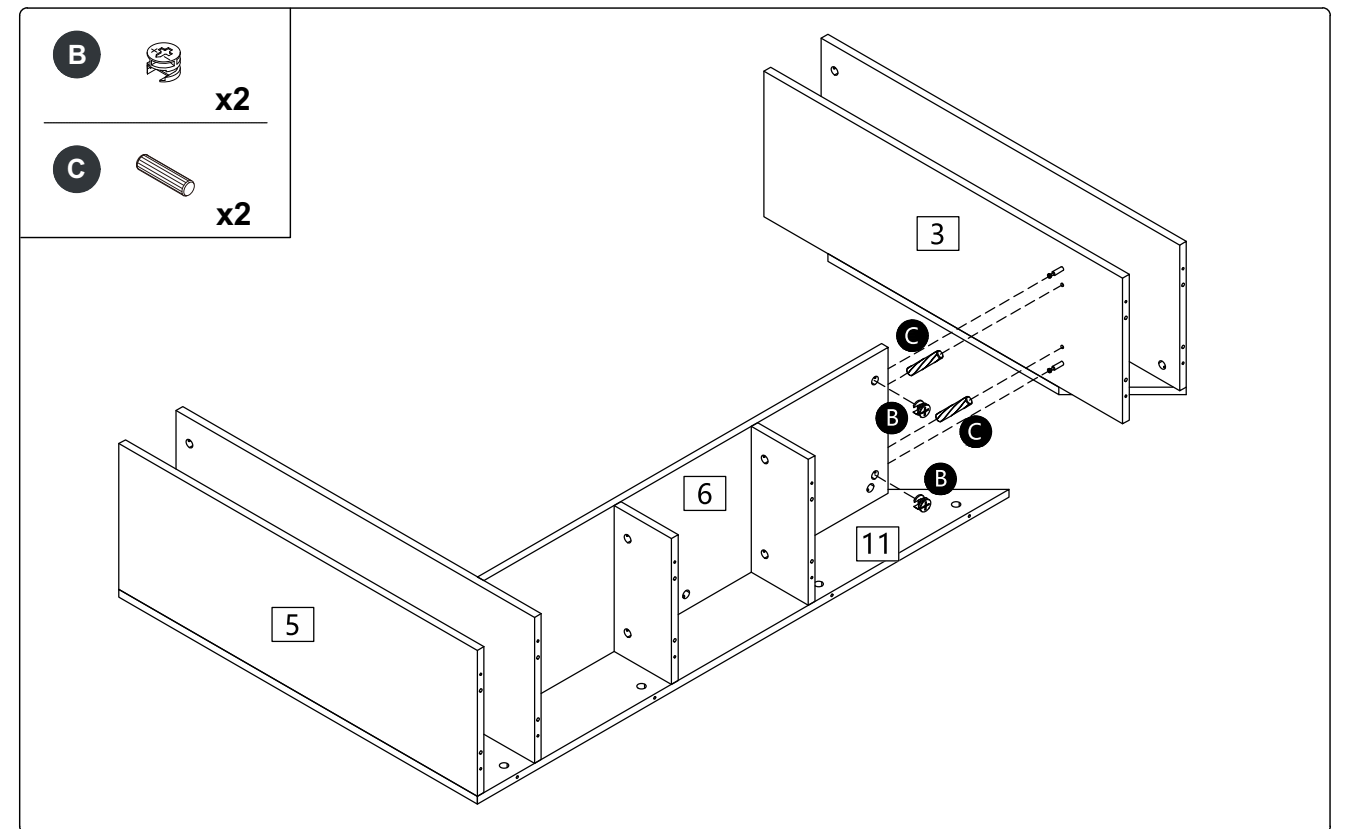
Insert the Wooden Dowel (C) into Part (12), connect Part (12) to Part (5), and secure with the Cam Lock (B).

## Step 11



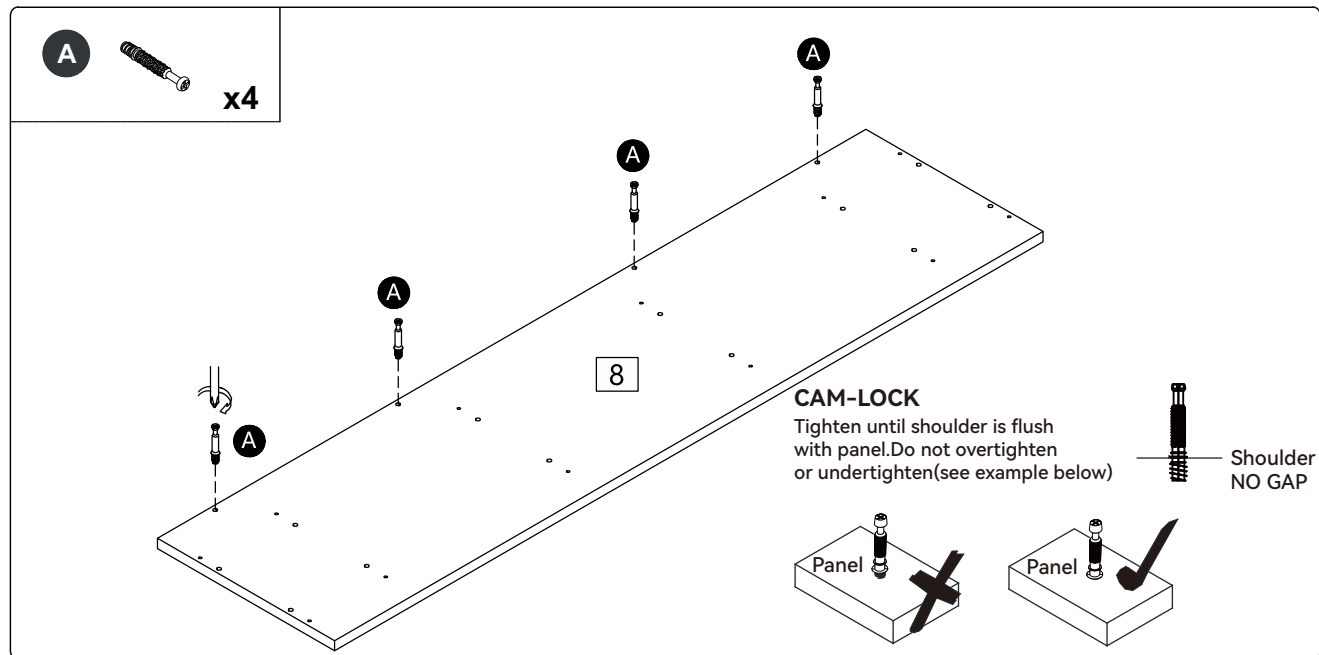
Insert the Wooden Dowel (C) into Part (6), connect Part (4) to Part (6), and secure with the Cam Lock (B).

## Step 12



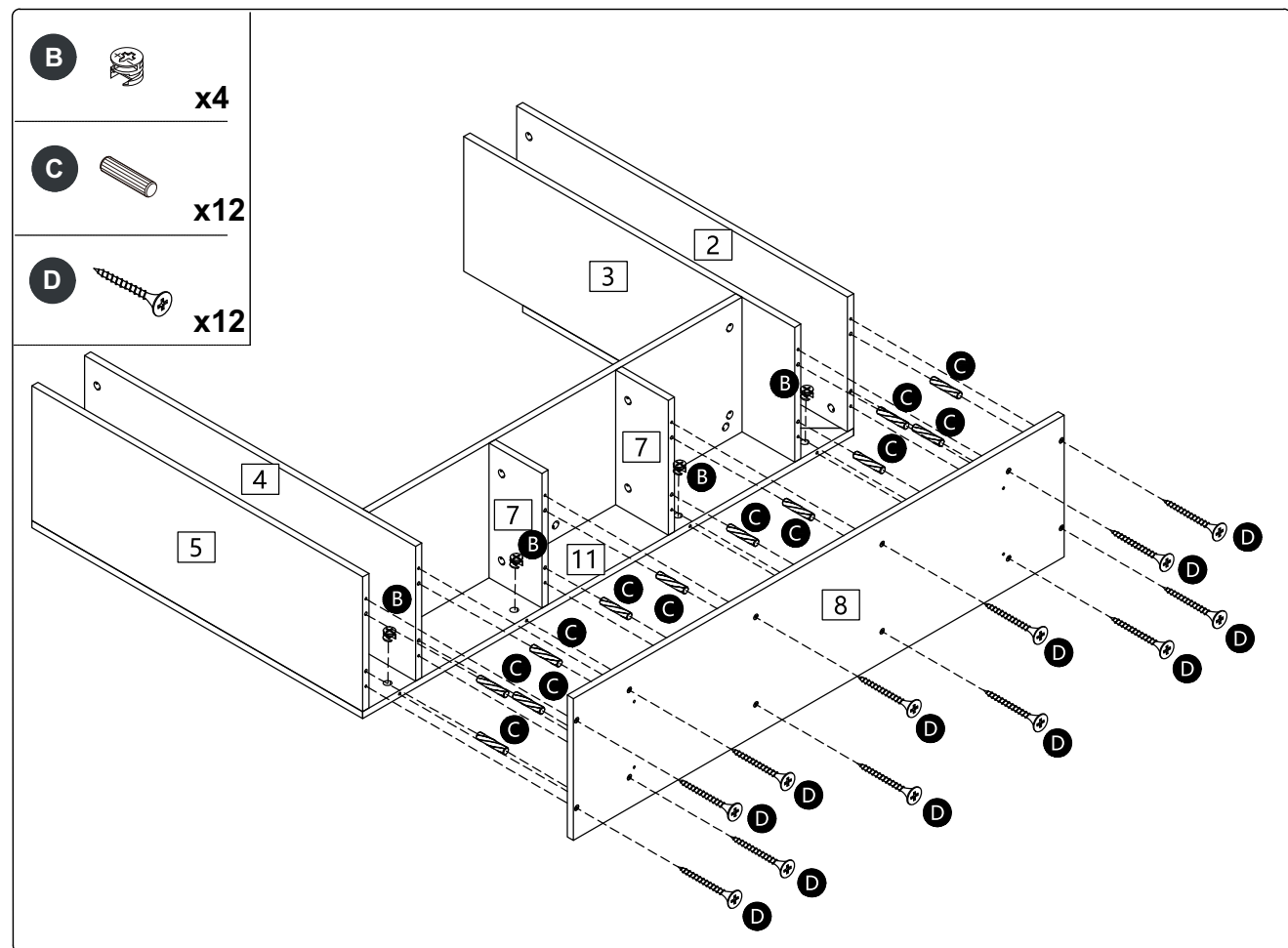
Insert the Wooden Dowel (C) into Part (6), connect Part (3) to Part (6), and secure with the Cam Lock (B).

## Step 13



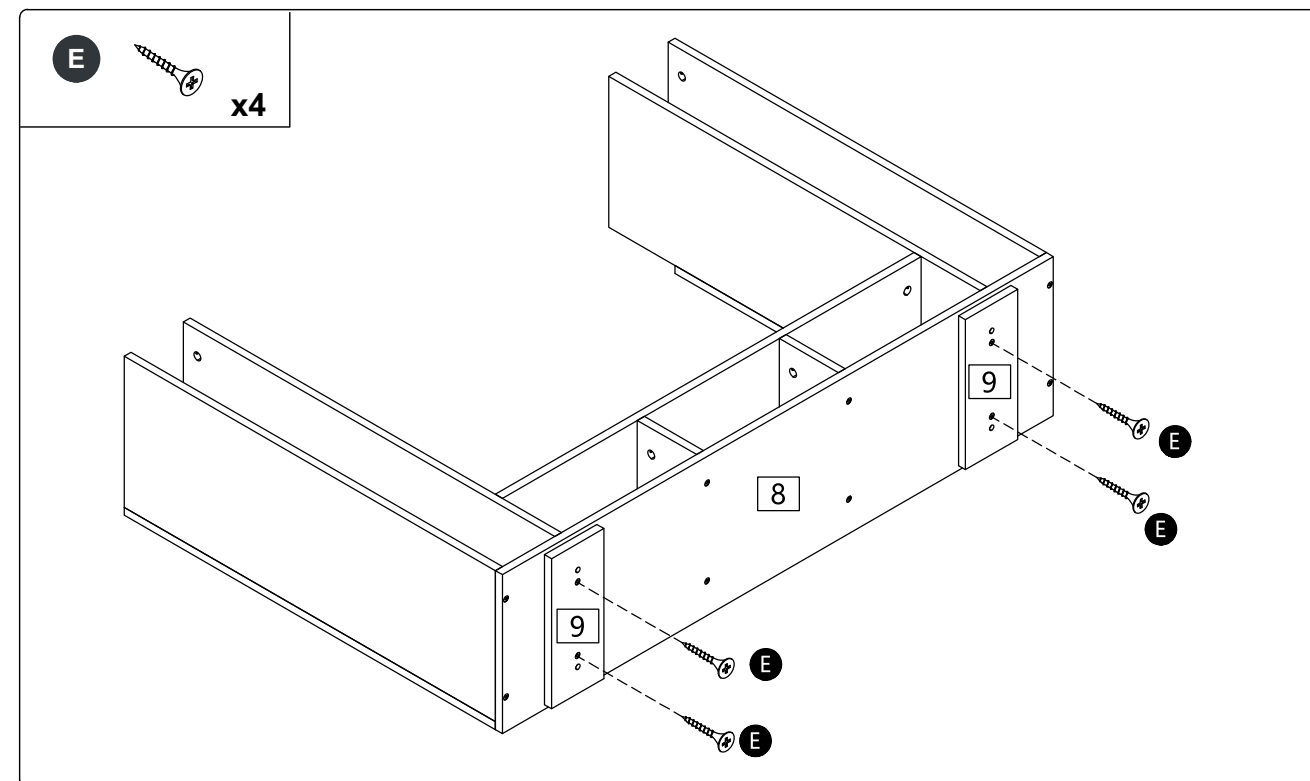
Install the Cam Bolt (A) onto Part (8).

## Step 14



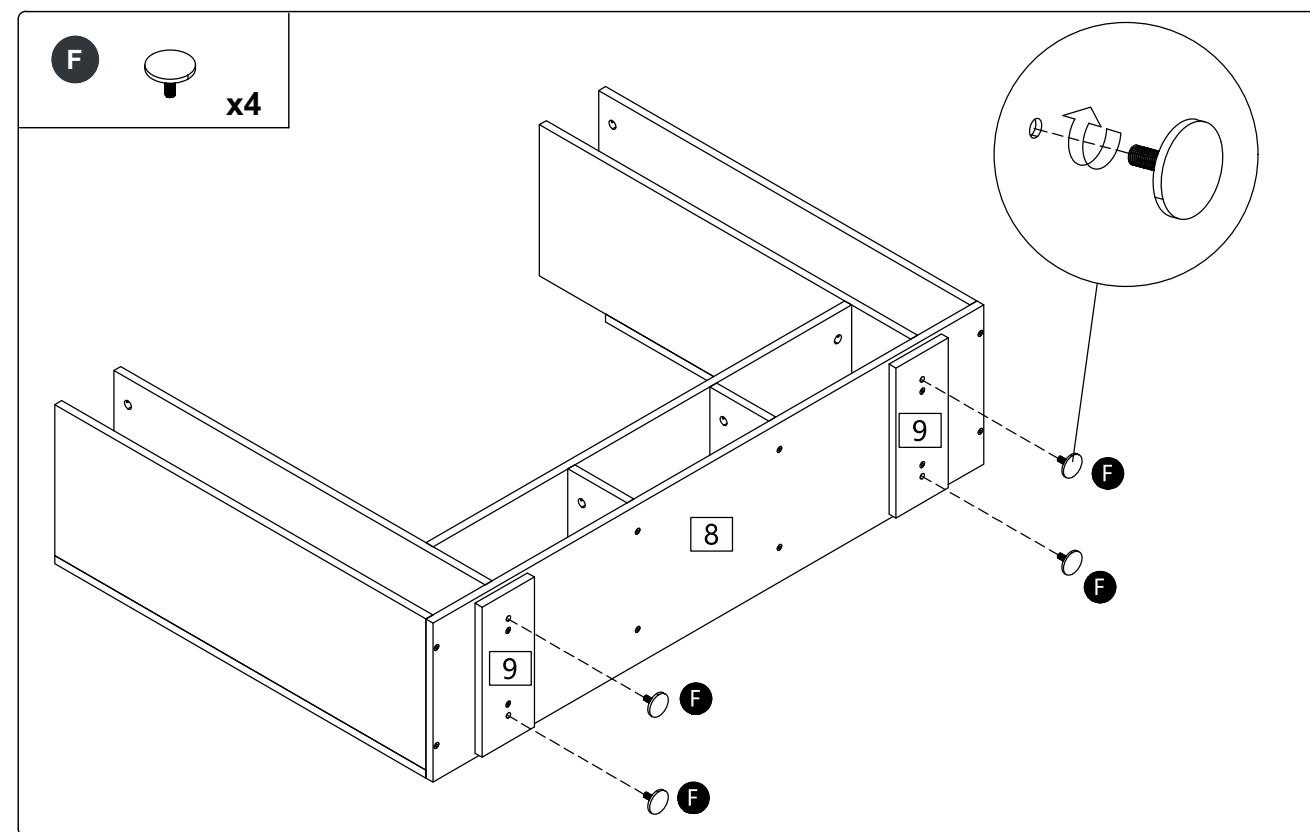
Insert the Wooden Dowel (C) into Parts (2), (3), (4), (5), and (7). Use Screw (D) to secure Part (8) to Parts (2), (3), (4), (5), and (7).

## Step 15



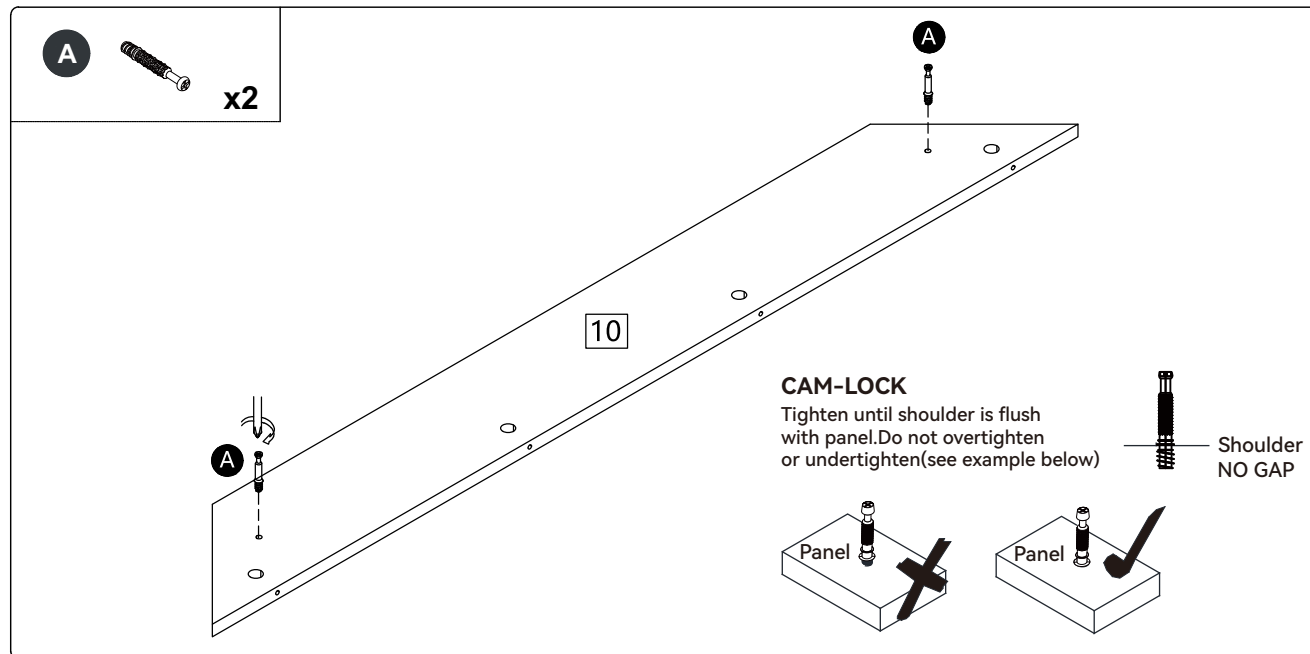
Use Screw (E) to lock two pieces of part (9) to part (8).

## Step 16



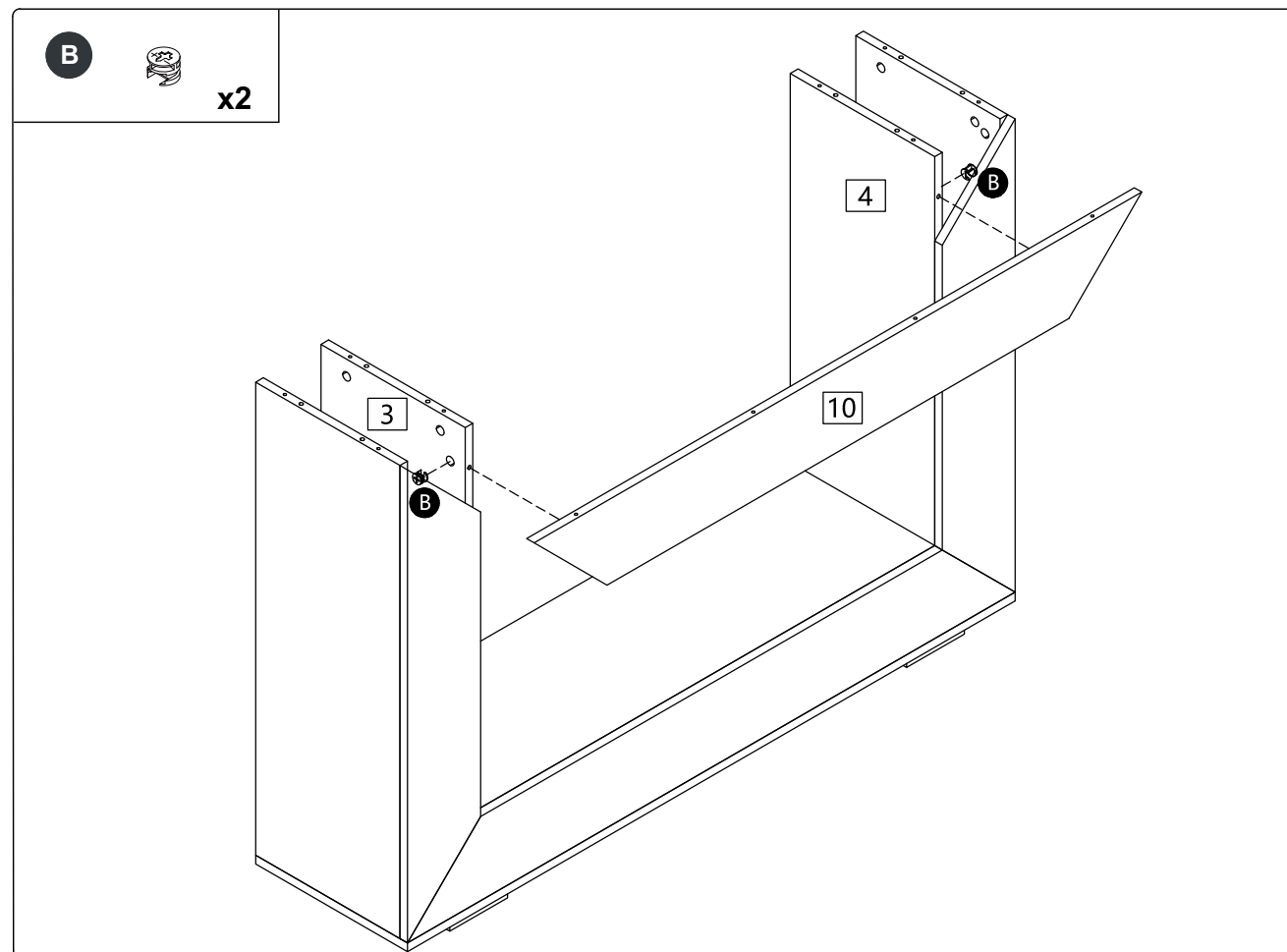
Screw the Adjustable Foot (F) into Part (9). You may adjust the knob according to the floor height to achieve balance.

## Step 17



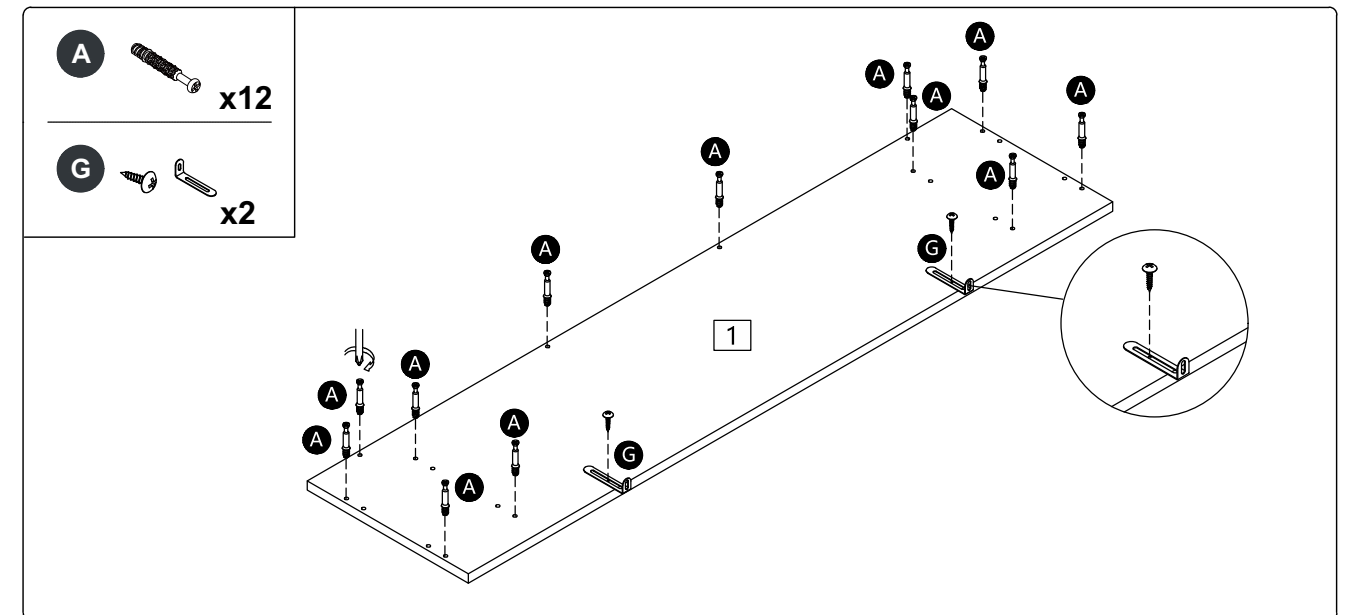
Install the Cam Bolt (A) onto Part (10).

## Step 18



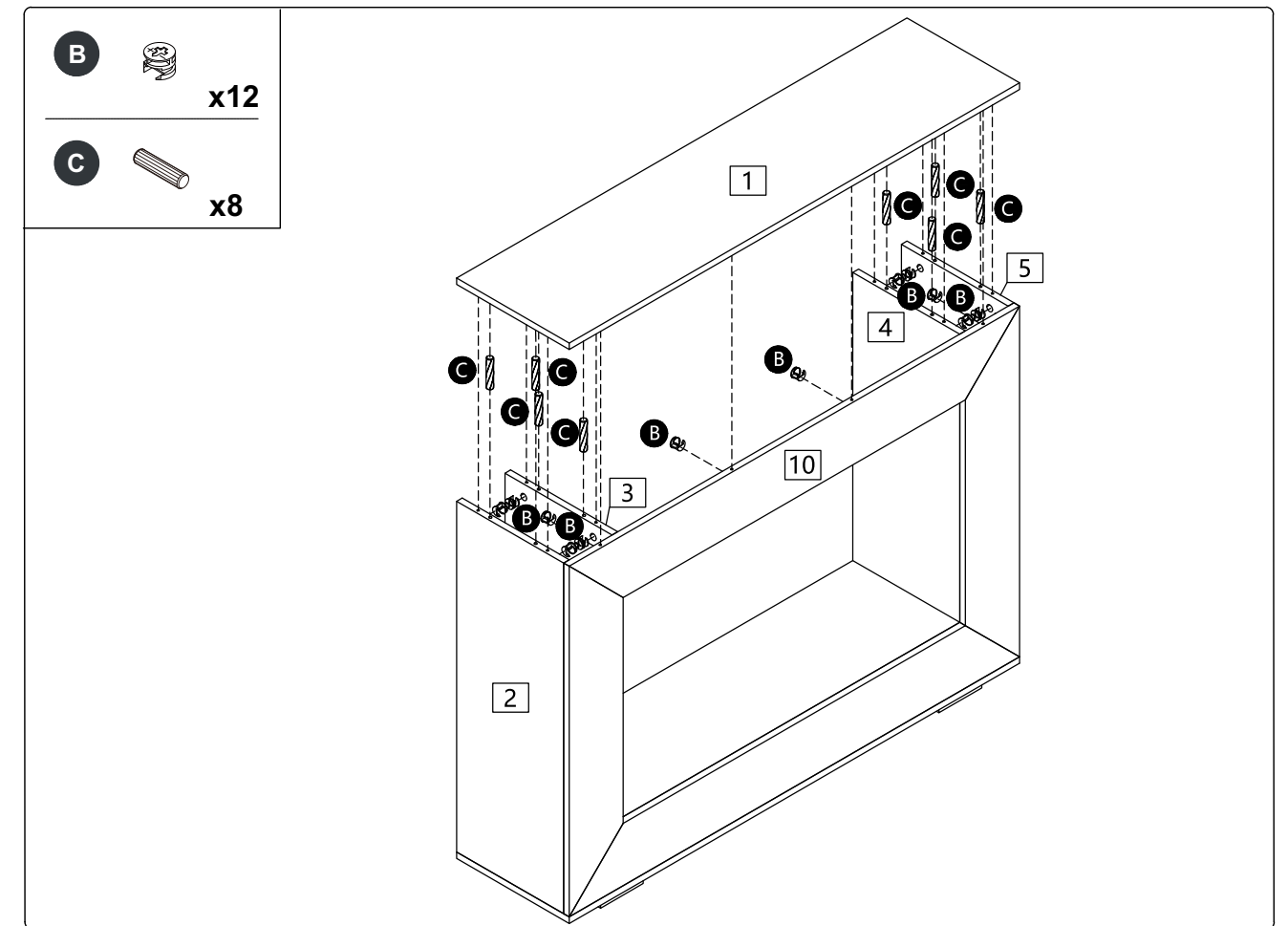
Connect Part (10) to Parts (3) and (4), and secure with the Cam Lock (B).

## Step 19


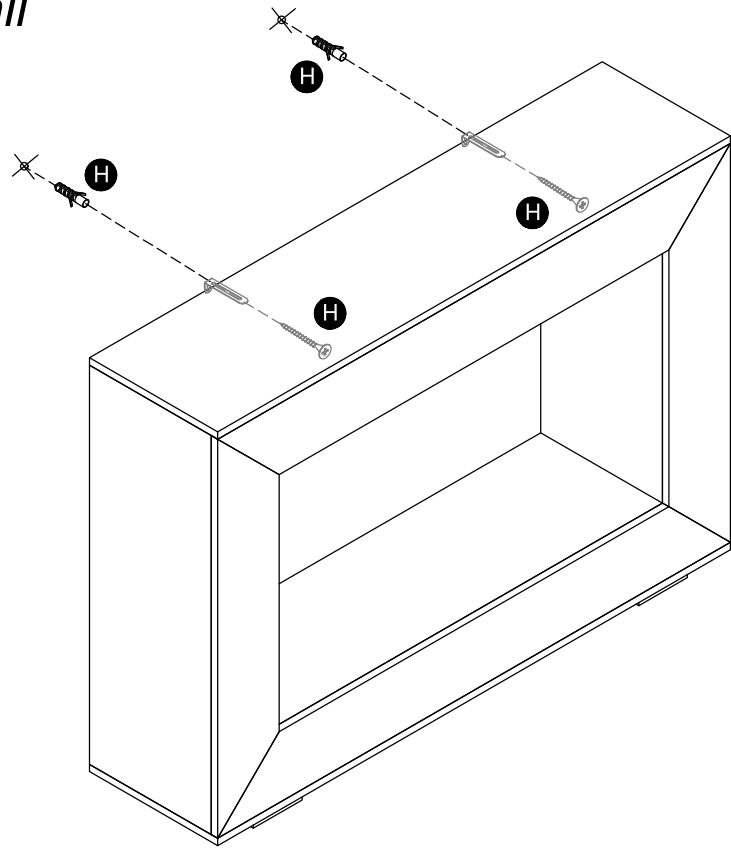


1. Install the Cam Bolt (A) onto Part (1).
2. Install the L-shaped Metal Plate onto Part (1) using Screw (G).

## Step 20



Insert the Wooden Dowel (C) into Parts (2), (3), (4), and (5), connect Part (1) to Parts (2), (3), (4), (5), and (10), and secure with the Cam Lock (B).

**Step 21**  
x2*wall*

First, use an electric drill to make holes in the wall.

Next, hammer the Expansion Plug (H) into the holes in the wall.

Insert Screw (H) through the hole of the Anti-tip L-shaped Metal Plate, and tighten it into the wall.

**Step 22**

Assembly is complete

