

Dining Table

Assembly Instructions

Safety and Care Advice

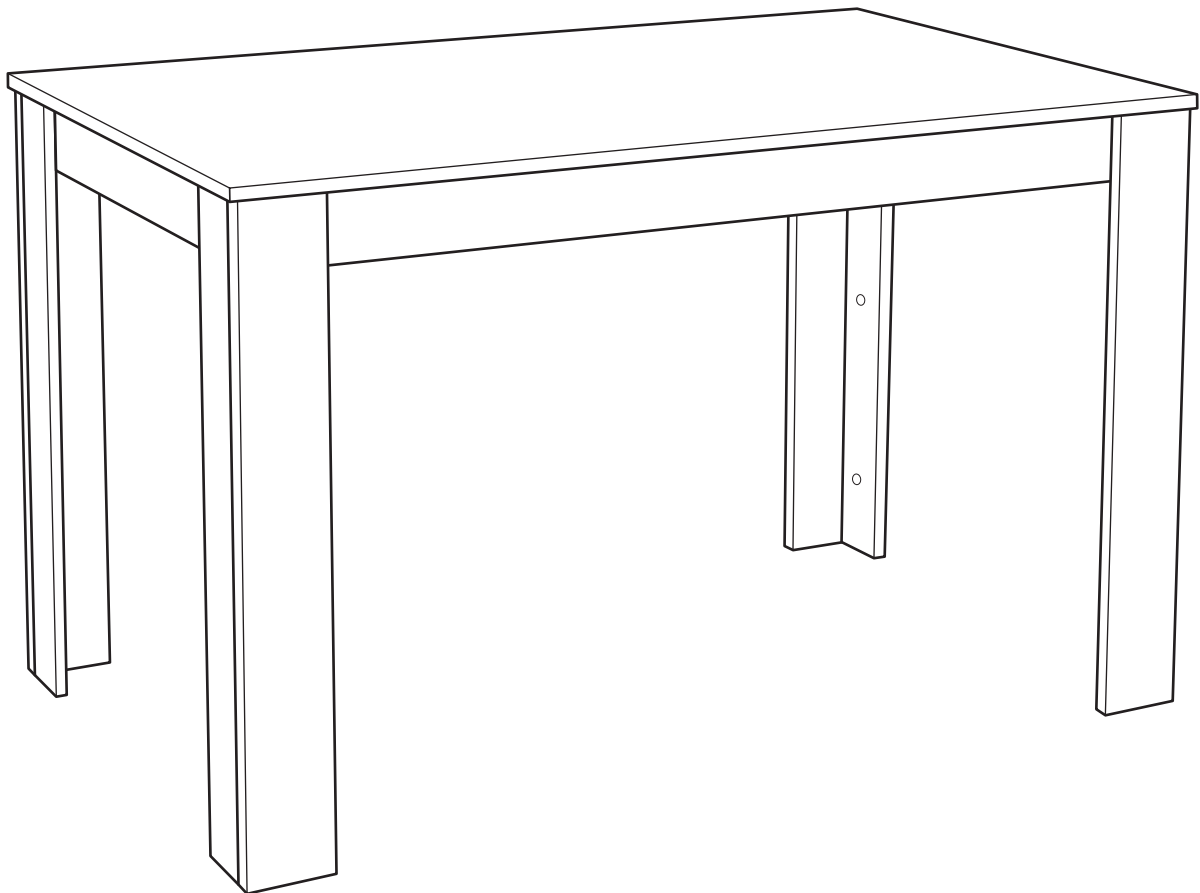
- Important: Please read these instructions fully before starting assembly.
- Do not discard any of the packaging until you have checked that you have all the parts and the pack of fittings.
- Discard all extra fittings and keep fittings out of reach of children.
- Assemble this product on a flat and protected surface.
- Assemble all parts and bolts loosely during assembly, only once the product is complete should you fully tighten the bolts.
- Assemble this product as close to its final position (in the same room) as possible.
- At least 2 people are required to assemble this product.

Warnings:

- This product should only be used on firm, level ground.
- Make sure the legs remain in contact with the ground.
- Do not stand on the product.

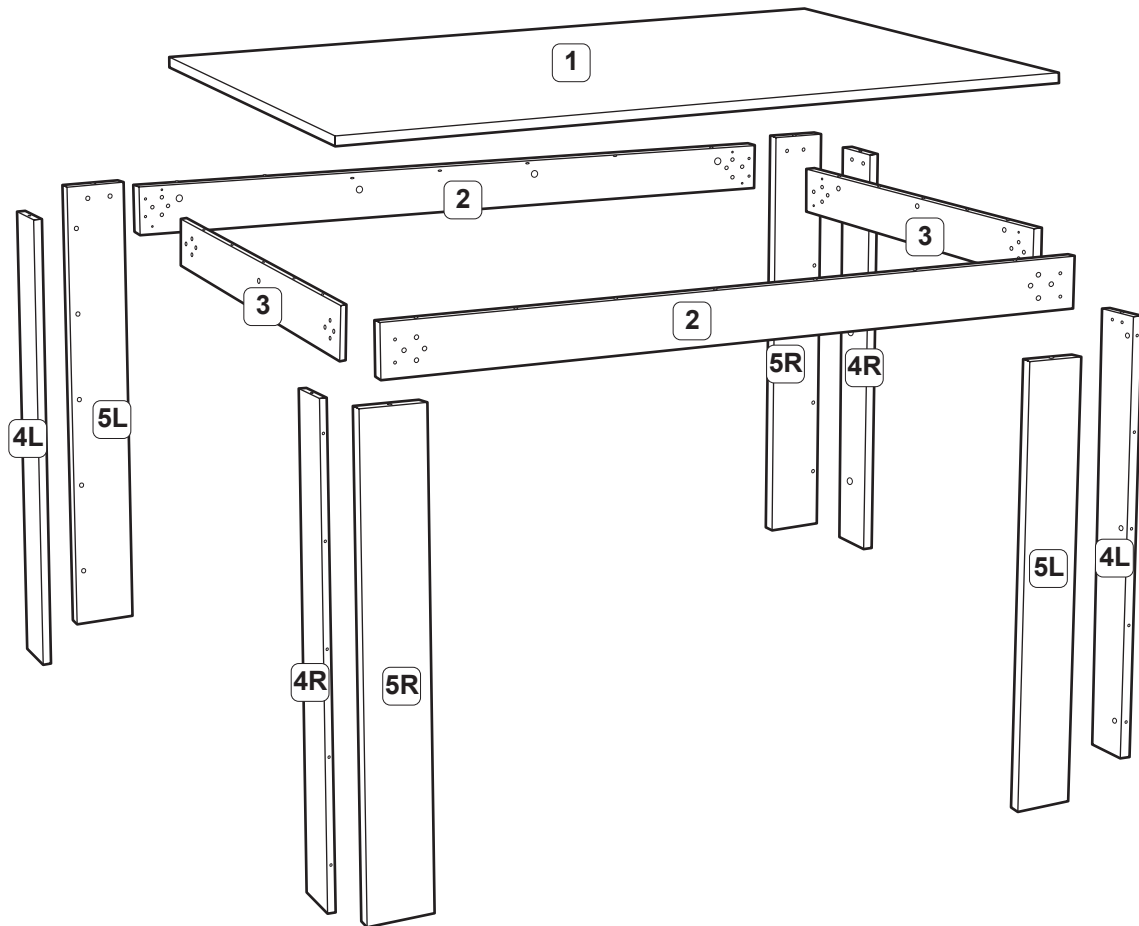
Care and maintenance:

- Please clean the product using either damp (not wet) cloth and a mild domestic soap solution or by using an appropriate polish.
- Do not use abrasive materials when cleaning.
- From time to time, check that there are no loose bolts on this unit.

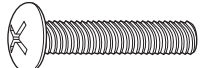
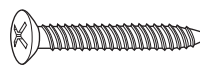

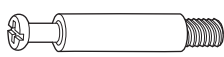

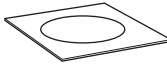

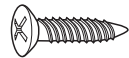


Parts List

- | | | |
|------------------------------------|-------------------------------|-----------------------------|
| 1 TOP PANEL - 1 pc. | 4L NARROW LEG - 2 pcs. | 5R WIDE LEG - 2 pcs. |
| 2 LONG SIDE PANEL - 2 pcs. | 4R NARROW LEG - 2 pcs. | |
| 3 SHORT SIDE PANEL - 2 pcs. | 5L WIDE LEG - 2 pcs. | |



Fittings List

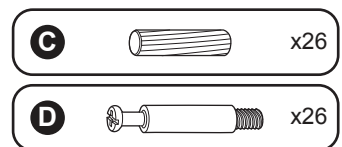
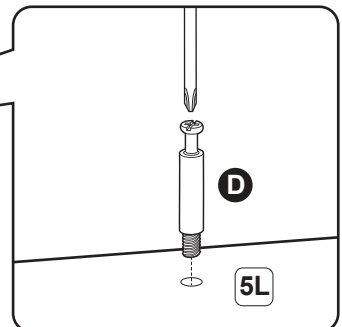
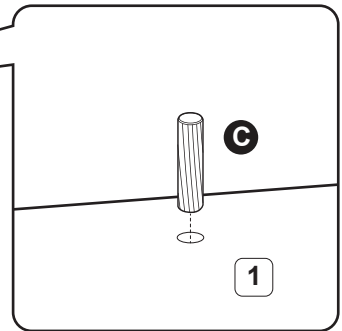
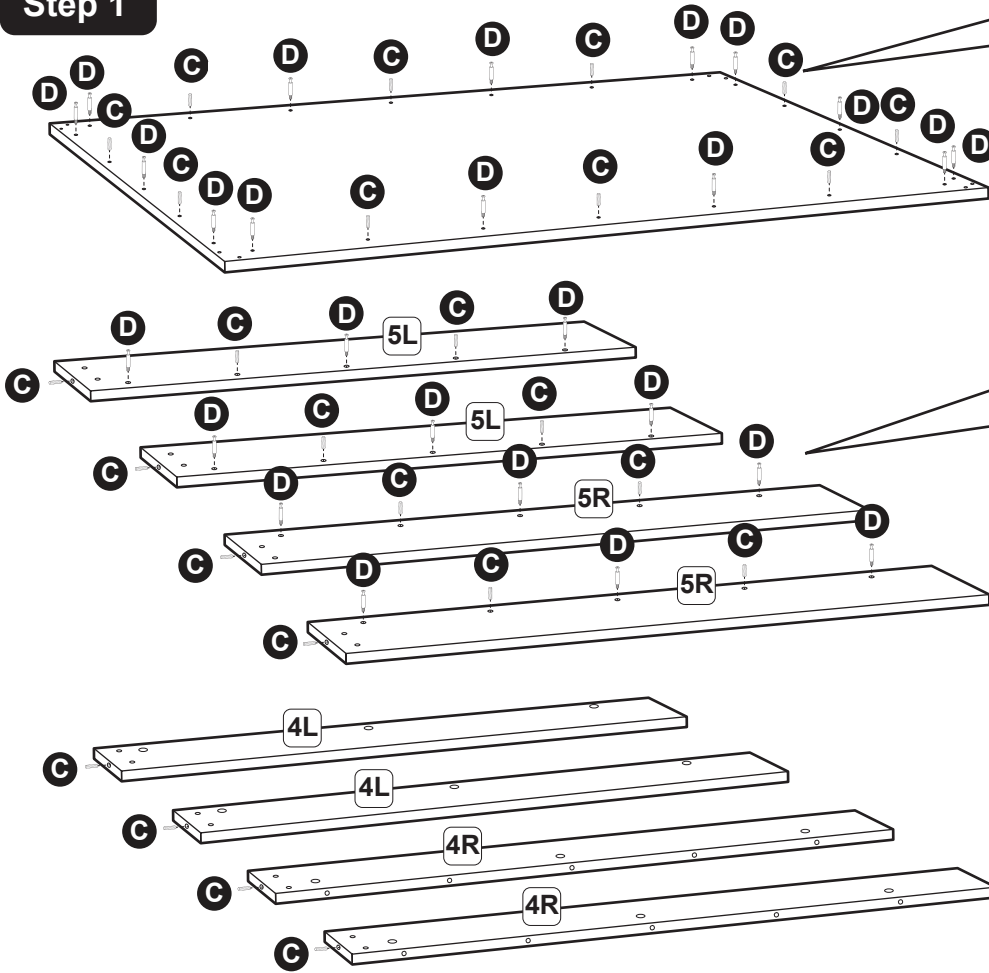
A  25mm BOLT x 16	B  30mm SCREW x 24	C  DOWEL x 26
D  CAM BOLT x 26	E  CAM LOCK x 26	F  ADHESIVE PAD x 12
G  BRACKET x 8	H  15mm SCREW x 16	

Additional tools required

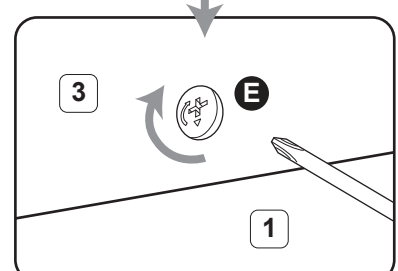
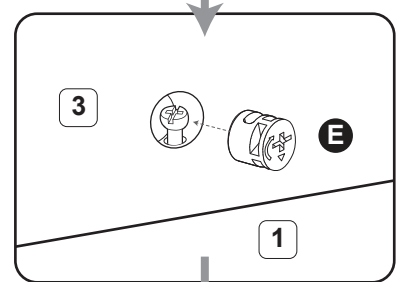
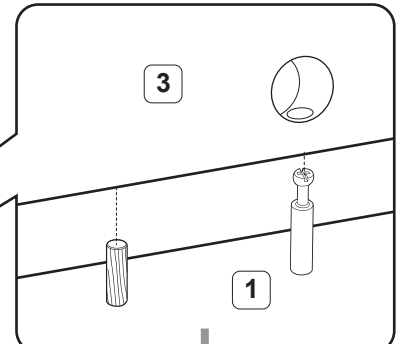
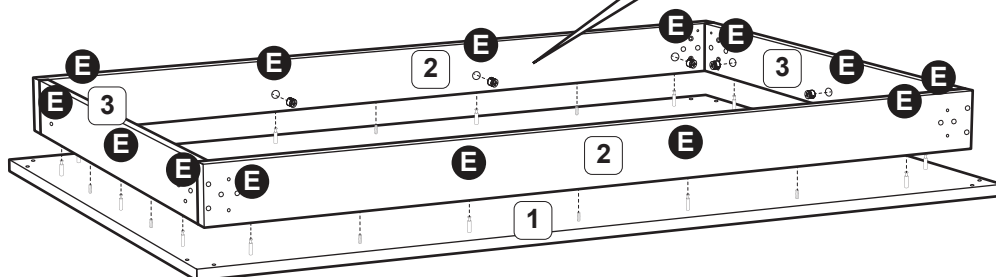


CROSSHEAD SCREWDRIVER

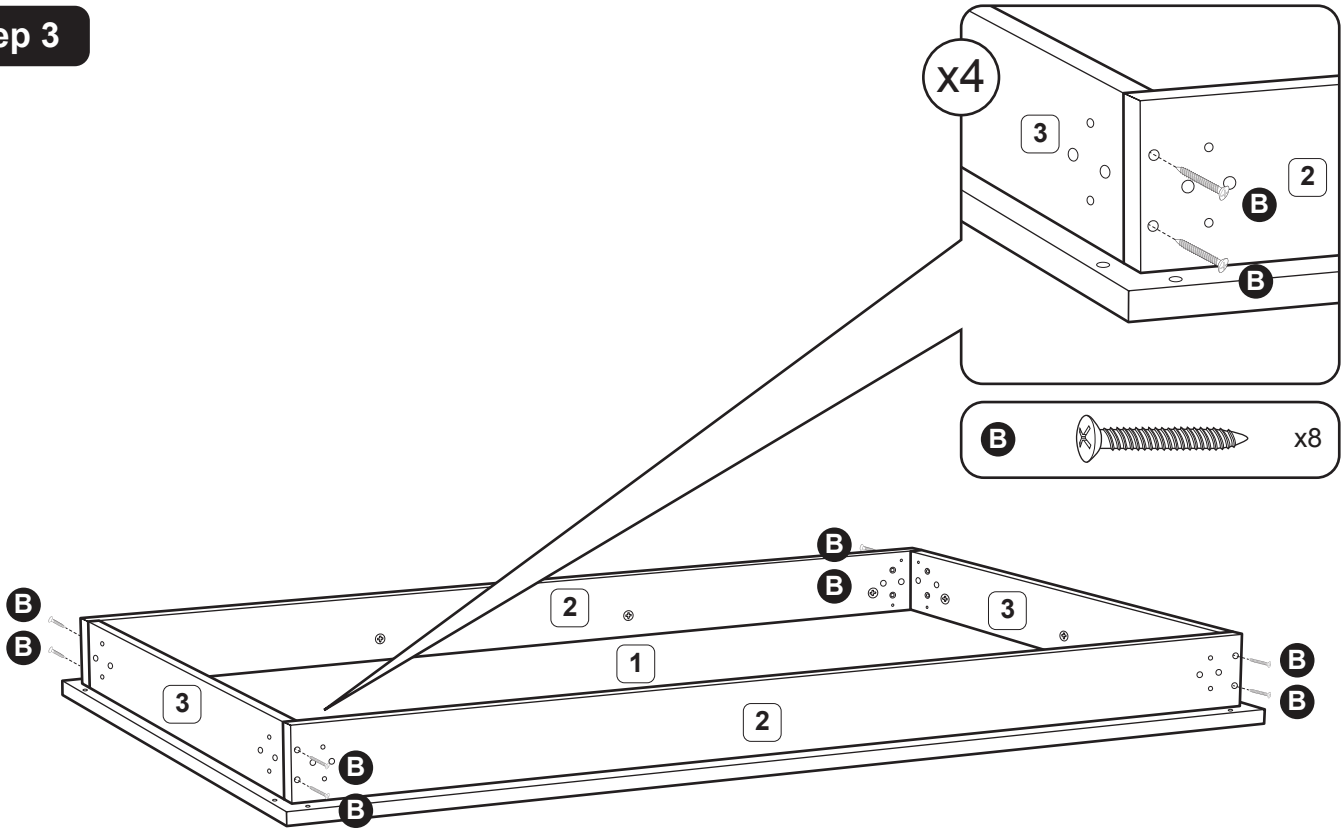
Step 1



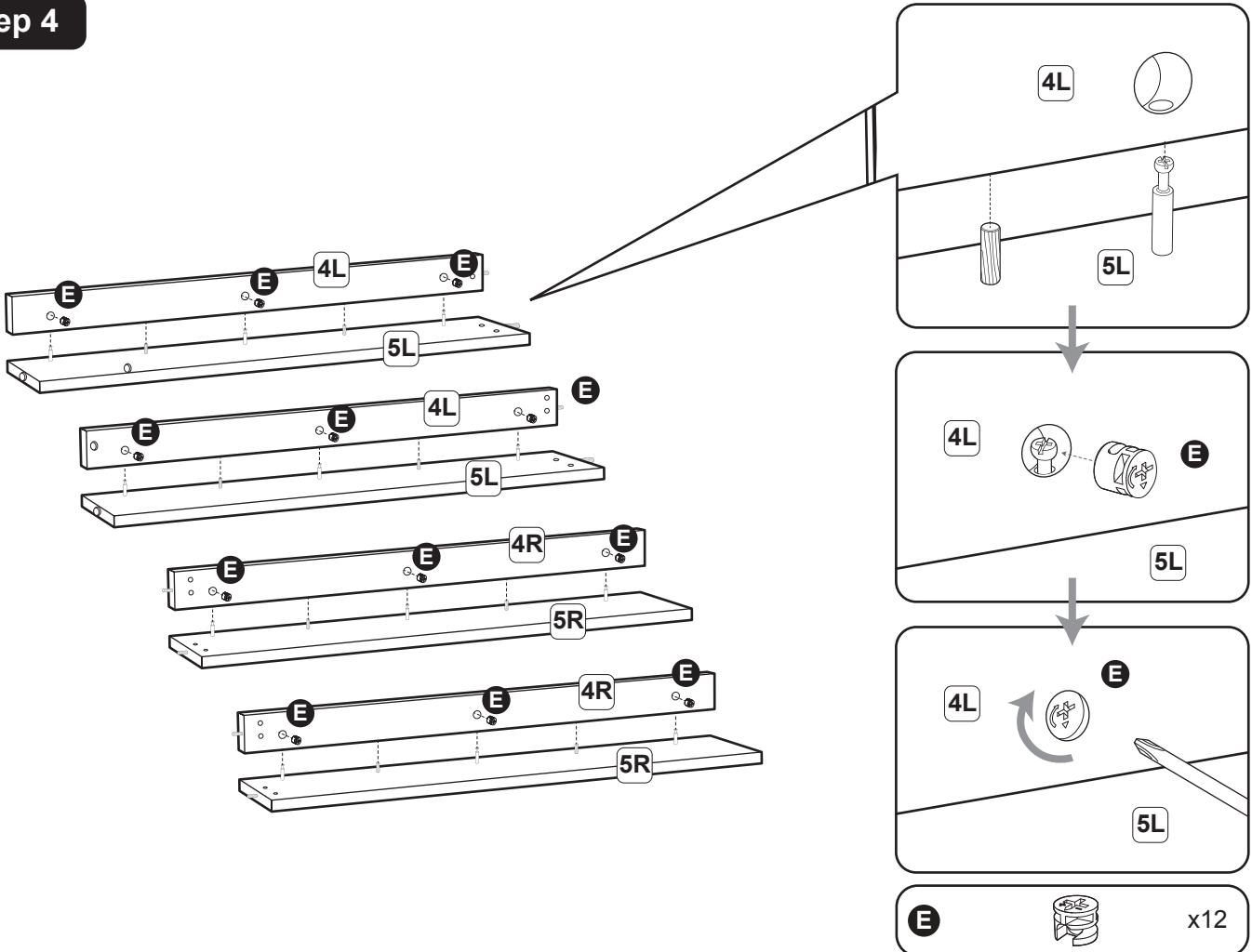
Step 2



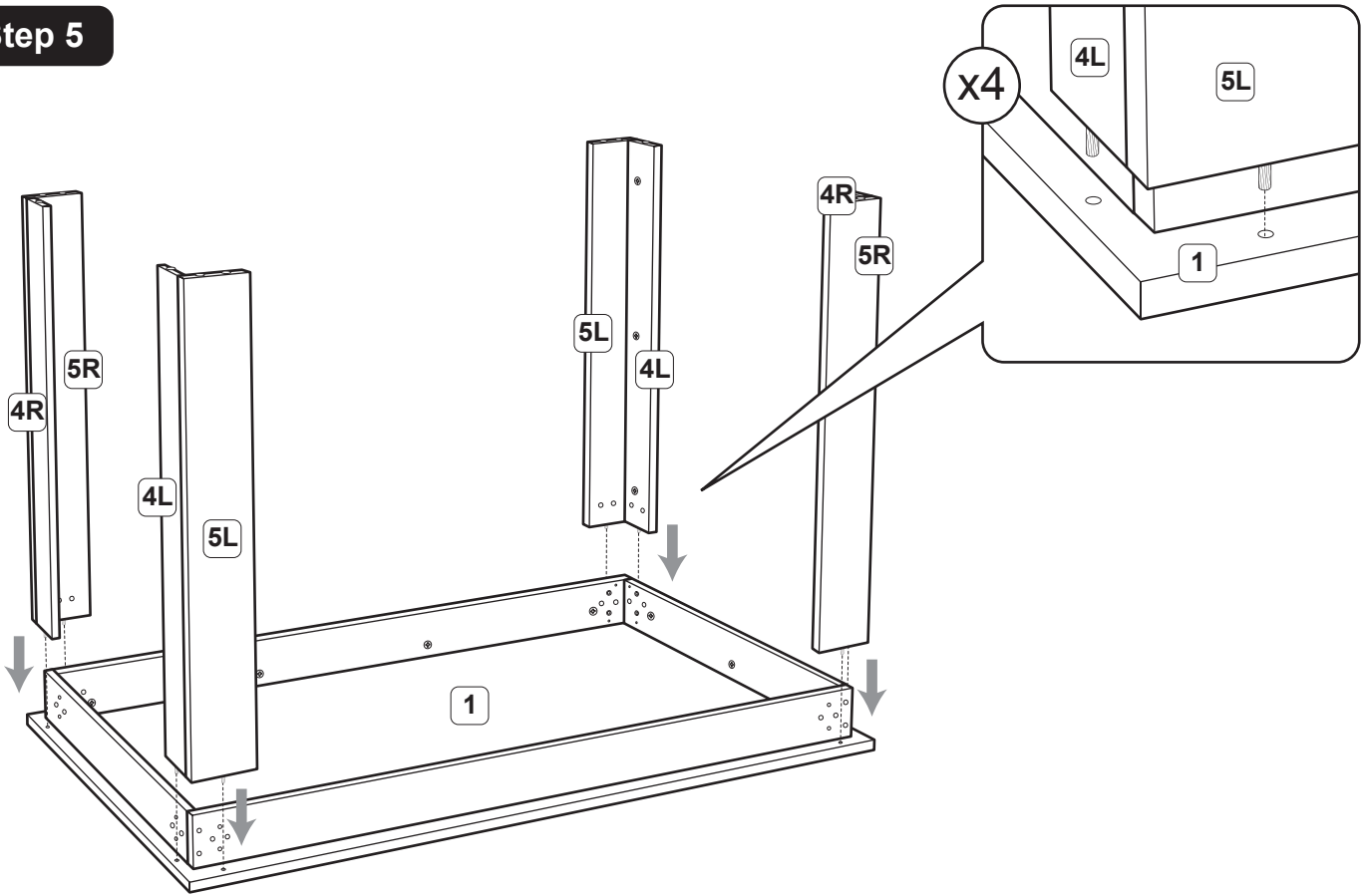
Step 3



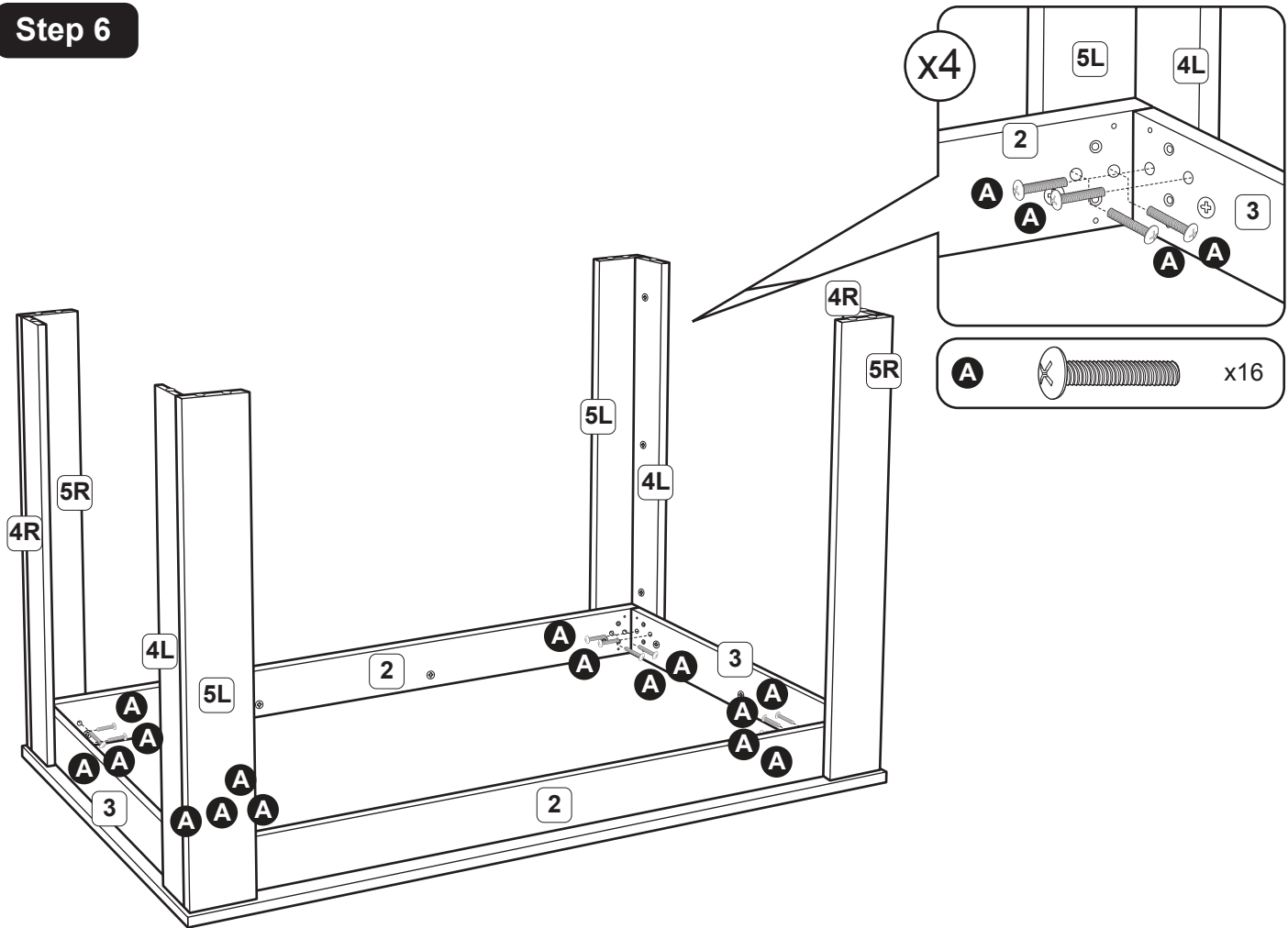
Step 4



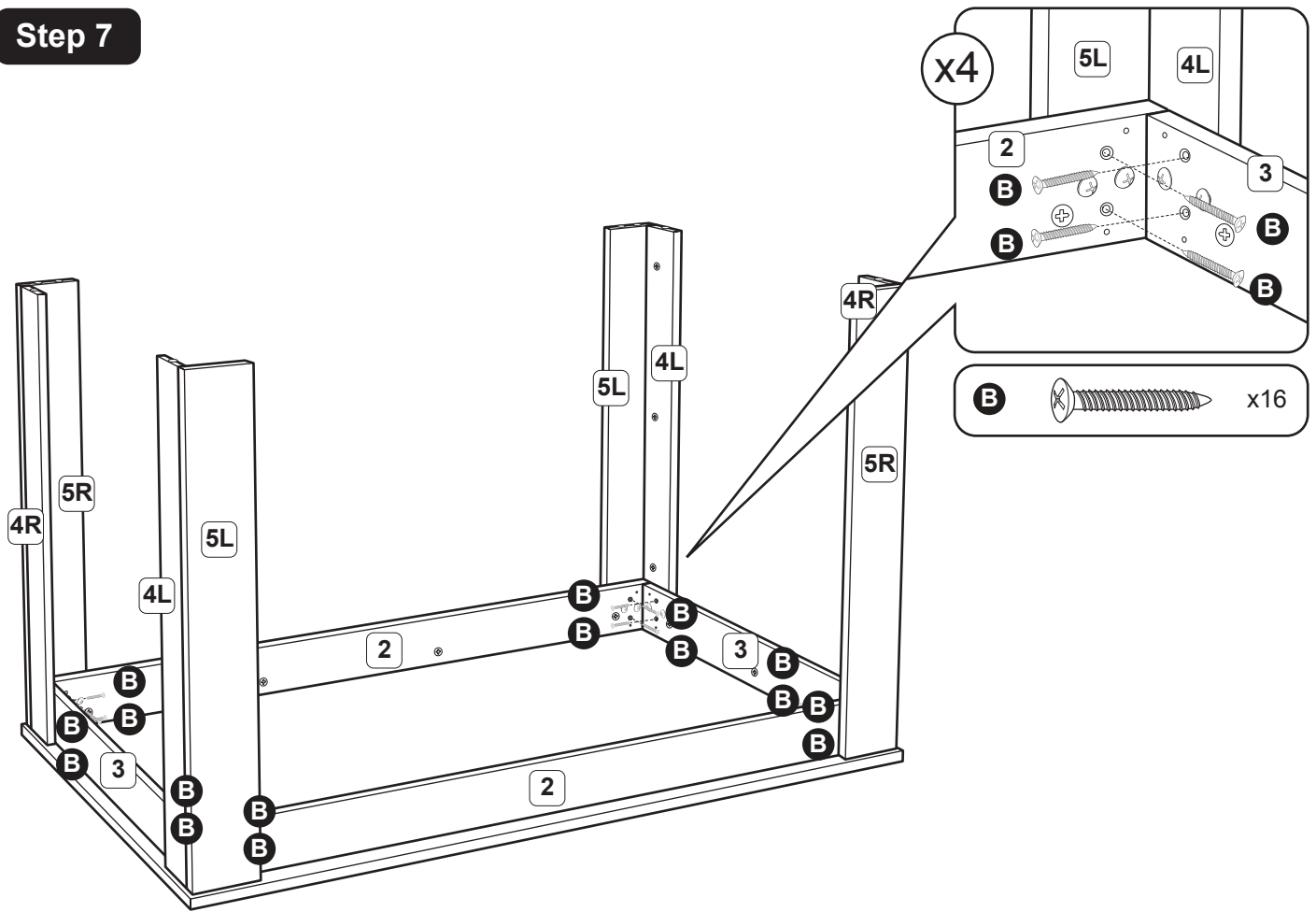
Step 5



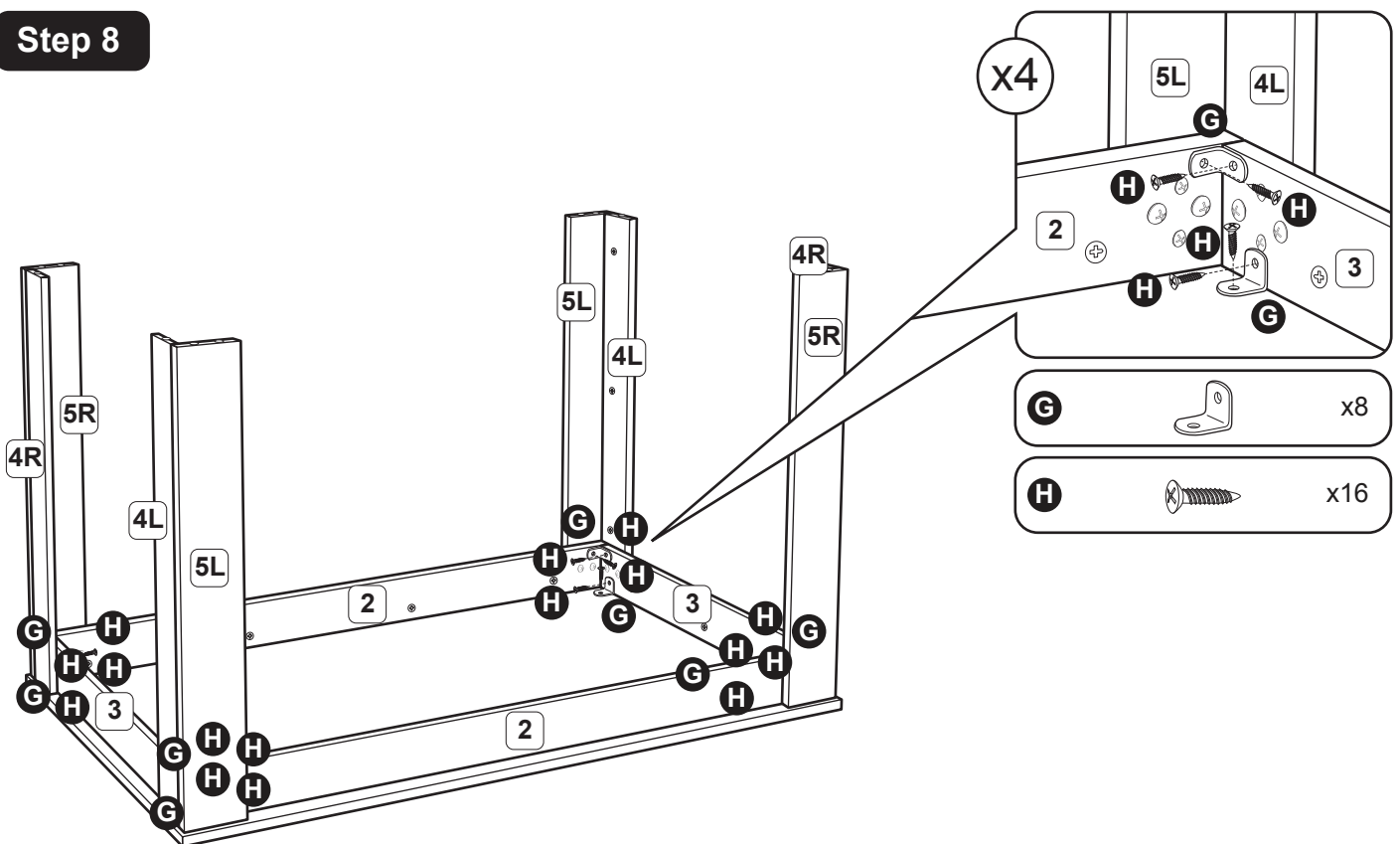
Step 6



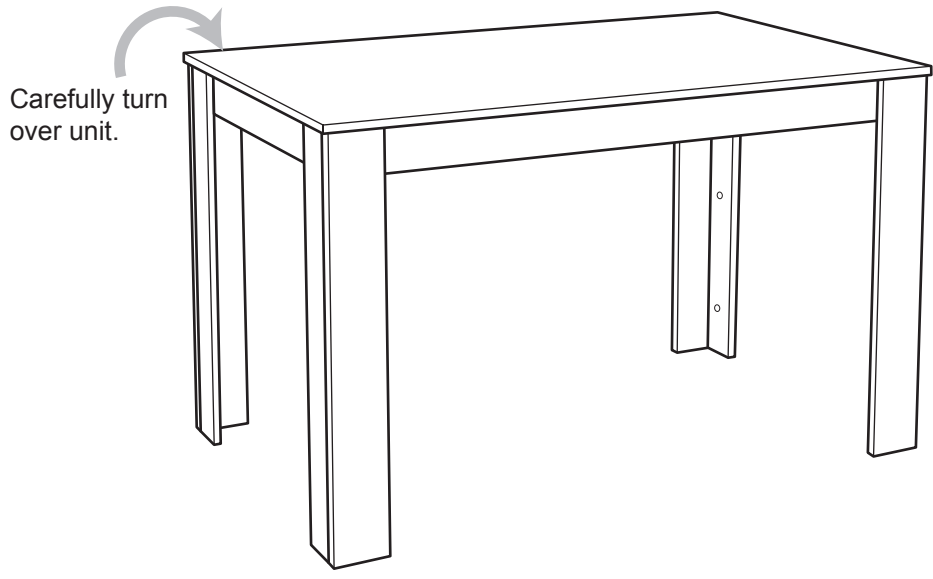
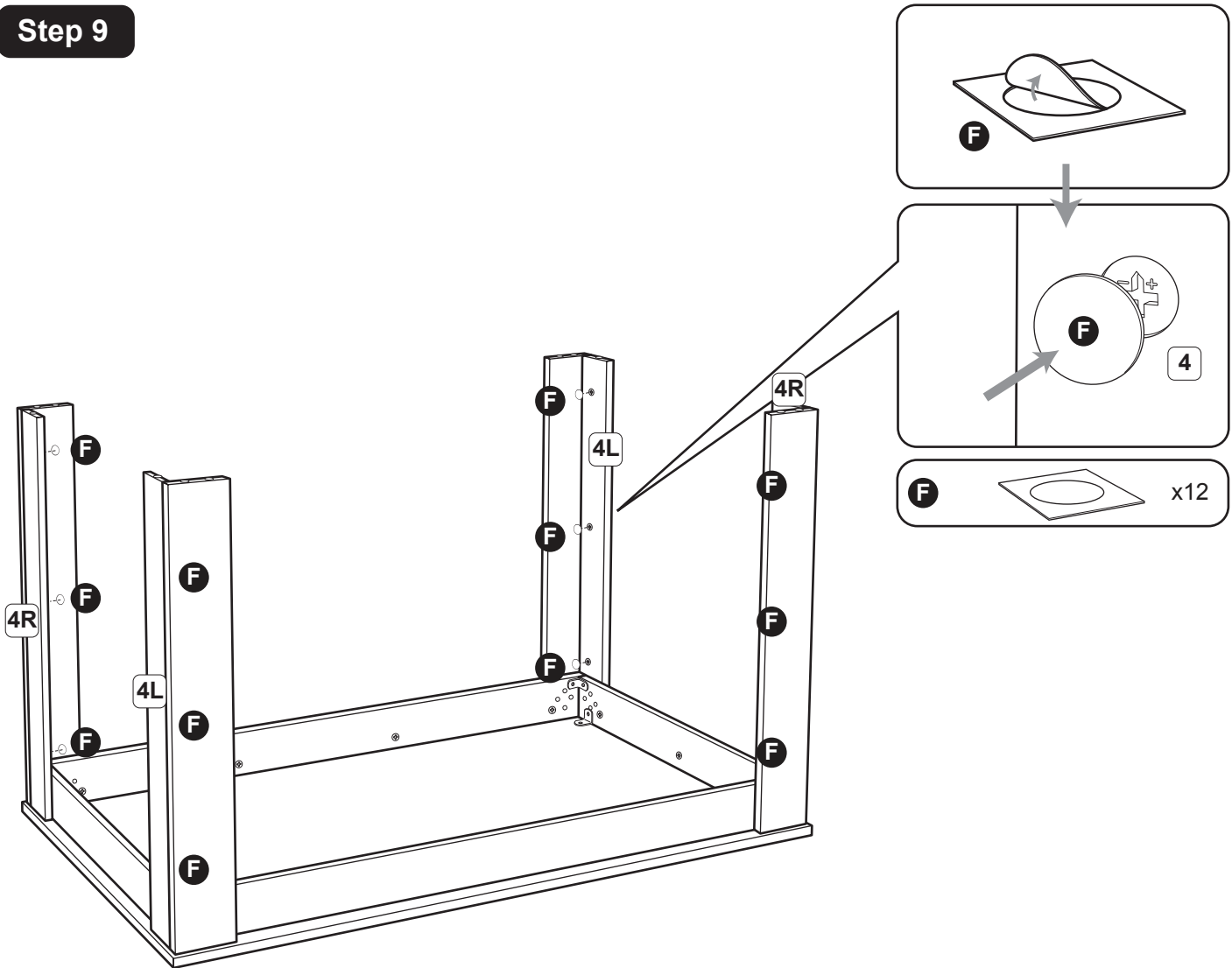
Step 7



Step 8



Step 9



Note: At least two persons are required to lift the unit.

Assembly is complete.