

Assembly Guide

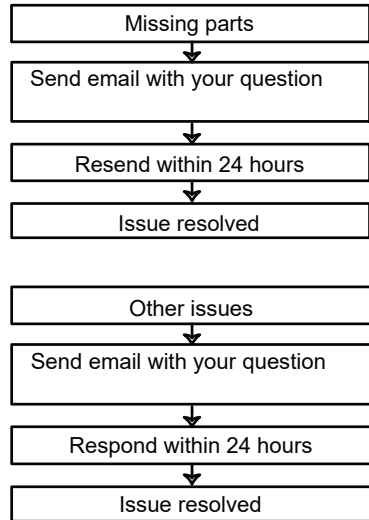
Tips!

Check all the components & screws before assembly. **Do not install in case part is missing, contact us to get. Send email with your question. We will resend within 24 hours.**

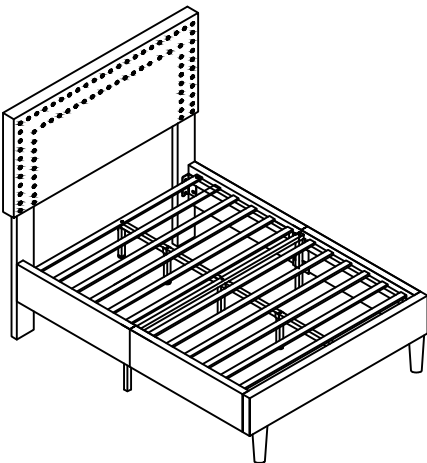
Return Policy

We believe you will absolutely love your new item. But if for some reason you want to return, please contact us directly before you decide to return your product. Our customer service organization can answer most concerns and assist you with any questions you may have about your new item, please email us first. The item must be returned within 30 days of delivery for a full refund. The item must be returned in good condition, in original box, with all original proof of purchase, parts and accessories.

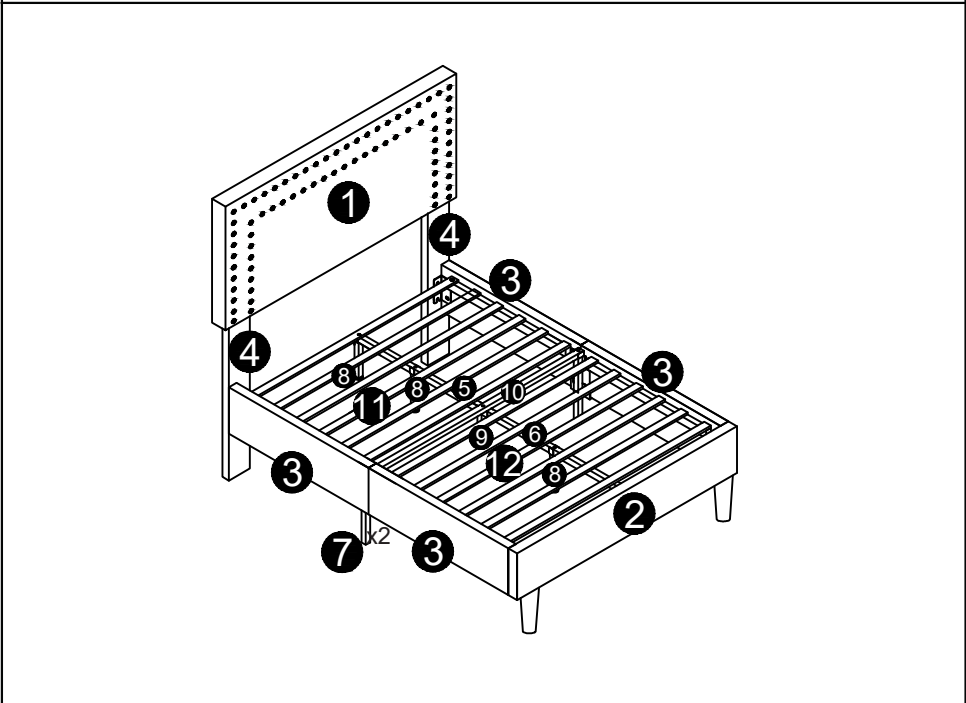
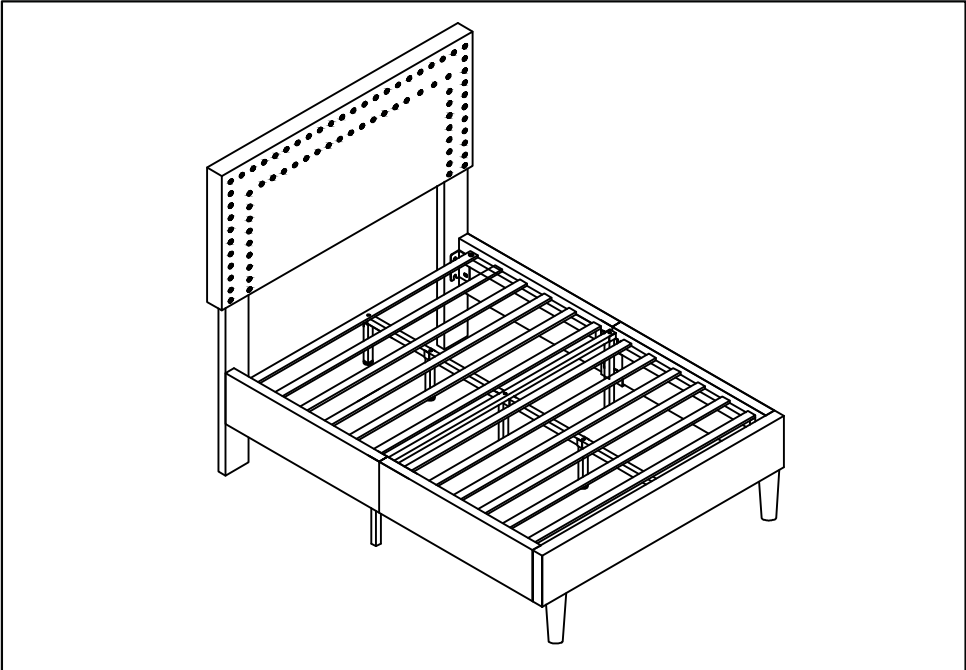
Trouble shooting:

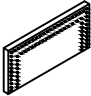


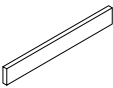
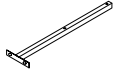
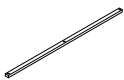
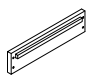

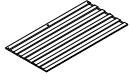


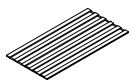











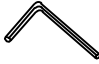
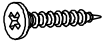

We control manufacturing and distribution ourselves, ensure the quality.



Item Description: Bed Frame



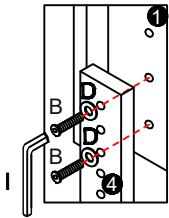
1		1	5		1	9		1
2		1	6		1	10		1
3		4	7		2	11		1
4		2	8		3	12		1

<p>A</p>	 <p>Bolt M8 x 25</p>	<p>2</p>	<p>A-1</p>	 <p>Preinstalled on components Bolt M8 x 25</p>	<p>4</p>
<p>B</p>	 <p>Bolt M8 x 45</p>	<p>4</p>	<p>C</p>	 <p>Bolt M8 x 45</p>	<p>5</p>
<p>D</p>	 <p>Spacer</p>	<p>4</p>	<p>E</p>	 <p>Angle iron</p>	<p>2</p>
<p>F</p>	 <p>Foot</p>	<p>2</p>	<p>G</p>	 <p>Angle iron (Left)</p>	<p>1</p>
<p>H</p>	 <p>Angle iron (Right)</p>	<p>1</p>	<p>I</p>	 <p>Allen Key M5</p>	<p>1</p>
<p>J</p>	 <p>Screw M4 x 25</p>	<p>2</p>	<p>L-1</p>	 <p>Preinstalled on components Bolt M8 x 18</p>	<p>22</p>

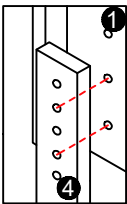
Step 1

	Bx4		Dx4		Ix1
--	-----	--	-----	--	-----

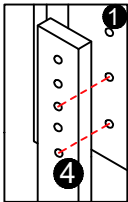
Each pair of holes corresponds to a mattress thickness as shown below



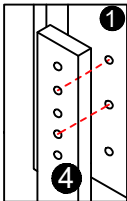
Use these holes to fit a 12 inch thick mattress (47.6 inch tall overall)



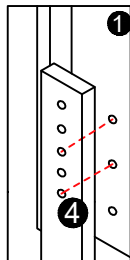
Use these holes to fit a 10 inch thick mattress (45.6 inch tall overall)



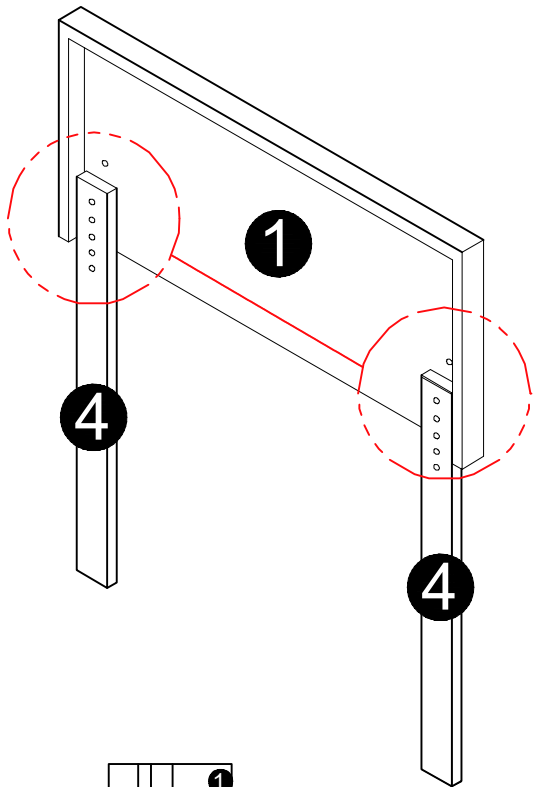
Use these holes to fit a 8 inch thick mattress (43.6 inch tall overall)







Use these holes to fit a 6 inch thick mattress (41.6 inch tall overall)

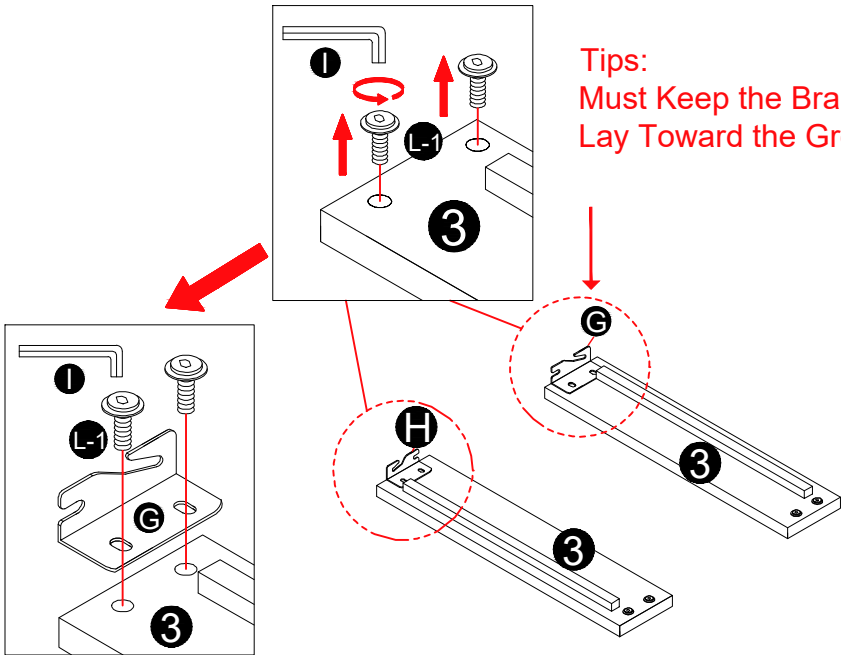


Use these holes to fit a 4 inch thick mattress (39.6 inch tall overall)






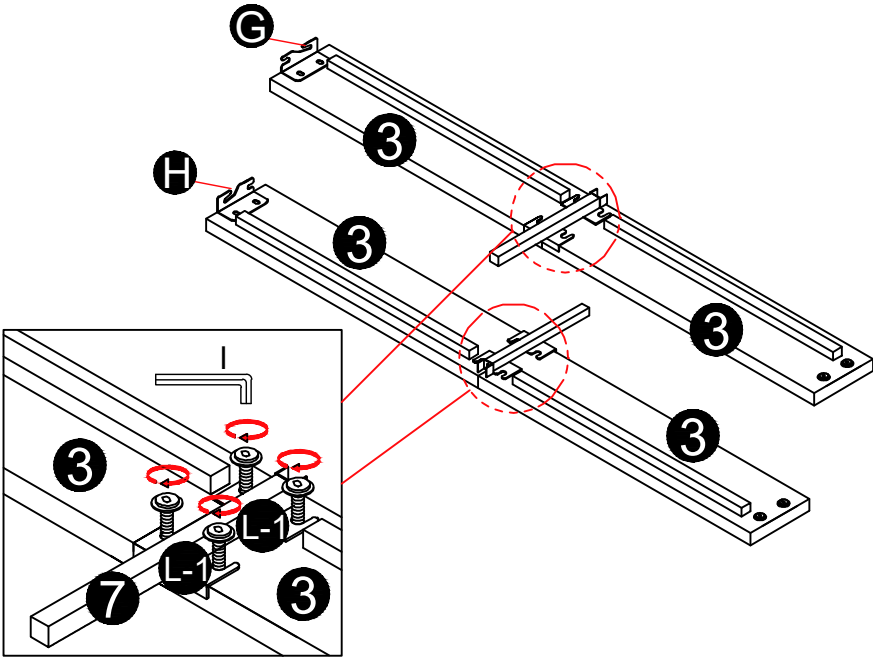
Step 2

-  L-1 x 4
-  Gx1
-  Hx1
-  Ix1



Step 3

	L-1 x 8		7x2		1x1
--	---------	--	-----	--	-----



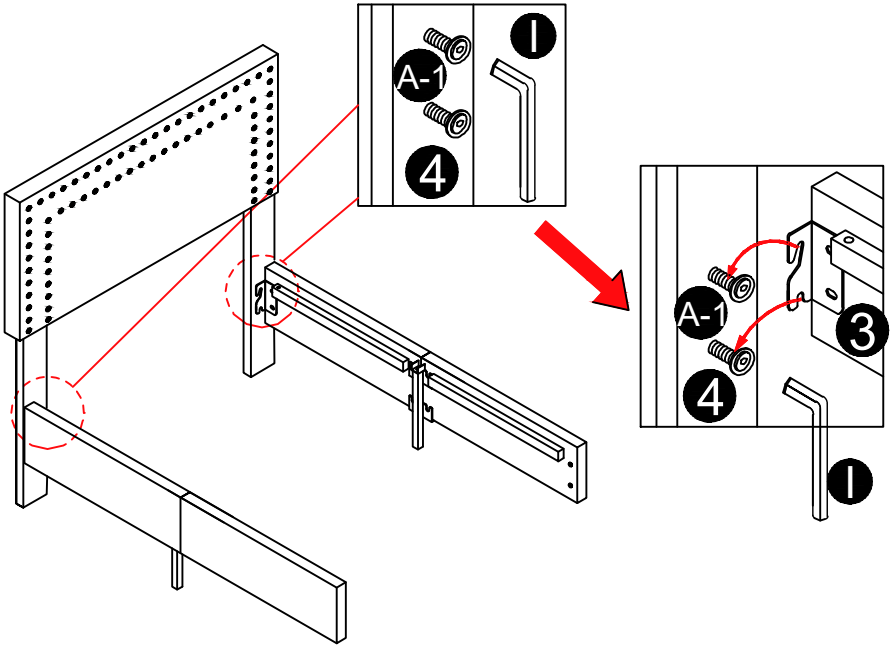
Step 4



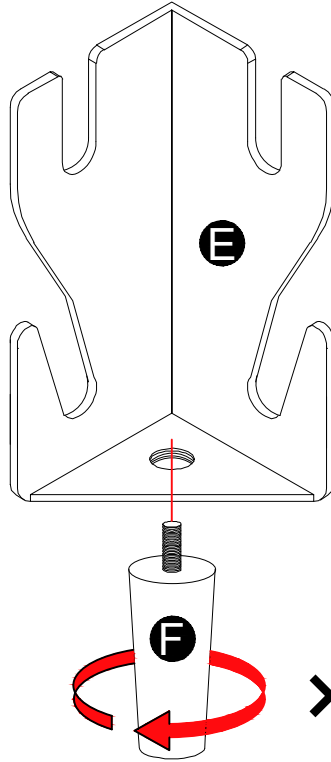
A-1 × 4





1x1

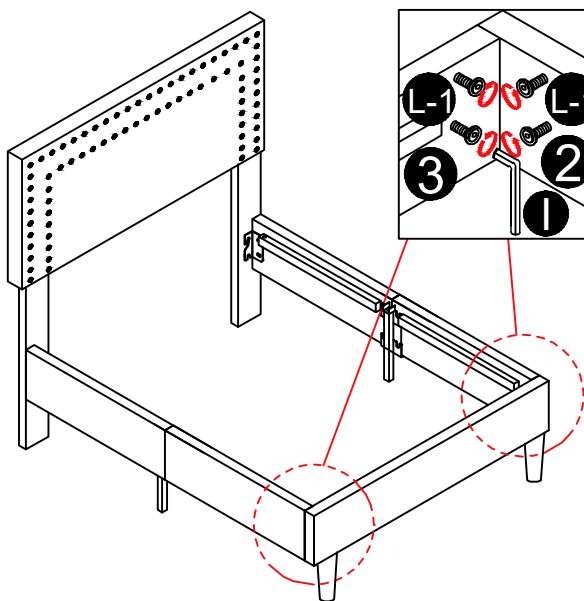


Step 5

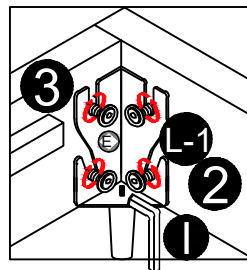
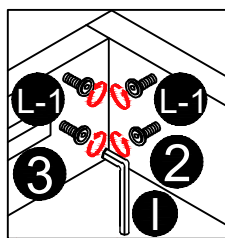


Step 6




 L-1 x 8  1 x 1



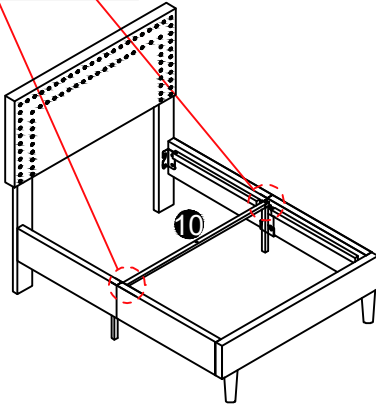
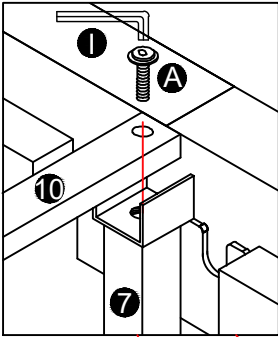
Tips:
Loose the Preinstalled
4 Screws for leg
Installation, and Then
Tighten Them Again.



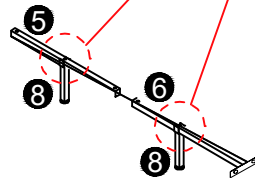
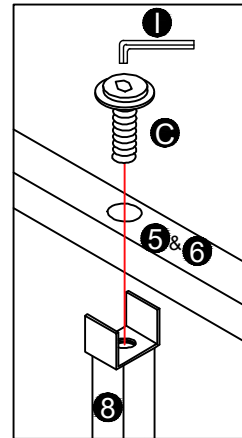
Step 7

	Ax2		Cx2		Ix1
--	-----	--	-----	--	-----




7-1



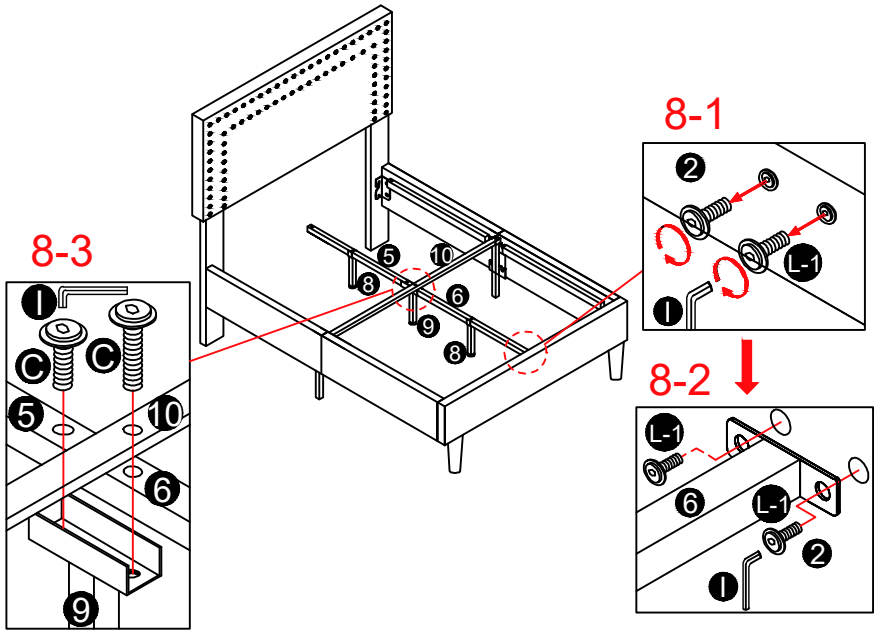
7-2



Step 8

	L-1 x 2		Cx2		1 x 1
--	---------	--	-----	---	-------

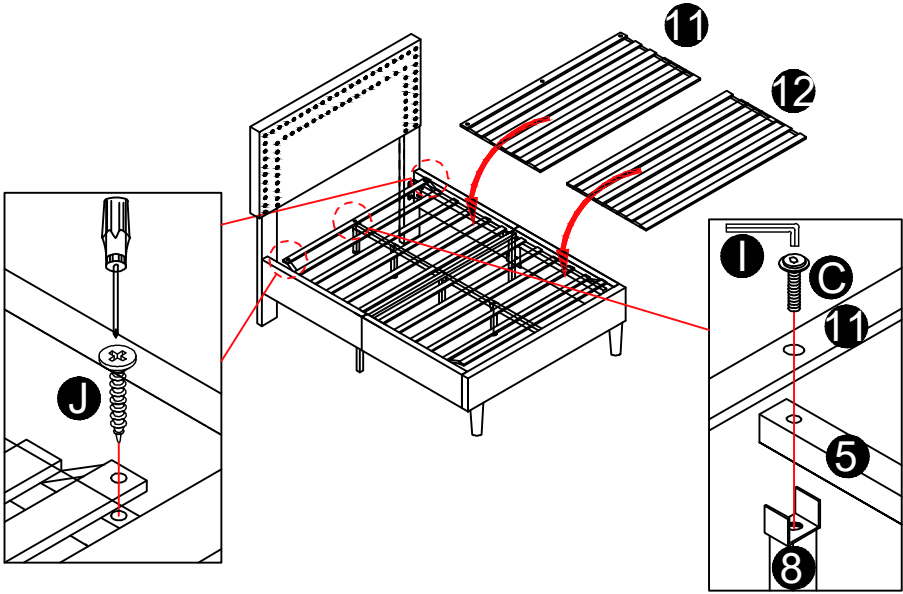
Unscrew the original screw



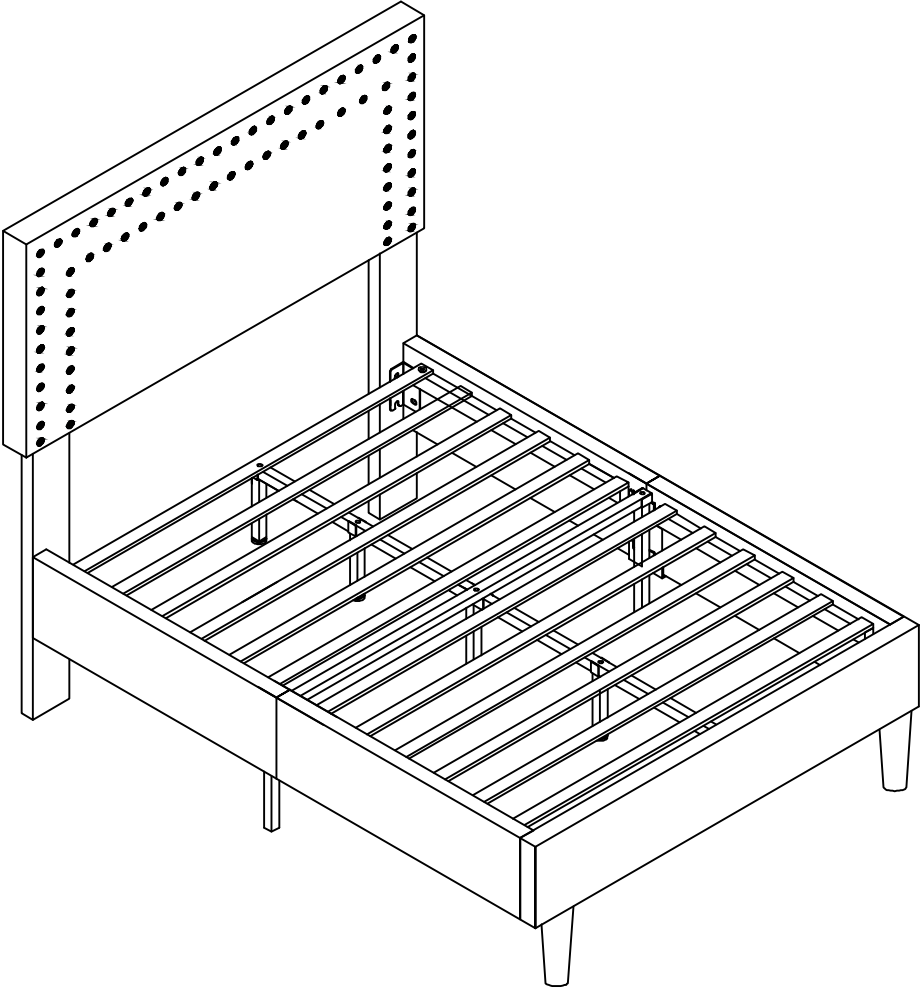
Tighten the original screw

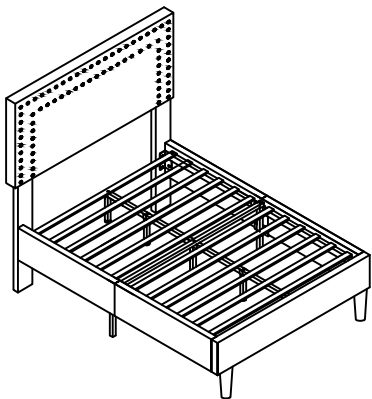
Step 9

-  Cx1
-  Jx2
-  lx1



Step 10 Check and tighten all screws





Bed-Frame