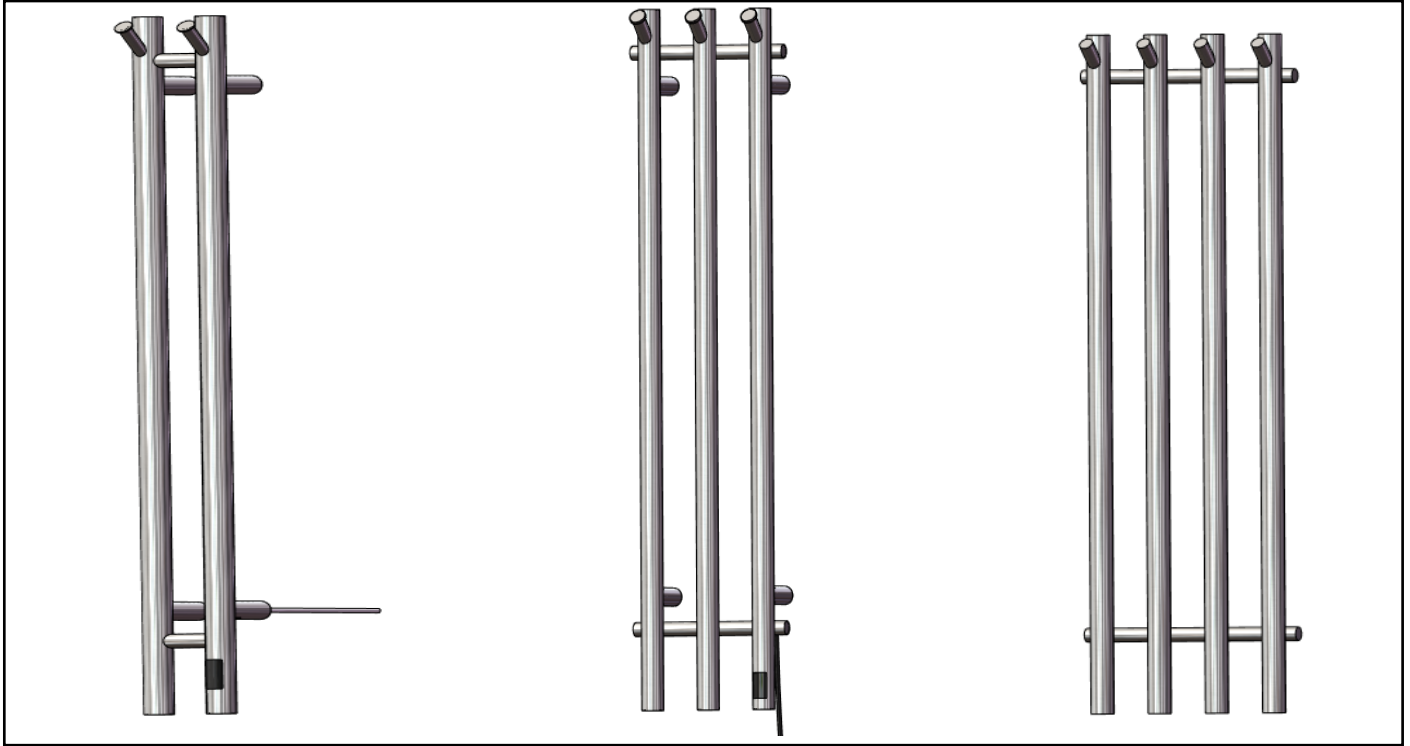


# INSTRUCTION MANUAL

Model Number	FR-DR-S03R	FR-DR-S03R	FR-DR-S04R
Rated Power	65W	100W	140W
Rated Voltage	110*130V~ 60Hz	110*130V~ 60Hz	110*130V~ 60Hz
Dimensions (mm )	950*190*80mm	950*190*80mm	950*300*80mm



## 1. Basic description:

1.1. Power specifications: AC230V/50HZ

1.2. Operating Temperature Range: 32 °F - 131 °F (0-55 °C)

1.3. Settable Temperature Range : 86 °F - 158 °F (30-70 °C

)

(The displayed temperature is not the actual surface temperature of the towel warmer. When the

The displayed temperature is 60°C, a surface temperature between 45–55°C is considered normal. )

1.4 BOOST Mode : Heats for a set time in 1-hour increments.

1.5. System modes: Constant temperature mode, BOOST mode

## 2. Digital display instructions

2.1. Shutdown state : The digital display will be off. show as shown in the picture.

2.2. Constant temperature mode:

adjustable temperature from 86 °F - 158 °F (30 °C - 70 °C) heating (flashing at the selected box) as shown in the figure.

### 3. Operating instructions

#### 1. Basic Description

- Power: AC 230V / 50Hz
- Operating Temperature Range: 32 °F - 131 °F (0-55°C)
- Settable Temperature Range: 86 °F - 158 °F (30-70°C)
  - Note: The displayed temperature is not the actual surface temperature. A surface temperature of 113 °F- 131 °F (45–55°C) is normal when the display shows 140°F (60°C).
- BOOST Mode: Heats for a set time in 1-hour increments.
- System Modes:
  - Constant Temperature Mode
  - BOOST Mode

#### 2. Digital Display Instructions

- Shutdown State: The digital display will be off.
- Constant Temperature Mode:
  - Adjustable temperature from 86°F - 158°F (30°C - 70°C).
  - The display will flash while heating to the selected temperature.

#### 3. Operating Instructions

- Power On/Off:
  - Short press the power button to turn on the device and enter Constant Temperature Mode.
- Set Constant Temperature:
  1. In Constant Temperature Mode, short press the temperature button.
  2. The digital display will flash.
  3. Each press will increase the temperature by 9 °F(5°C).
  4. The temperature will cycle from 86°F to 158 °F (30°C to 70°C).
  5. The device will enter the working state after 5 seconds of inactivity.
- Enter BOOST Mode:
  1. Long press the mode button for 5 seconds while in Constant Temperature Mode.
  2. The default heating time is 2 hours.
  3. To set the heating time, short press the time button. The display will flash.
  4. Each press will increase the time by 1 hour, up to a maximum of 8 hours.
  5. The device will automatically shut down when the time is up.

## Installation: Wall Mounting

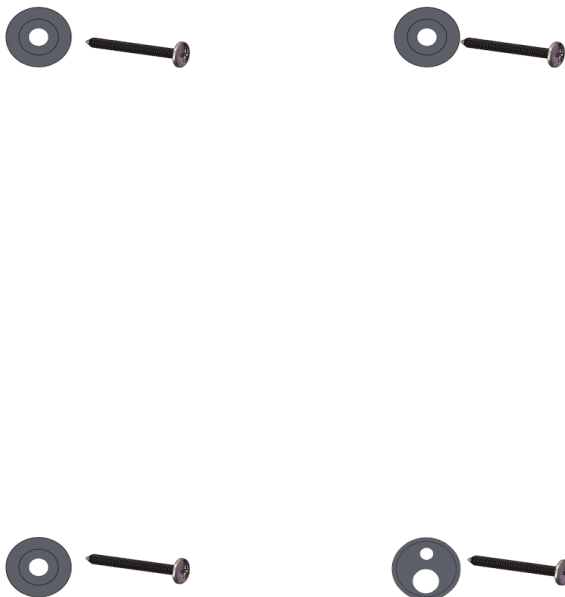
### Important:

- Ensure the mounting surface can support the weight of the towel rack.
- To avoid a hazard for young children, the lowest heated rail must be installed at least 23.6 inches\*\* above the ground.



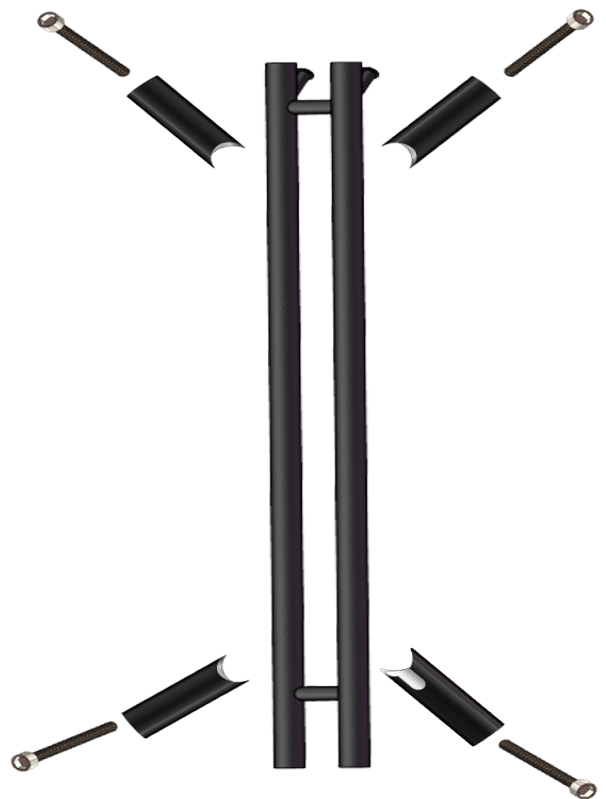
### 1. Mark and Drill:

- Select a location for the towel rack.
- Mark the four hole locations on the wall.
- Drill the holes and insert the wall plugs.



### 2. Attach Wall Plates:

- Secure the wall plates to the wall using the provided screws.

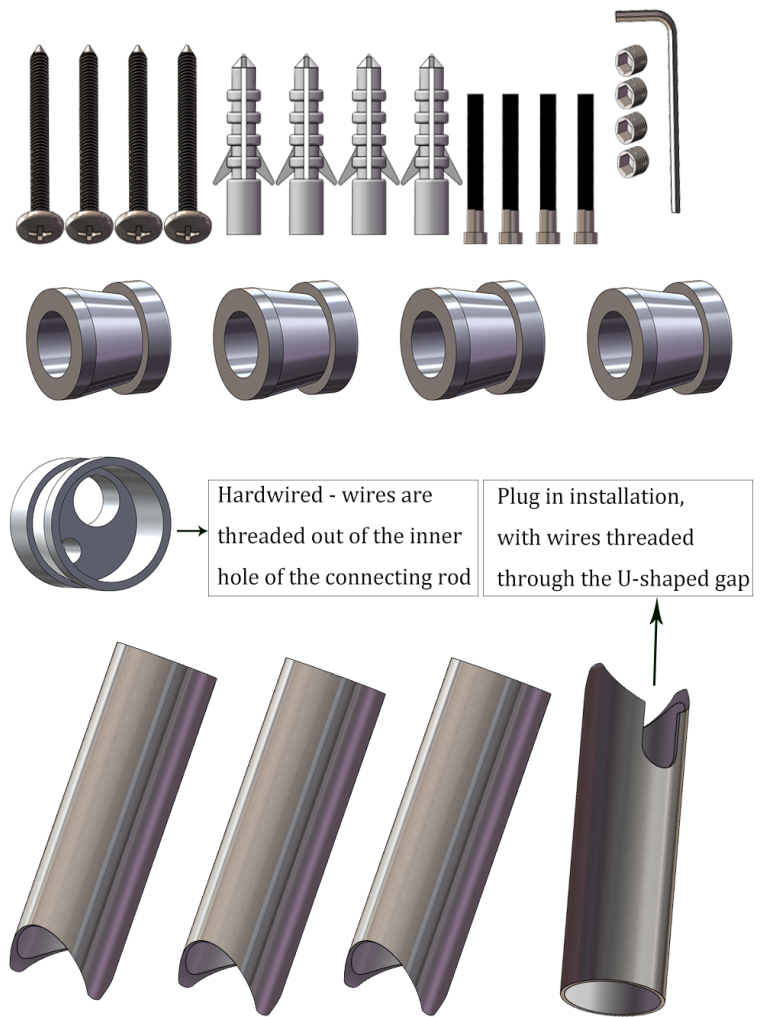
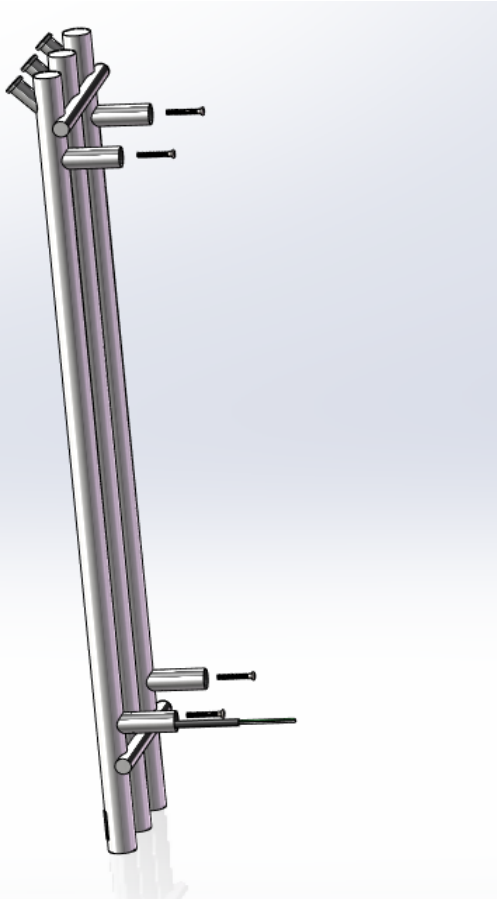


### 3. Fix Bases:

- Use screws to fix the four bases to the wall.
- Note: Use the base with 3 connection holes on the side where the wires will be connected.

### 4. Connect Brackets:

- Attach the brackets to the back of the towel rail.
- Tighten each bracket securely.

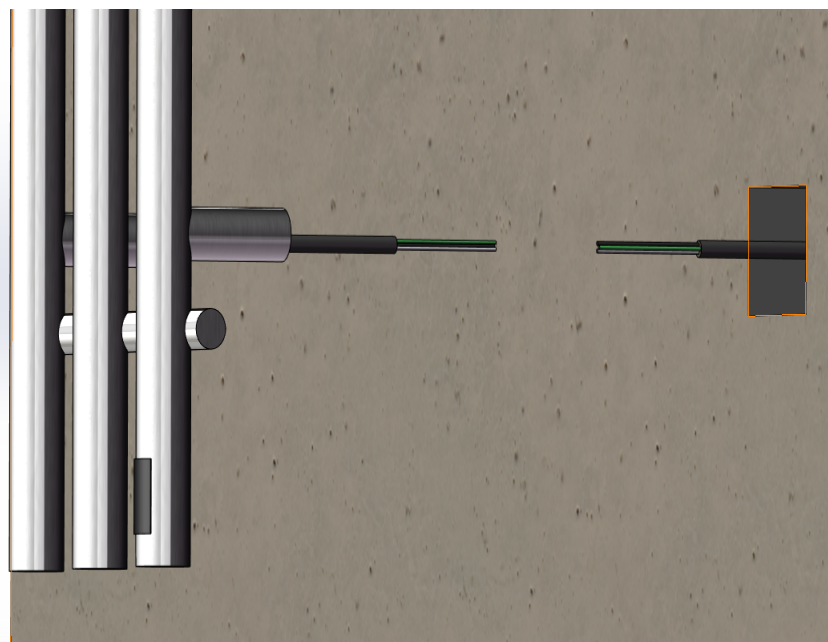
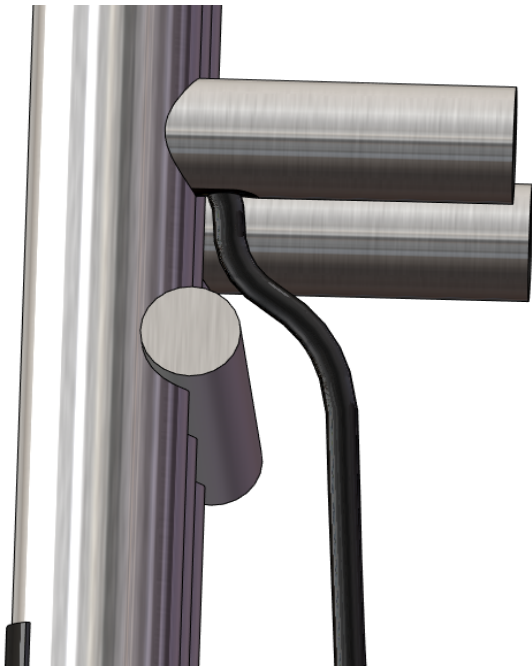


5. Mount the Towel Rack:
- Buckle the four decorative covers onto the four fixed bases.
  - Secure the supports by tightening the Allen screws.

### 1. plug-in Installation

### Wiring

### 2. hard-wired Installation



- The wire comes out of the U-shaped groove.
- Green Wire: Ground
- White Wire: Neutral
- Black Wire: Live

- Cut off the plug.
- Connect the wires through the large hole in the decorative cover to the pre-embedded wires in the wall.