

INSTRUCTION MANUAL ENCLOSED

ATTENTION

**IF YOU HAVE ANY PROBLEMS OR QUESTIONS, EMAIL OR CALL
CUSTOMER SERVICE BEFORE YOU RETURN THIS PRODUCT TO THE
STORE WHERE IT WAS PURCHASED.**

For Customer Service:

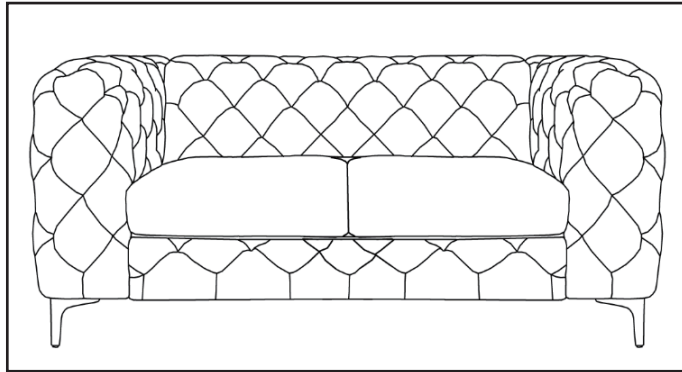
USA Area : Email: support@orderhelp.com / Call: 1-877-897-1222

CANADA Area : Email: sirio@orderhelp.com / www.sirio.ca/

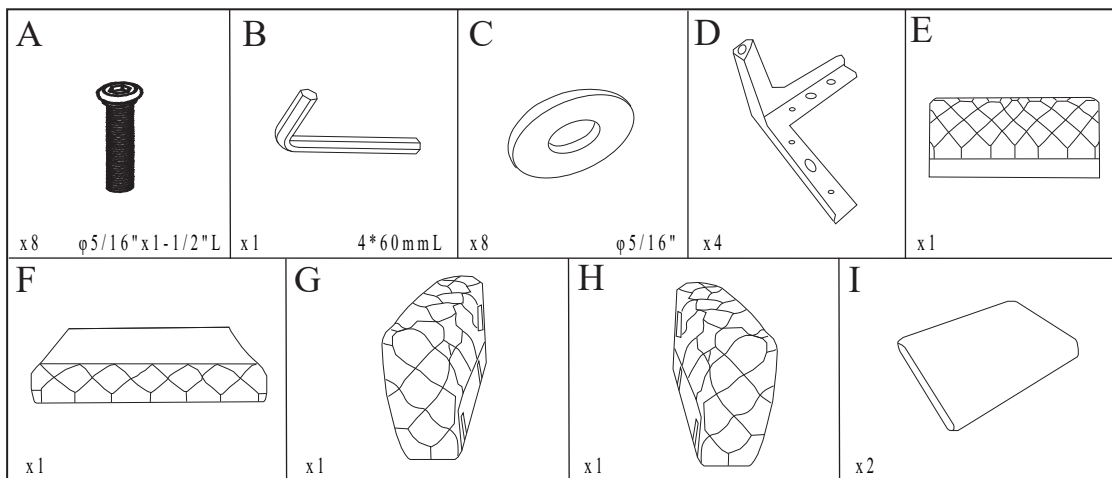
Call: 1-866-666-0421

INSTRUCTION MANUAL ENCLOSED

SOFA CHAIR ASSEMBLY INSTRUCTION



Part	PARTS LIST Description	Quantity
<i>HARDWARE</i>		
A	Bolts $\phi 5 / 16 "$ x 1 - 1 / 2 " L	8
B	Allen Key 4*60mm.L	1
C	Flat $\phi 5 / 16 "$	8
<i>PARTS</i>		
D	Sofa Feet	4
E	Sofa Back	1
F	Sofa Base	1
G	Right Armrest	1
H	Left Armrest	1
I	Seat Cushion	2
<i>SPARE PARTS</i>		
A	Bolts $\phi 5 / 16 "$ x 1 - 1 / 2 " L	1
C	Flat $\phi 5 / 16 "$	1



For Customer Service:

Email: support@orderhelp.com

sirio@orderhelp.com / www.sirio.ca

Call: 1-877-897-1222 / 1-866-666-0421

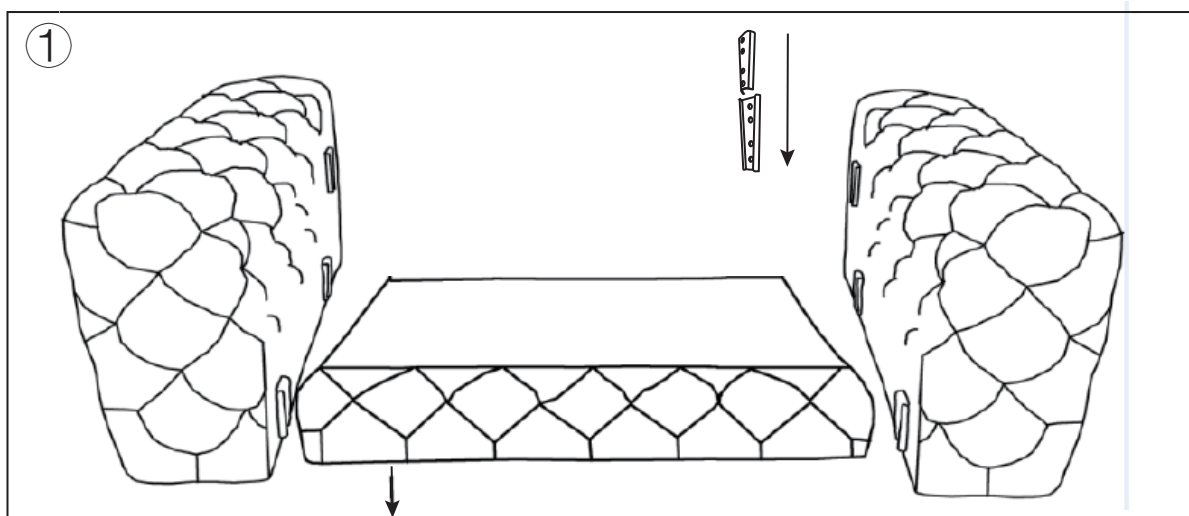
GETTING STARTED

1. Before assembly, **CAREFULLY** use scissors or utility knife to cut and unwrap all parts. Make sure you do not discard the hardware.
2. Make sure that you have all the parts listed. If you are missing any parts, please email Customer Service: USA: support@orderhelp.com or call 1-877-897-1222. Canada: sirio@orderhelp.com / www.sirio.ca or call 1-866-666-0421. Please identify the parts you need and model number. Make sure to include your name and address.
3. Please include your **Order Number** and **platform of purchase** in the email subject, and one of our customer service representative will get back to you.

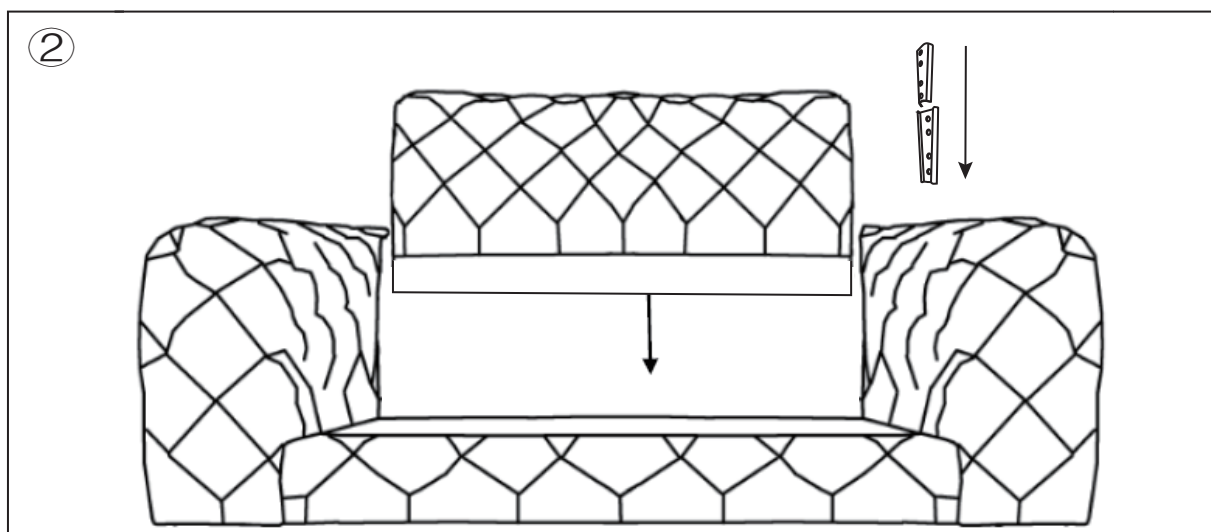
Warm Tips:

1. The plastic covers on some metal parts are just for product protection. Please remove it before assembly.
2. Please follow the sequence of AI during assembly.
3. Do not tighten the screws until all of them are in right positions.

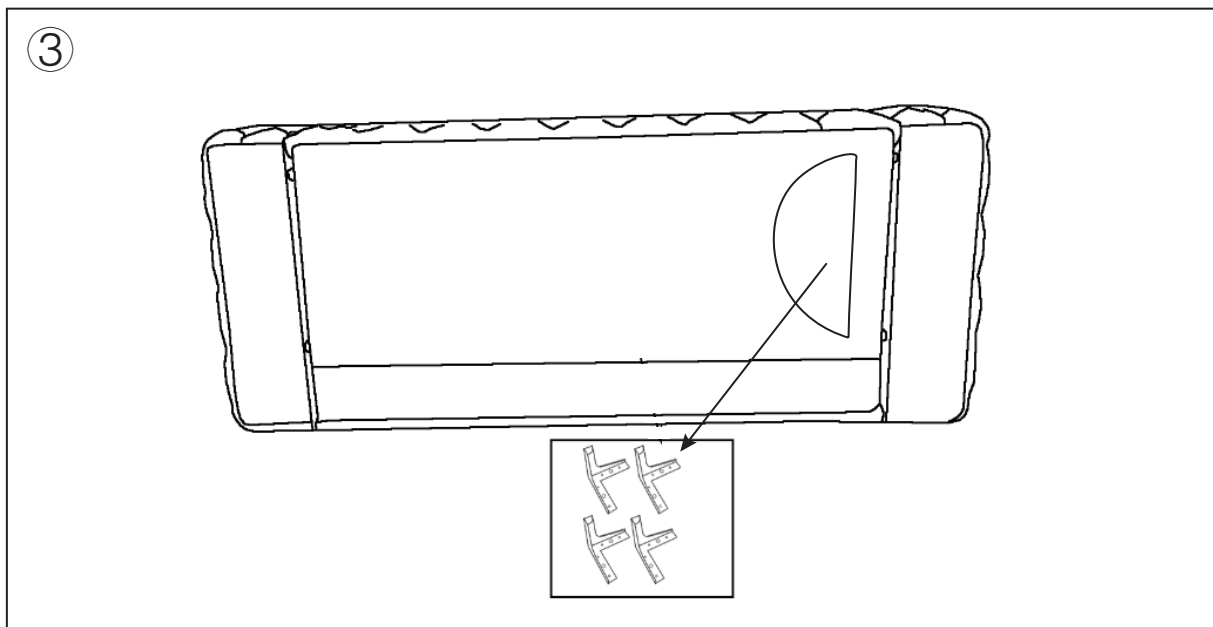
1. Locate the Sofa Base(F) to Armrests(G & H) together by inserting latches within each from top to bottom. (Photo ①).



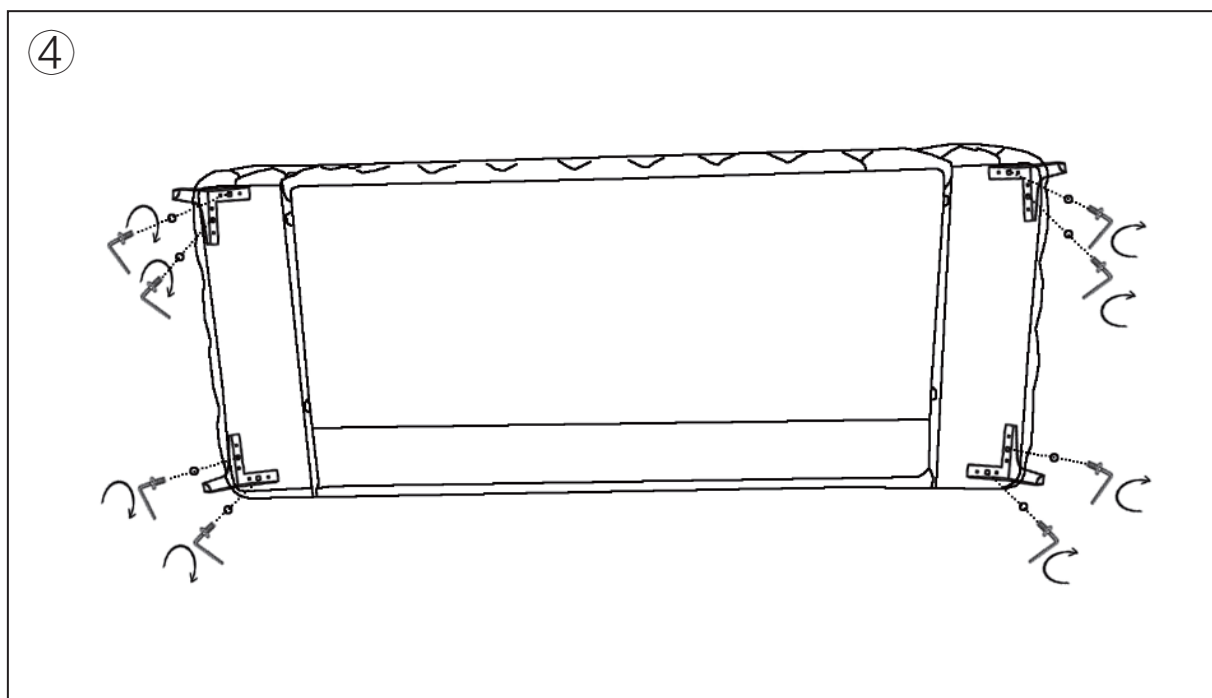
2. Embed Sofa Back(E) on top of Sofa Base(F) by inserting latches within each from top to bottom. (Photo ②)



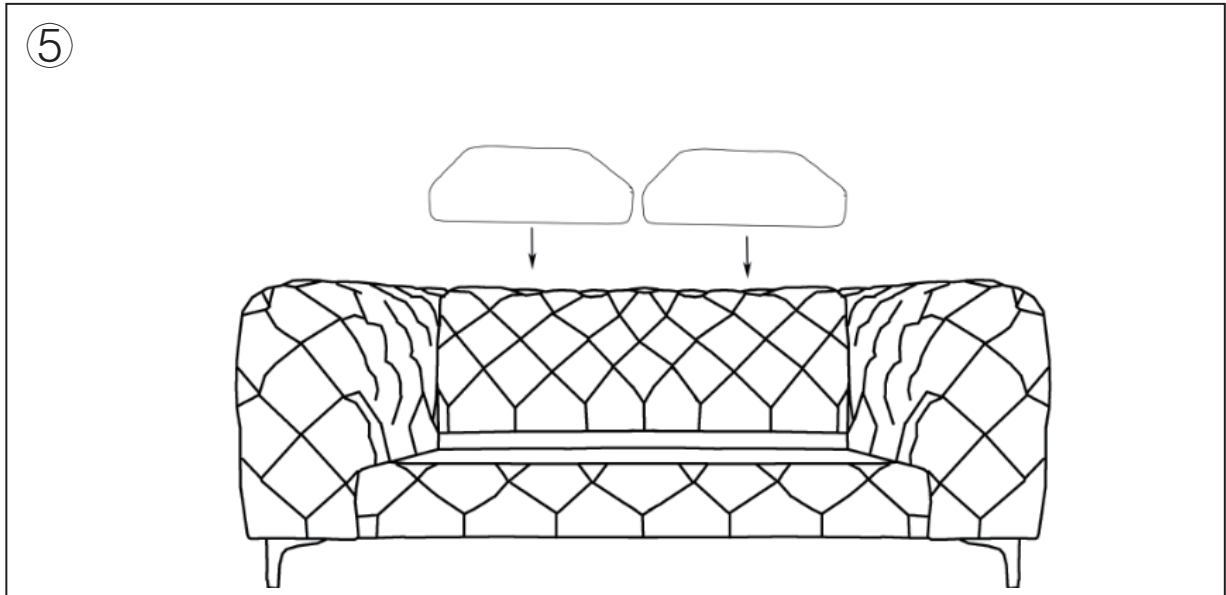
3. Open the trunk beneath the Sofa Base(F) to find the Sofa Feet. (Photo ③)



4. Locate each Sofa Feet(D) to each corner beneath the Sofa Base(F) by the pre-drilled threads. Fasten Bolts(A) and Washers(C) to combine Sofa Base(F) and Sofa Feet(D) with Allen Key(B). (Photo ④)



5. Put Seat Cushion(I) on top of Sofa Base. (Photo⑤)



Till now you have finished the whole assembly, enjoy your sofa!