

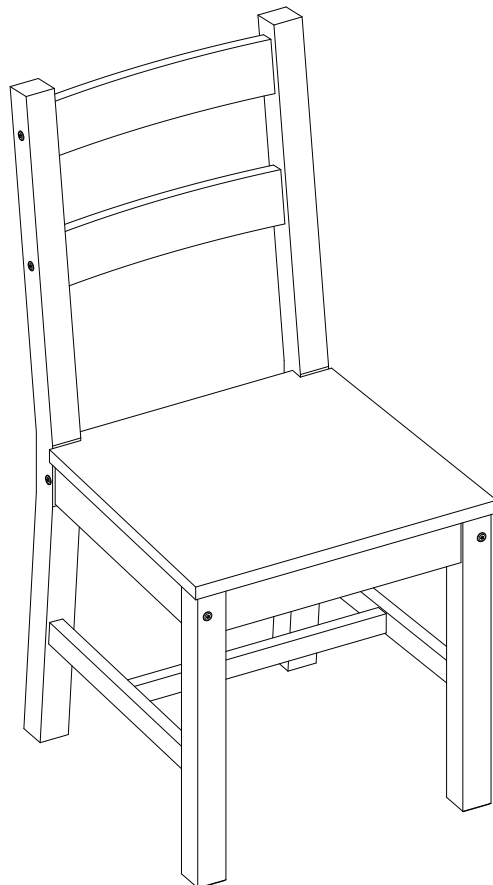
Thank you for purchasing our dining group. The Rustic finish, by design, has high and low spots on the top surface of the table, bench and chair. Naturally this solid wood product will have areas of different color and texture. We hope you enjoy this look as much as we do.

Please note, over time tighten all hardware so your products stay as rigid in the future as they are today.

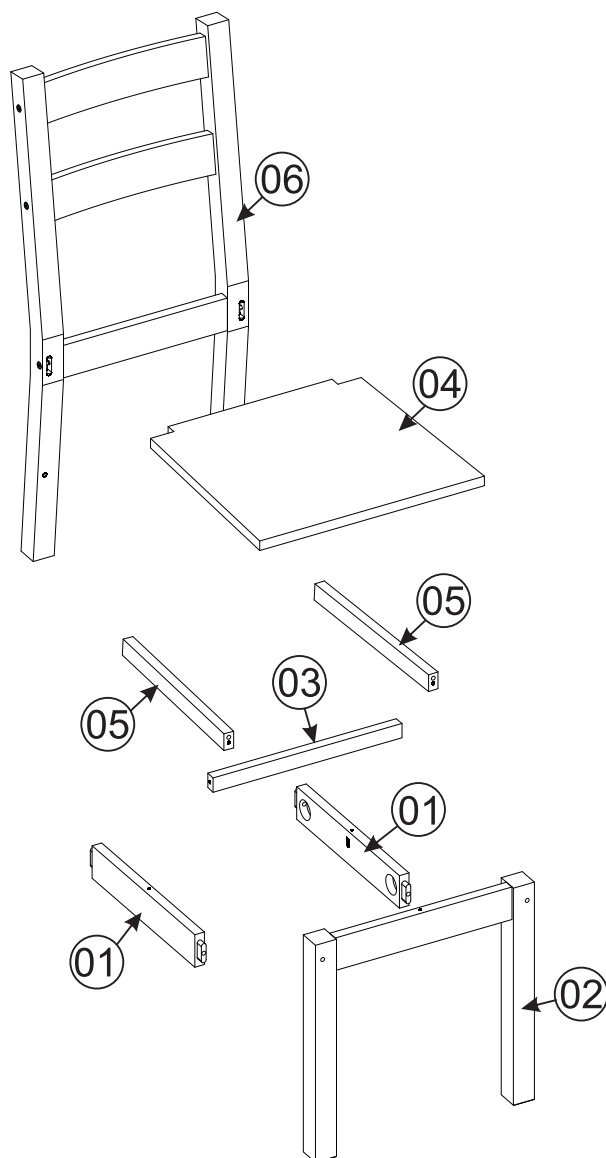
As with all internet products, a good review makes the product successful. We invite you to share a positive review. Thank you for your help.

Please contact us at mybednowservice@gmail.com







CHAIR



PARTS AND HARDWARE

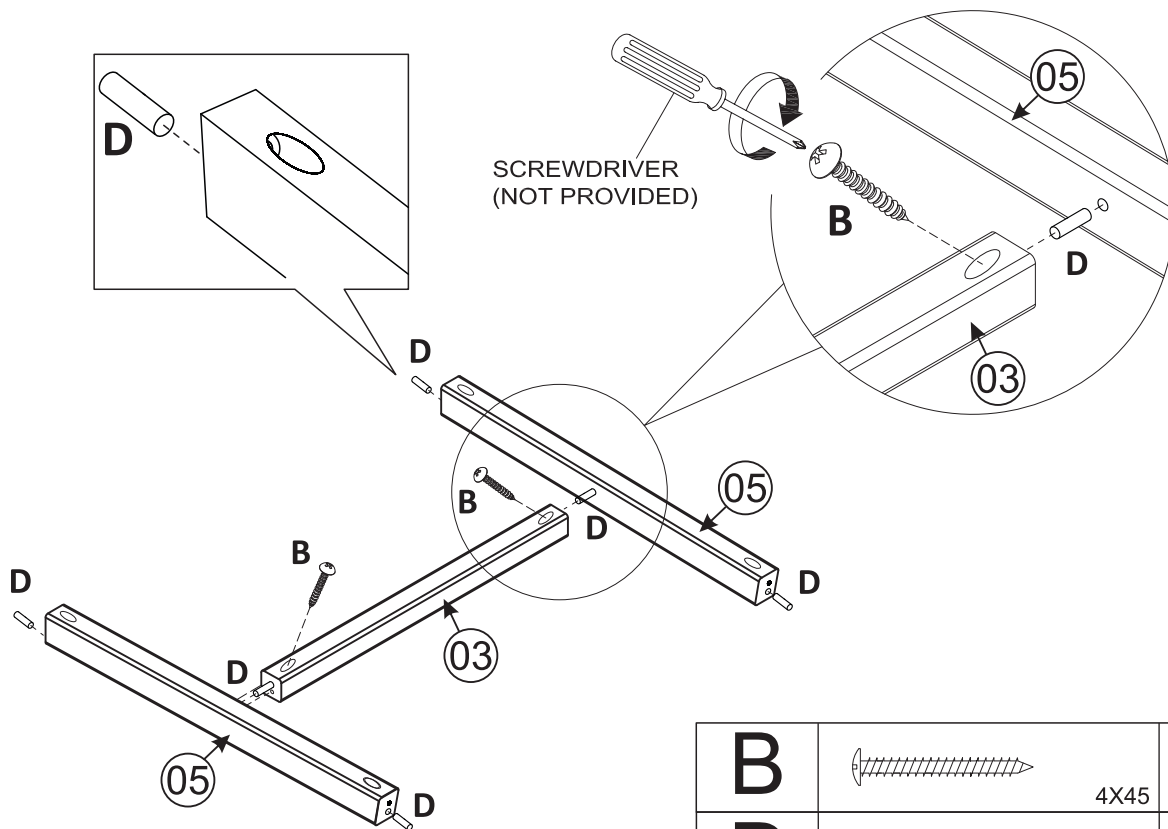




HARDWARE

A	 (17*) 1/4x80	04
B	 4X45	06
C	 4X30	04
D	 Ø8X30	06
E	 15X40X4	01
F		04

STEP 1

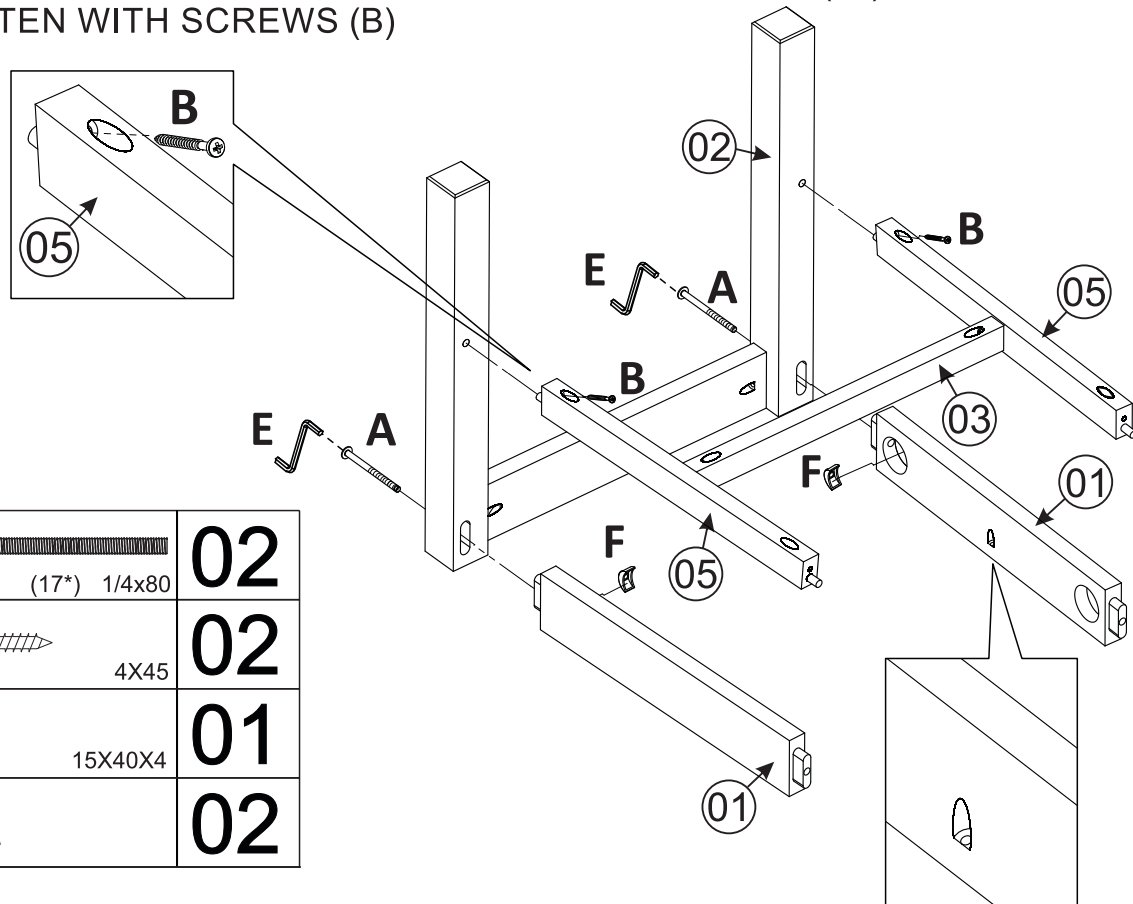
INSERT DOWELS (D) INTO COMPONENTS SHOWN
ATTACH CROSS BOARD (03) TO STRETCHER BOARDS (05)
TIGHTEN WITH SCREWS (B)

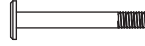





B		4X45	02
D		Ø8X30	06

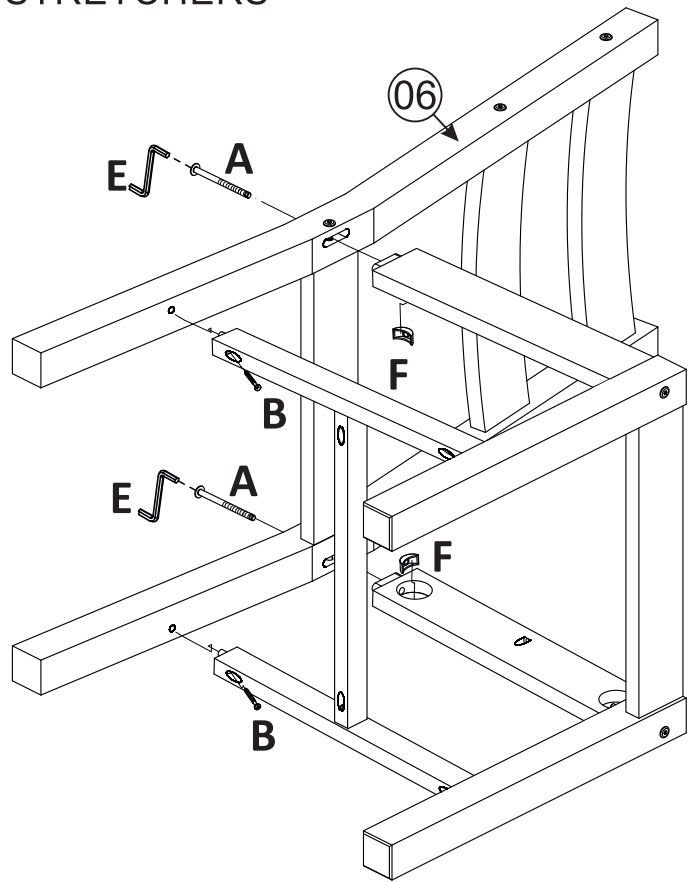
STEP 2

ATTACH SEAT SUPPORT BOARDS (01) TO FRONT LEGS (02)
TIGHTEN WITH BOLTS (A) AND NUTS (F)
ATTACH ASSEMBLED STRETCHER TO FRONT LEGS (02)
TIGHTEN WITH SCREWS (B)



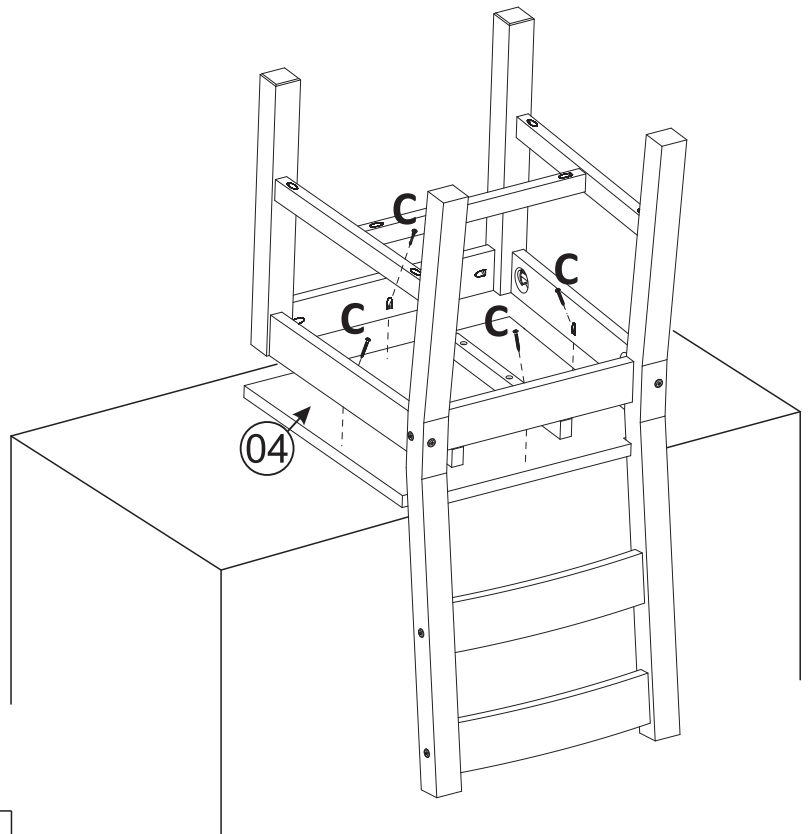
A		(17*) 1/4x80	02
B		4X45	02
E		15X40X4	01
F			02

STEP 3 ATTACH THE BACK (06) AND TIGHTEN BOLTS (A) AND NUTS (C) FOR THE SEAT SUPPORT BOARDS SCREWS (B) FOR THE STRETCHERS



A	(17*) 1/4x80	02
B	4X45	02
E	15X40X4	01
F		02

STEP 4 ATTACH THE SEAT (04) AND TIGHTEN USING SCREWS (C)



C	4X30	04
----------	------	-----------