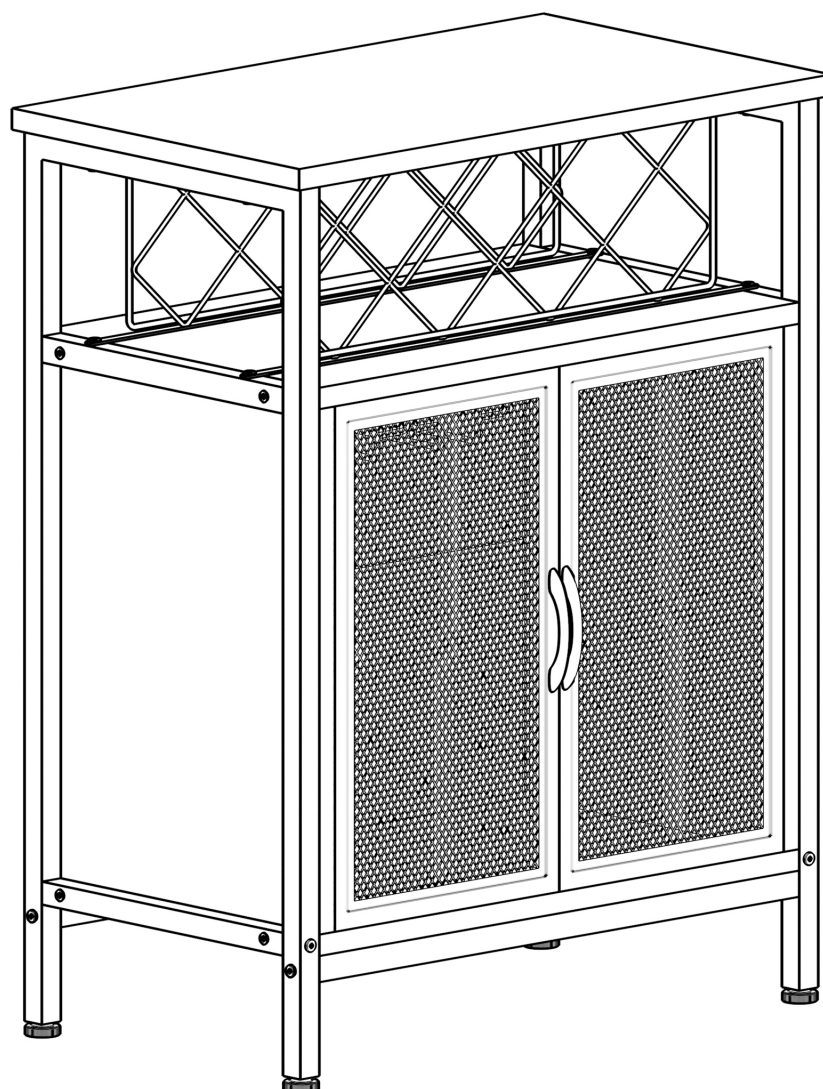


# Wine Cabinets

The assembly instructions

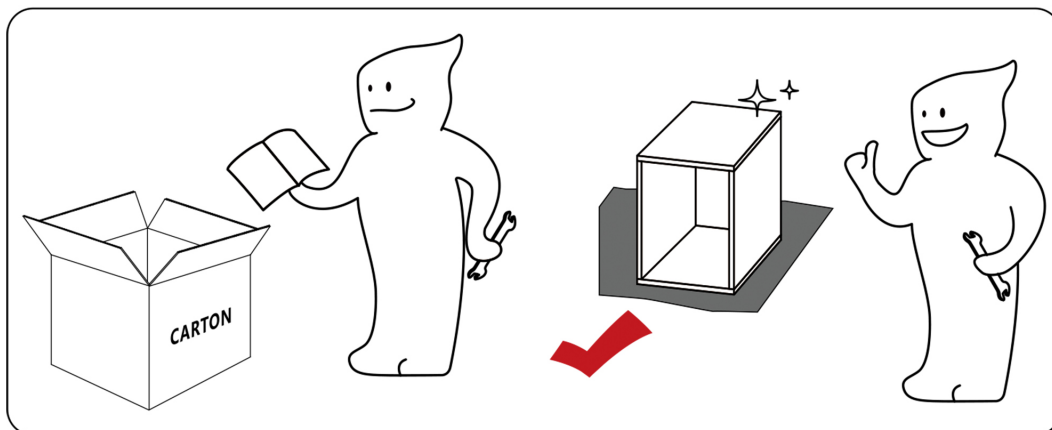
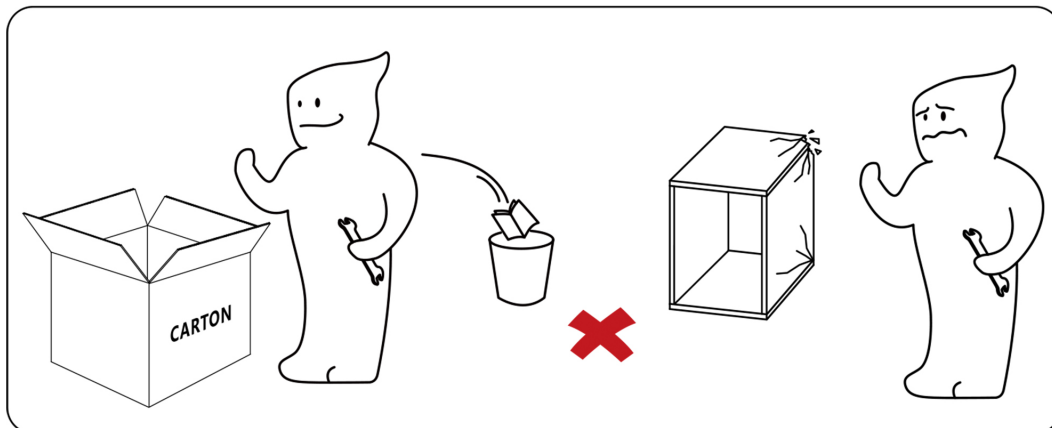
---



Thank you for purchasing our products, please read the instructions carefully before you assemble the product, please do not hesitate to contact us if there is assembly problem, there will be someone to guide assembly.

# MATTERS NEEDING ATTENTION

Please follow the instruction manuals and use a pad to avoid damage during assembly.

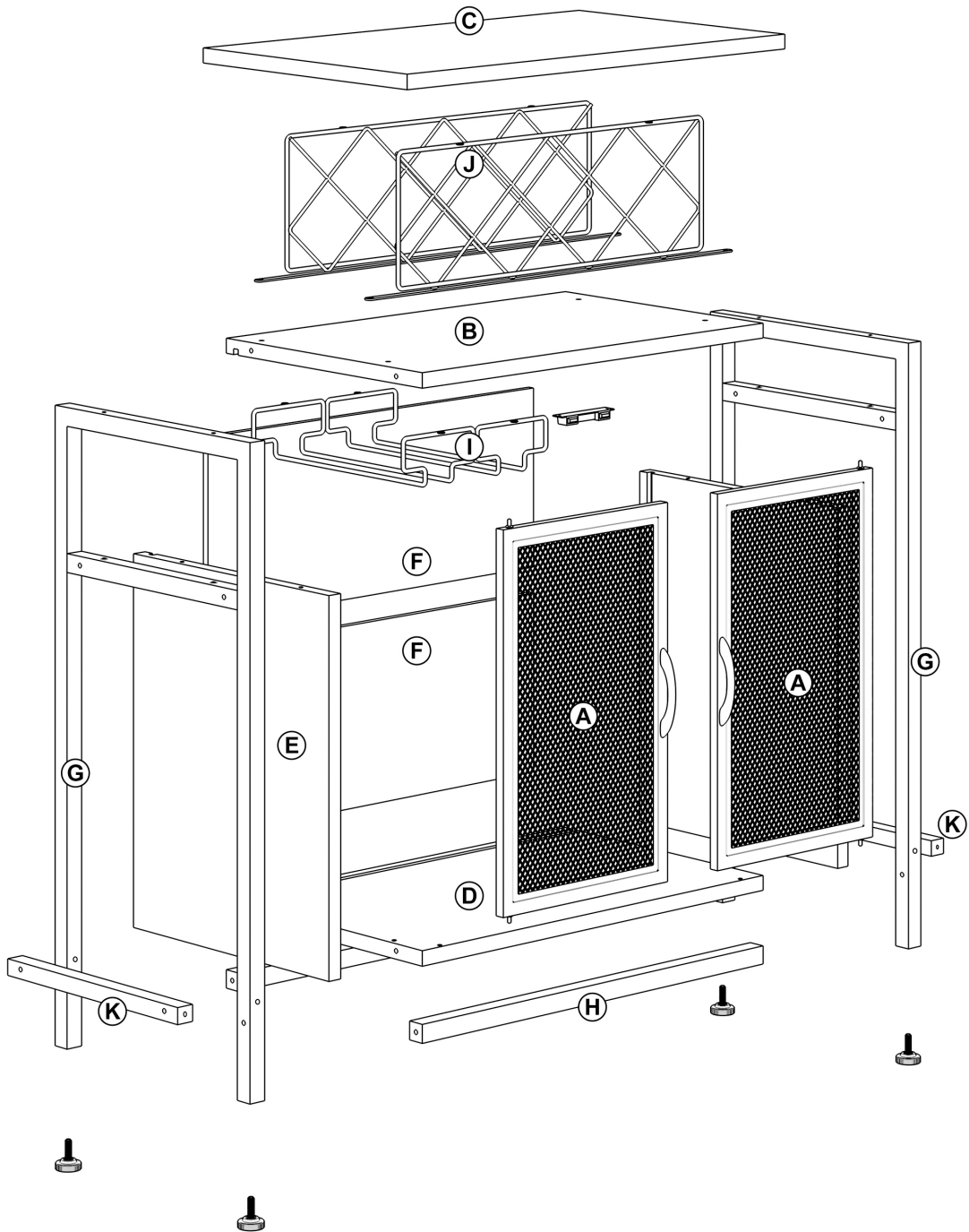


**1**  Not intended for use by children.

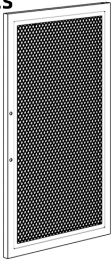
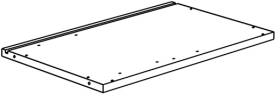
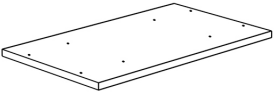
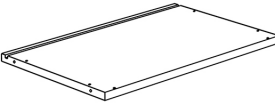
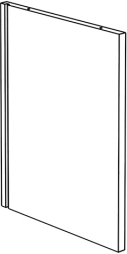
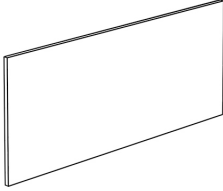
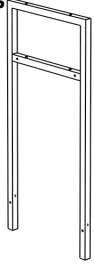
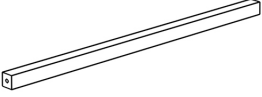
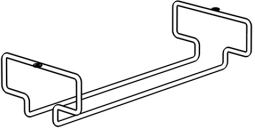
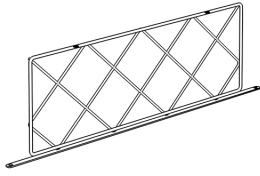
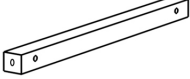

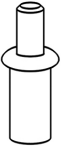
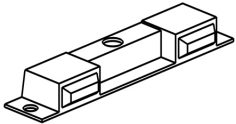
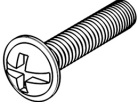
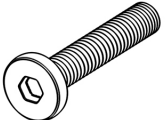
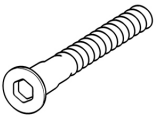



**2**  Keep away from fire or other heat sources.

**3**  We recommend wearing protective gloves.

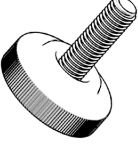


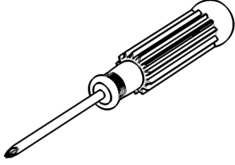
● Product accessories



● Accessories List

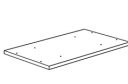
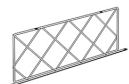

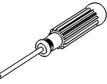
|  |   |  |  |
|--|---|--|--|
| <p><b>A</b> 2 pcs</p>     | <p><b>B</b> 1 pc</p>     | <p><b>C</b> 1 pc</p>     | <p><b>D</b> 1 pc</p>      |
| <p><b>E</b> 2 pcs</p>     | <p><b>F</b> 2 pcs</p>    | <p><b>G</b> 2 pcs</p>     | <p><b>H</b> 2 pcs</p>     |
| <p><b>I</b> 2 pcs</p>   | <p><b>J</b> 2 pcs</p>  | <p><b>K</b> 2 pcs</p>  | <p><b>L</b> 2 pcs</p>   |
| <p><b>M</b> 4 pcs</p>   | <p><b>N</b> 1 pc</p>   | <p><b>O</b> 4 pcs</p>  | <p><b>P</b> 12 pcs</p>  |
| <p><b>Q</b> 16 pcs</p>  | <p><b>R</b> 4 pcs</p>  | <p><b>S</b> 2 pcs</p>  | <p><b>T</b> 8 pcs</p>   |

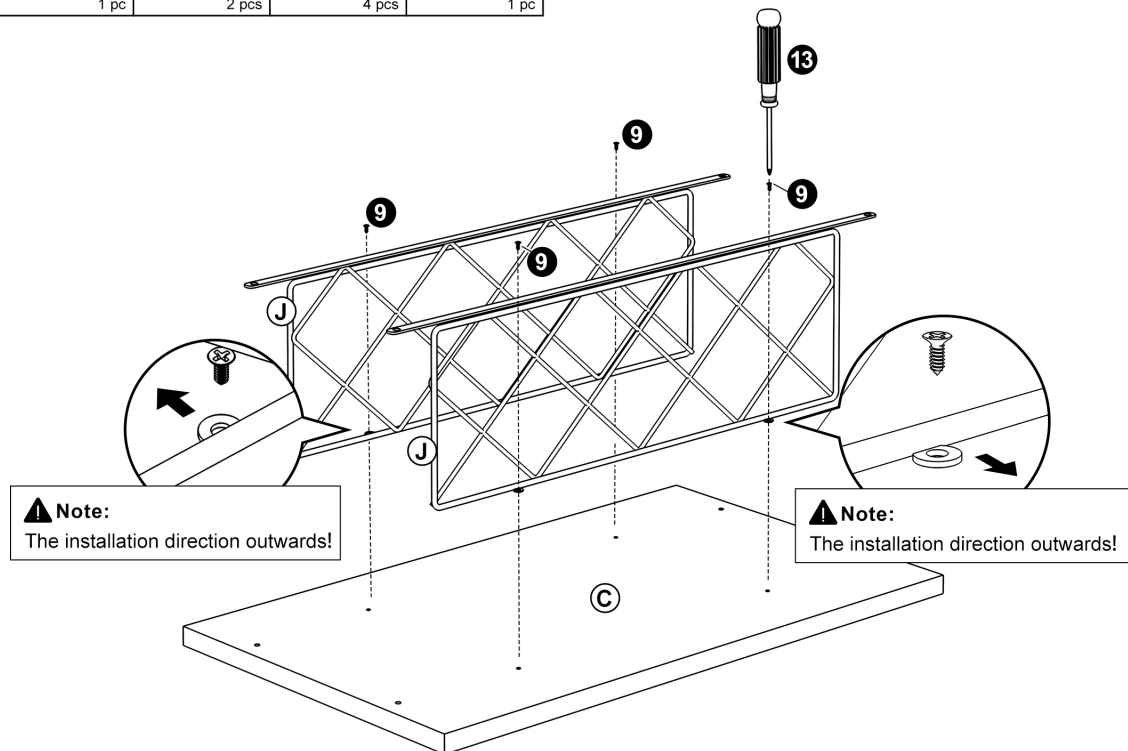
● Accessories List

|   |  |   |  |
|---|--|---|--|
| <p>10 4 pcs</p>  | <p>11 1 pc</p>  | <p>12 1 pc</p>  | <p>13 1 pc</p>  |
|---|--|---|--|

● Assemble steps

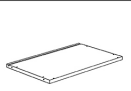



● Step 1

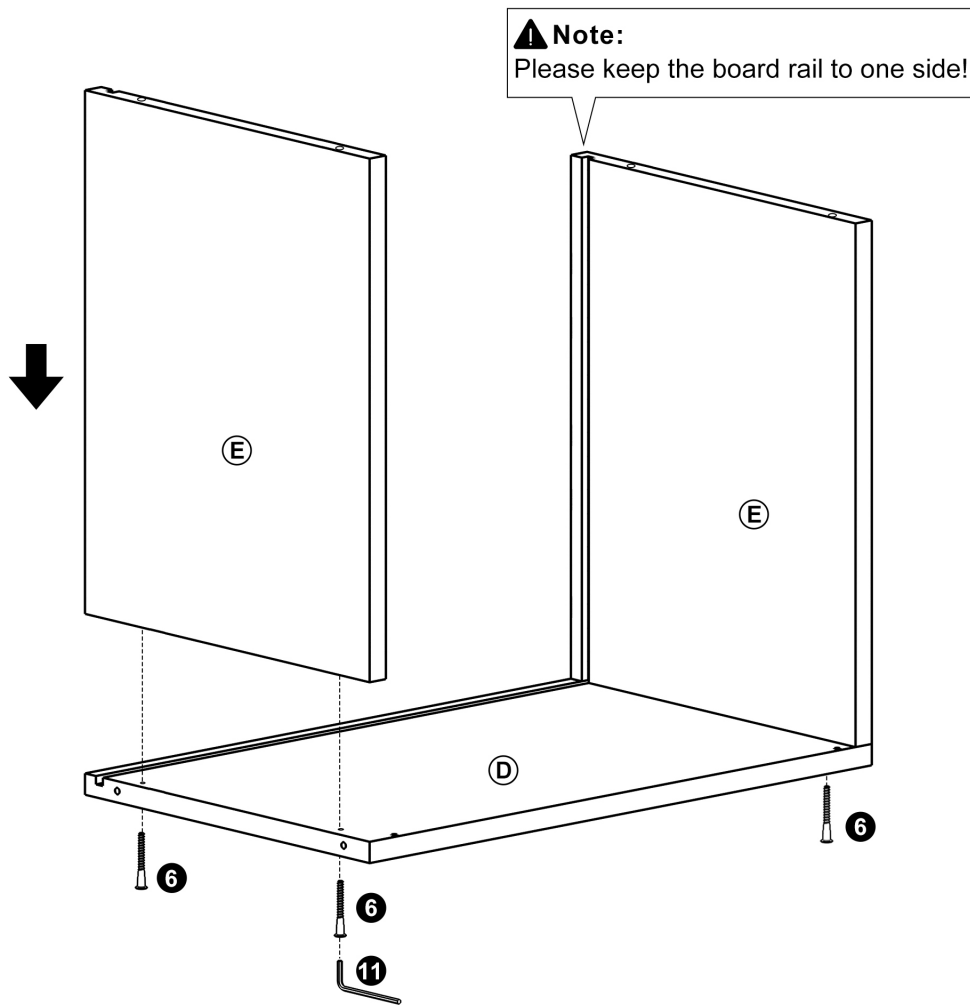
|   |  |  |  |
|---|--|--|--|
| <p>C</p>  <p>1 pc</p> | <p>J</p>  <p>2 pcs</p> | <p>9</p>  <p>4 pcs</p> | <p>13</p>  <p>1 pc</p> |
|---|--|--|--|



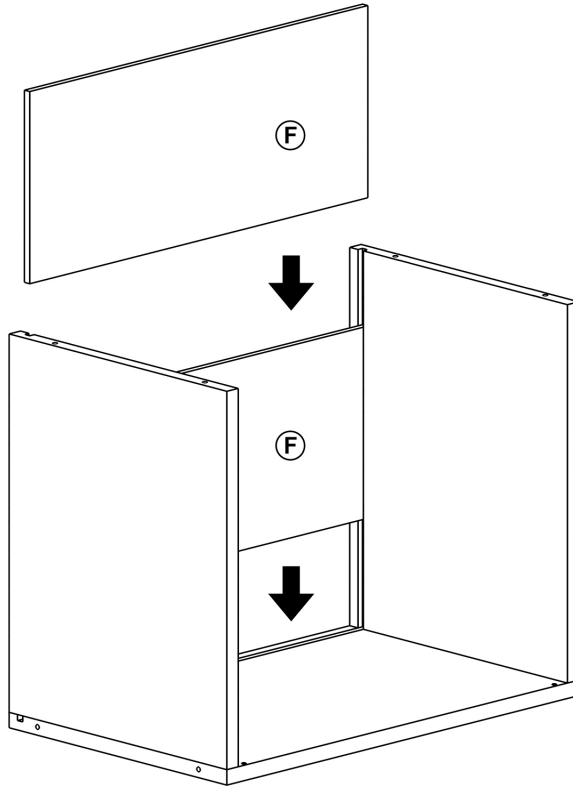
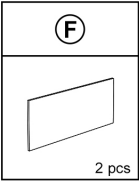
▲ Note: Put aside after assembled to spare!

● Step 2

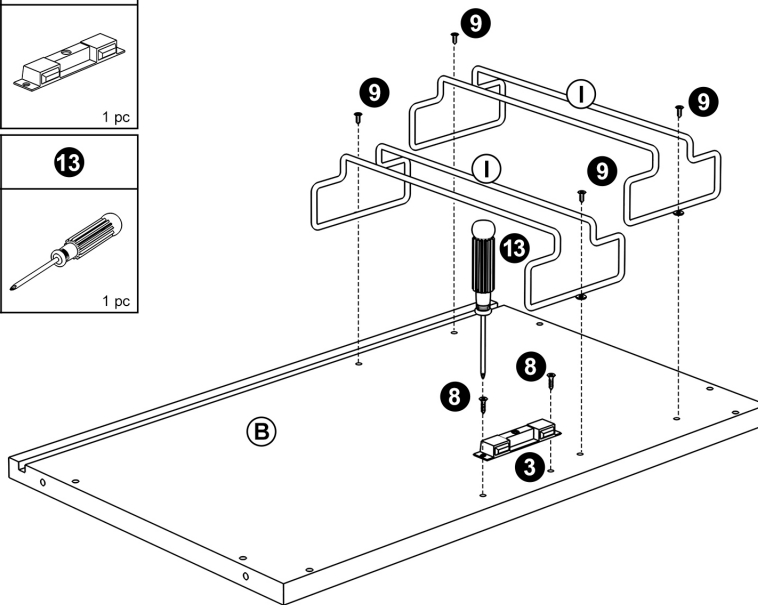
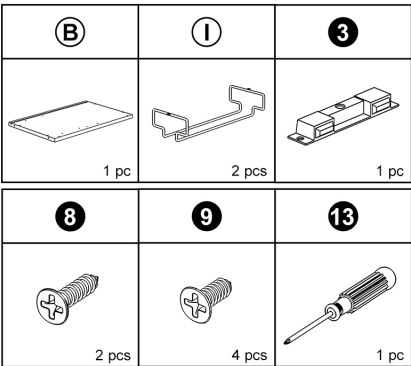
|   |   |   |   |
|---|---|---|---|
| <b>D</b>  | <b>E</b>  | <b>6</b>  | <b>11</b>   |
|  |  |  |  |
| 1 pc  | 2 pcs   | 4 pcs   | 1 pc  |



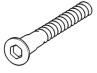

● Step 3

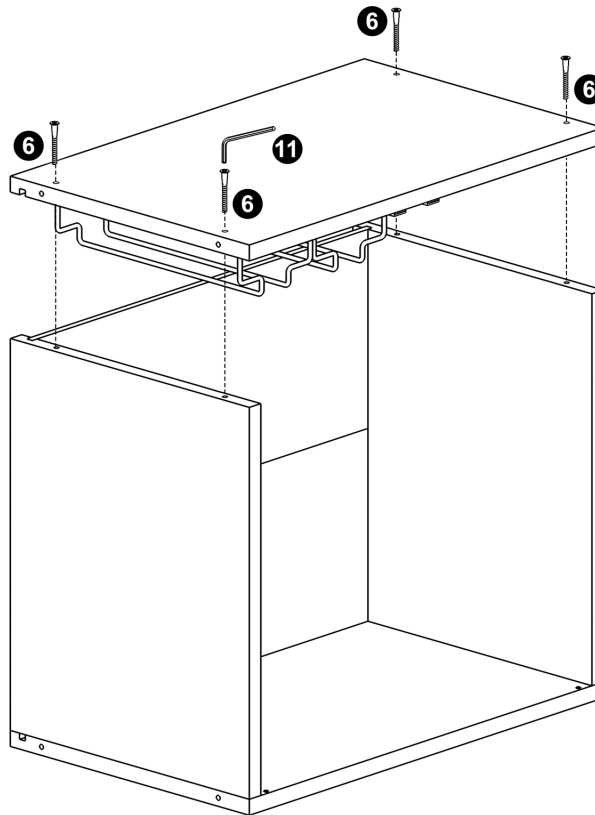


● Step 4




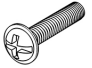
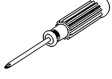


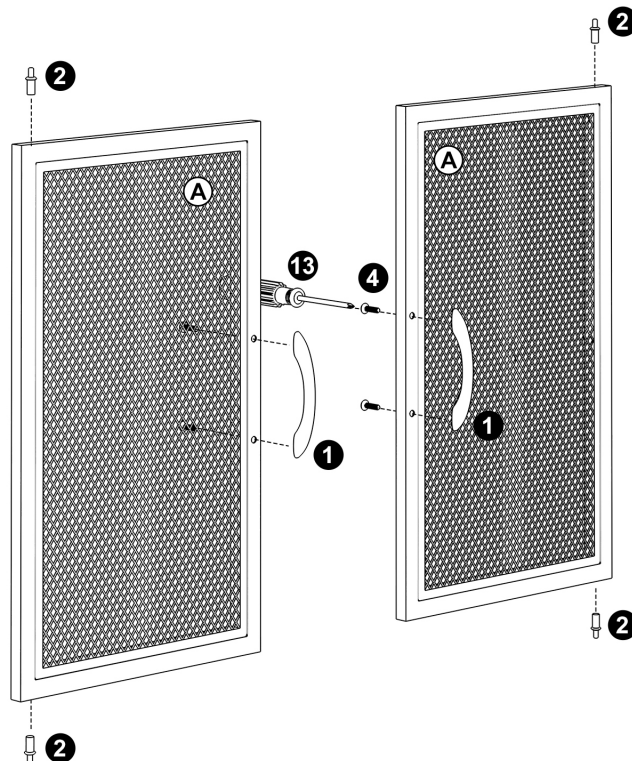
● Step 5

|   |   |
|---|---|
| <b>6</b>  | <b>11</b>   |
|  |  |
| 4 pcs   | 1 pc  |

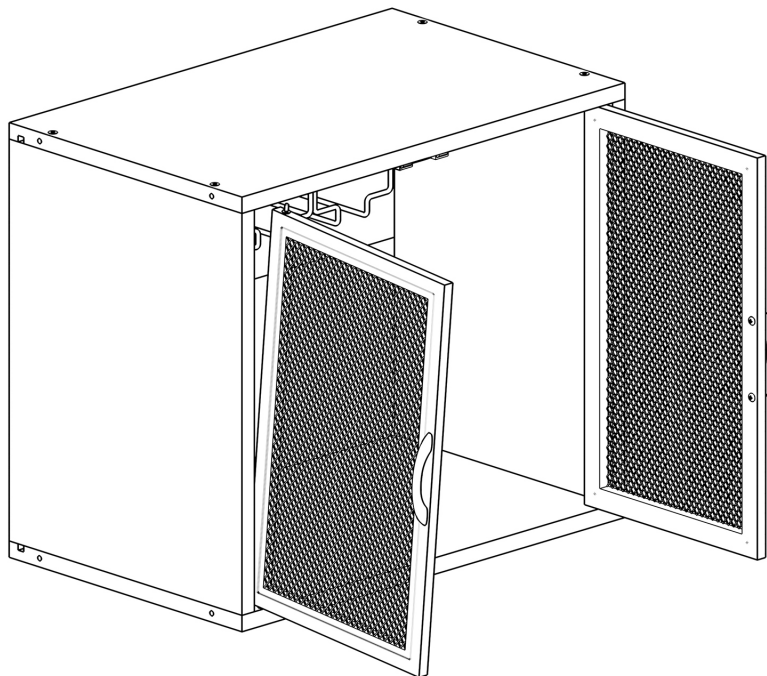


● Step 6

|   |   |
|---|---|
| <b>A</b>  | <b>1</b>  |
|  |  |
| 2 pcs   | 2 pcs   |
| <b>2</b>  | <b>4</b>  |
|  |  |
| 4 pcs   | 4 pcs   |
| <b>13</b>   |   |
|  |   |
| 1 pc  |   |



● Step 7



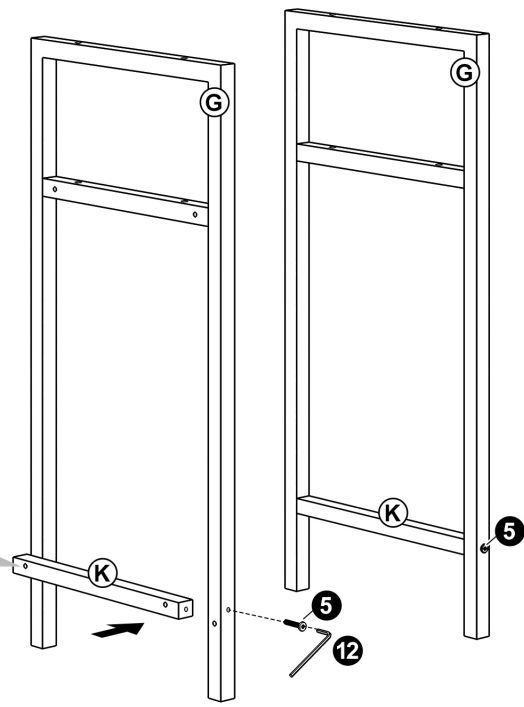
● Step 8

|       |       |
|-------|-------|
| (G)   | (K)   |
|       |       |
| 2 pcs | 2 pcs |
| (5)   | (12)  |
|       |       |
| 4 pcs | 1 pc  |

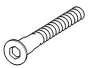

**⚠ Note:**  
The hole position of the square tube needs to be facing up to lock it.

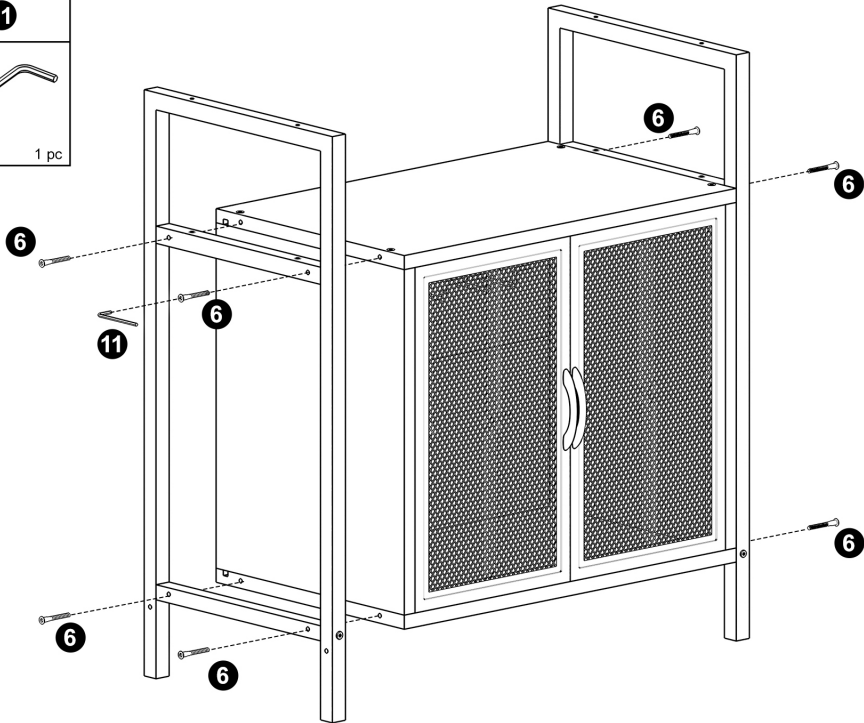
✓

✗


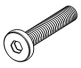



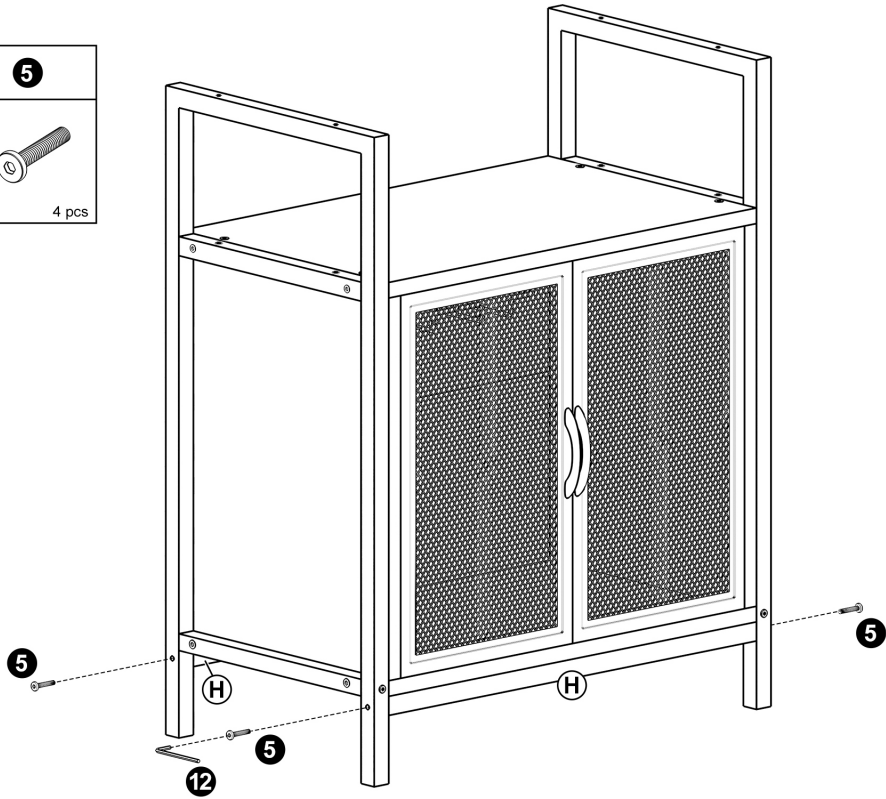
● Step 9

|   |   |
|---|---|
| <b>6</b>  | <b>11</b>   |
|  |  |
| 8 pcs   | 1 pc  |






● Step 10

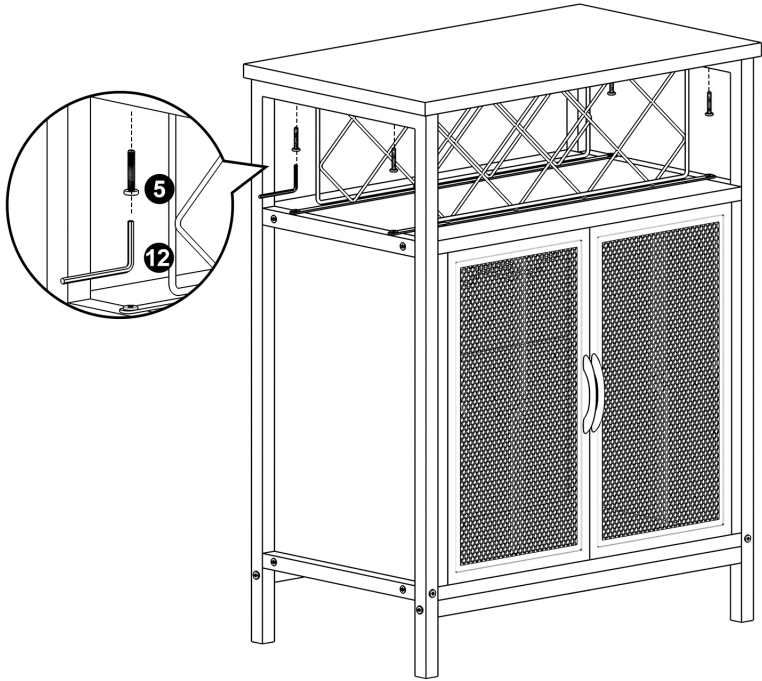
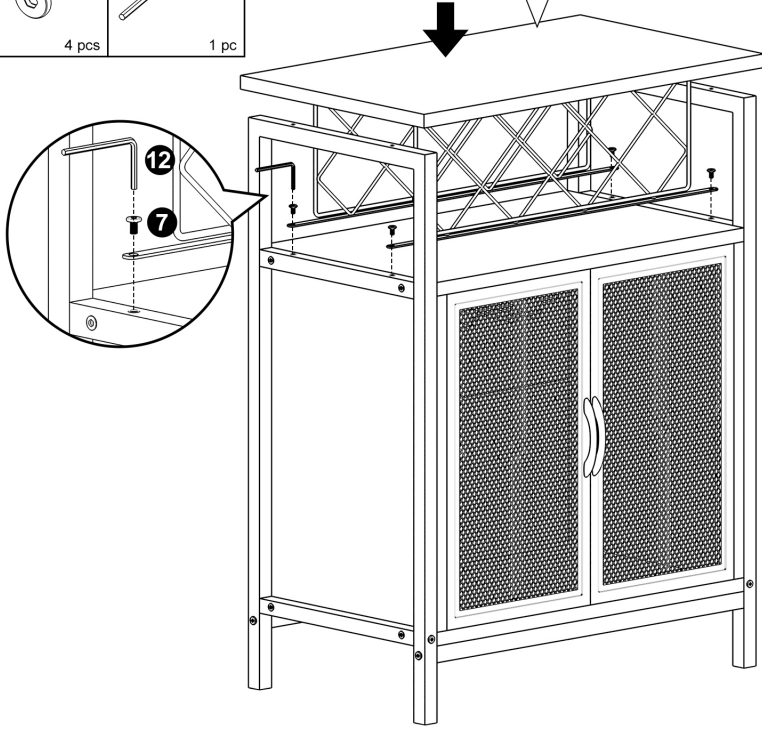
|   |   |
|---|---|
| <b>H</b>  | <b>5</b>  |
|  |  |
| 2 pcs   | 4 pcs   |
| <b>12</b>   |   |
|  |   |
| 1 pc  |   |



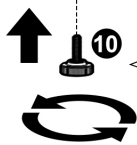
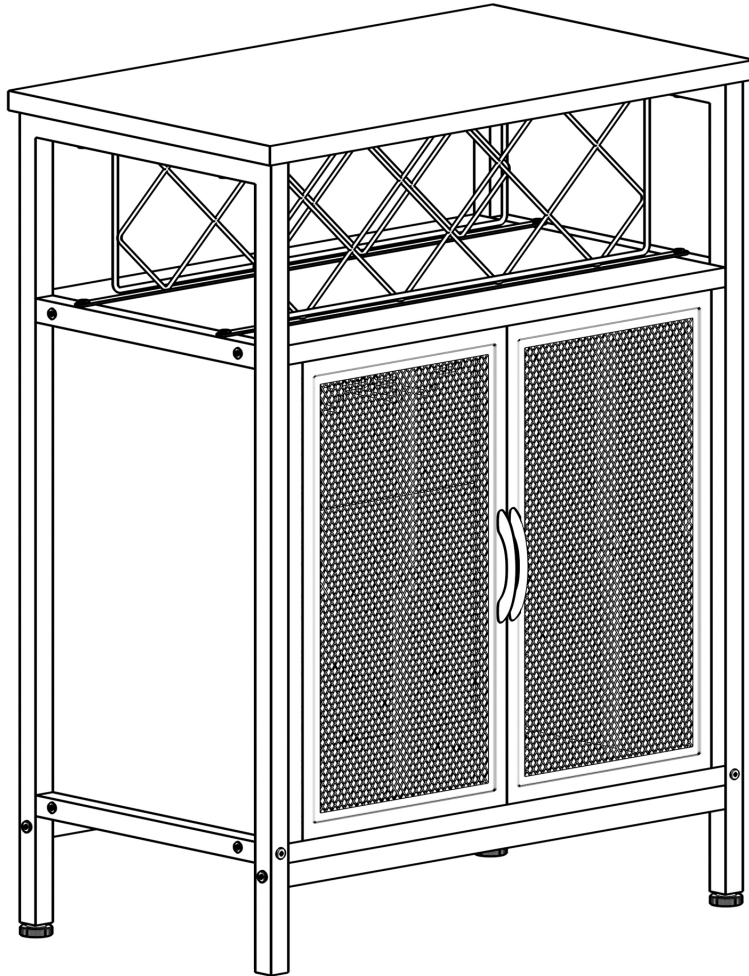
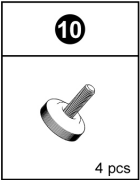
● Step 11

|   |   |   |
|---|---|---|
| <b>5</b>  | <b>7</b>  | <b>12</b>   |
|  |  |  |
| 4 pcs   | 4 pcs   | 1 pc  |

**▲ Note:**  
Step 1 in the assembled components.



● Step 12



**▲ Note:**  
Adjust the overall smooth, to adapt to the surface.

**Complete assembly!**