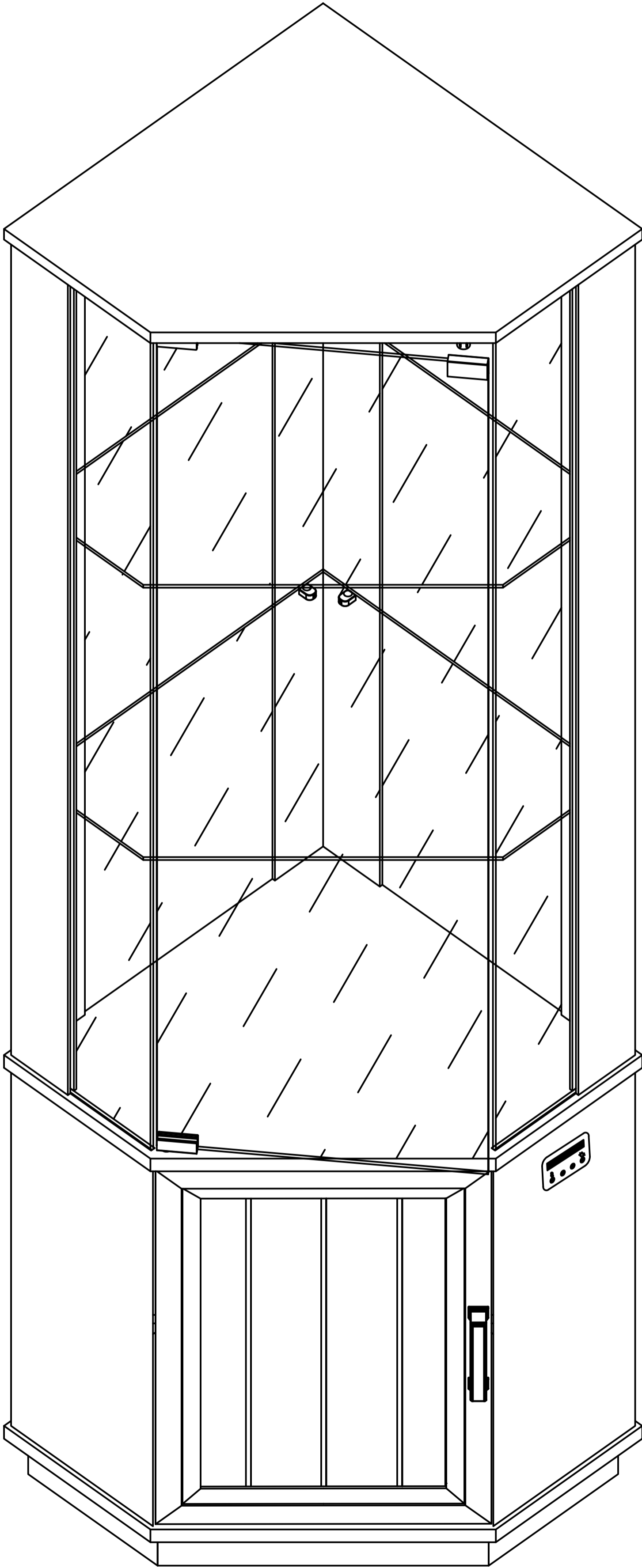
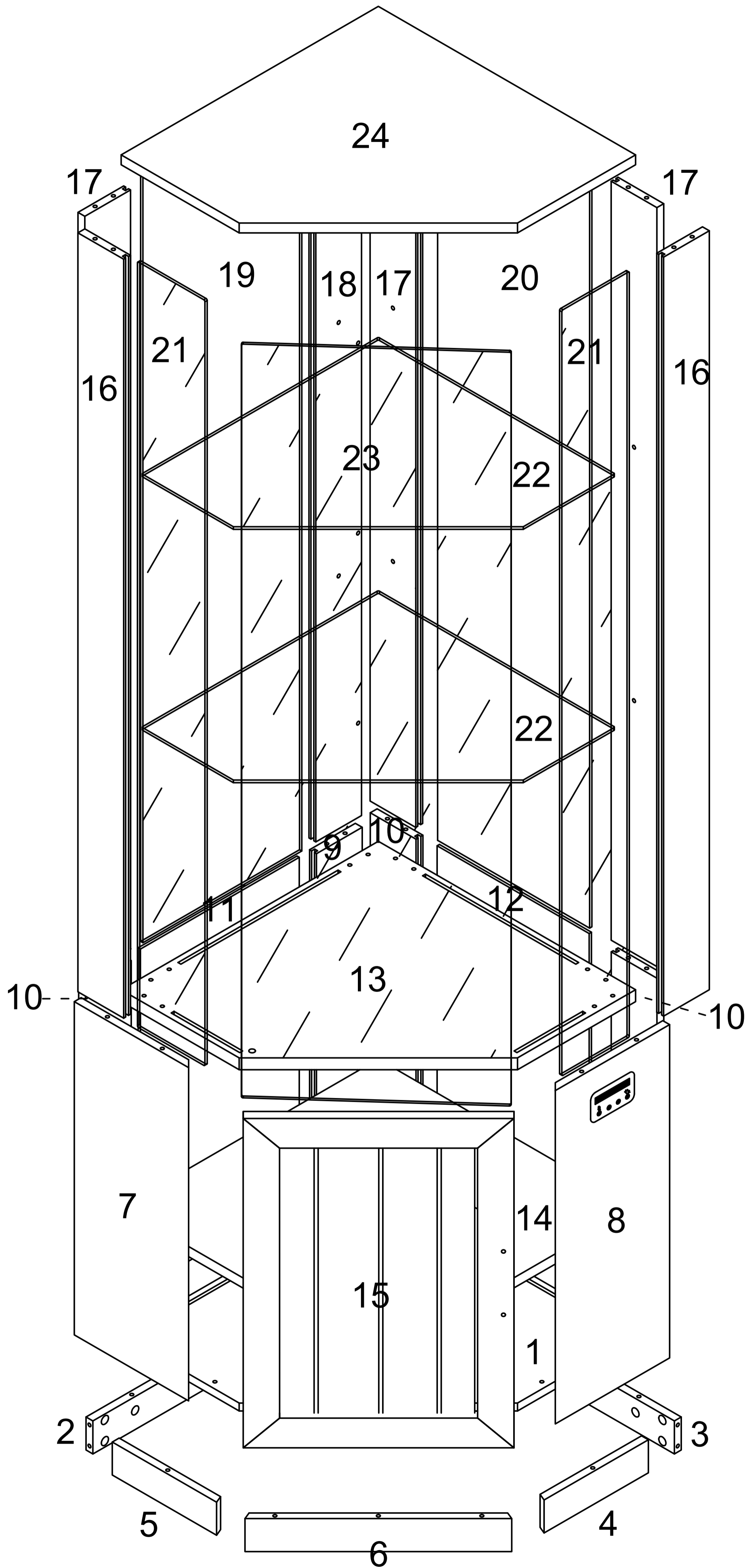


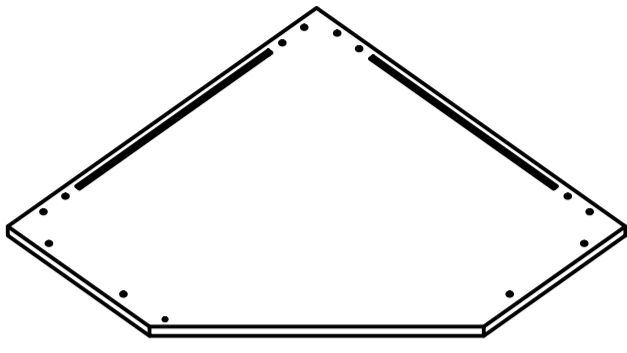
# Product Installation Instructions



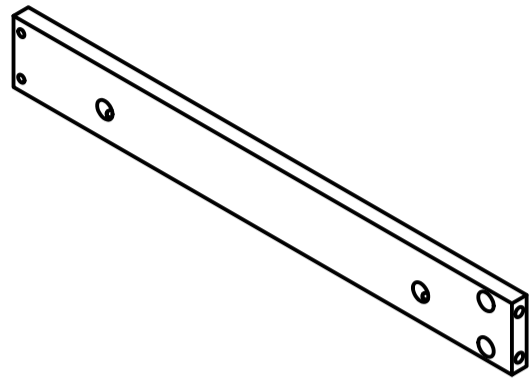
# Product Installation Instructions



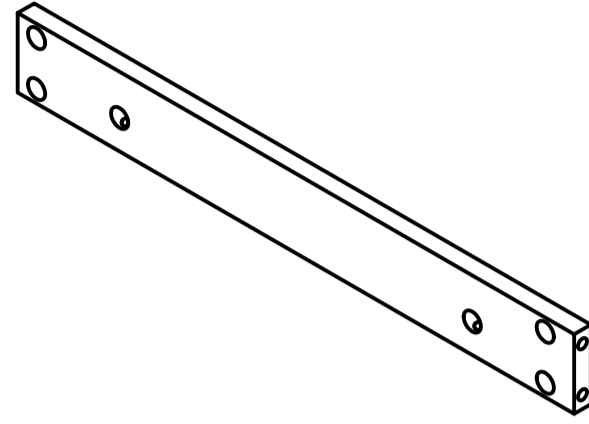
# Hardware list



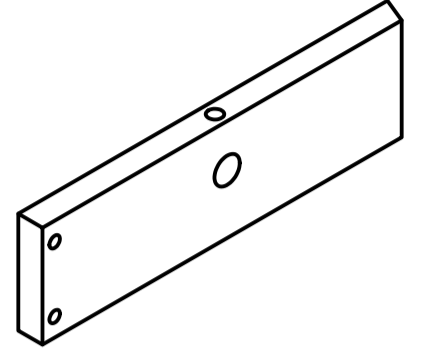
1x1



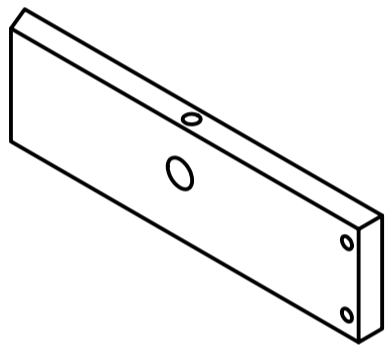
2x1



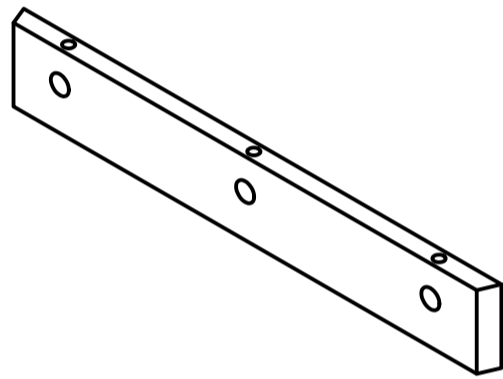
3x1



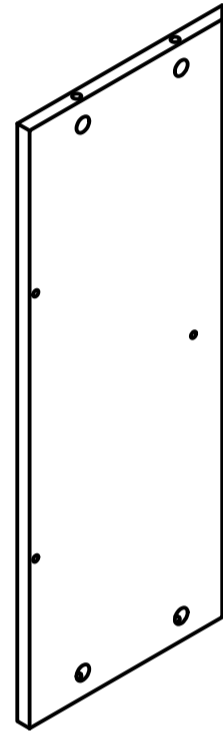
4x1



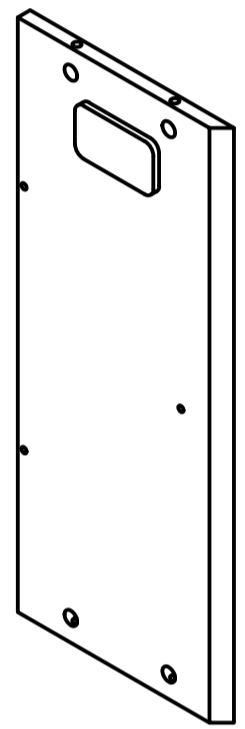
5x1



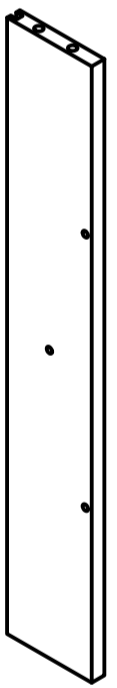
6x1



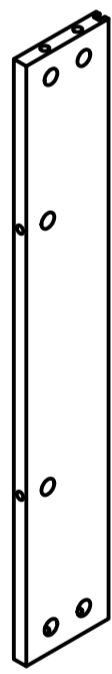
7x1



8x1



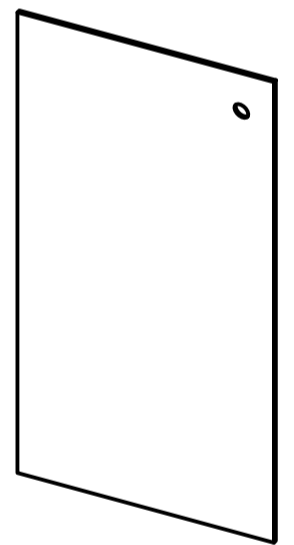
9x1



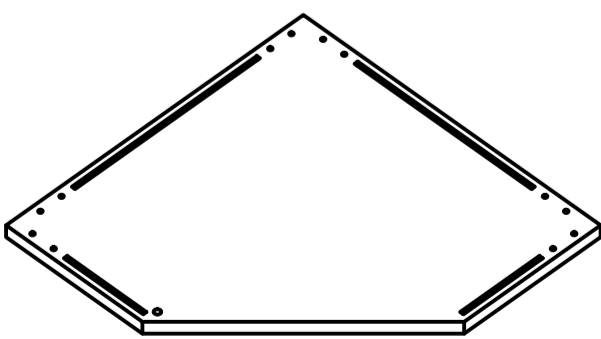
10x3



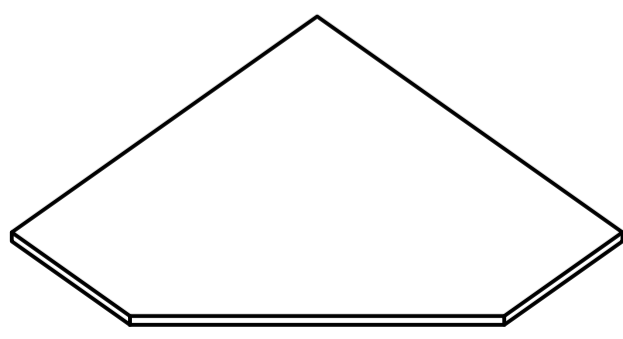
11x1



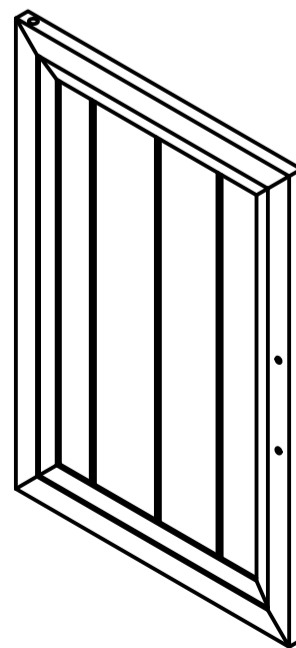
12x1



13x1



14x1



15x1

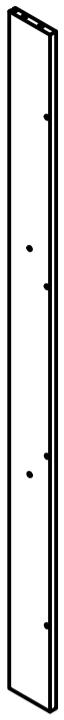


16x2

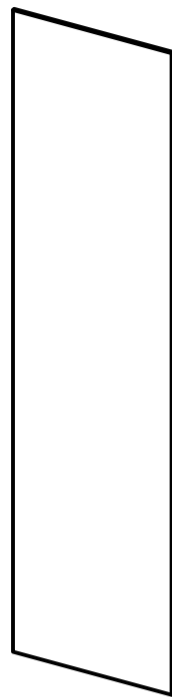
# Hardware list



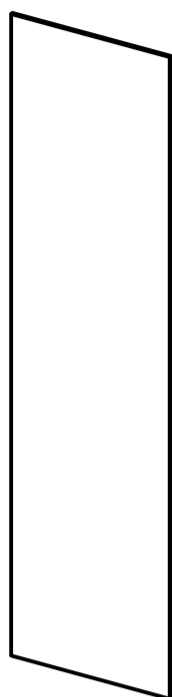
17x3



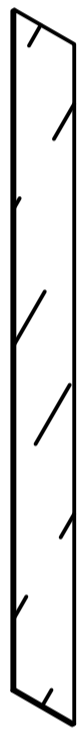
18x1



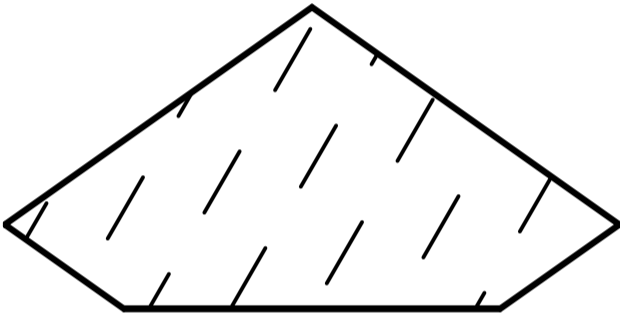
19x1



20x1



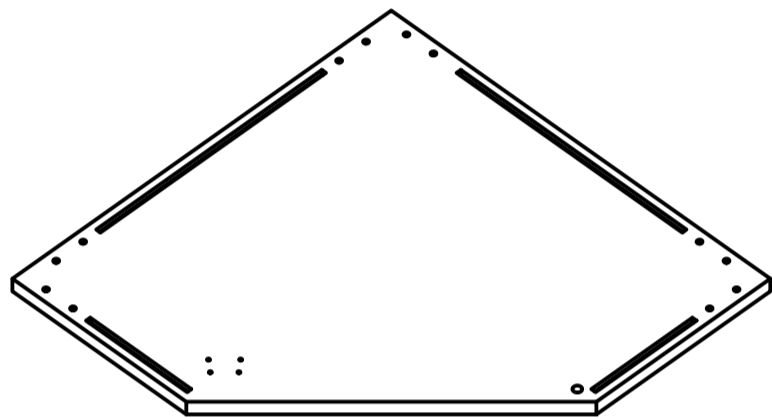
21x2



22x2

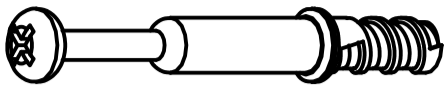

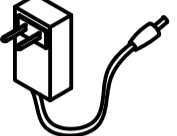






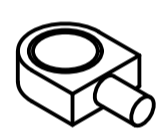

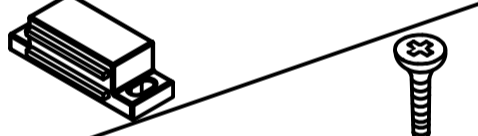


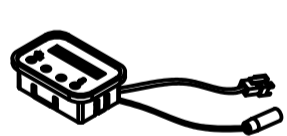
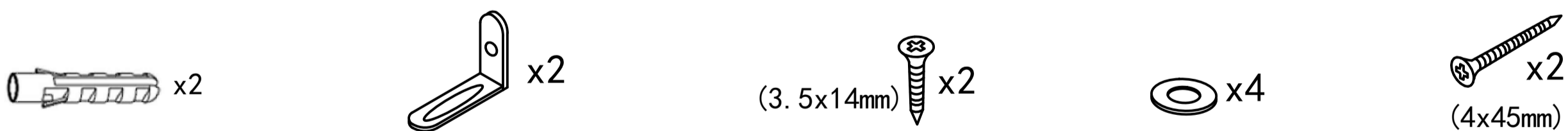


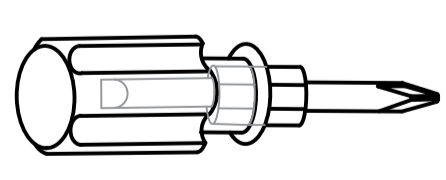
23x1



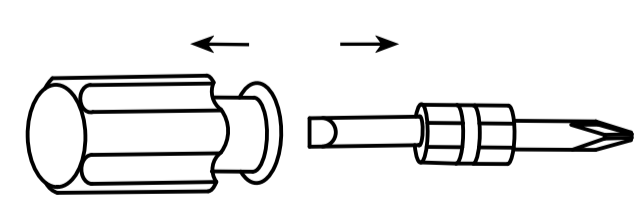
24x1

# Accessories list

A		Two In One Screw (6x28mm)	81pcs +4pcs
B		Two In One Nut (10x12mm)	81pcs +4pcs
C		AC/DC Adapter (12V=2.0A)	1pcs
D		Hinge	1pcs / 1pcs
		Rebound device & Screw (3x16mm)	4pcs +1pcs / 1pcs
		Iron sheet	2pcs / 1pcs
E		Fixing Clip & Screw (3x16mm)	20pcs +2pcs
F		Handle & Screw (4x18mm)	1pcs / 2pcs +1pcs
G		Wire Clamp	2pcs
H		Laminate support nail	14pcs +1pcs
I		Glass clip fastening	4pcs +1pcs
J		Door Magnet & Screw (3x16mm)	1pcs / 2pcs +1pcs
K		Iron Sheet & Screw (2.6x10mm)	1pcs / 2pcs +1pcs
L		Door shaft	2pcs
M		AC/DC Adapter (12V=3.0A)	1pcs
N	<p>Anti tipping hardware</p> 		

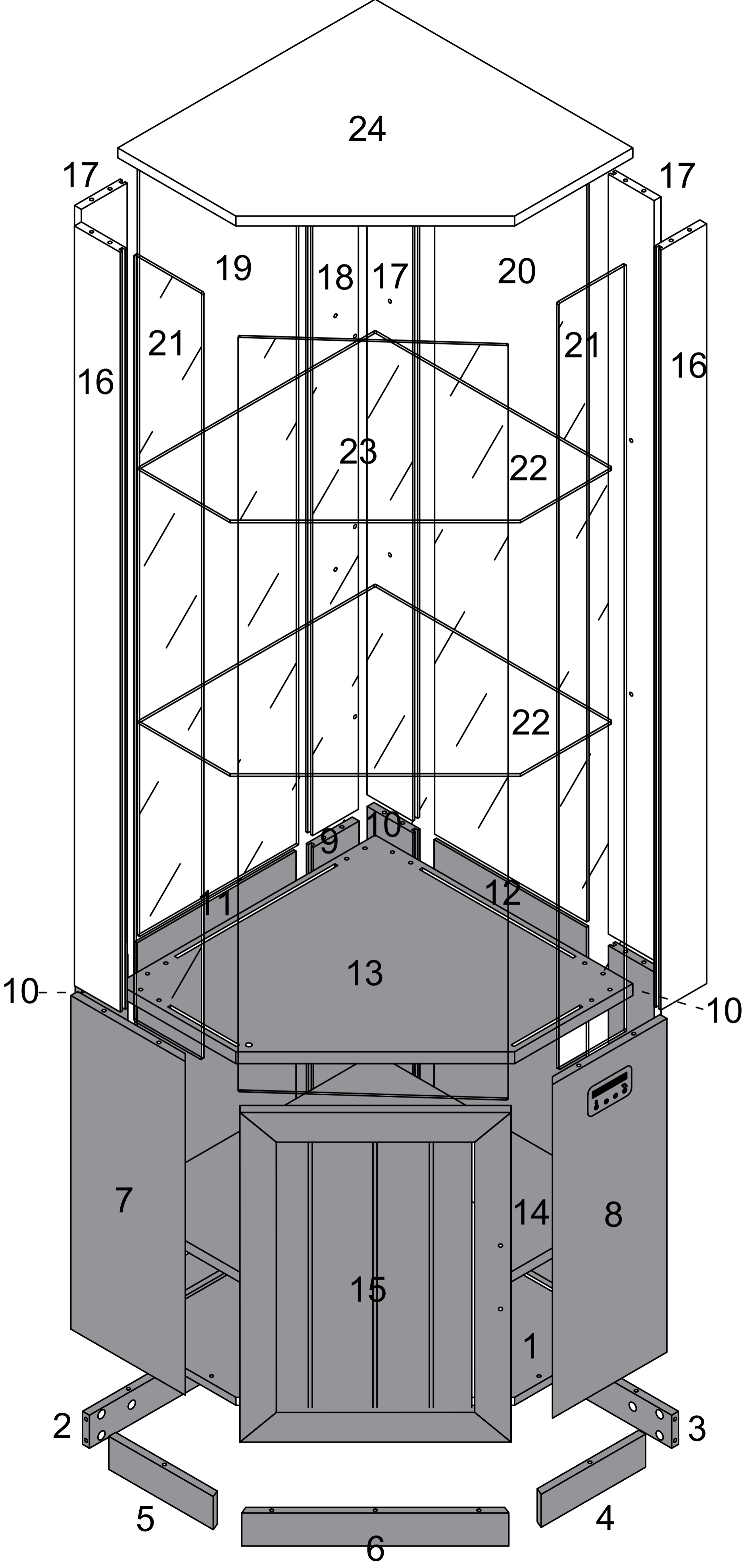


1pcs



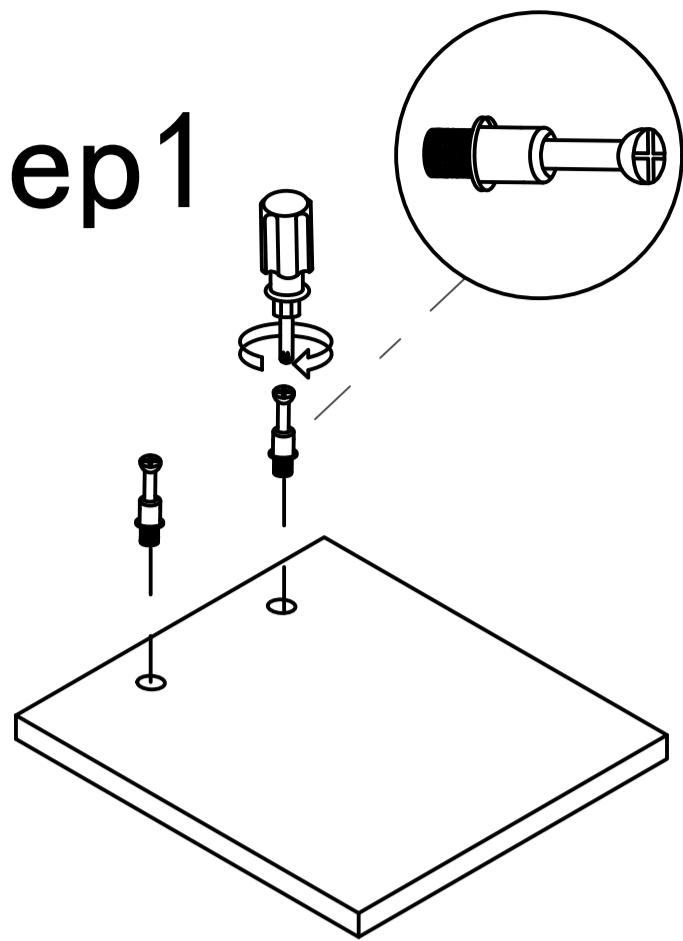
Double-head screwdriver, use as required

# Product Installation Instructions

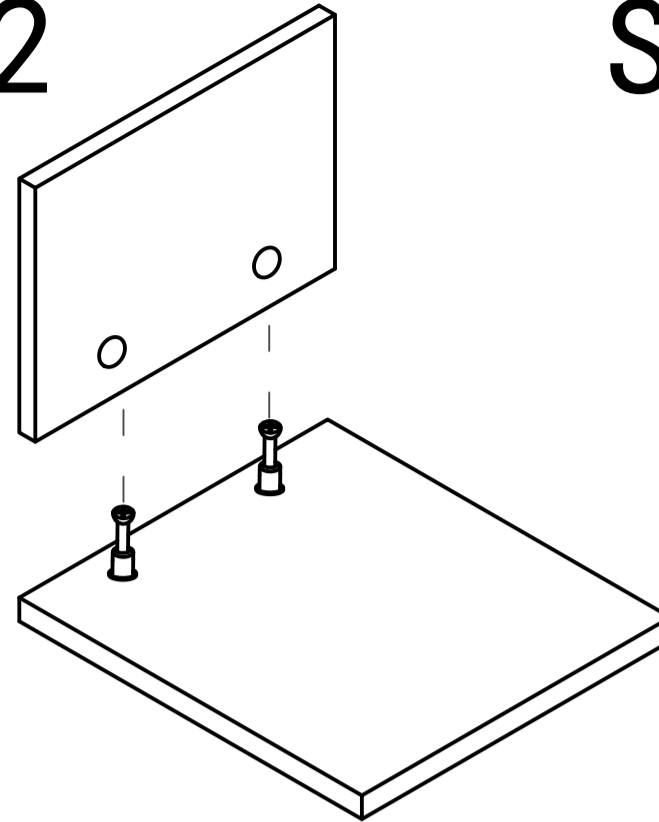


# Use parts A and B

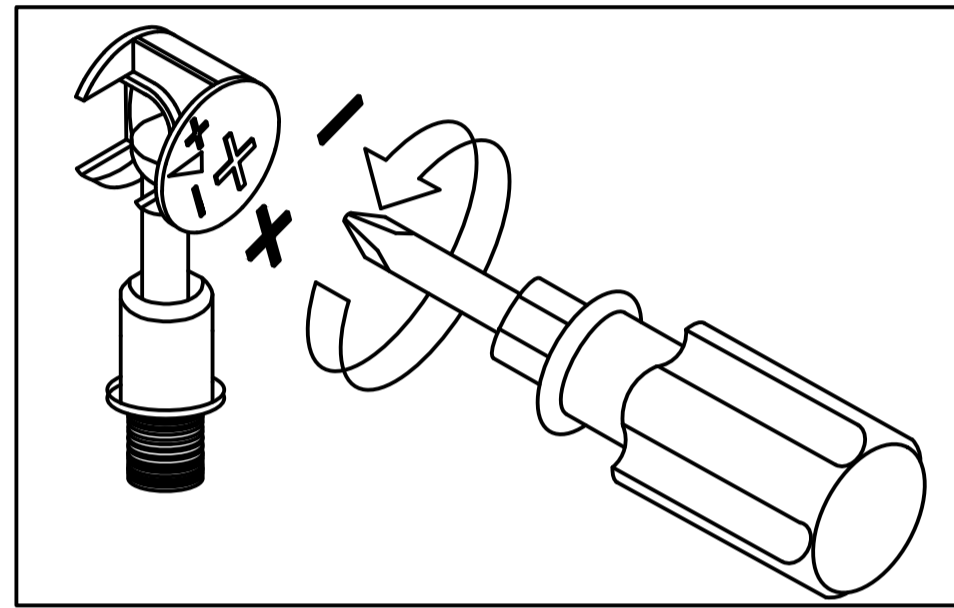
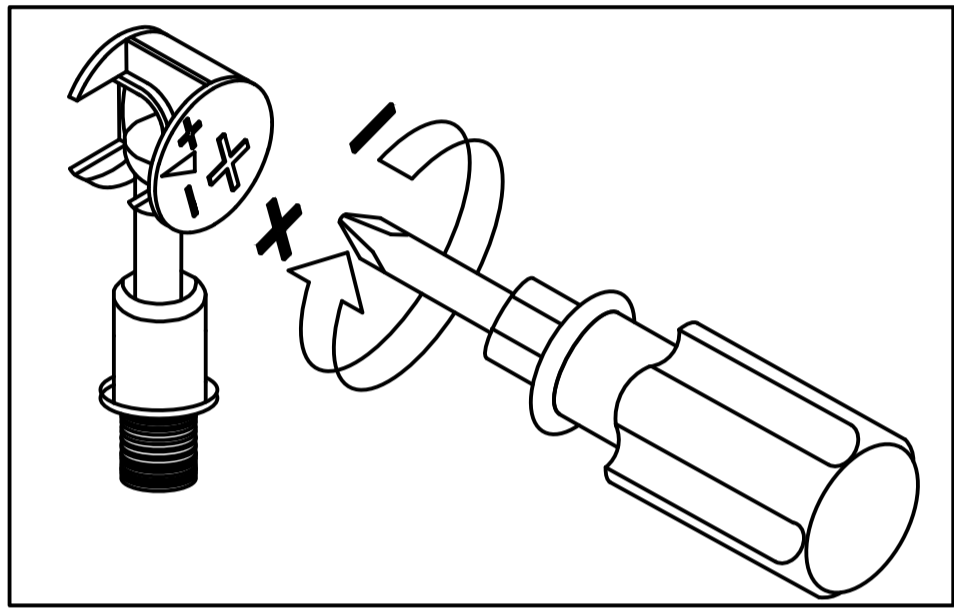
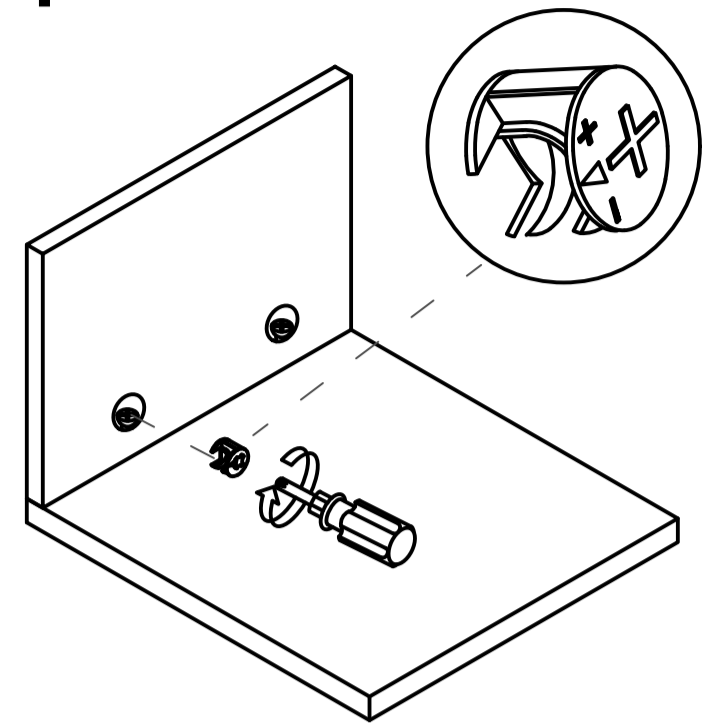
Step 1



Step 2



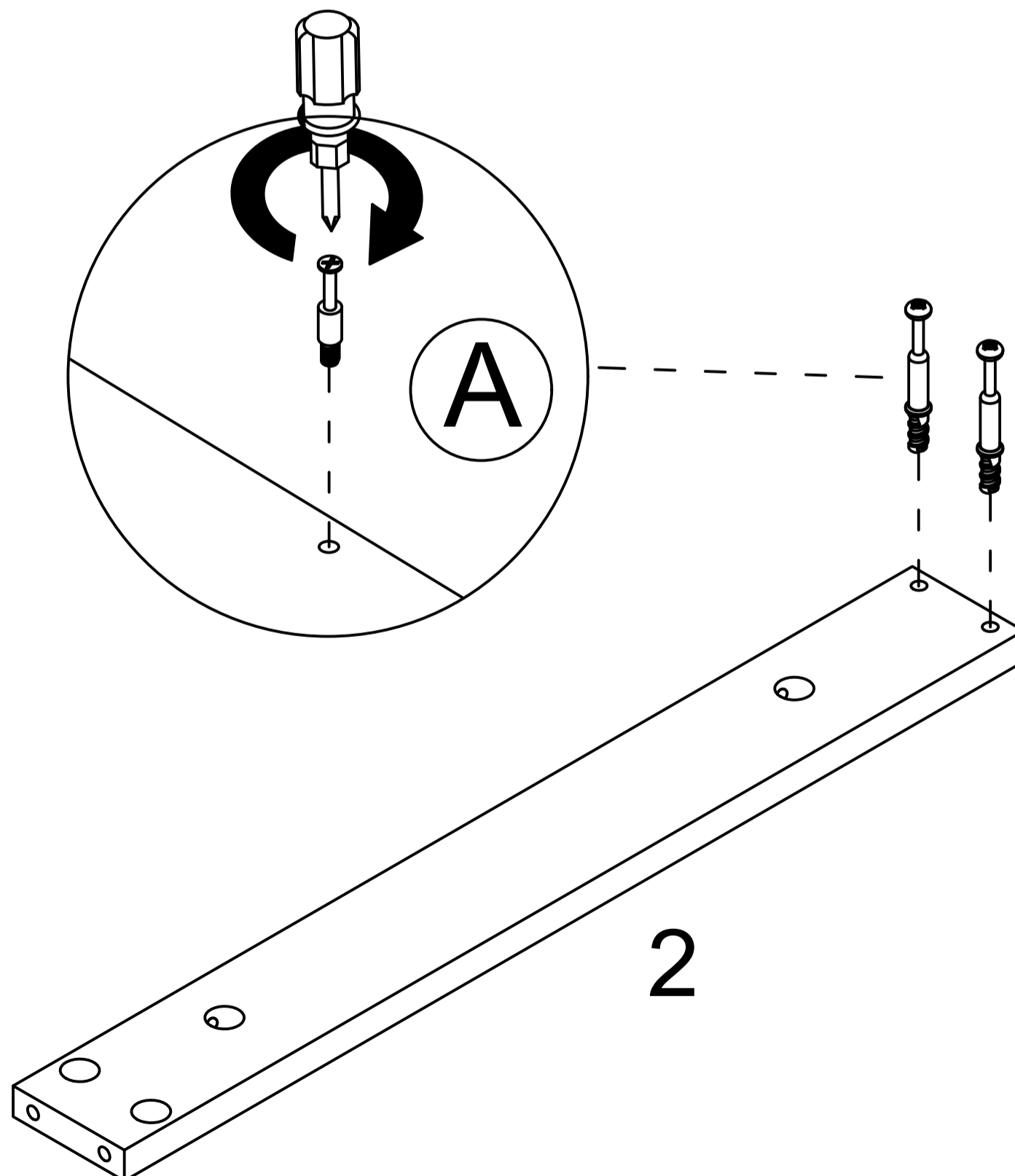
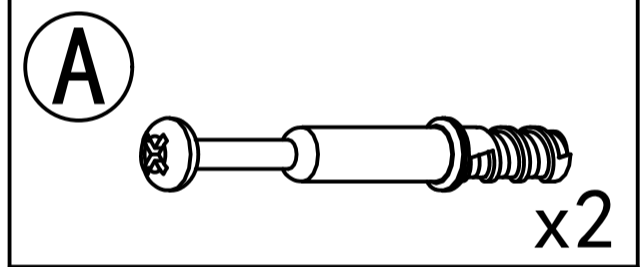
Step 3



Use a screwdriver to lock in the direction of the "+" sign

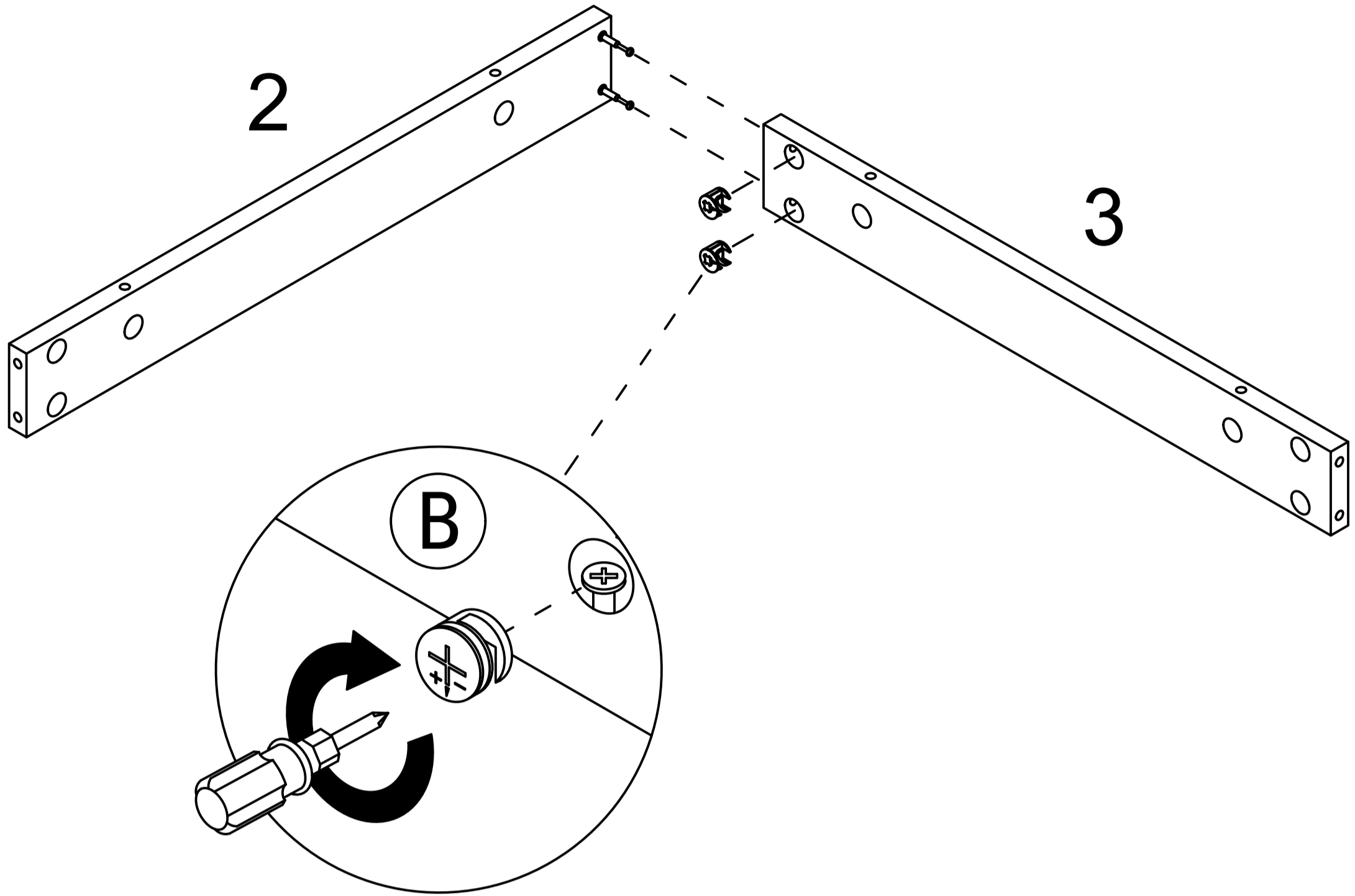
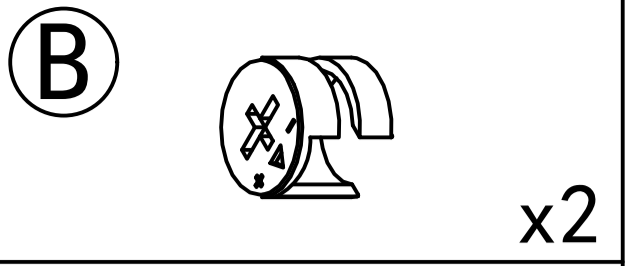
Disassemble along the direction of "-" sign

Step 1

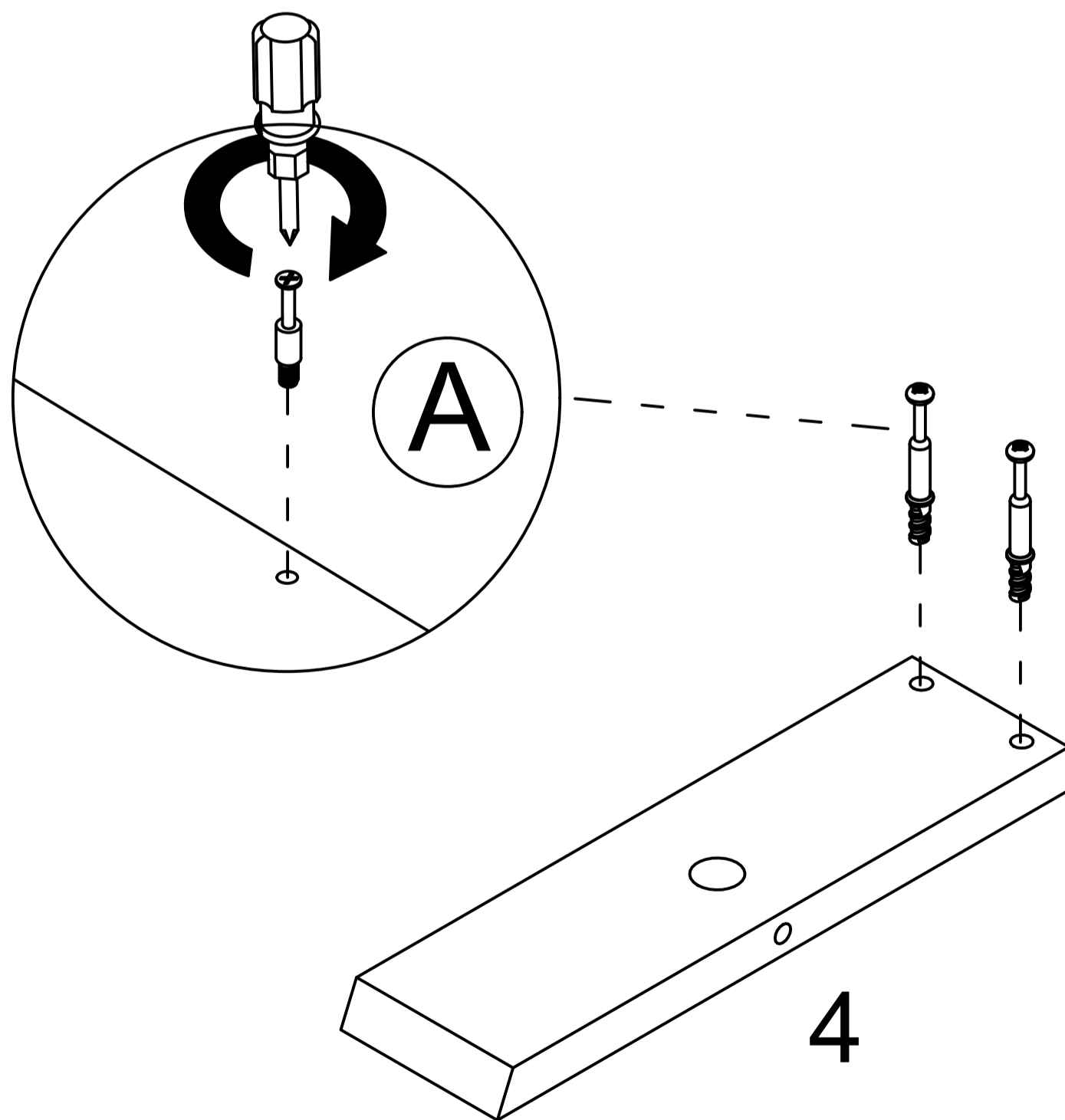
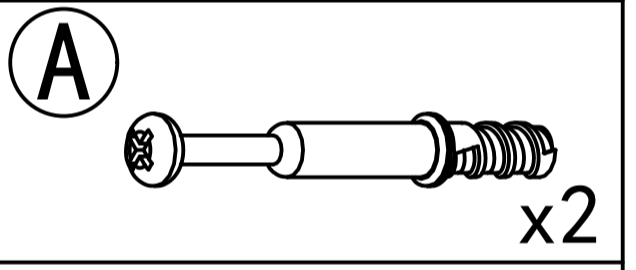


6

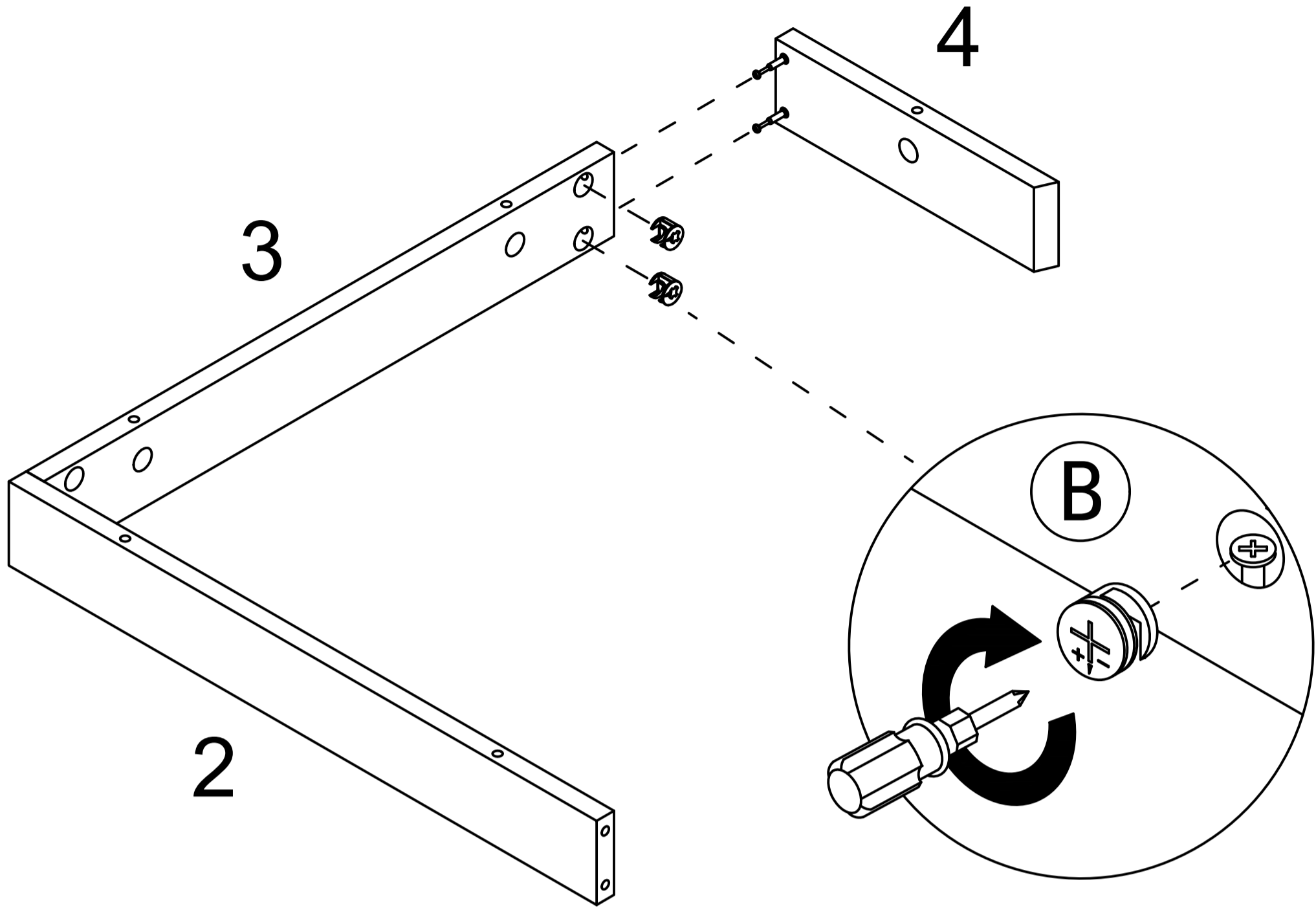
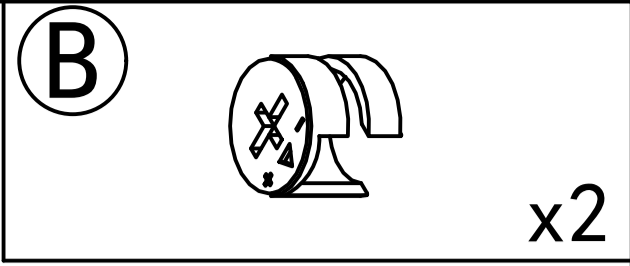
Step 2



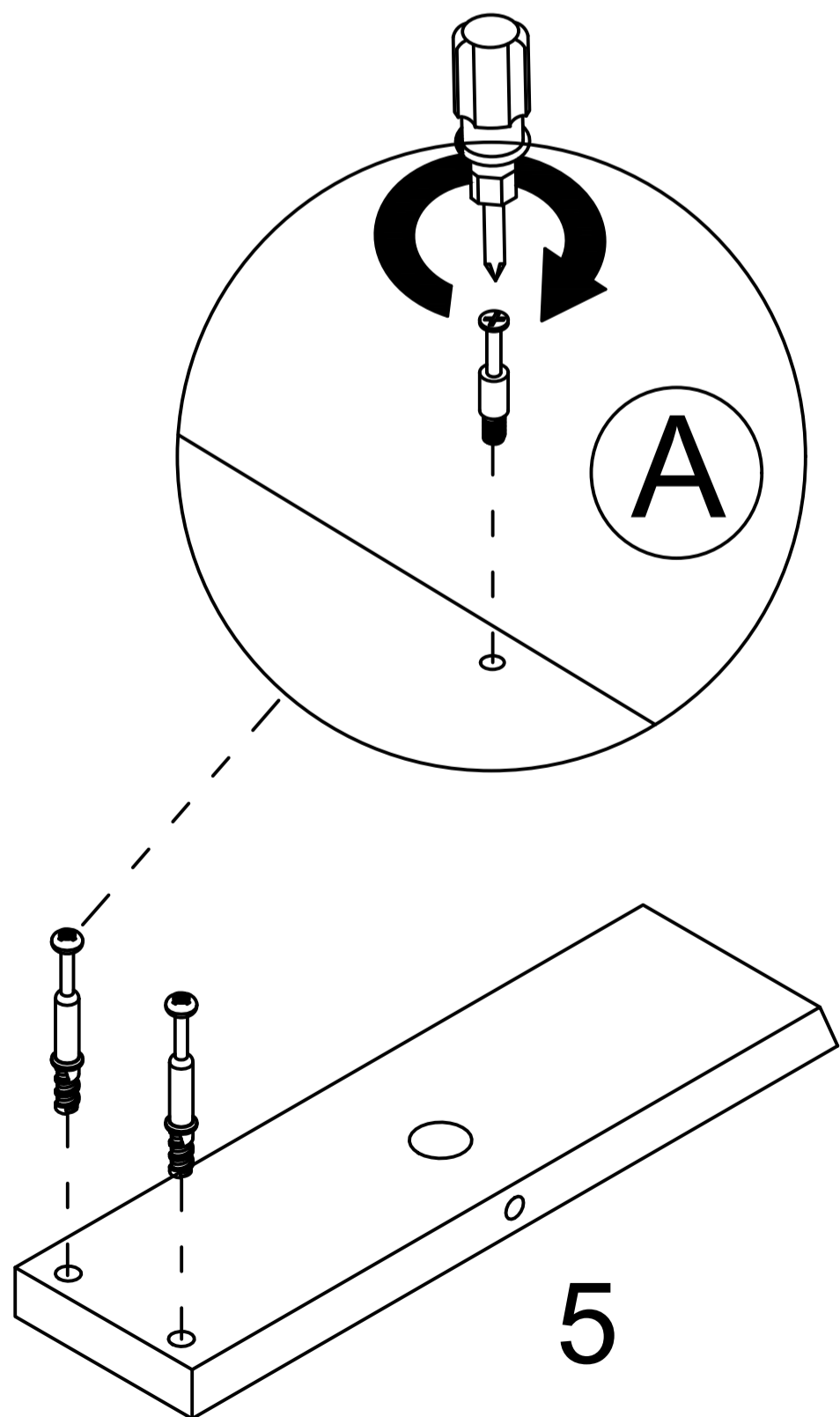
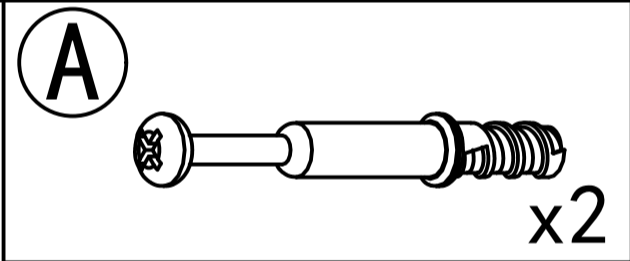
Step 3



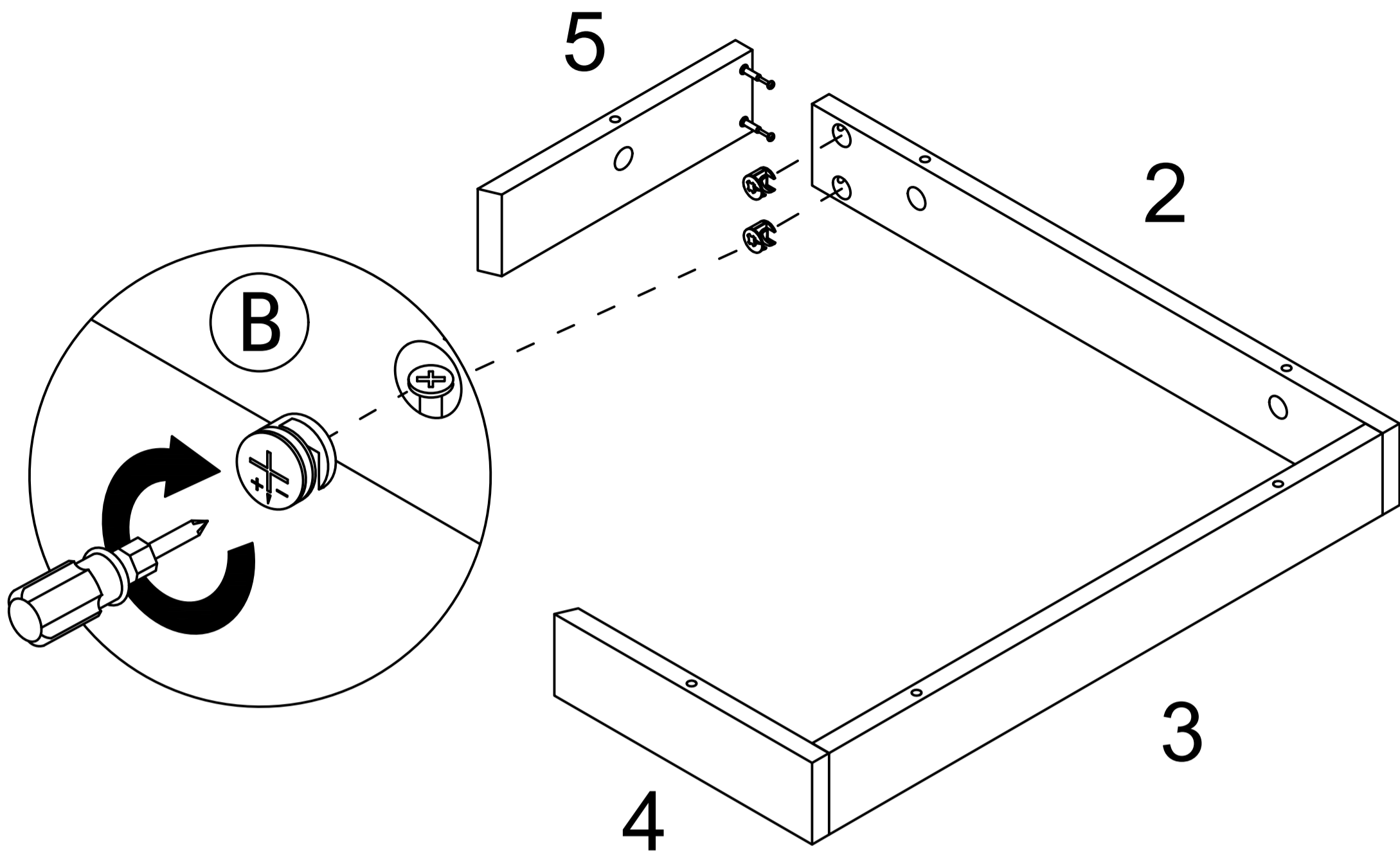
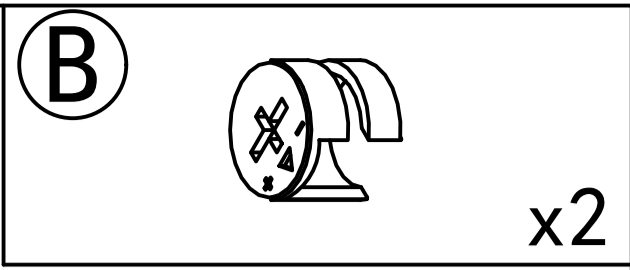
Step 4



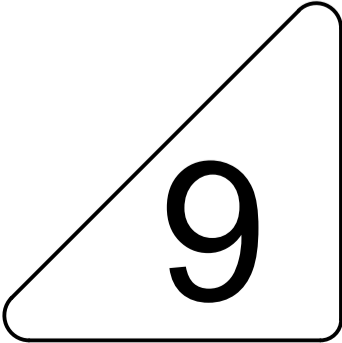
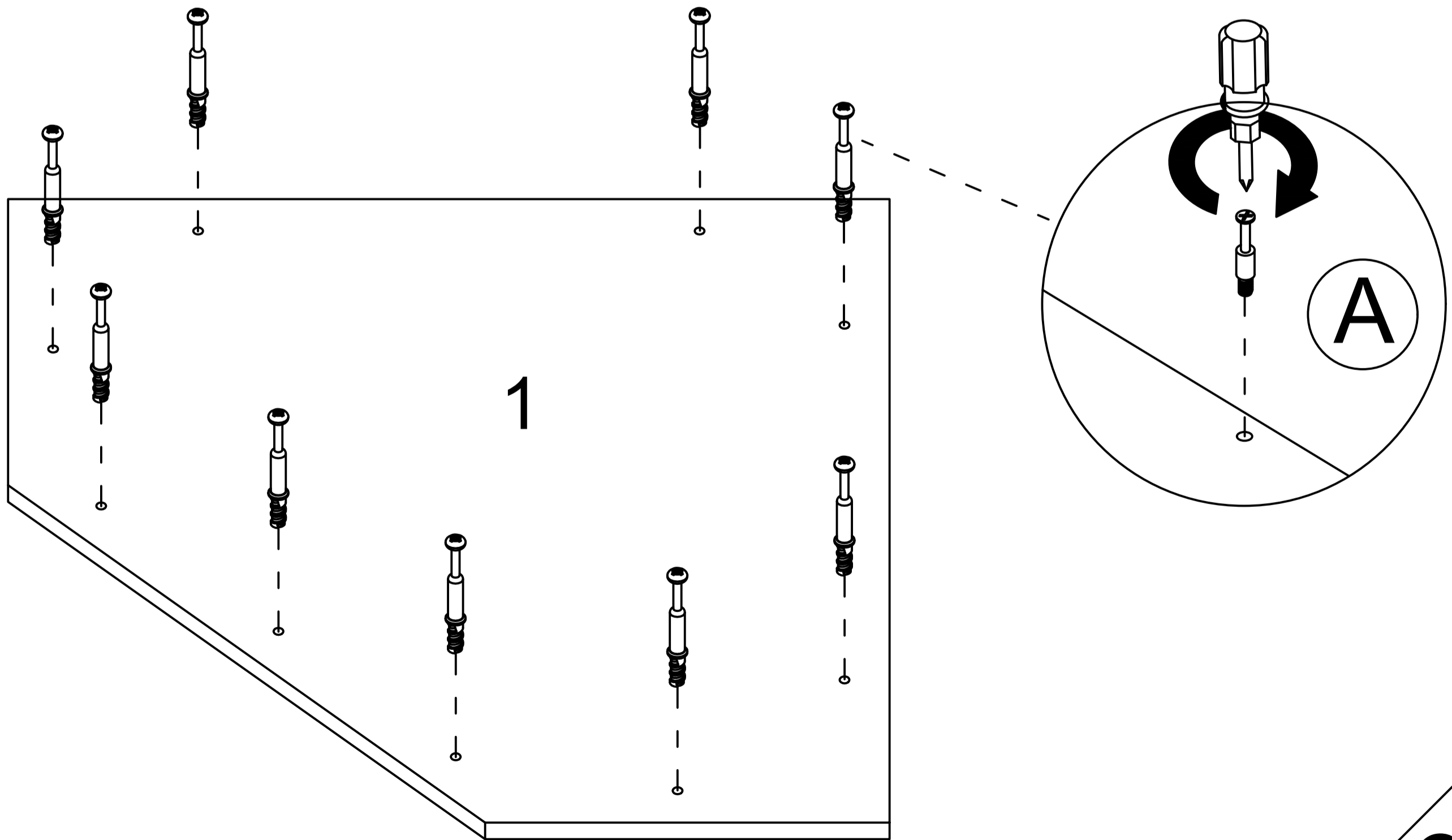
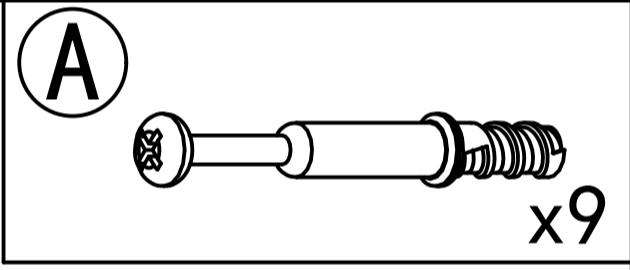
Step 5



Step 6

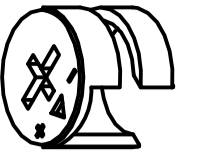


Step 7

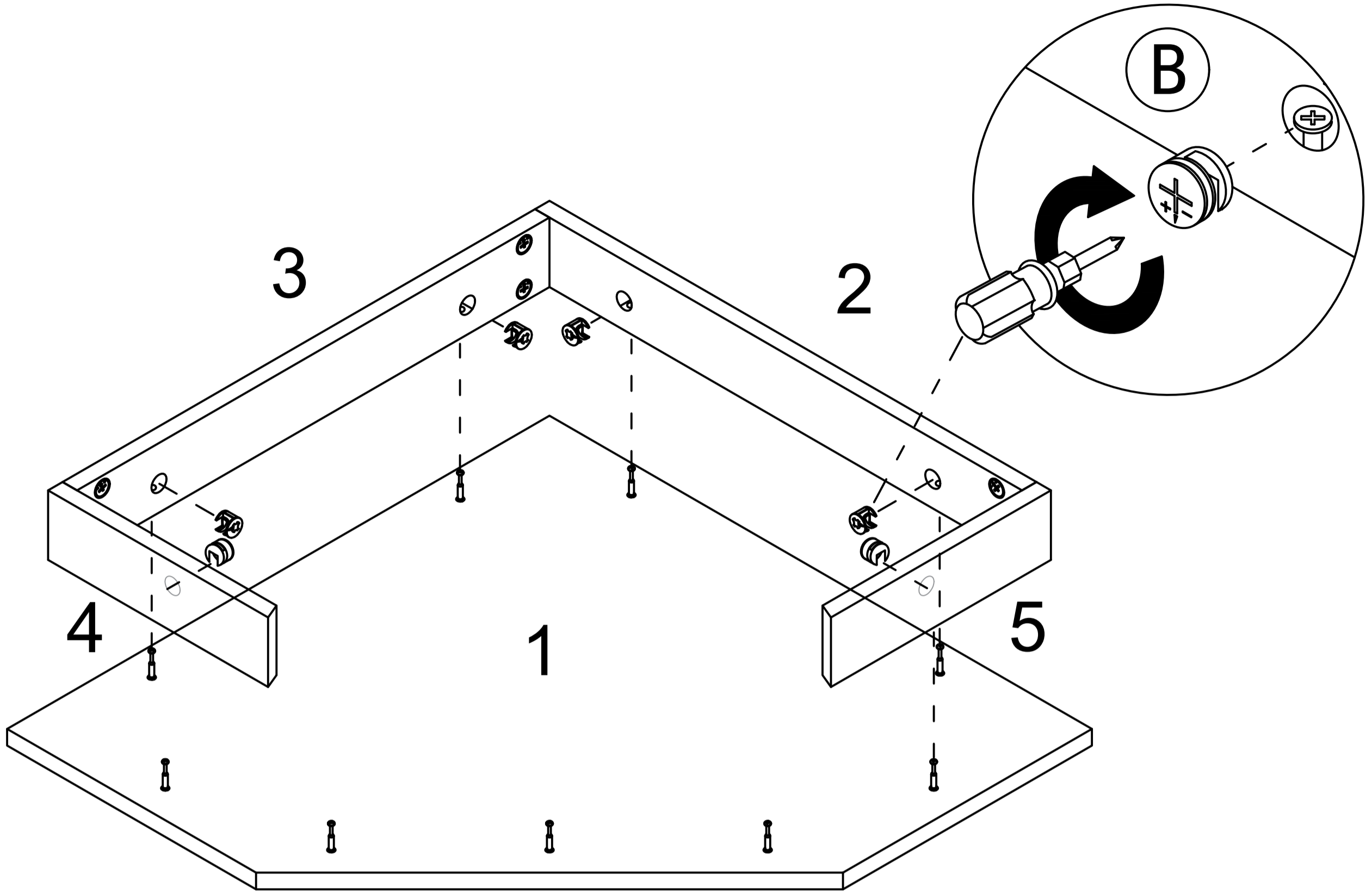


Step 8

B



x6

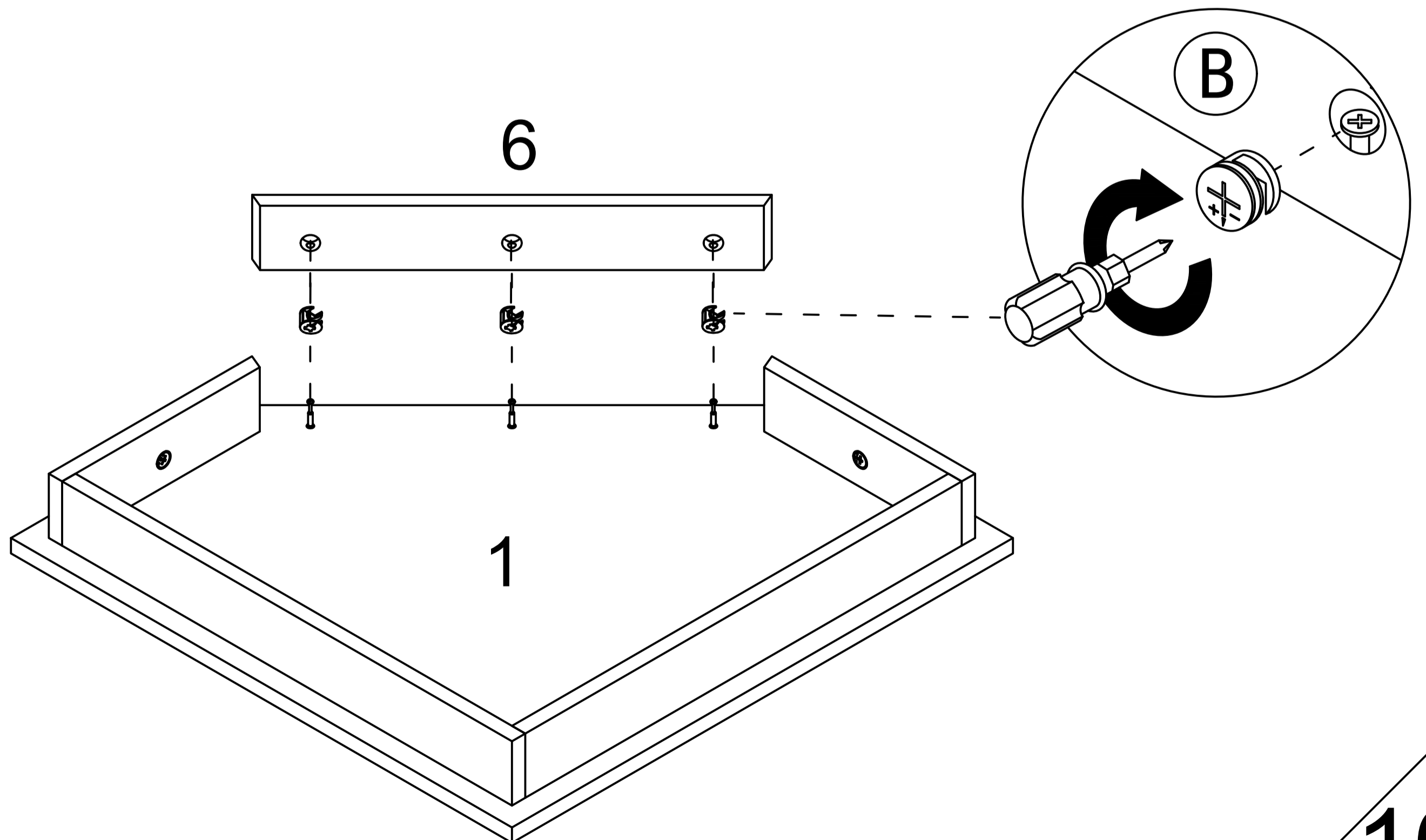


Step 9

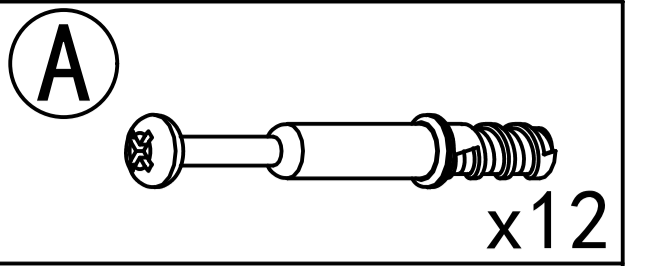
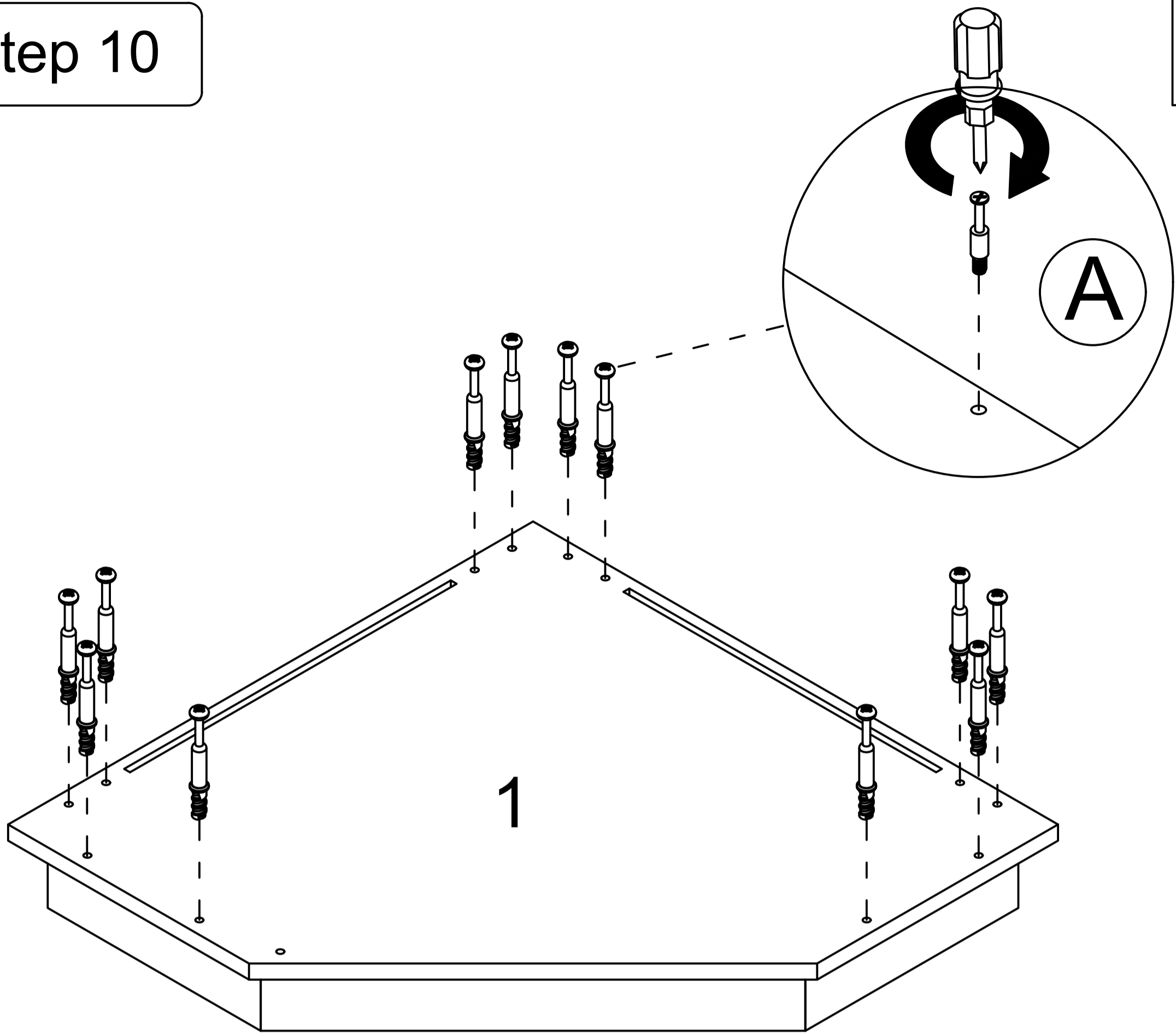
B



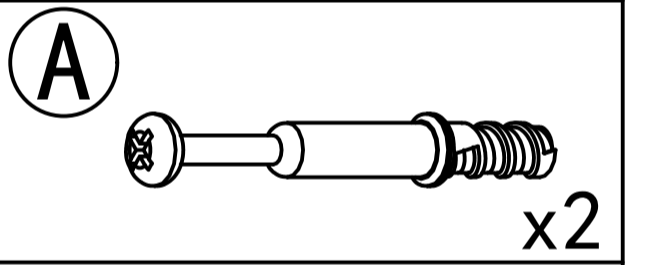
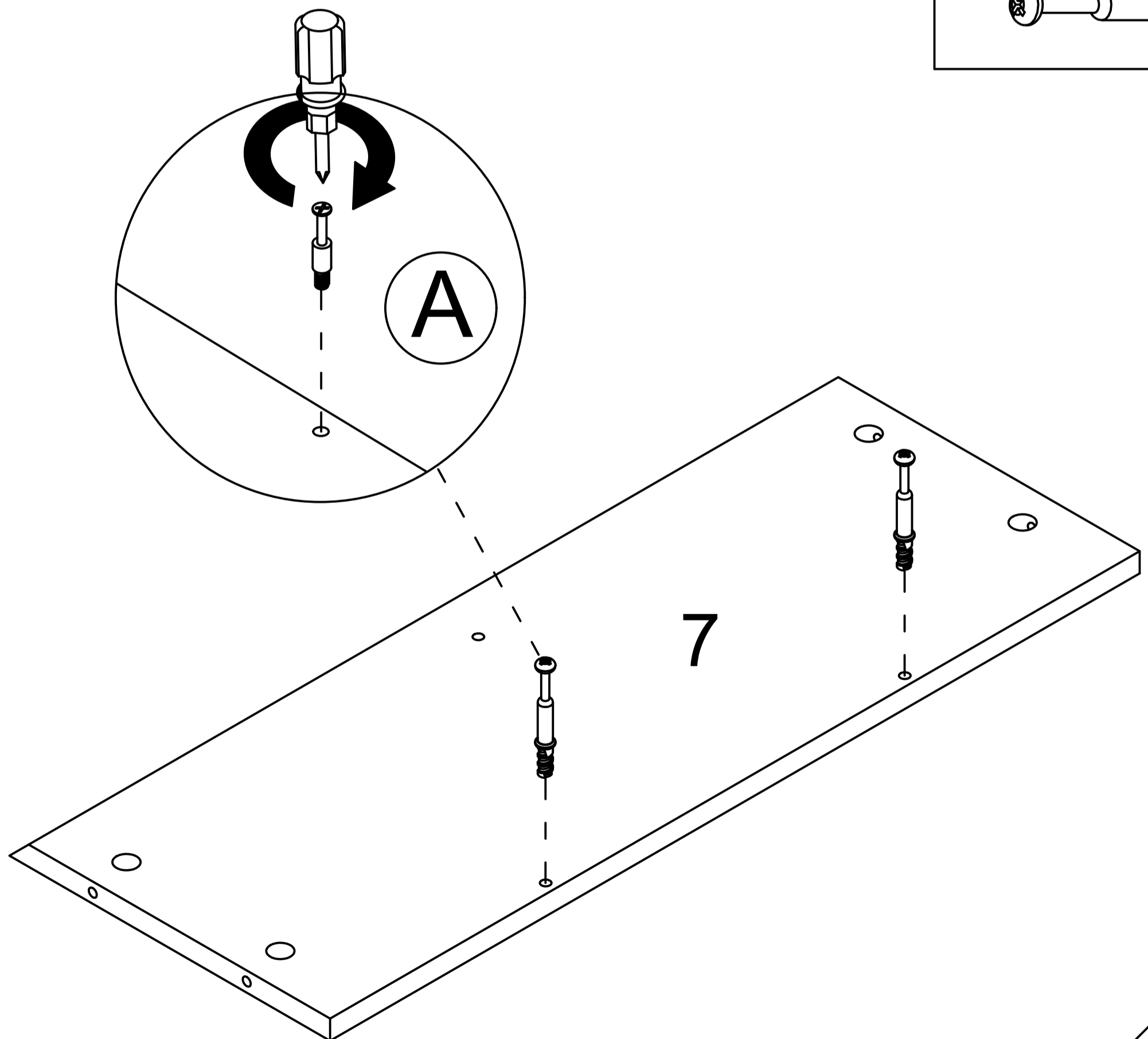
x3



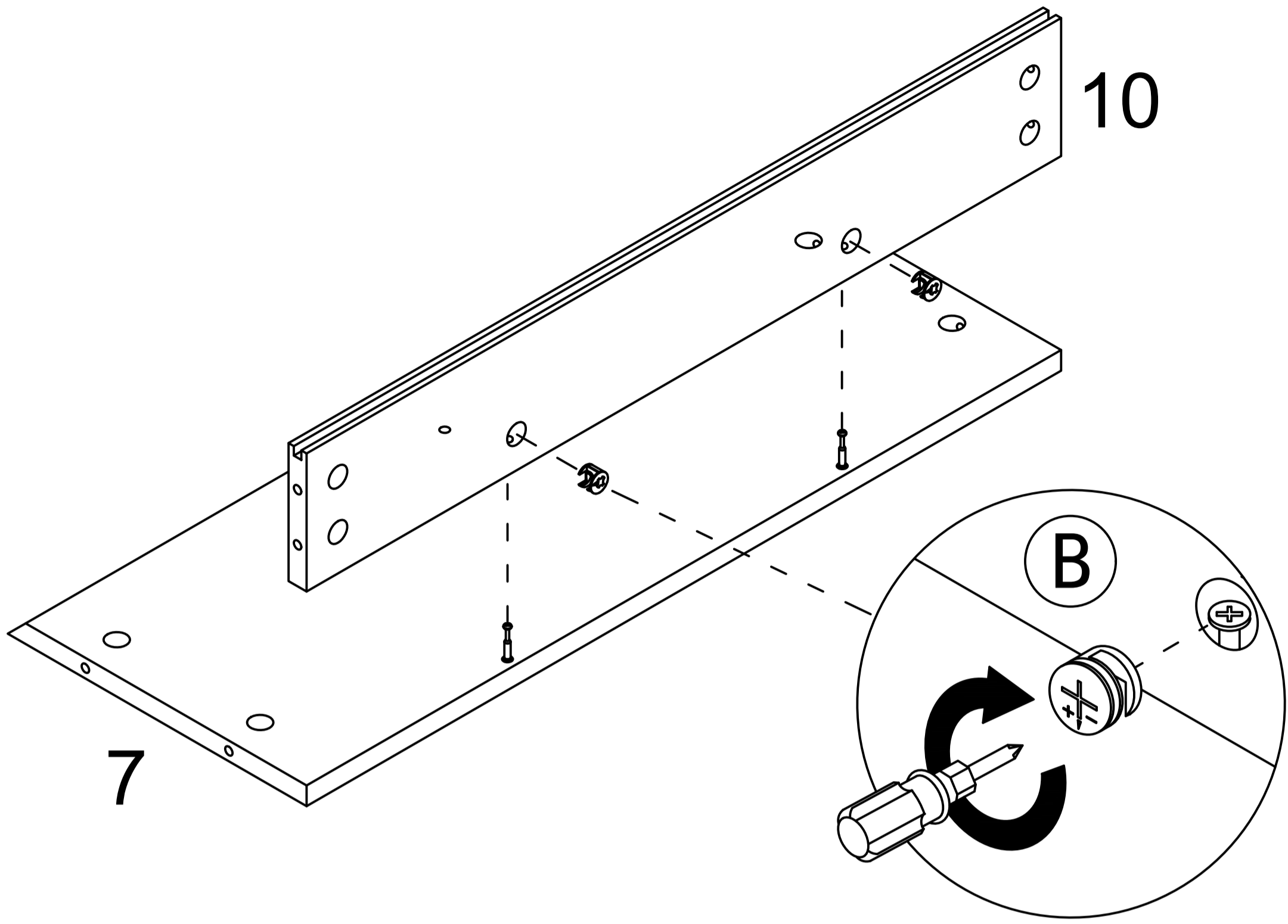
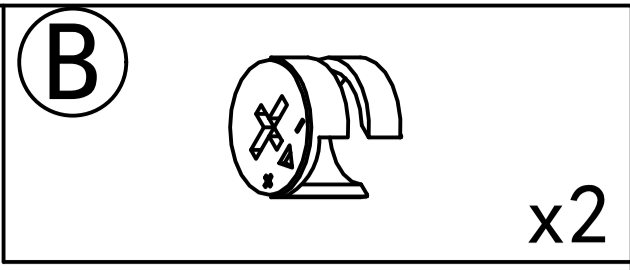
Step 10



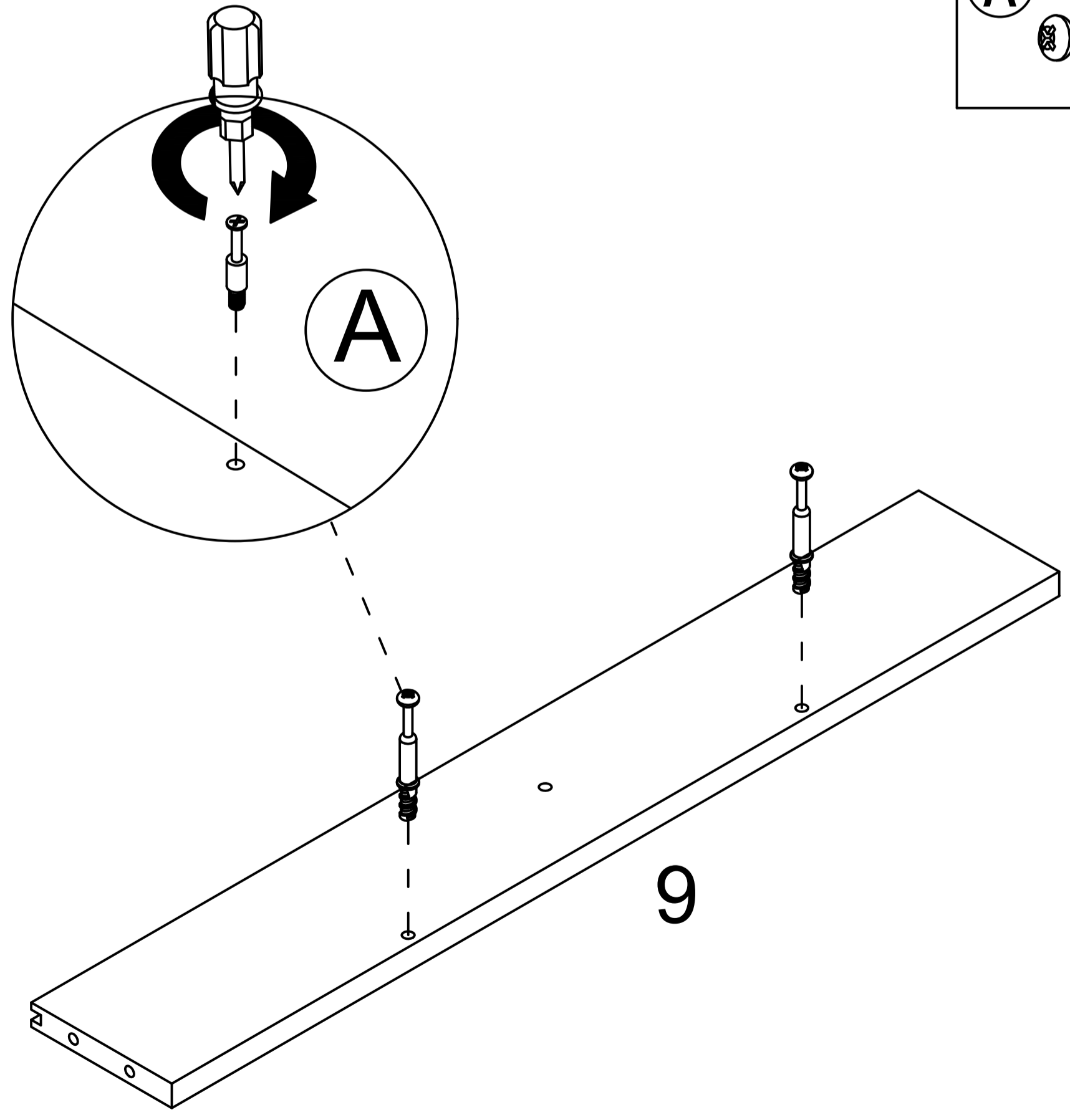
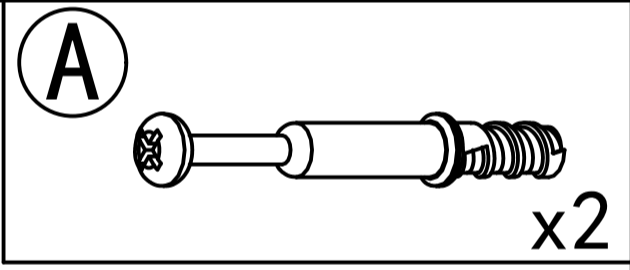
Step 11



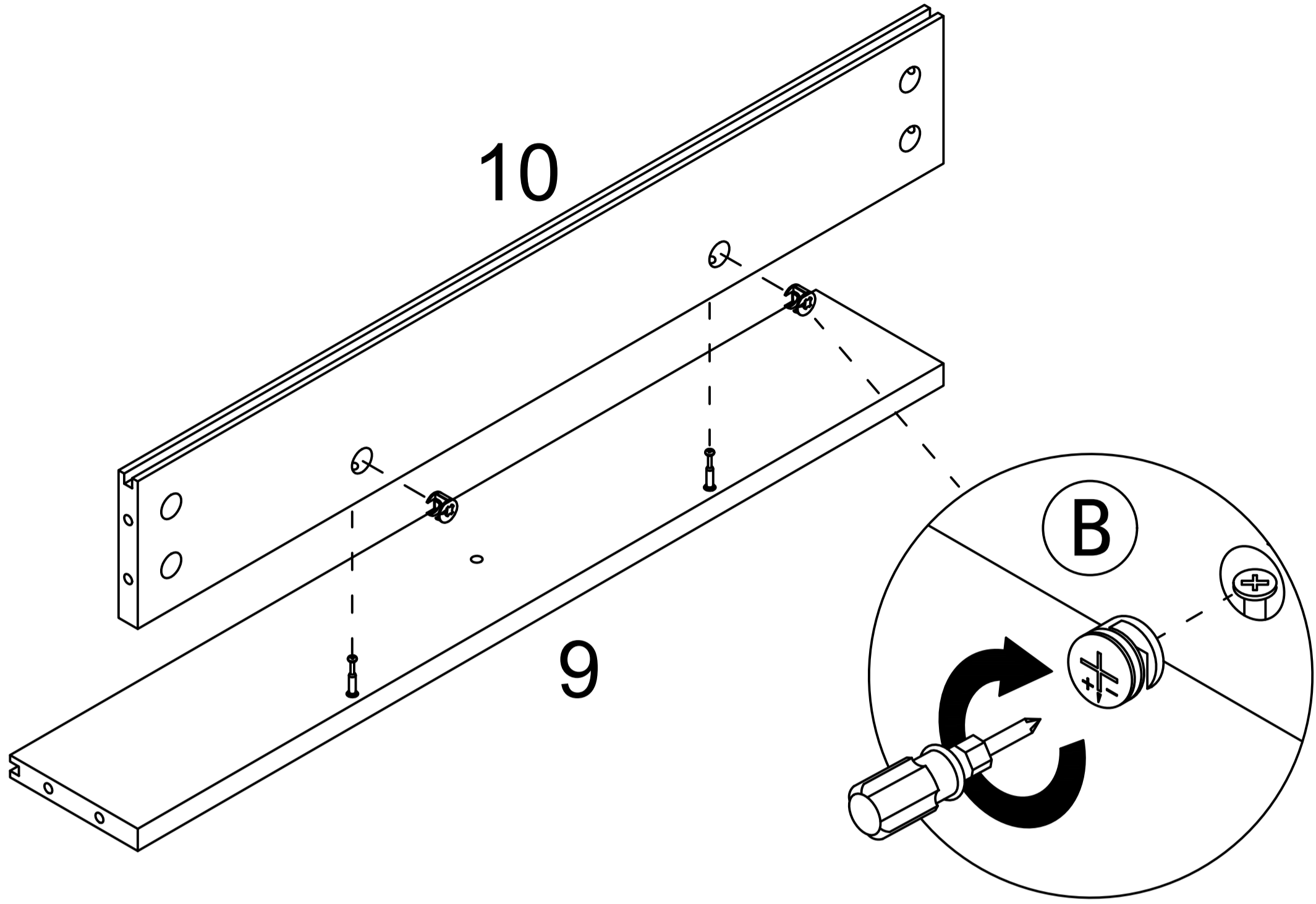
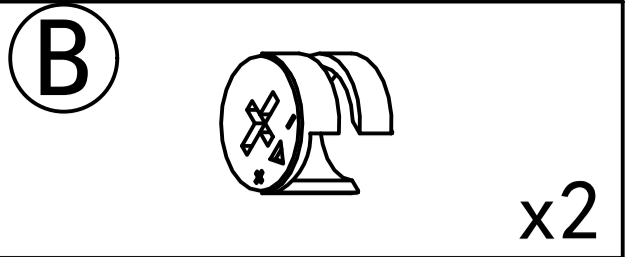
Step 12



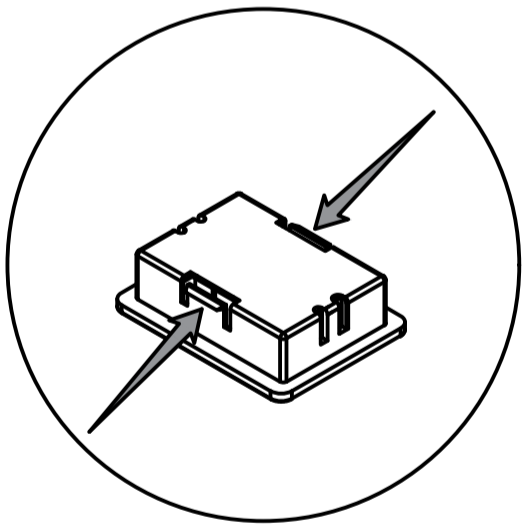
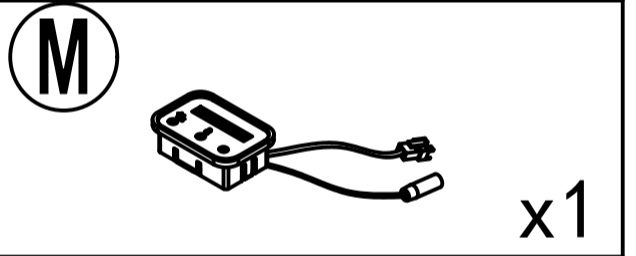
Step 13



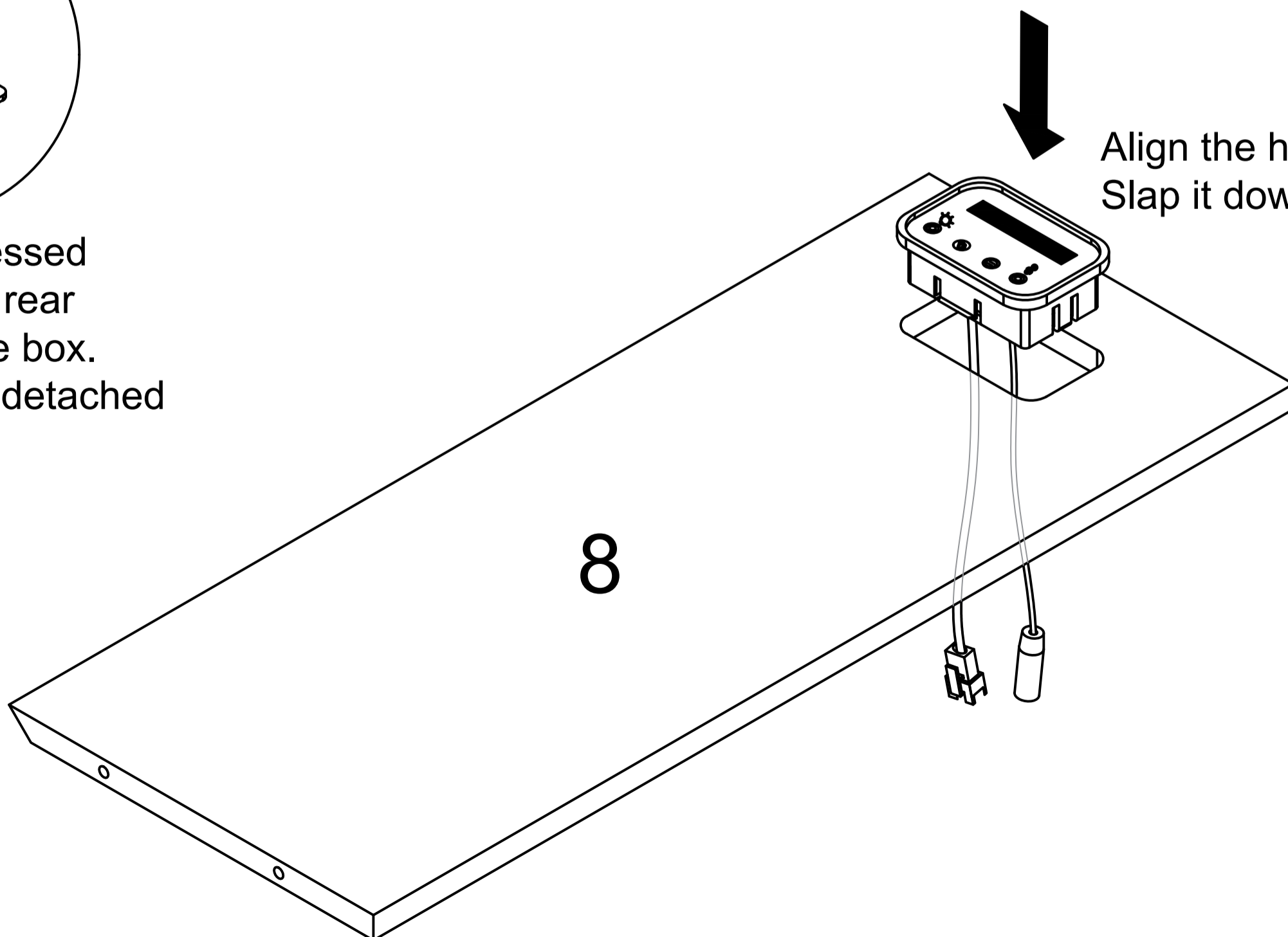
# Step 14



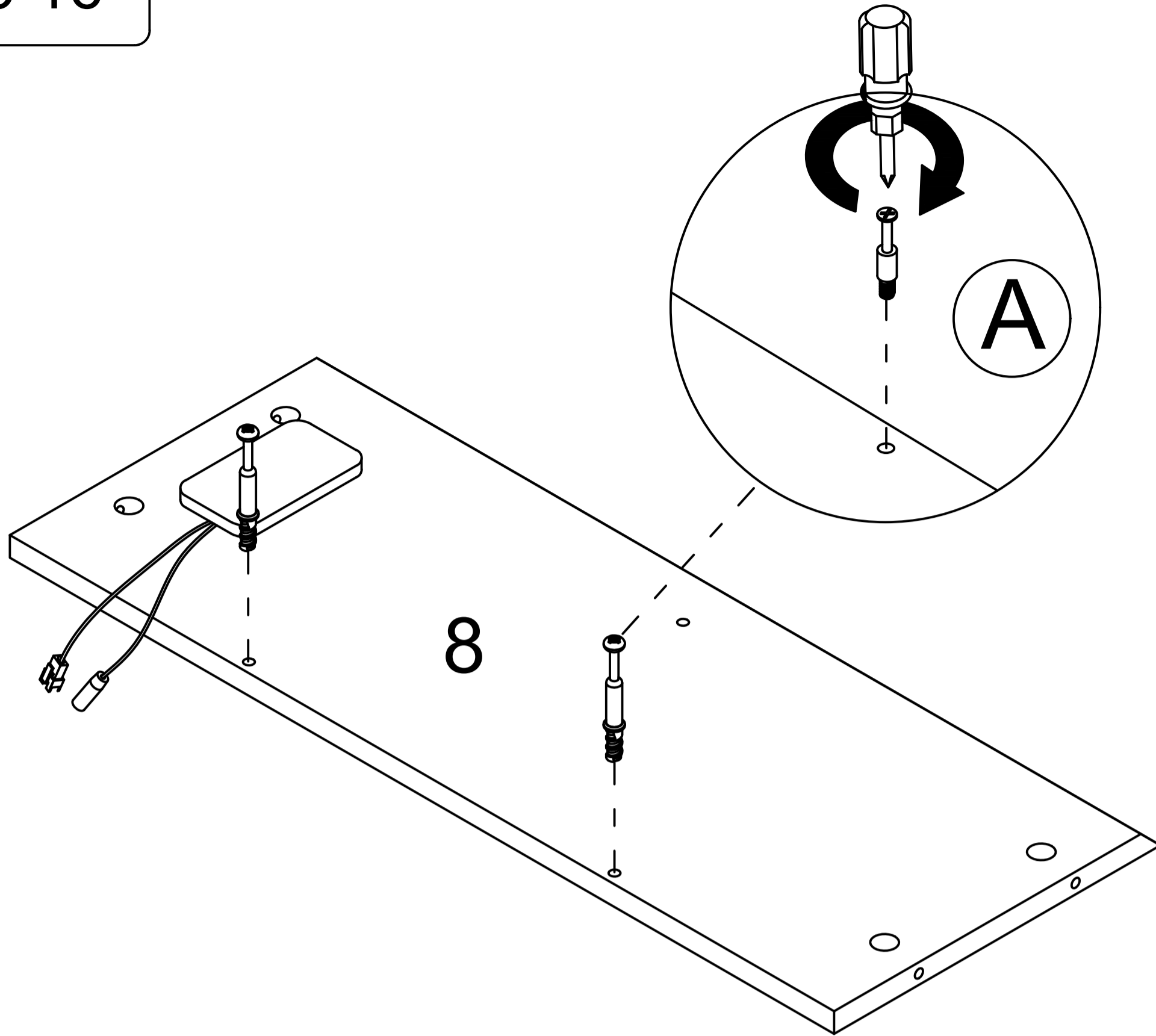
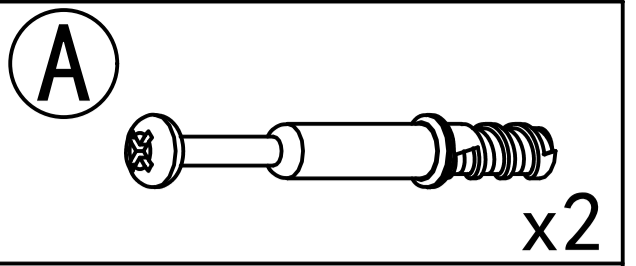
# Step 15



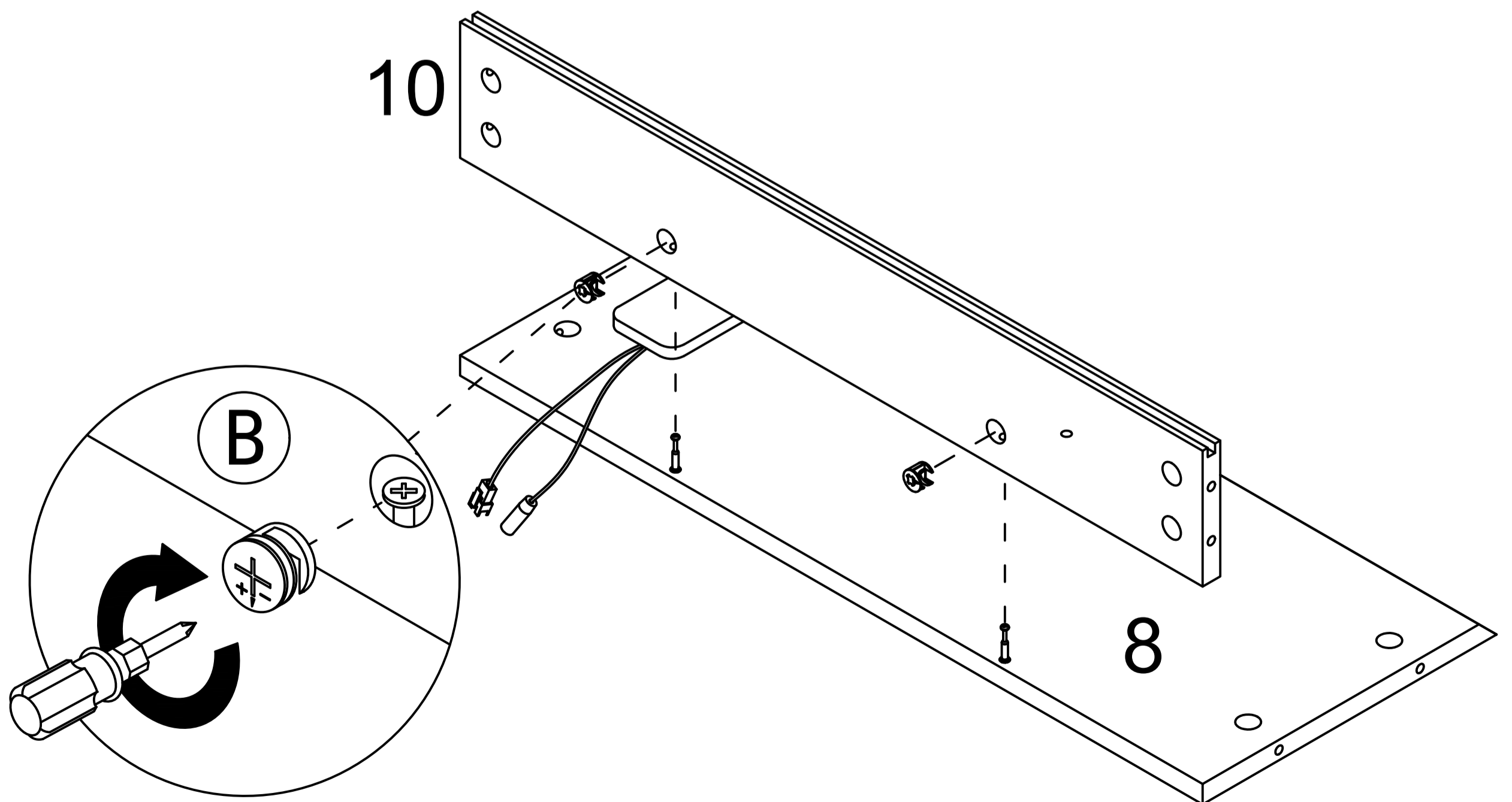
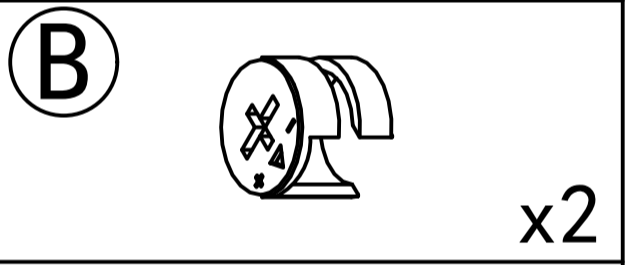
The two are pressed together on the rear protrusion of the box. The box will be detached from the board.



Step 16



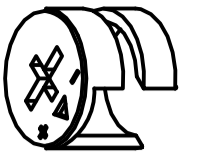
Step 17



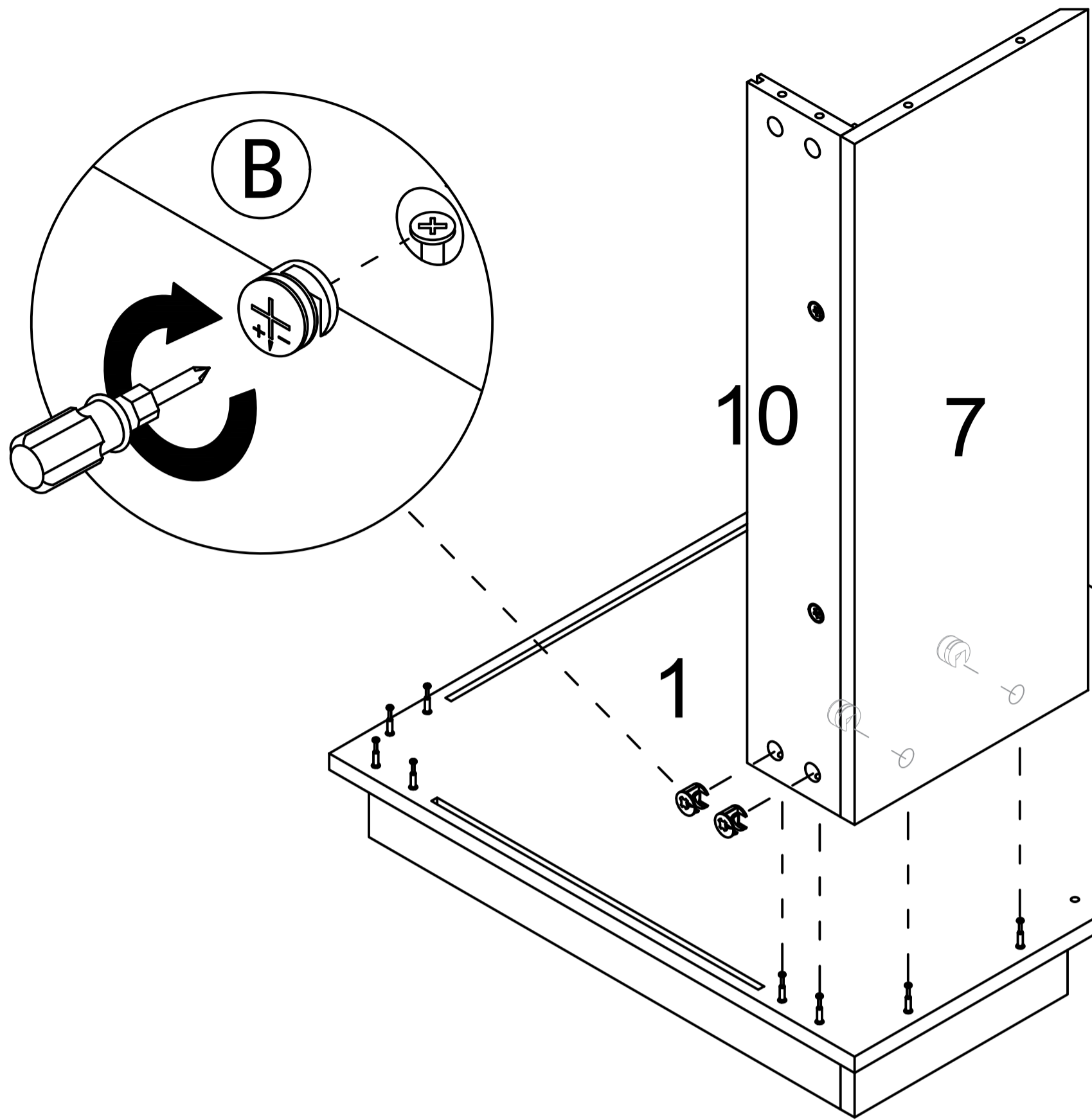
When assembling the No. 10 board, it cannot be pressed against the line

Step 18

B

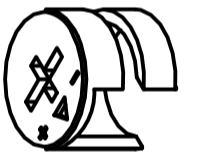


x4

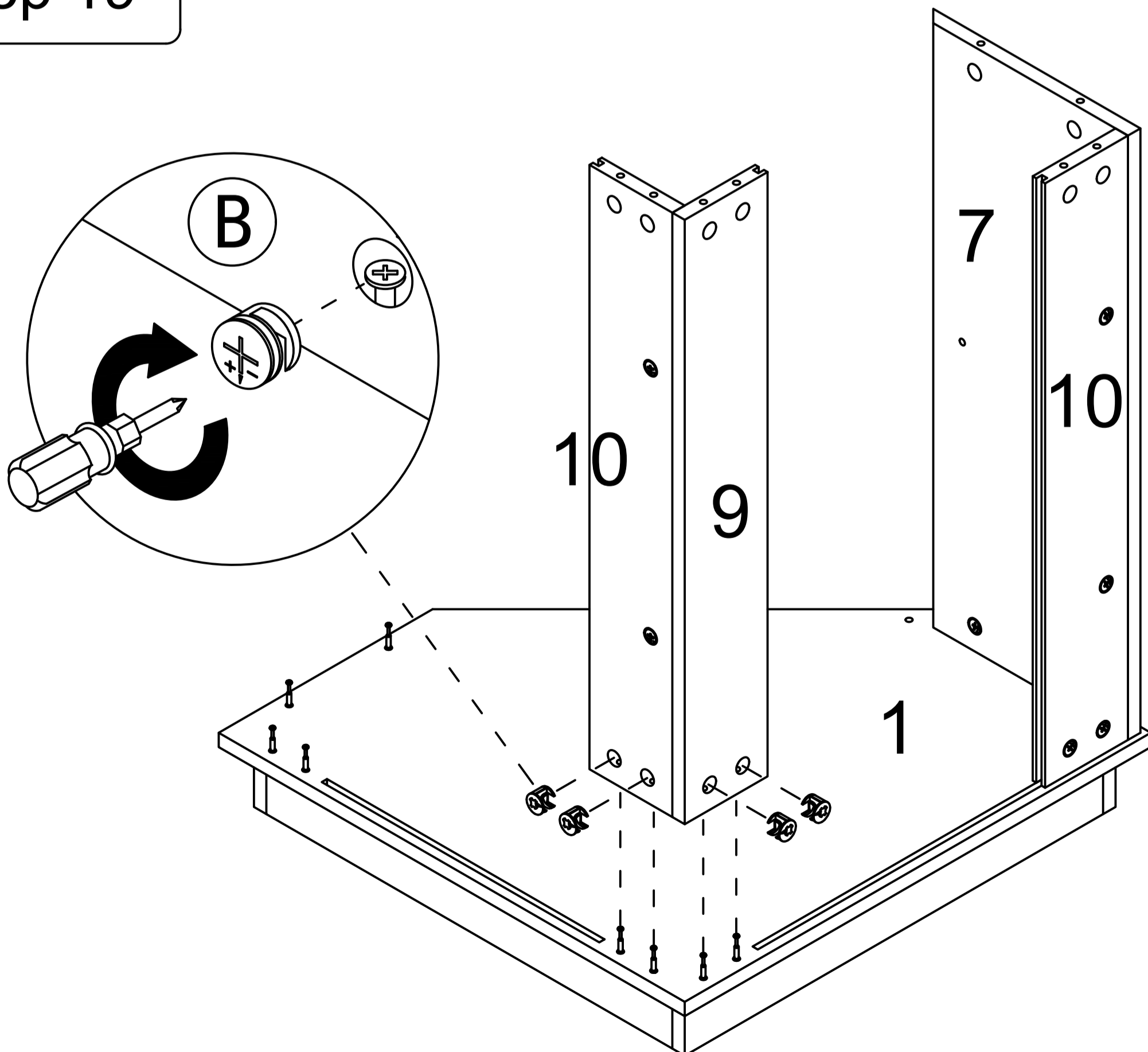


Step 19

B

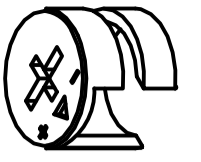


x4

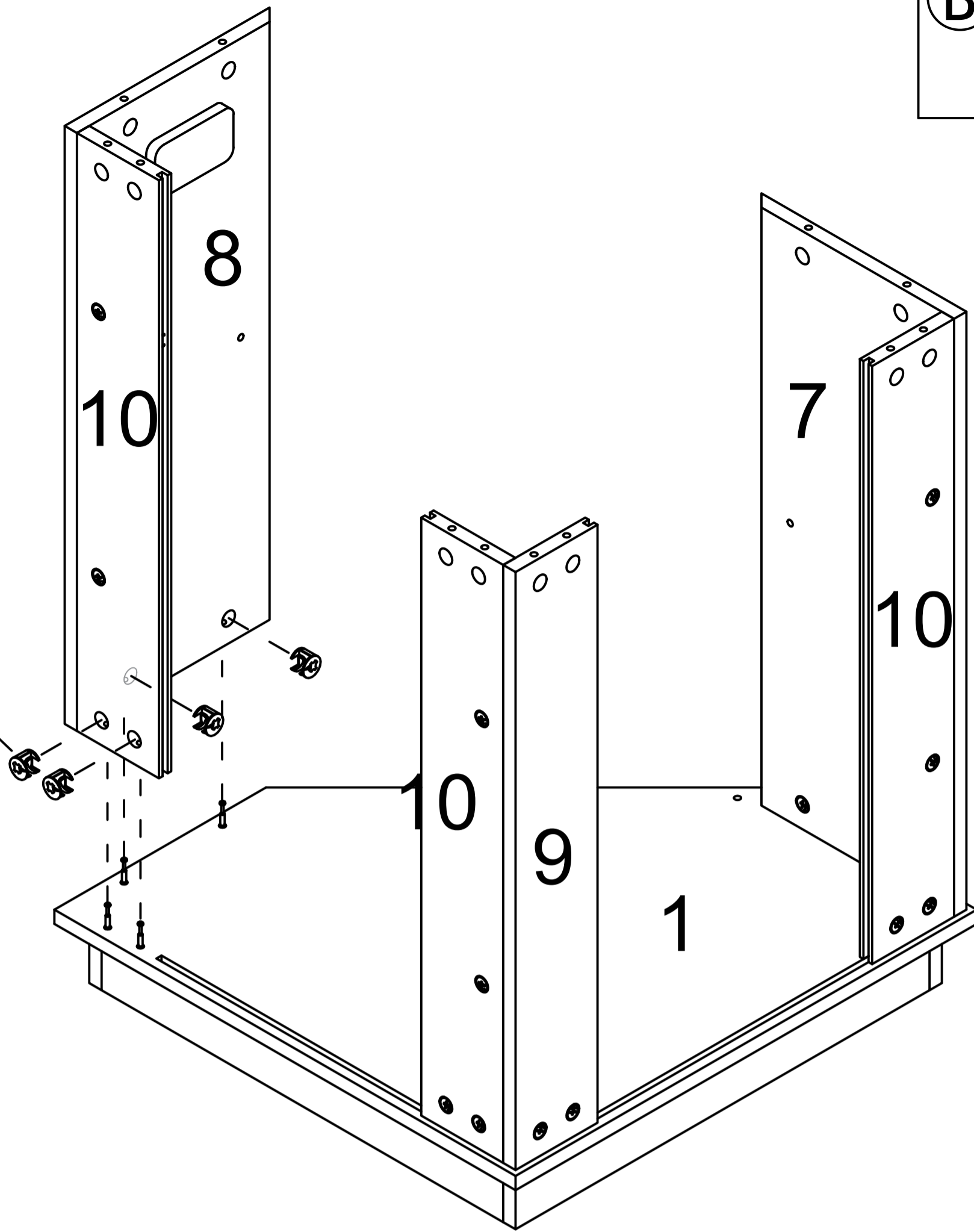
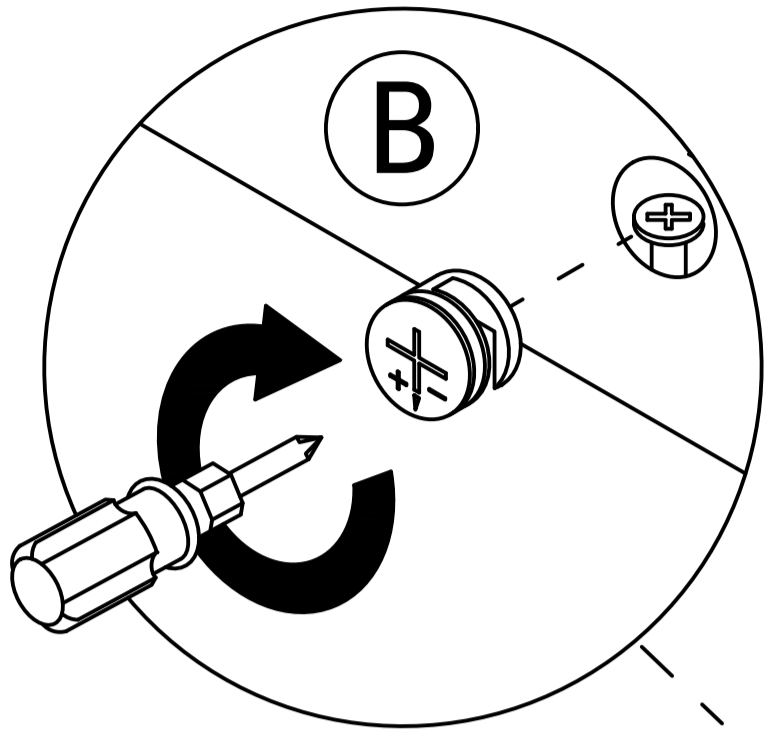


Step 20

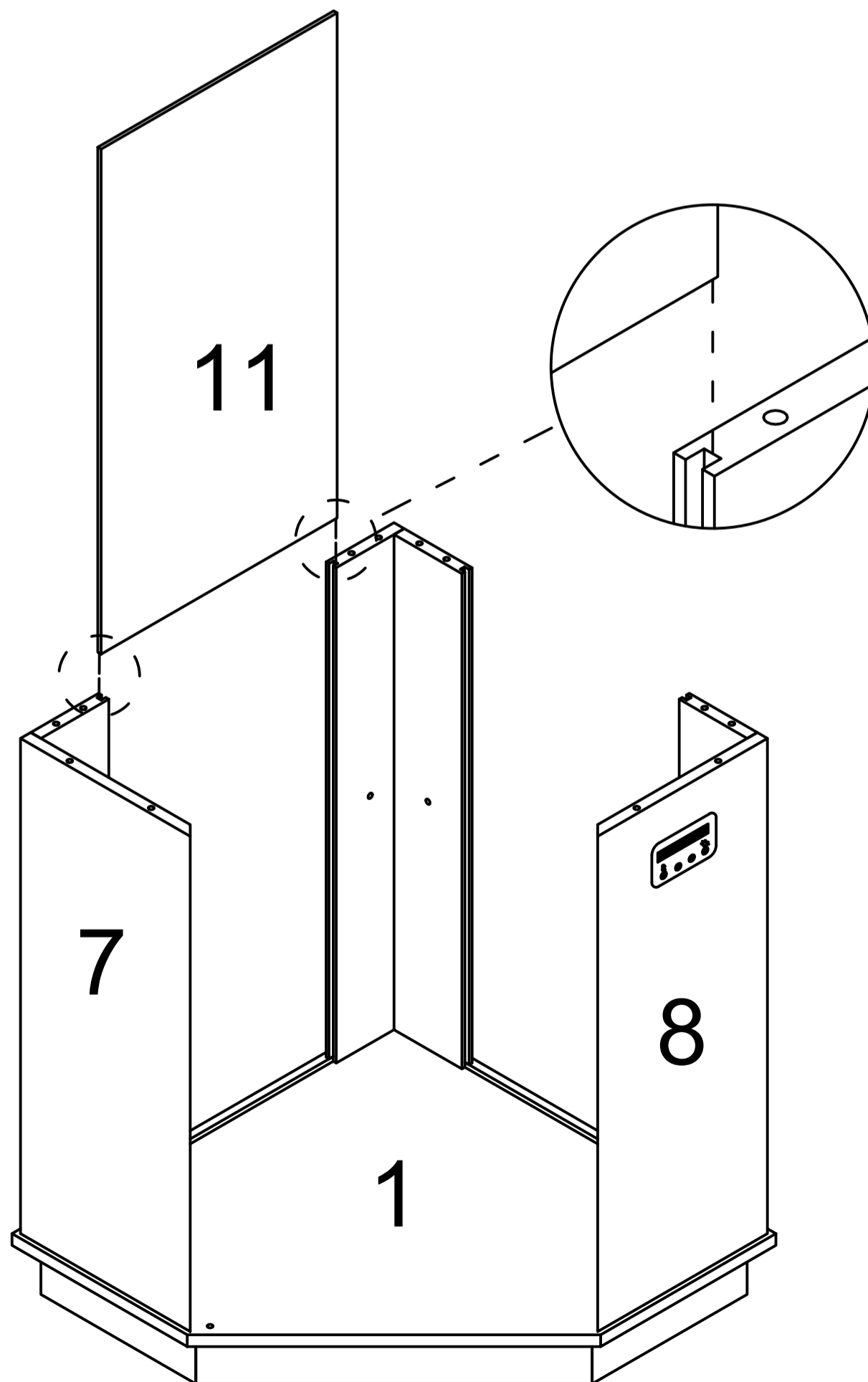
B



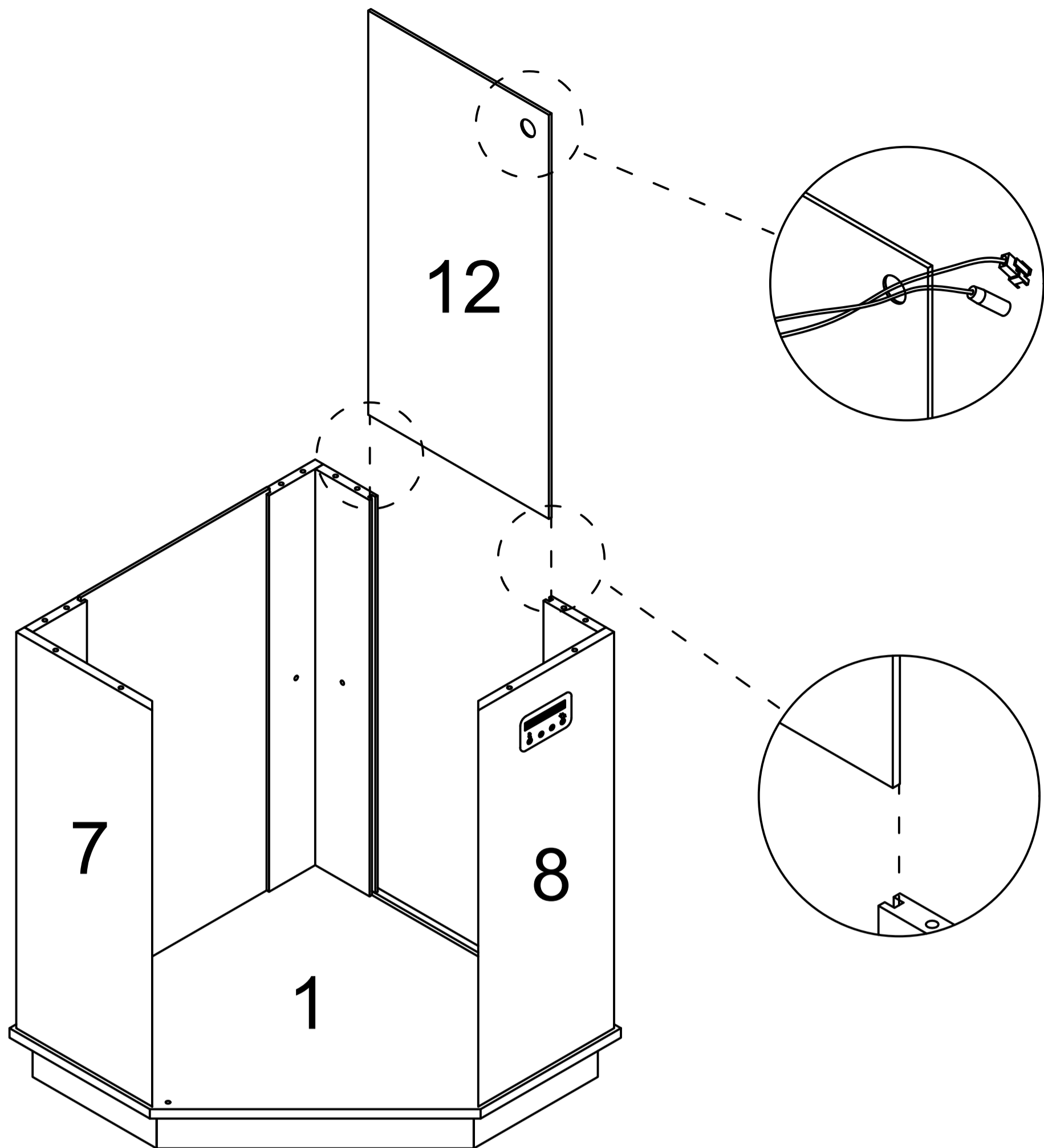
x4



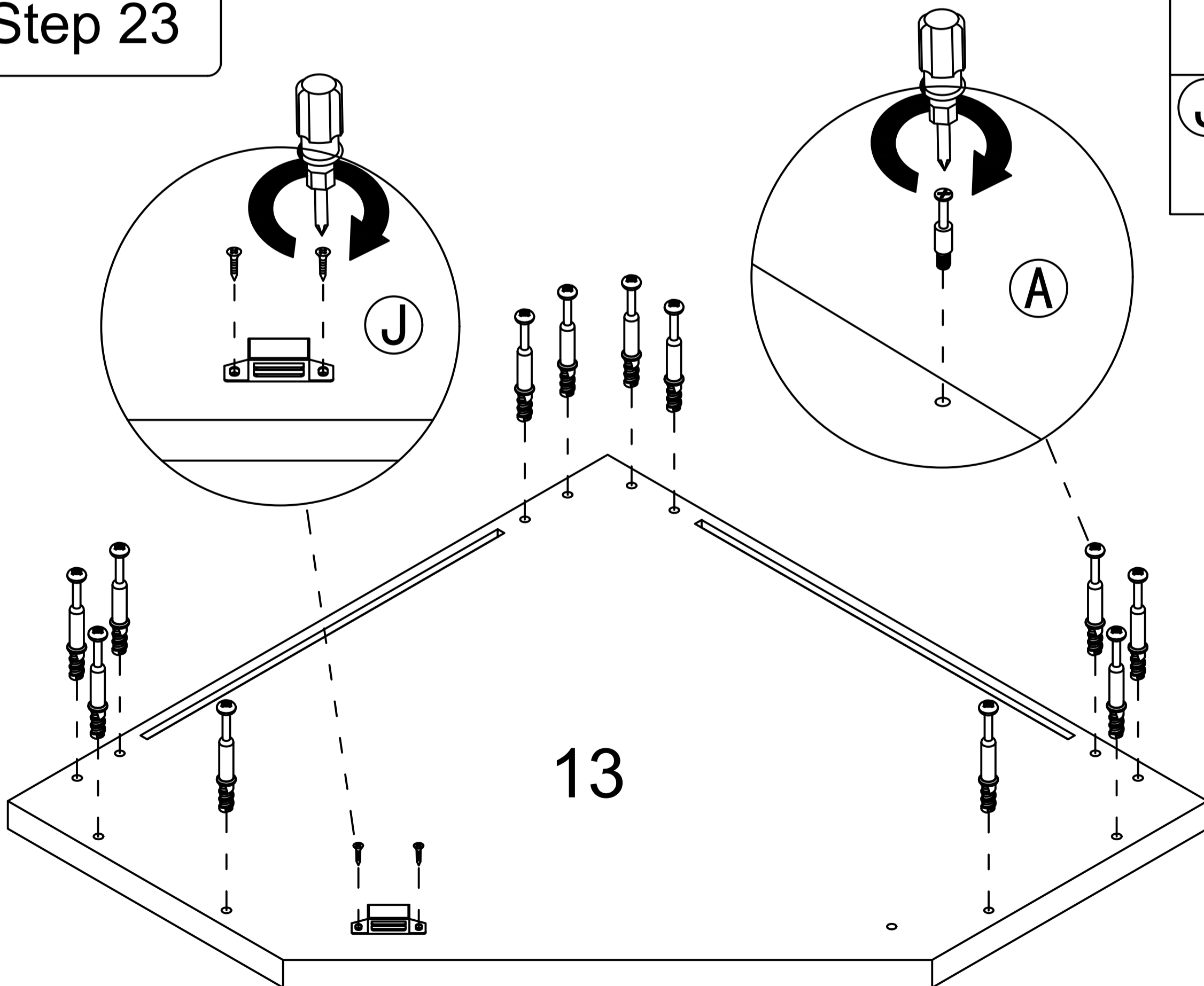
Step 21

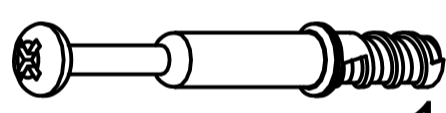




Step 22

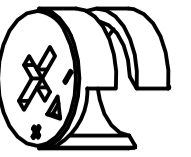


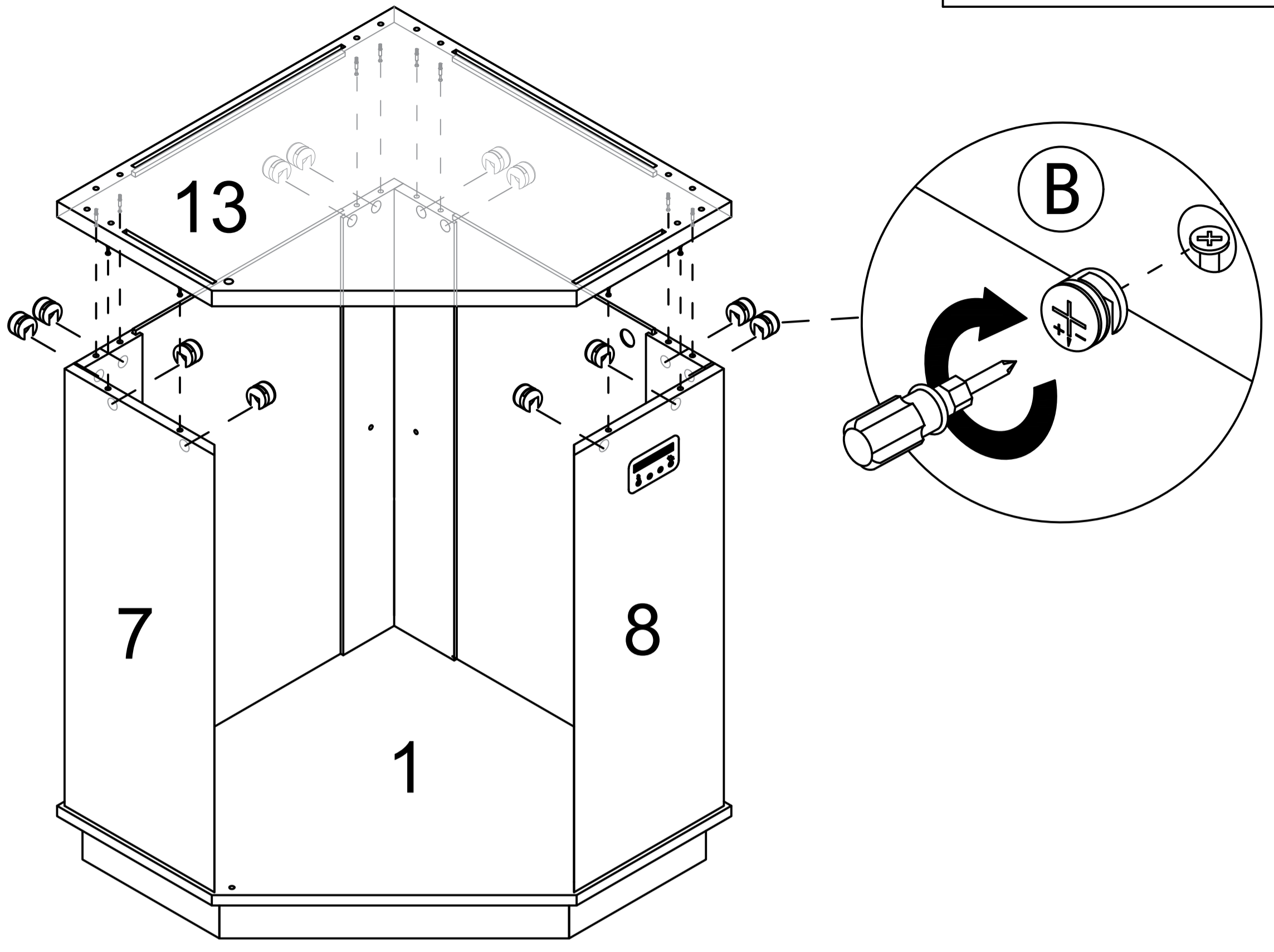
Step 23



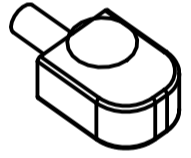
- (A)  x12
- (J)  1pcs  2pcs

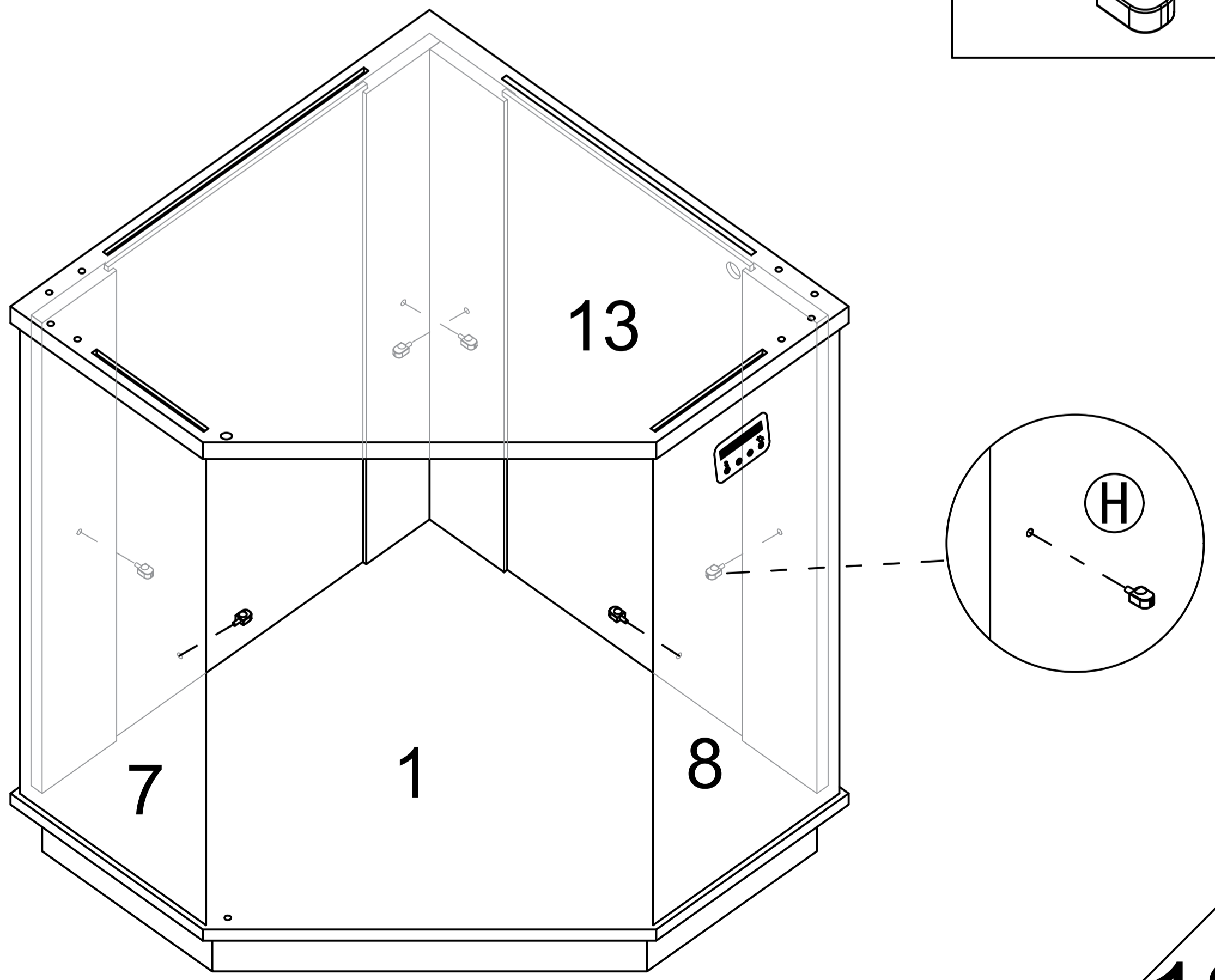
Step 24

**B**  x12



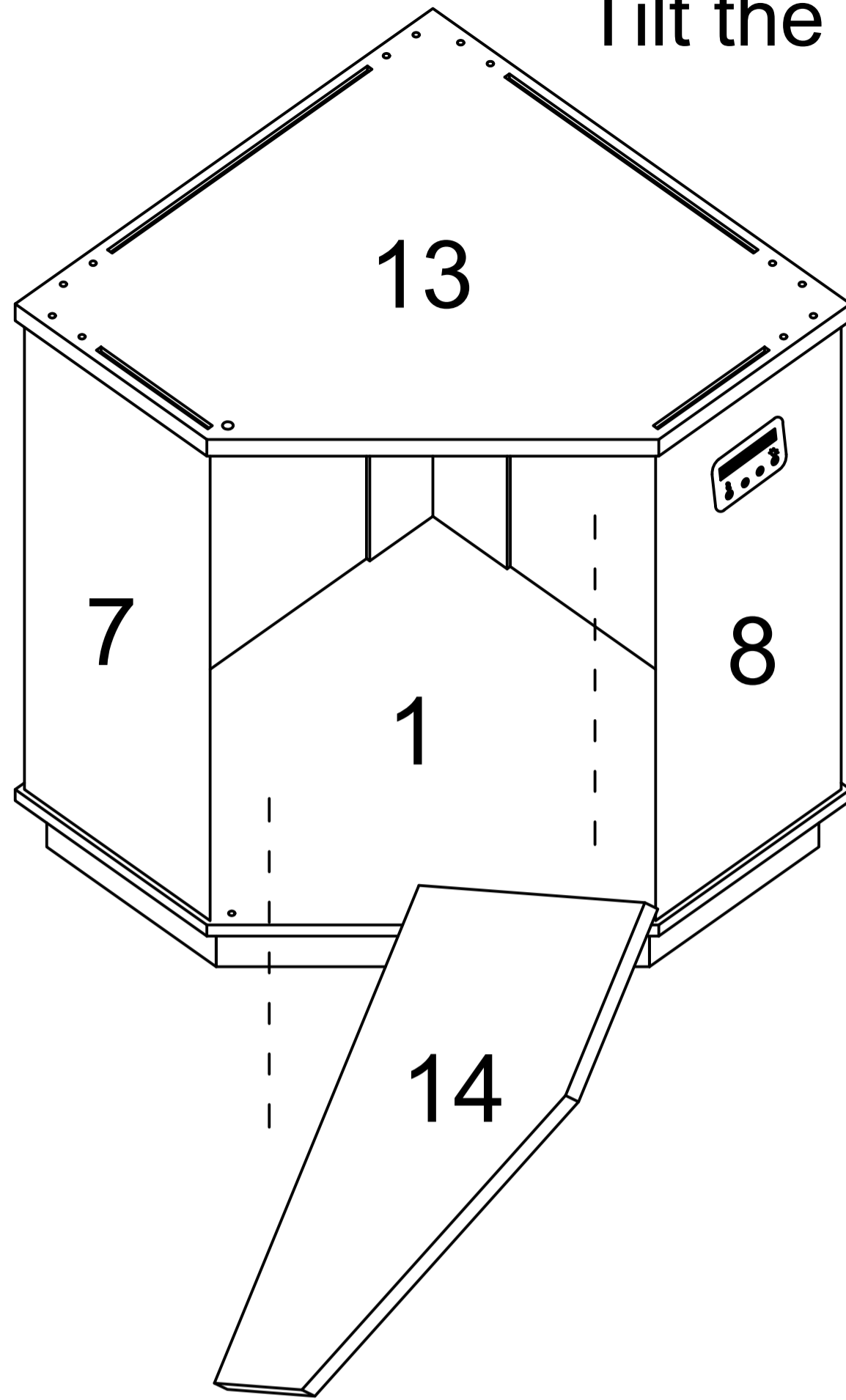
Step 25

**H**  x6

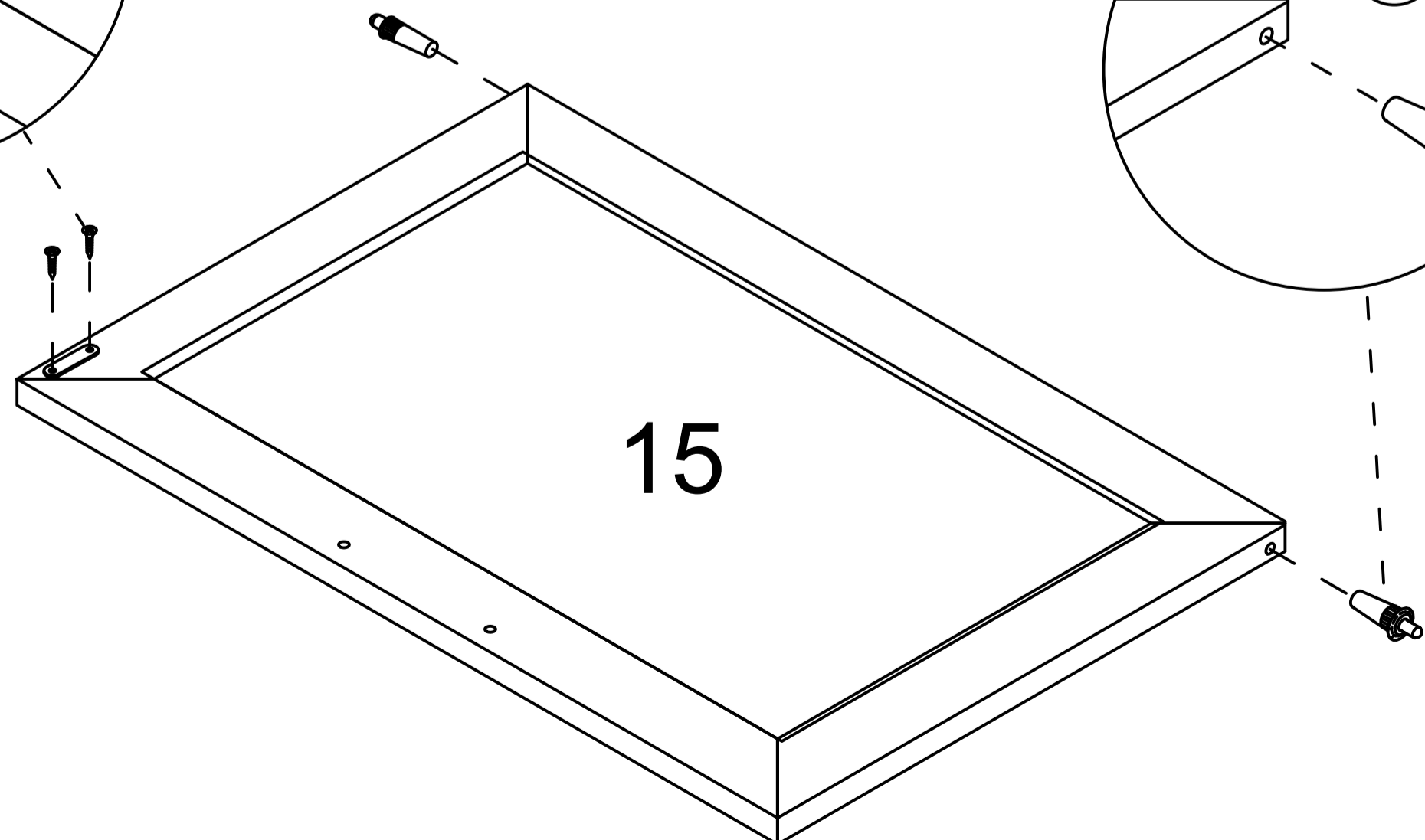
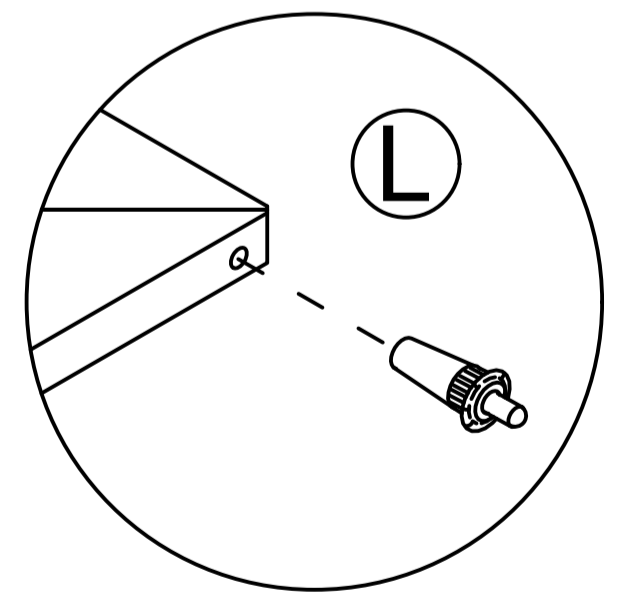
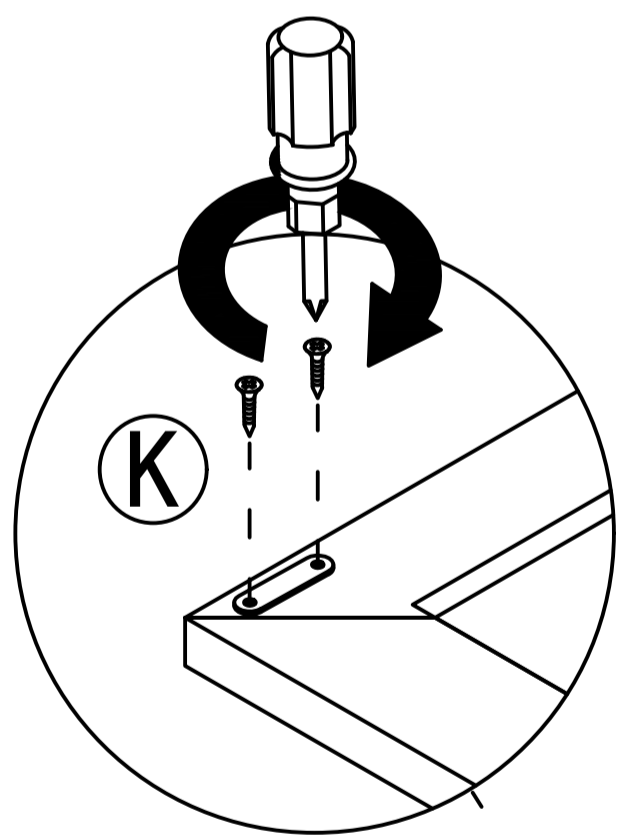
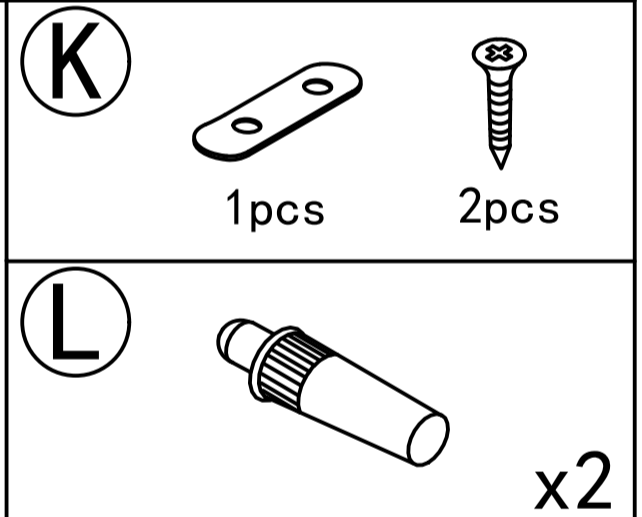


Step 26

Tilt the board and put it in



Step 27



# Step 28

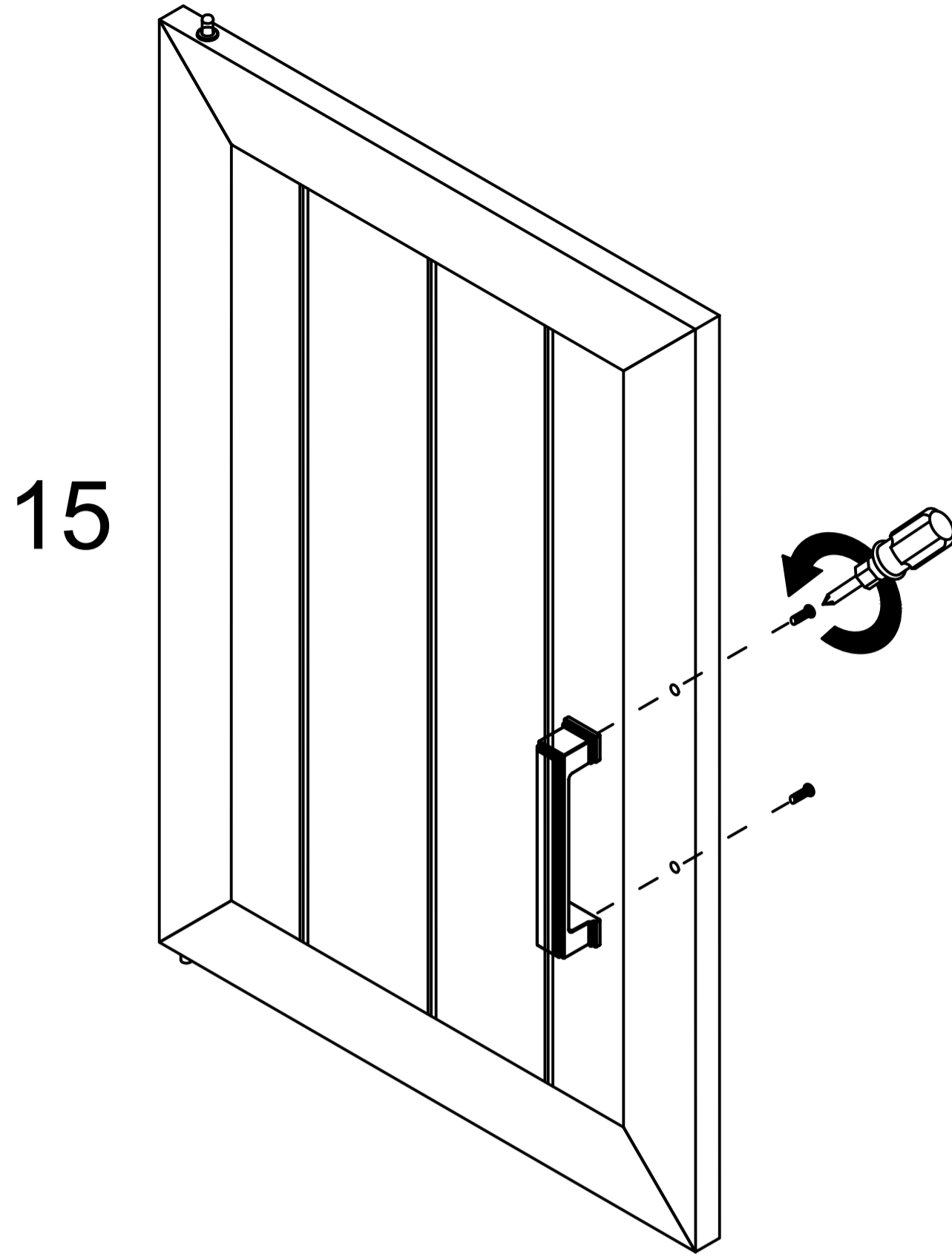
F



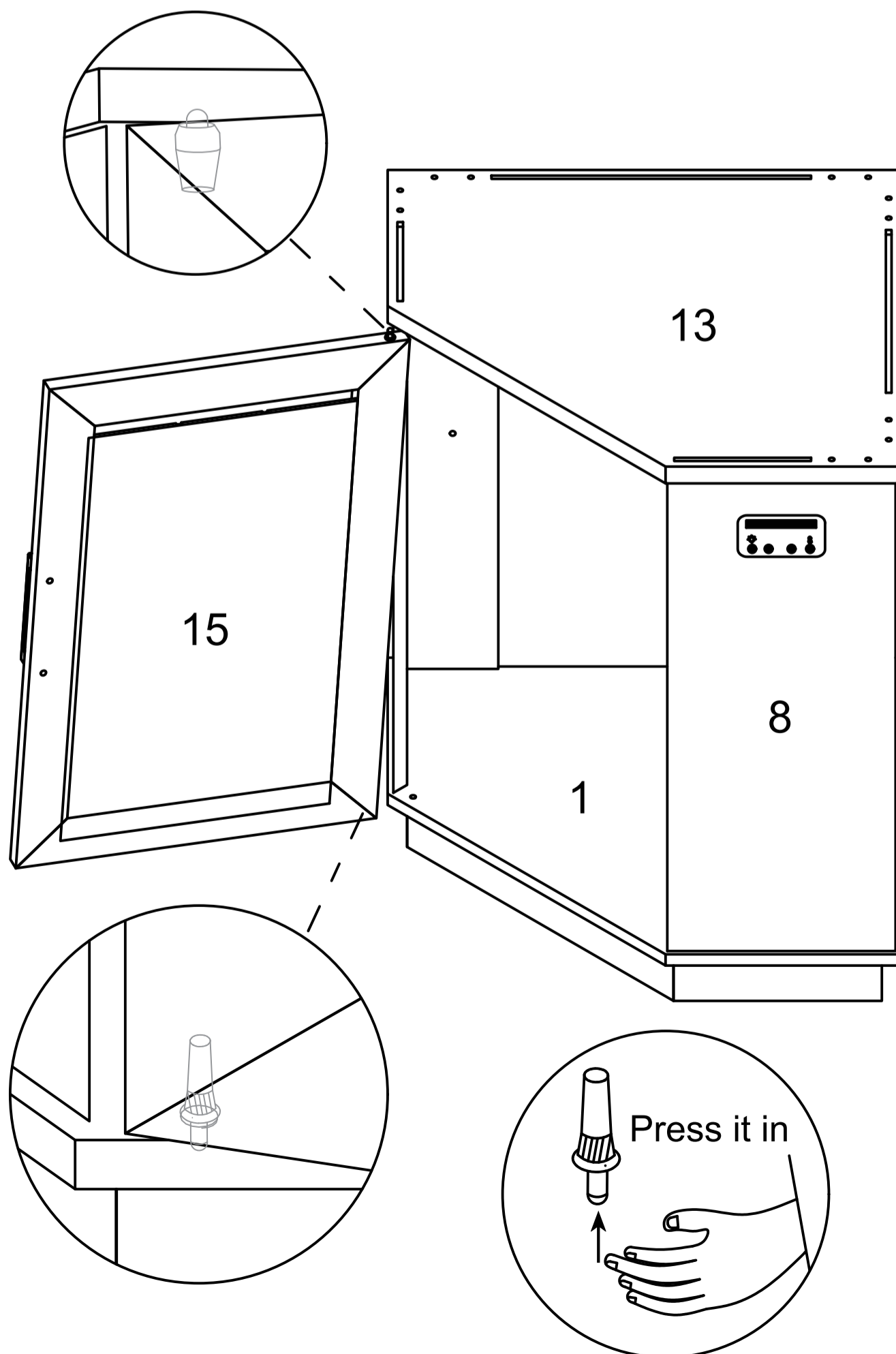
1pcs



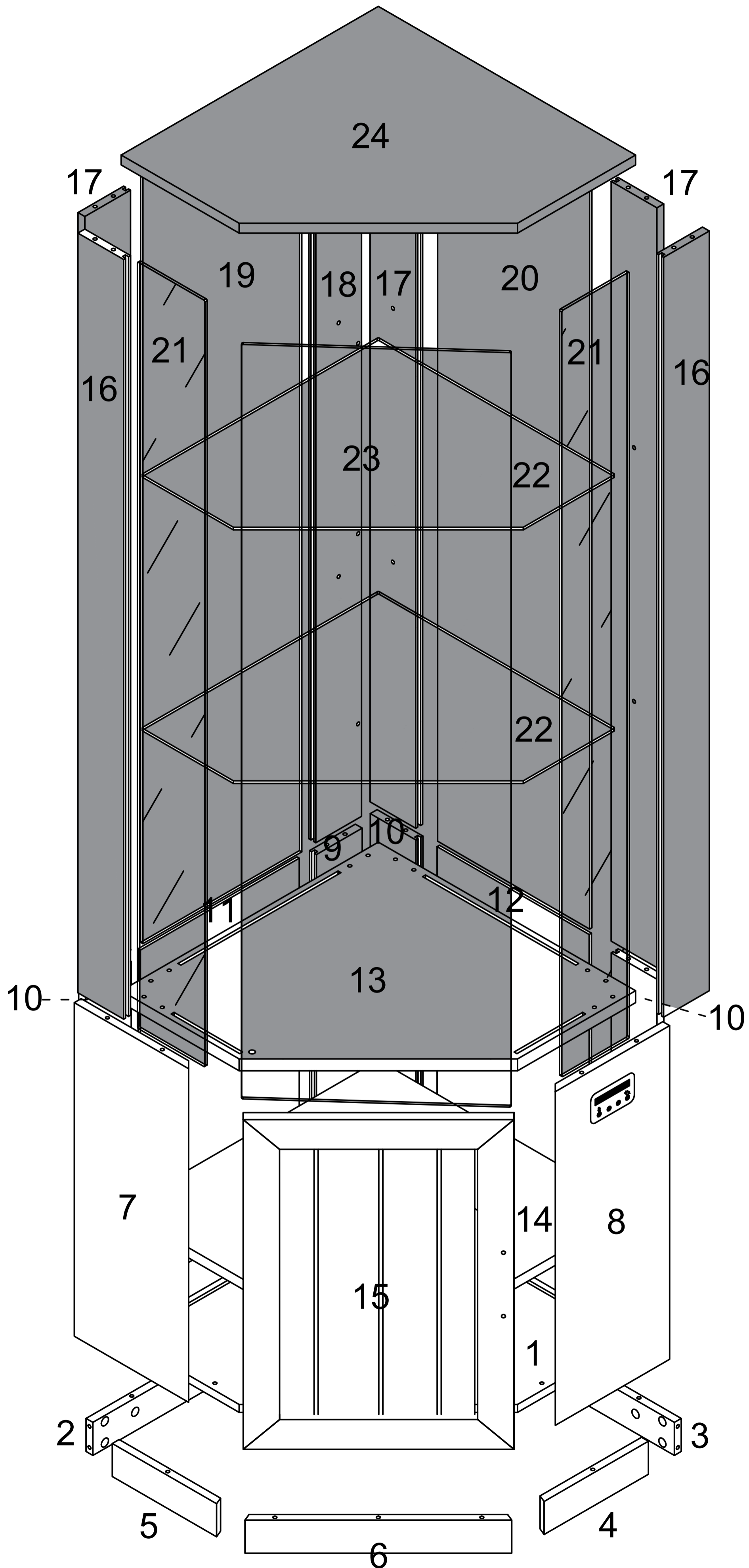
2pcs



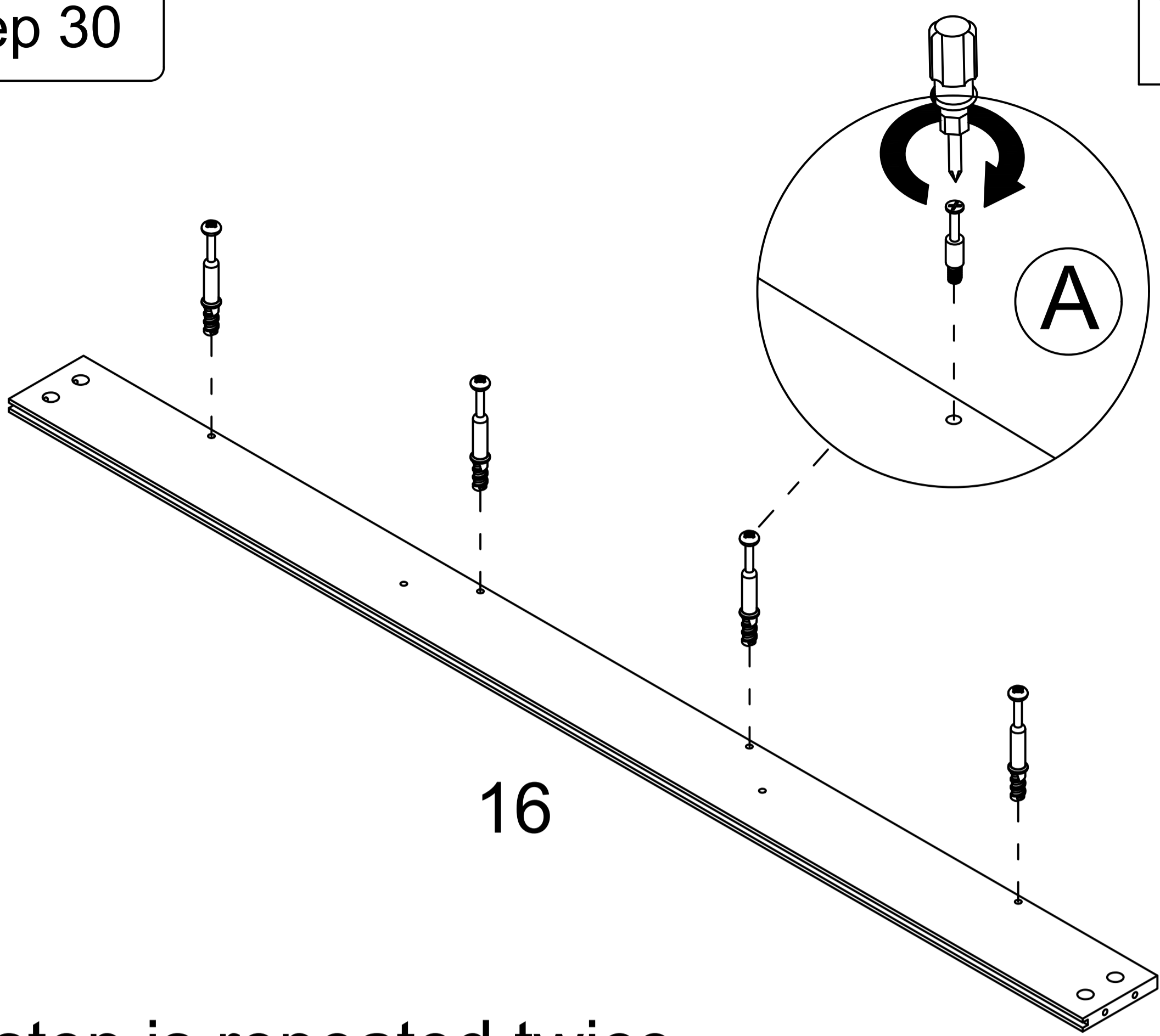
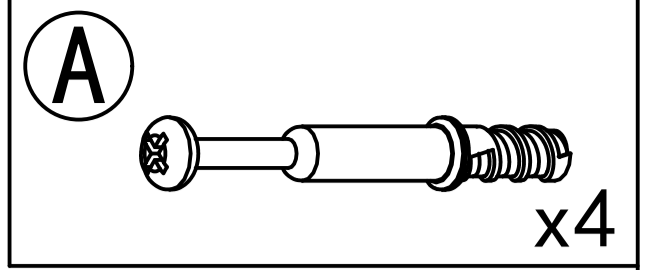
# Step 29



# Product Installation Instructions

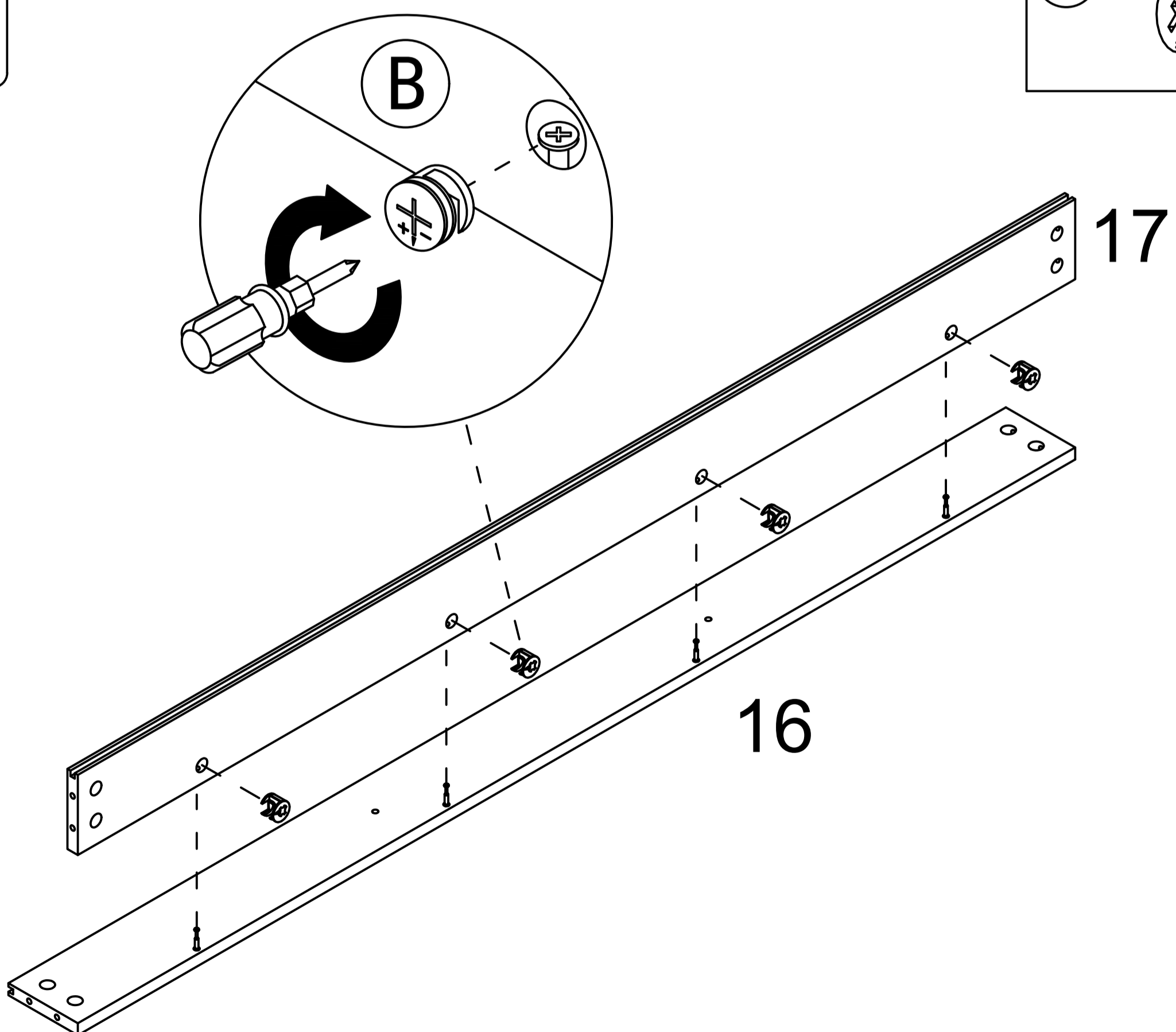
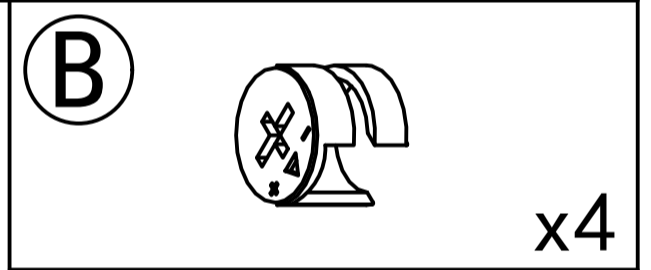


Step 30



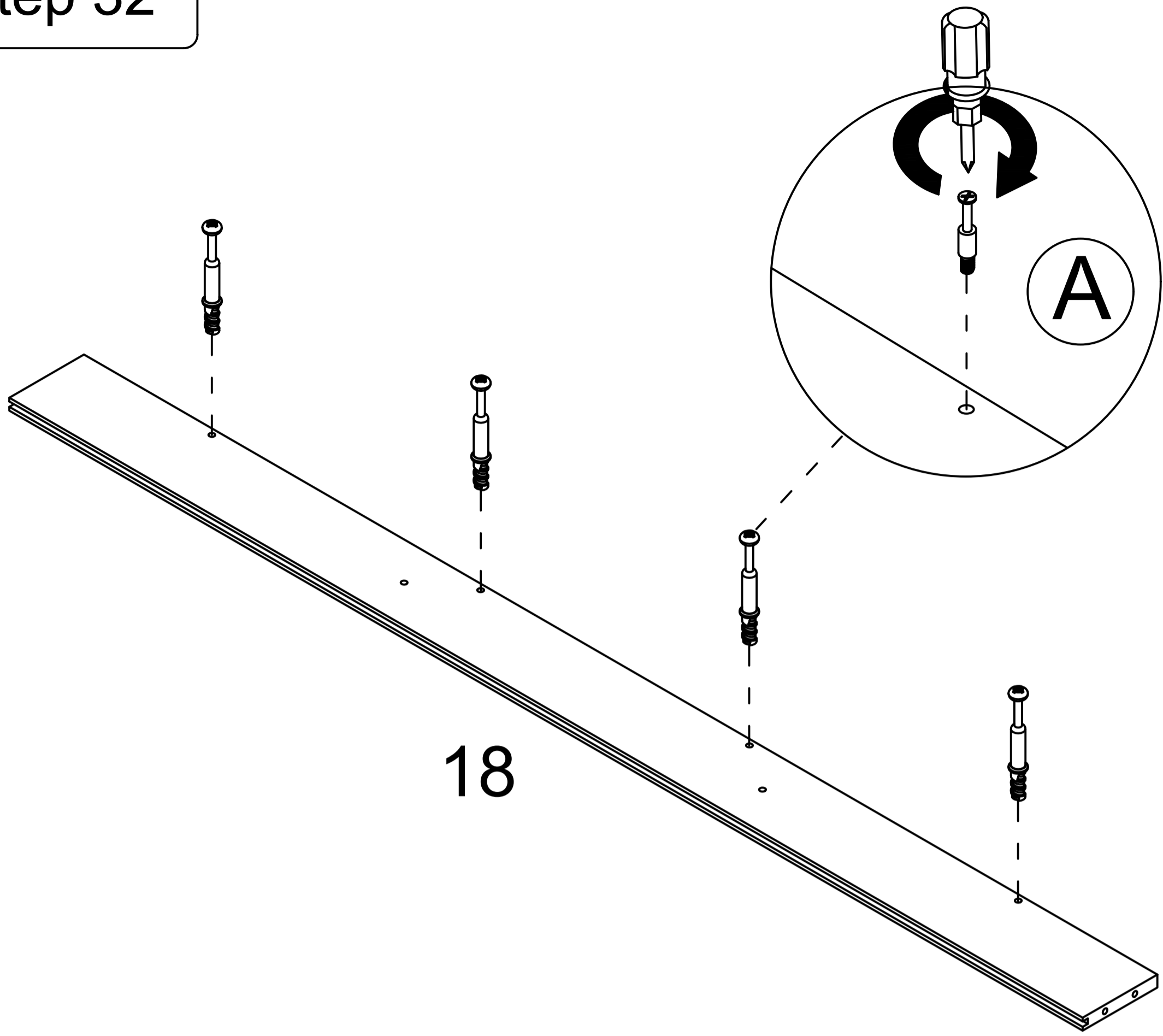
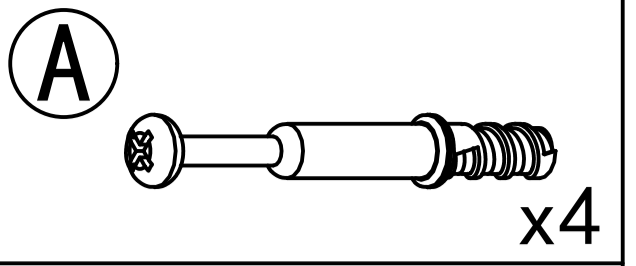
This step is repeated twice.

Step 31

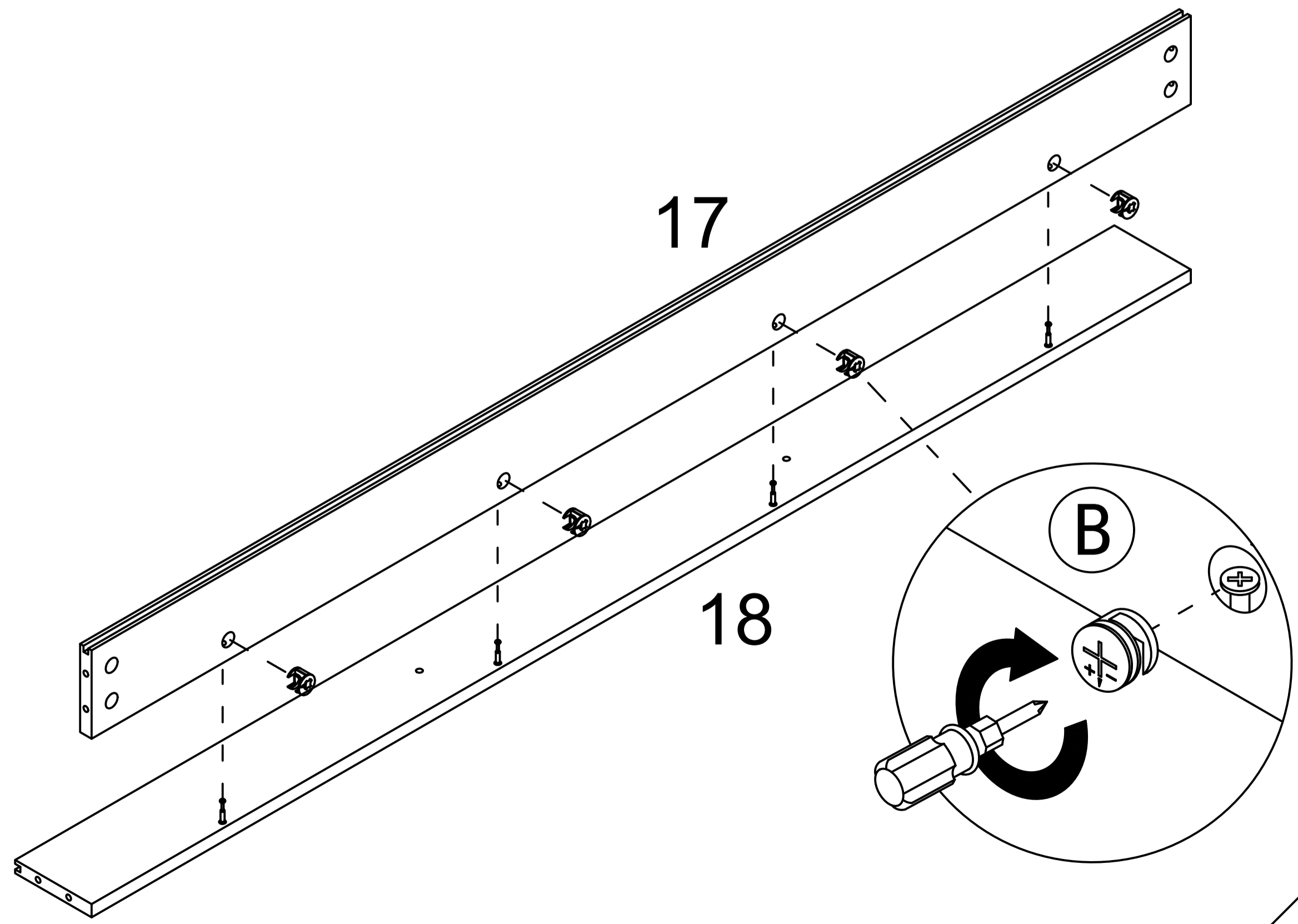
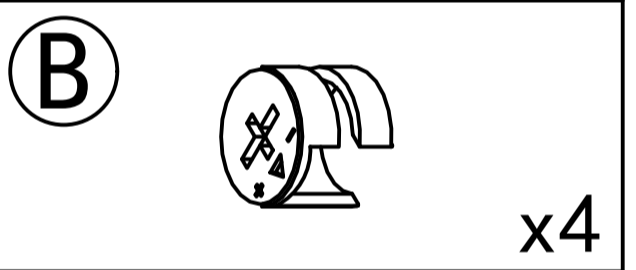


This step is repeated twice.

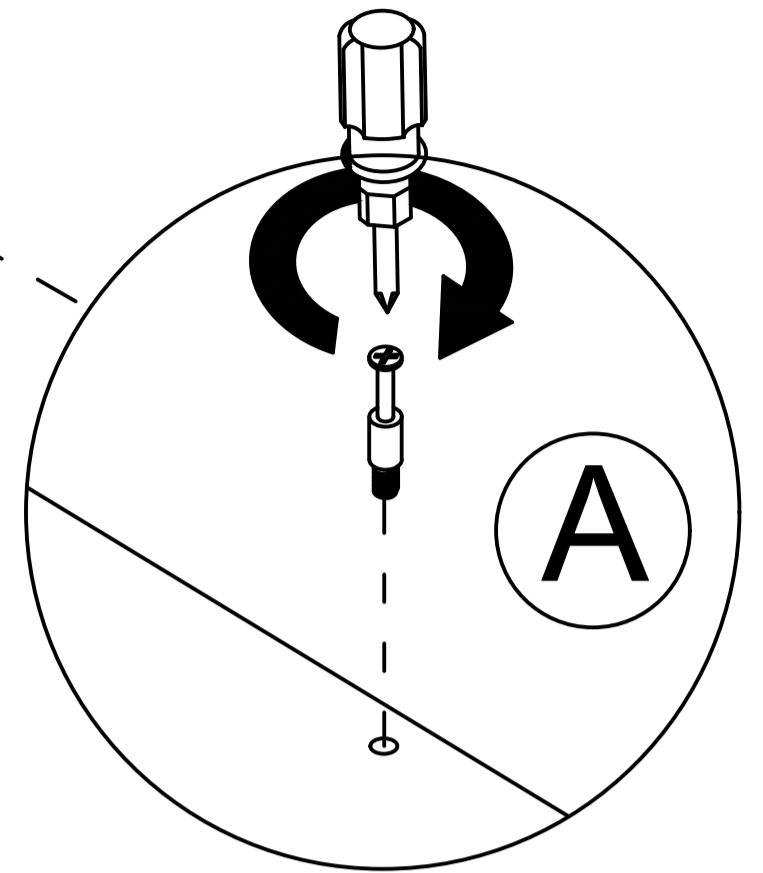
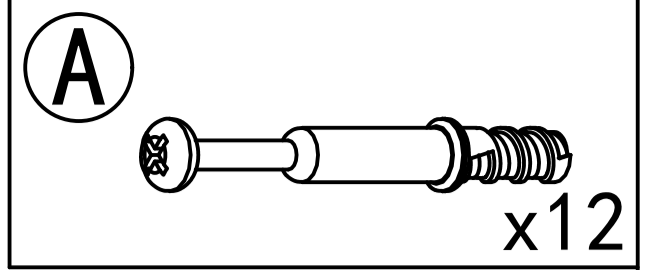
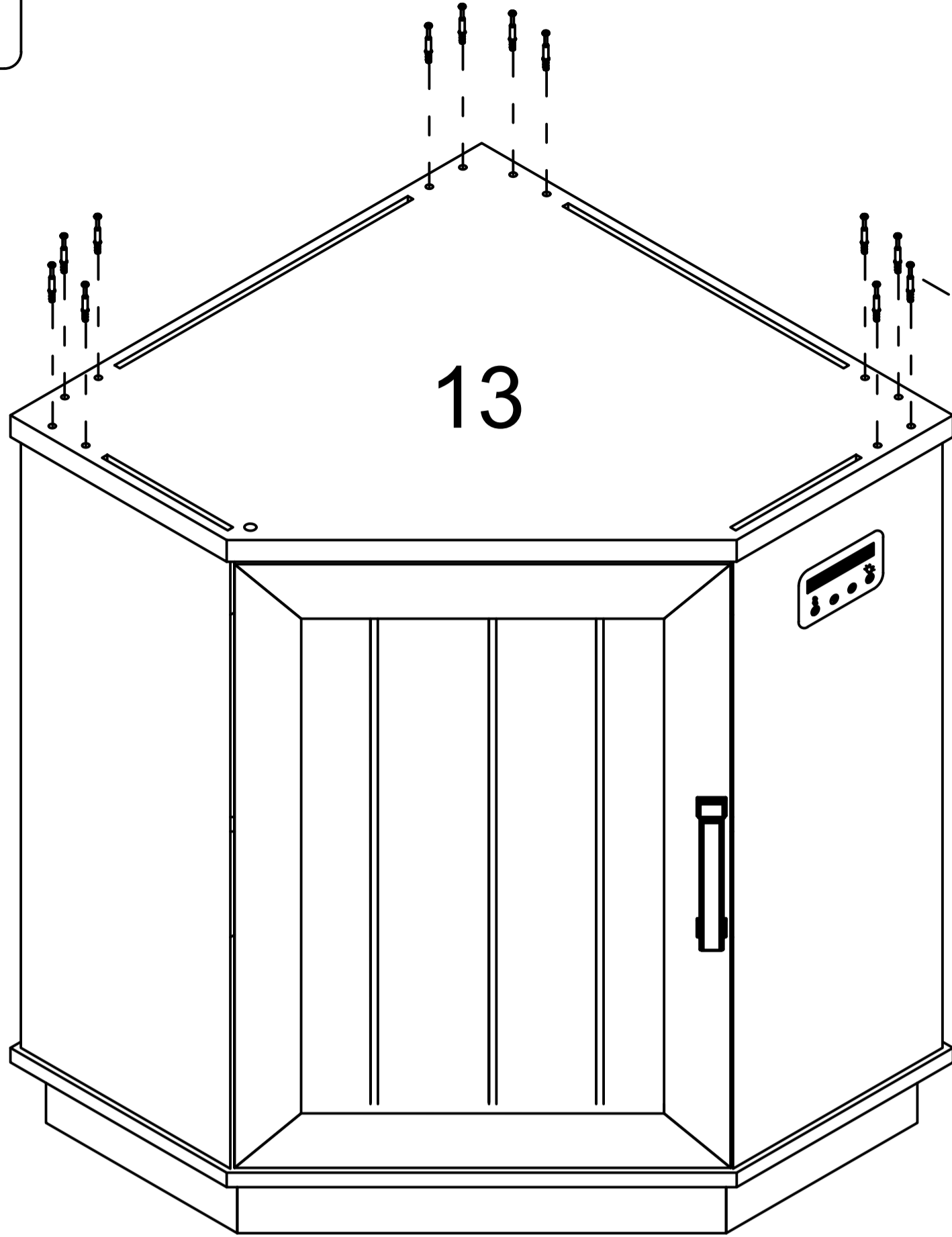
Step 32



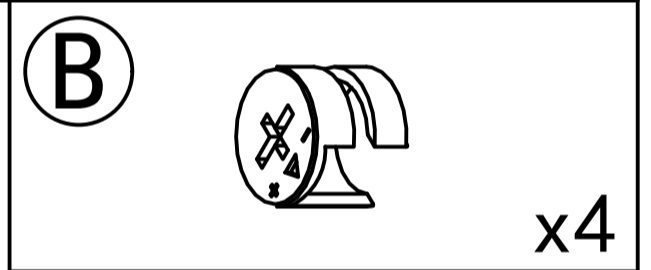
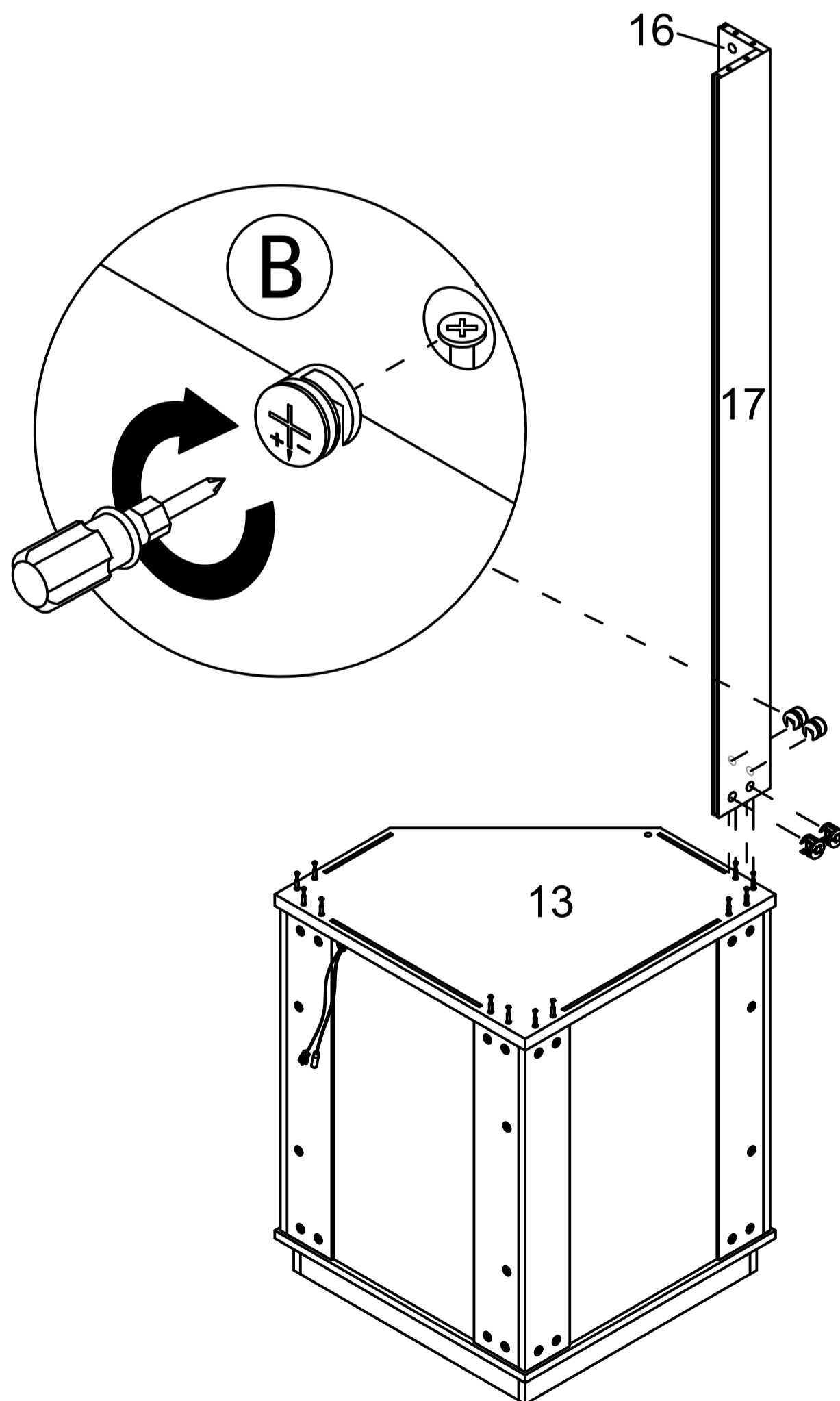
Step 33



Step 34

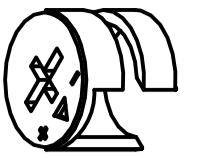


Step 35

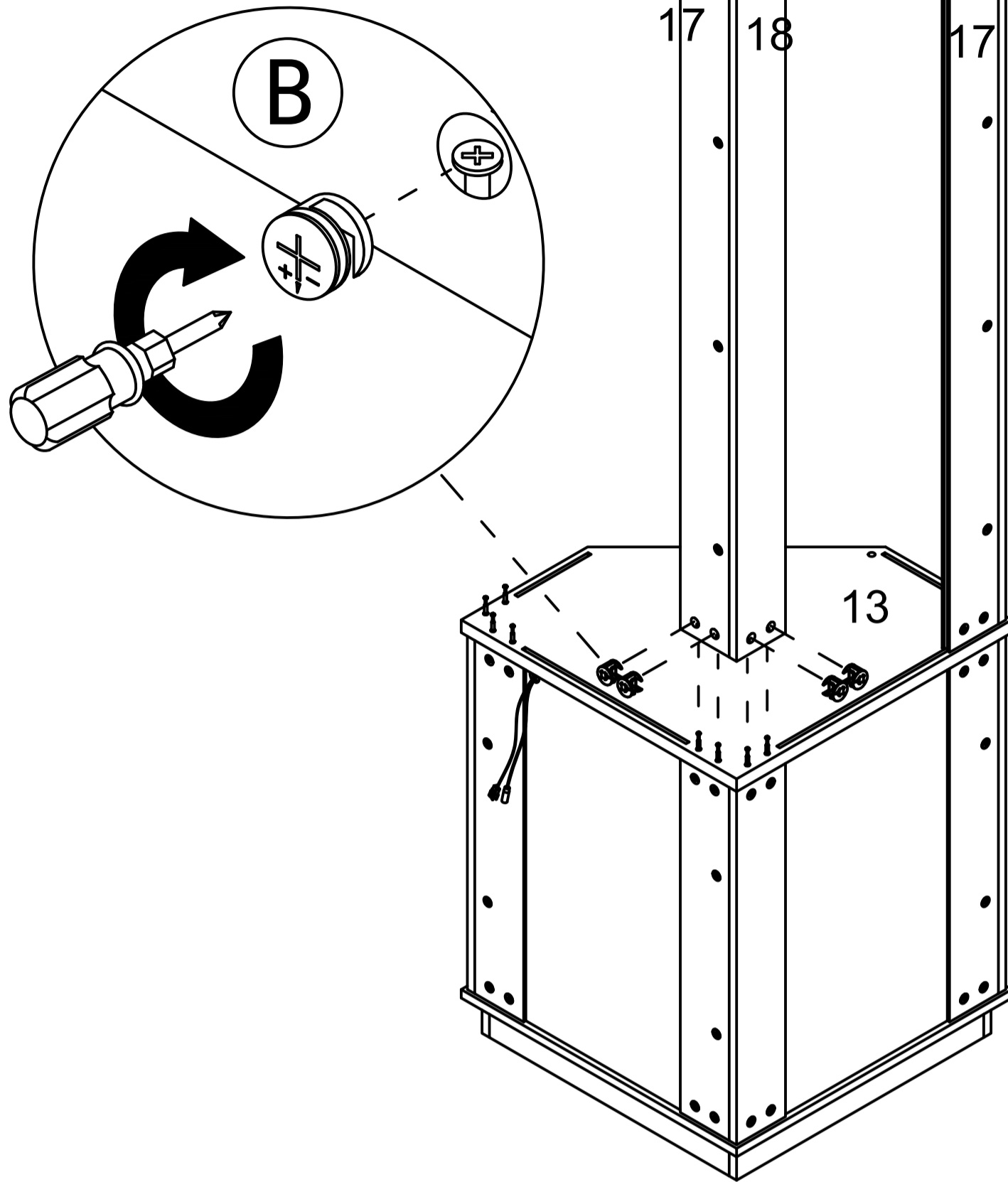


Step 36

B

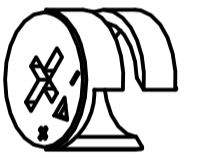


x4

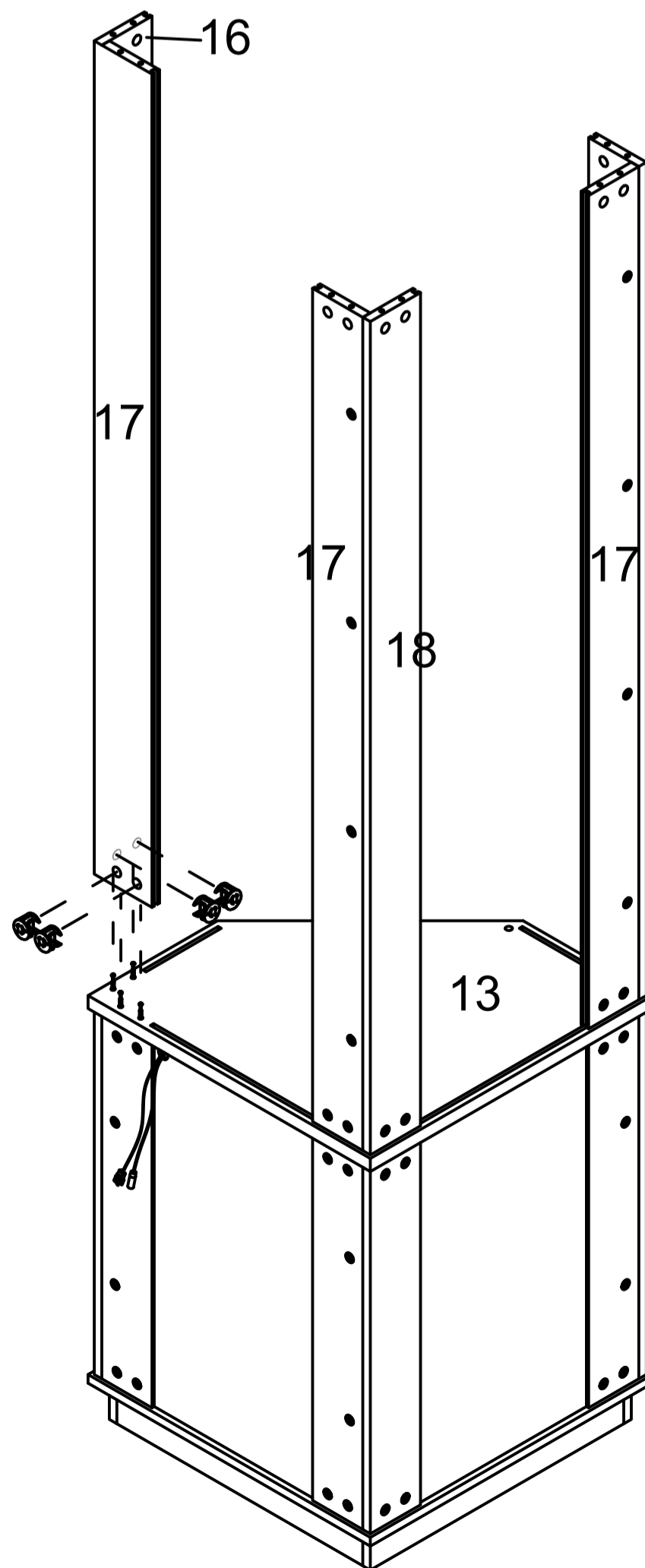


Step 37

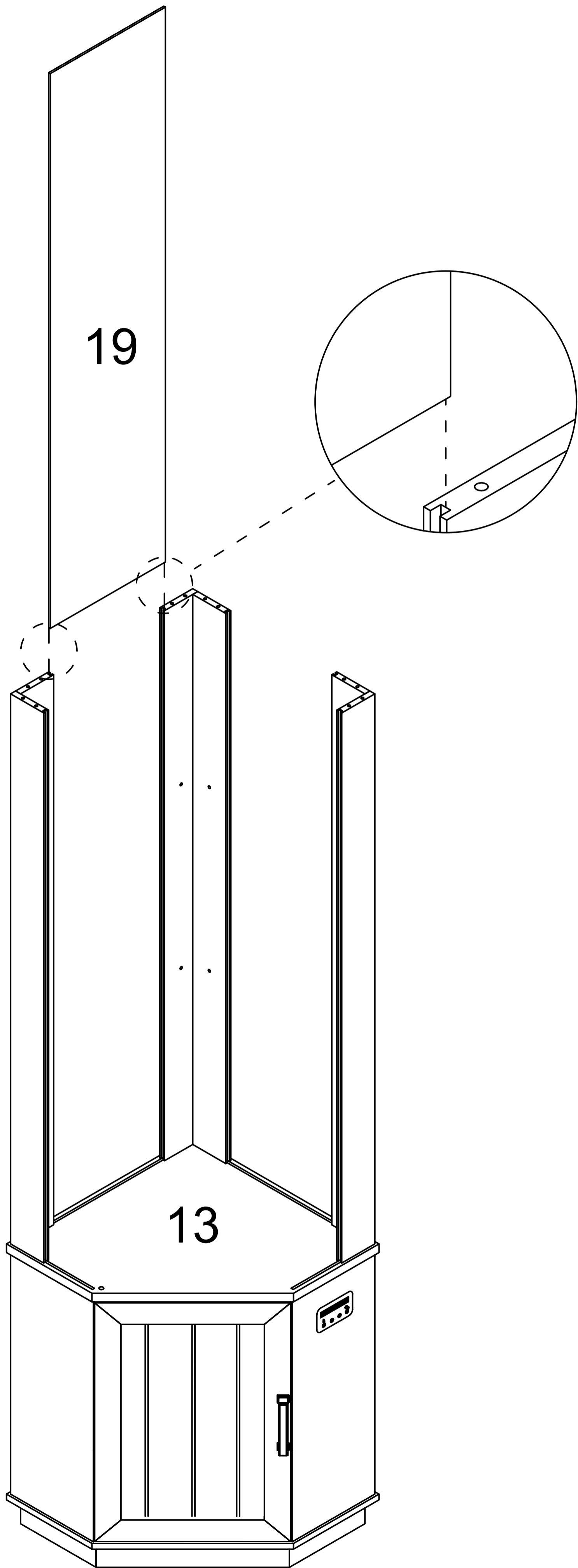
B



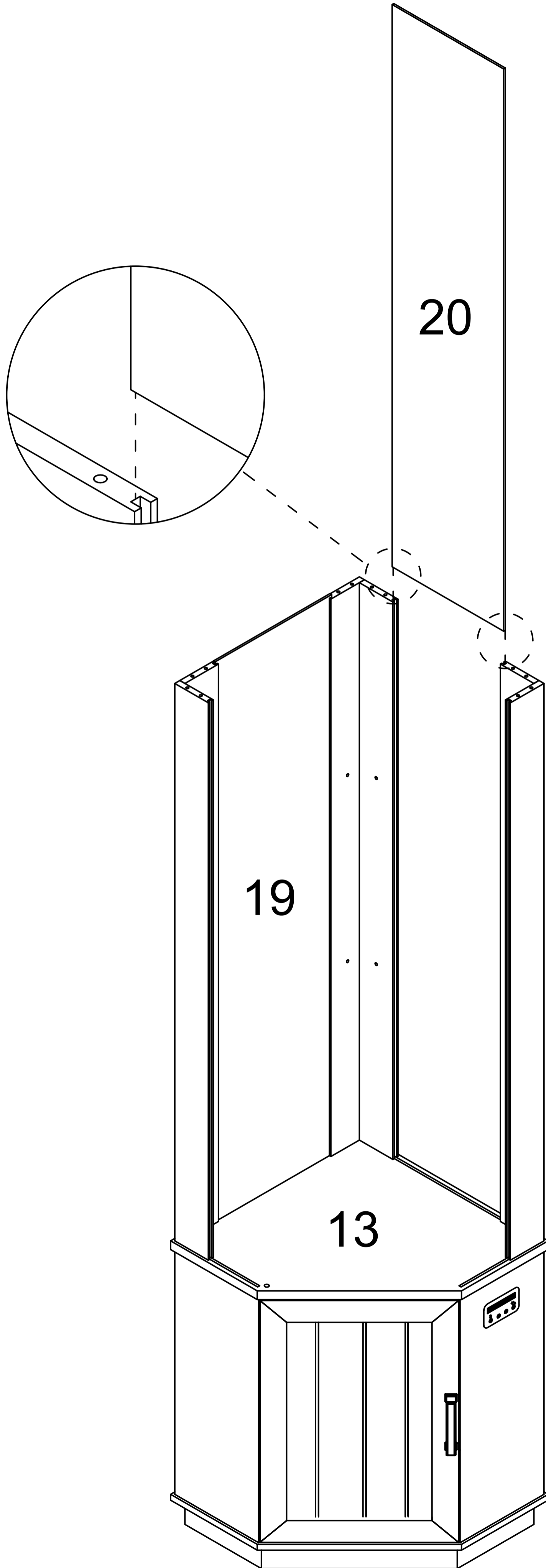
x4



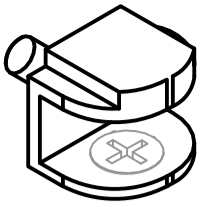
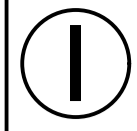
Step 38



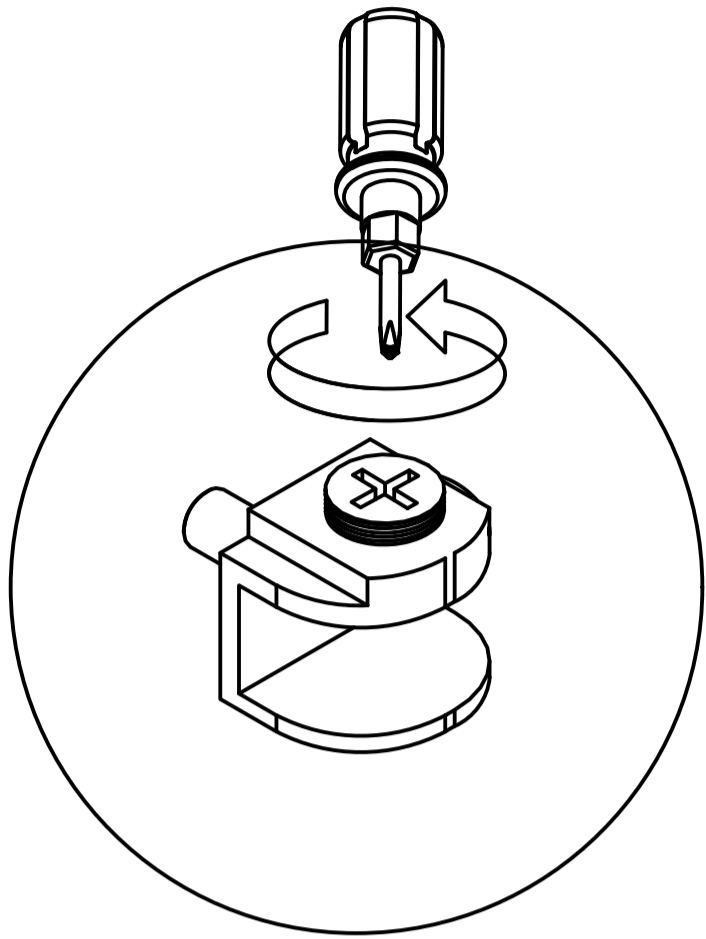
Step 39



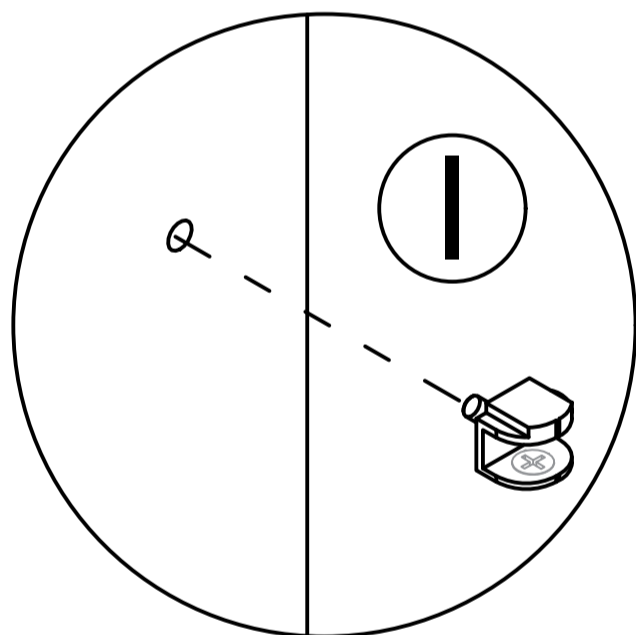
Step 40



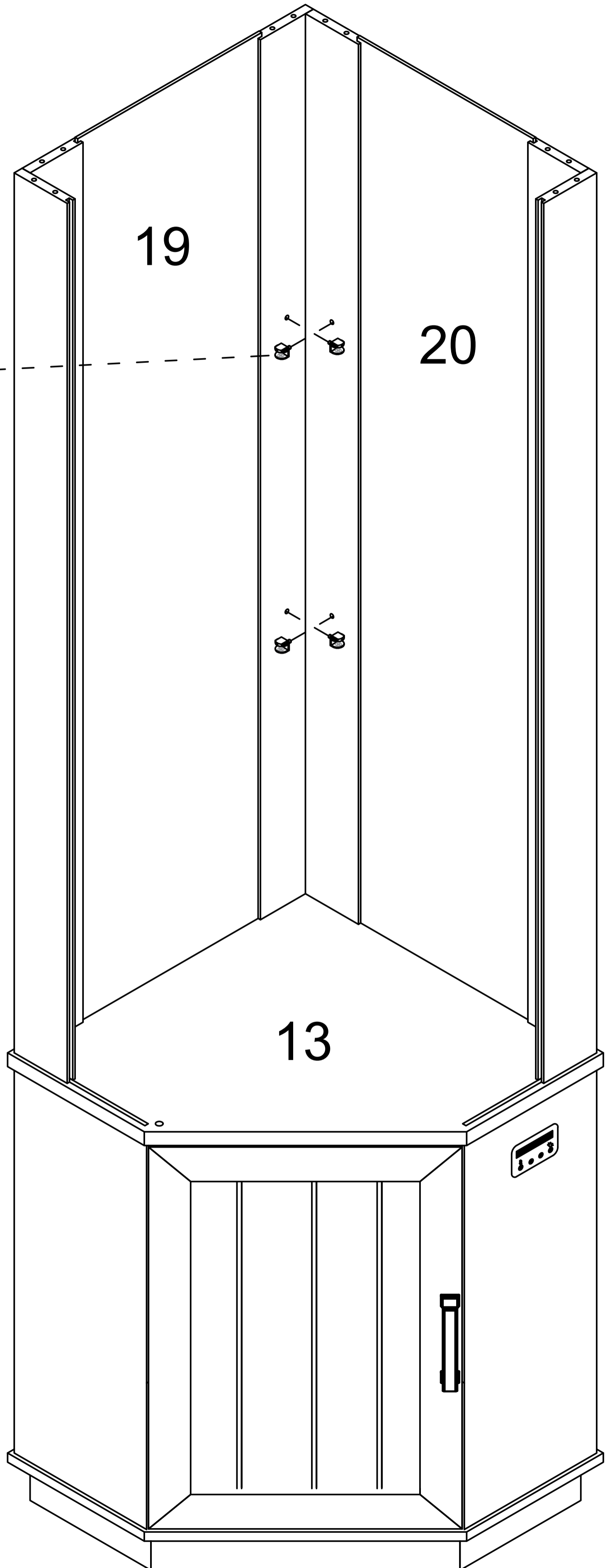
x4



Loosen the screws a little before installation

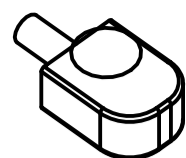


The screw side down

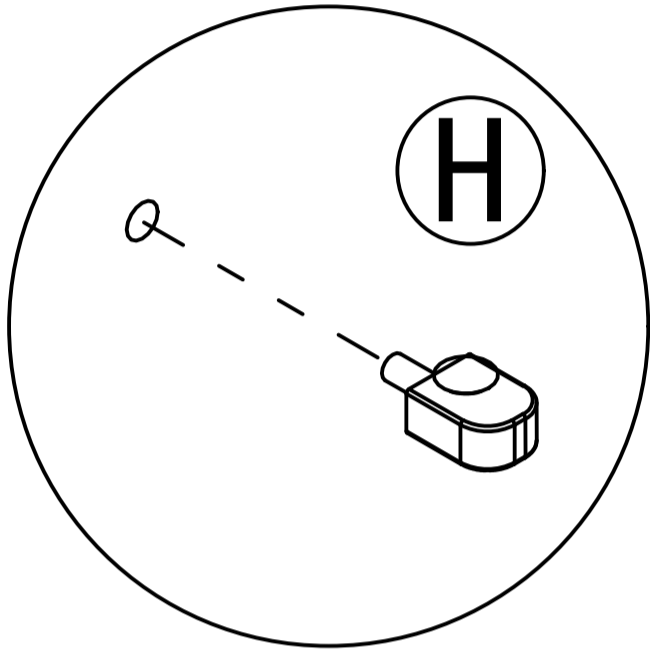
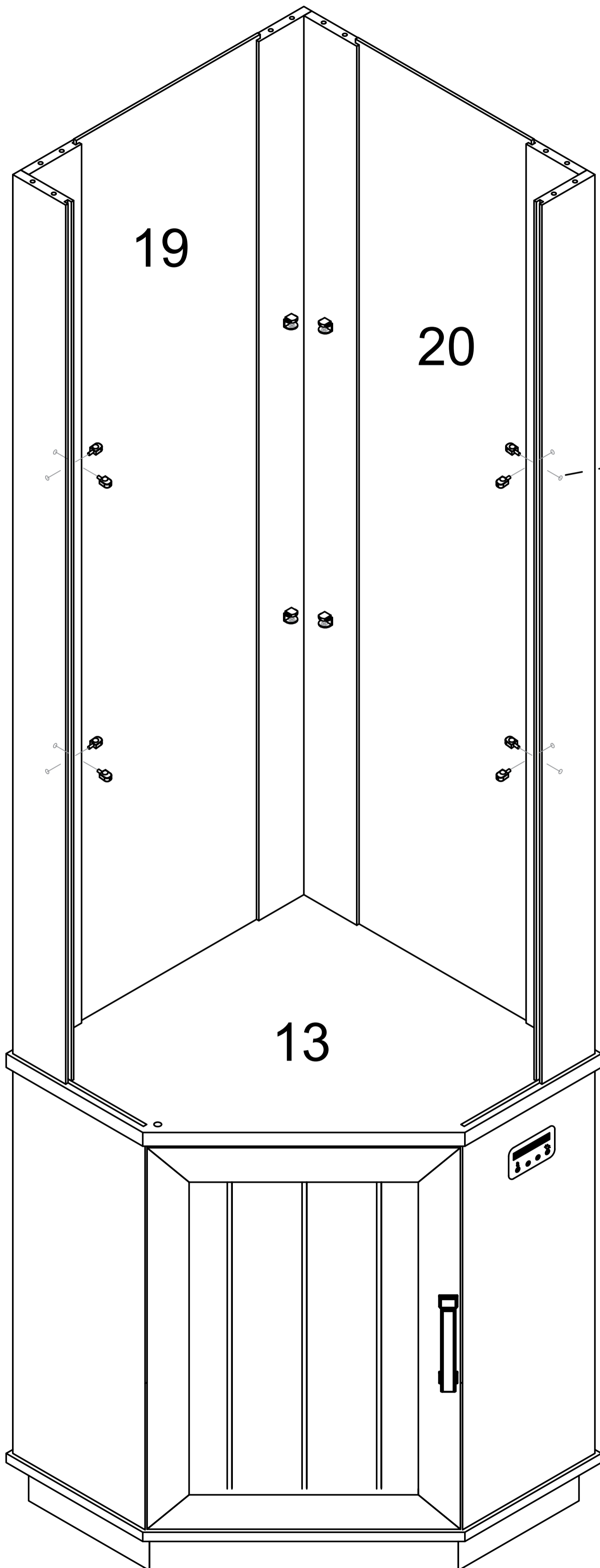


Step 41

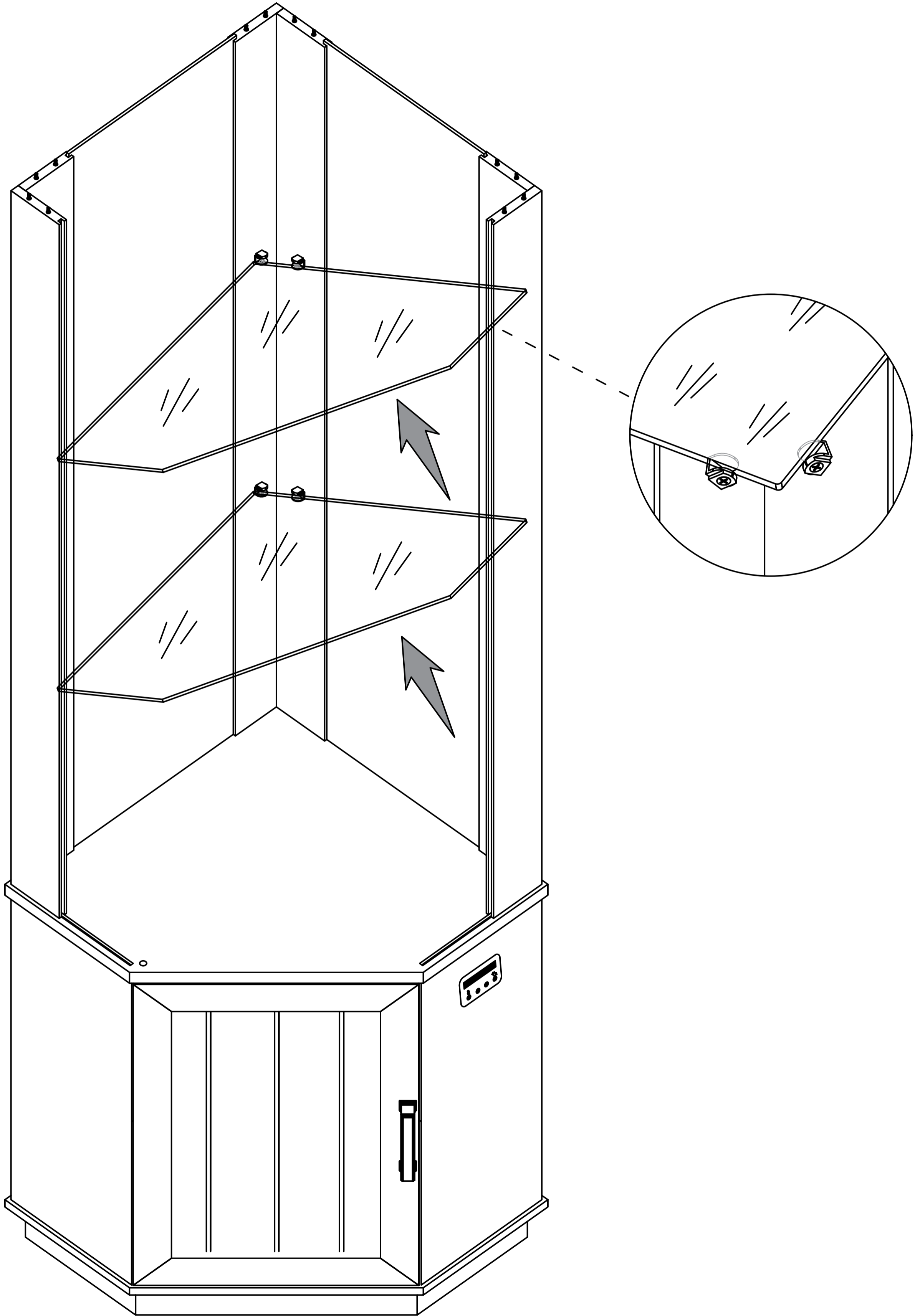
H



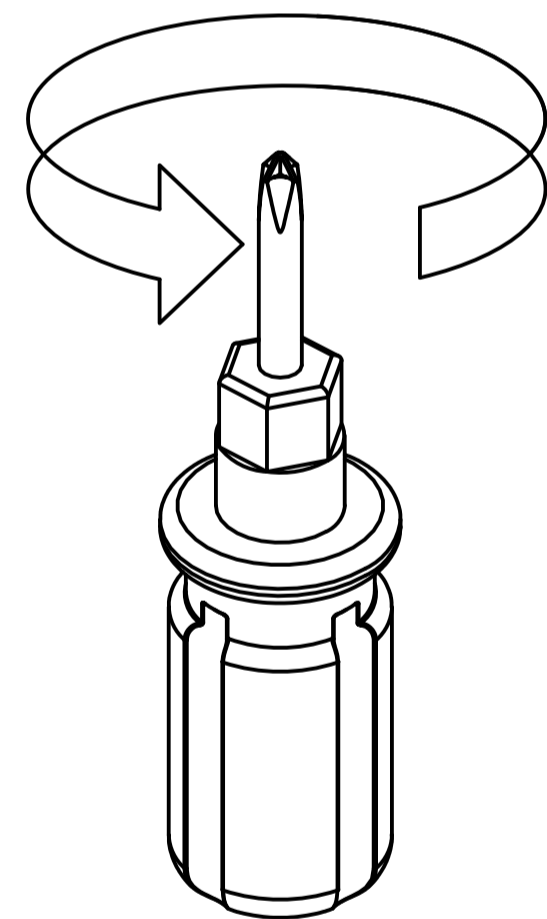
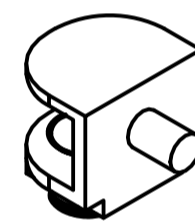
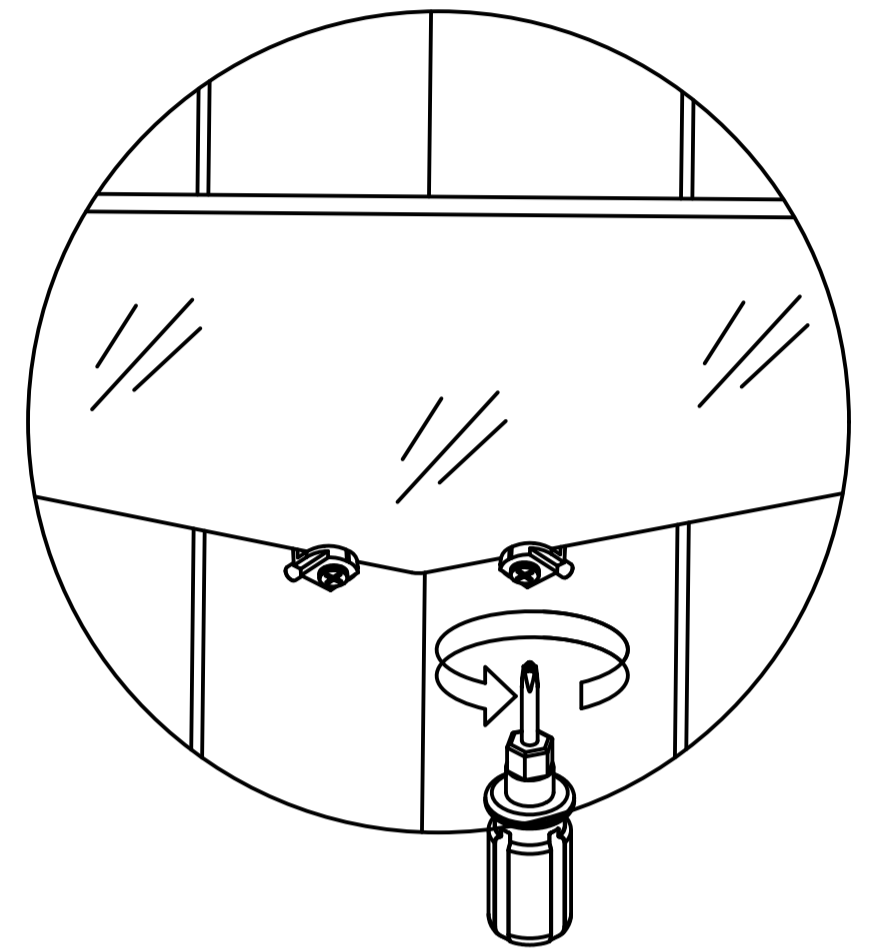
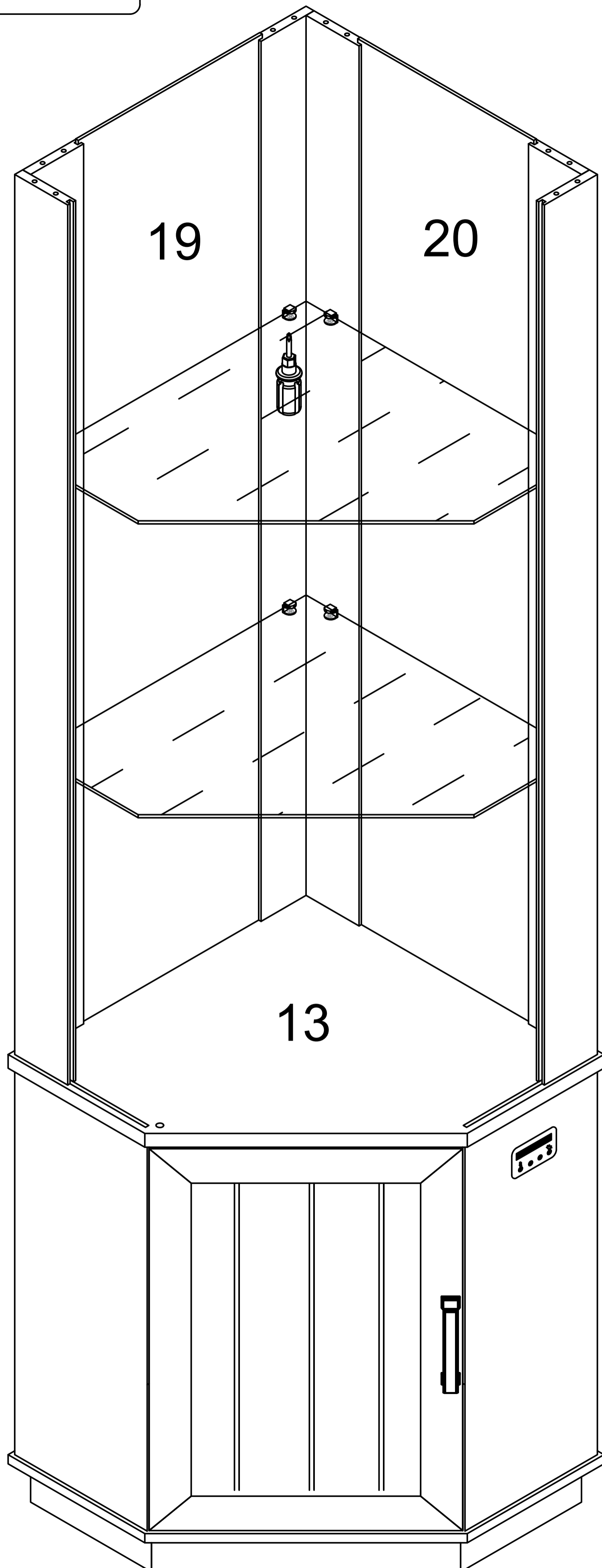
x8



Step 42

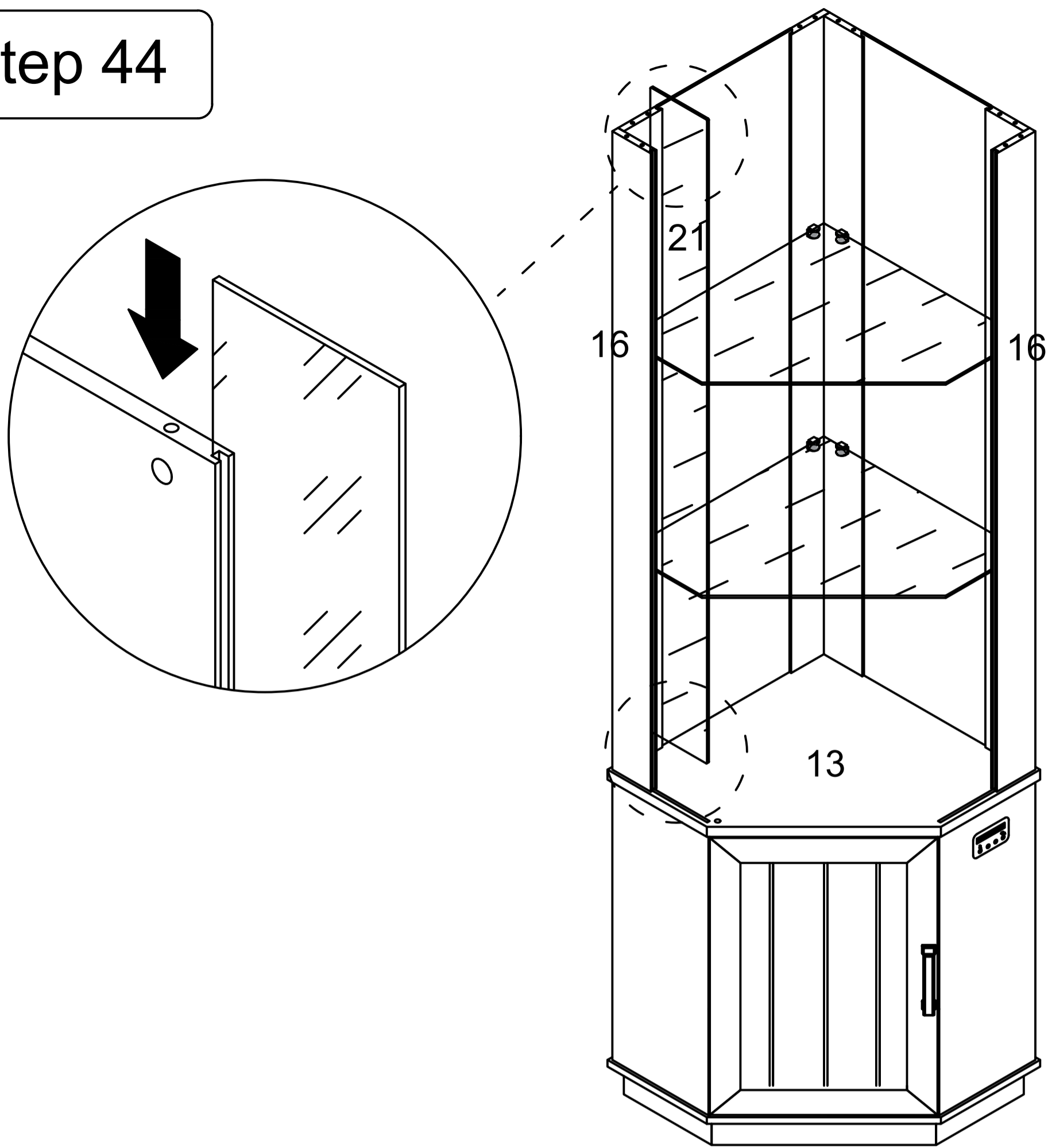


# Step 43



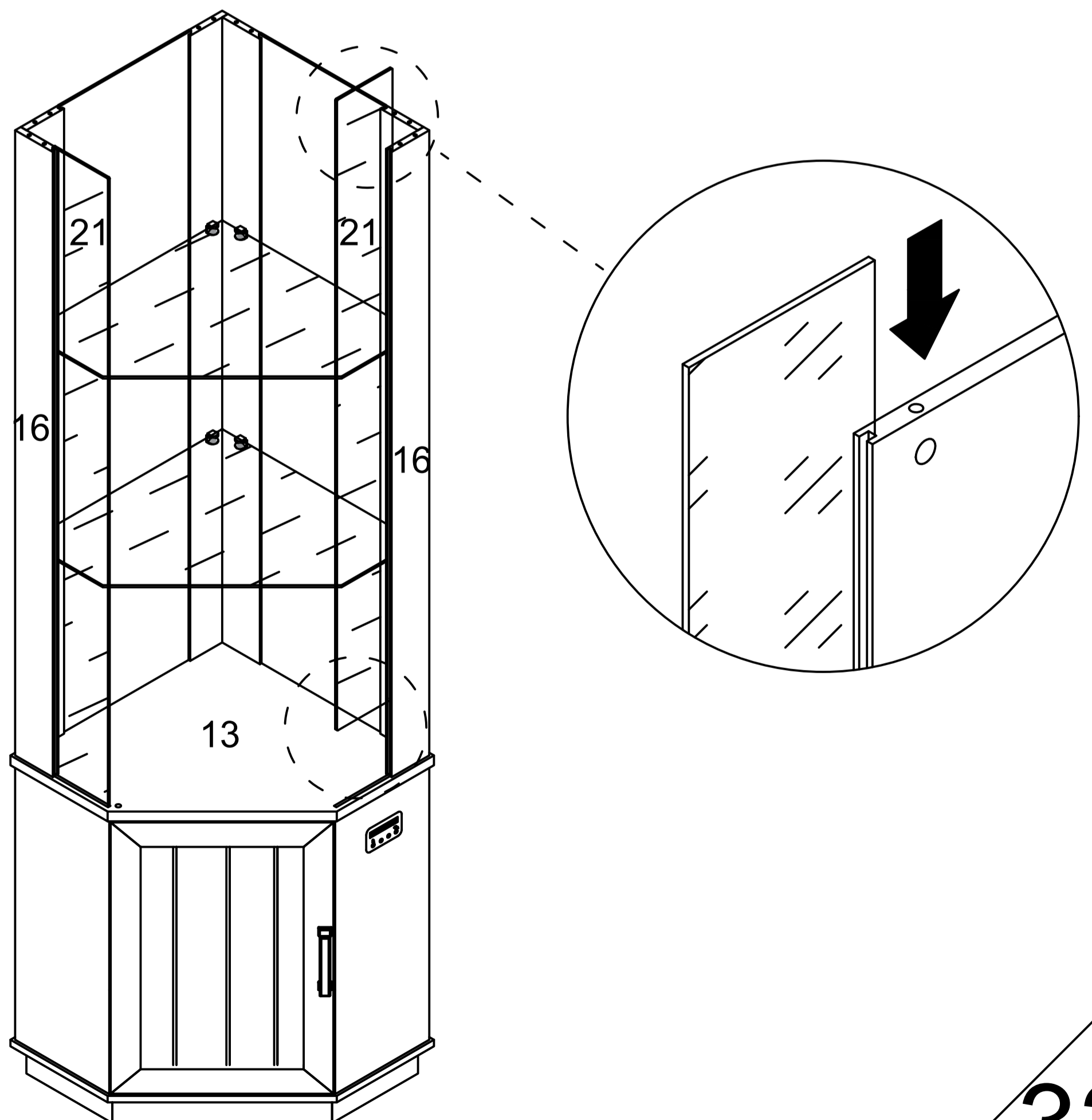
Tip: Adjusting the screw to rotate to the left can fix the glass

# Step 44



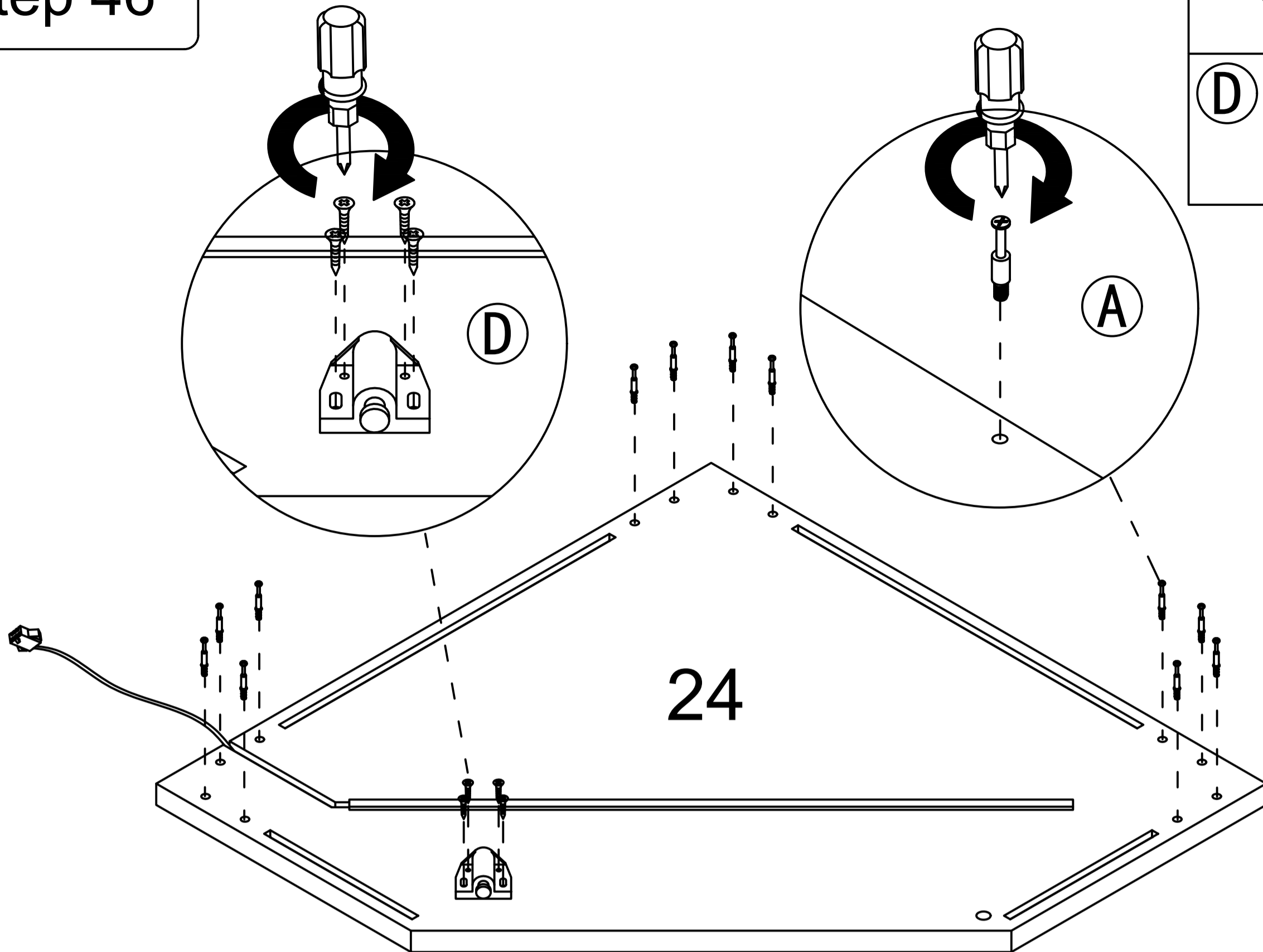
Tip: Install carefully Pay attention to the glass falling down

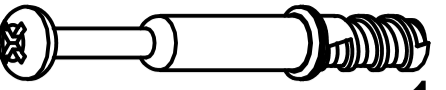


# Step 45



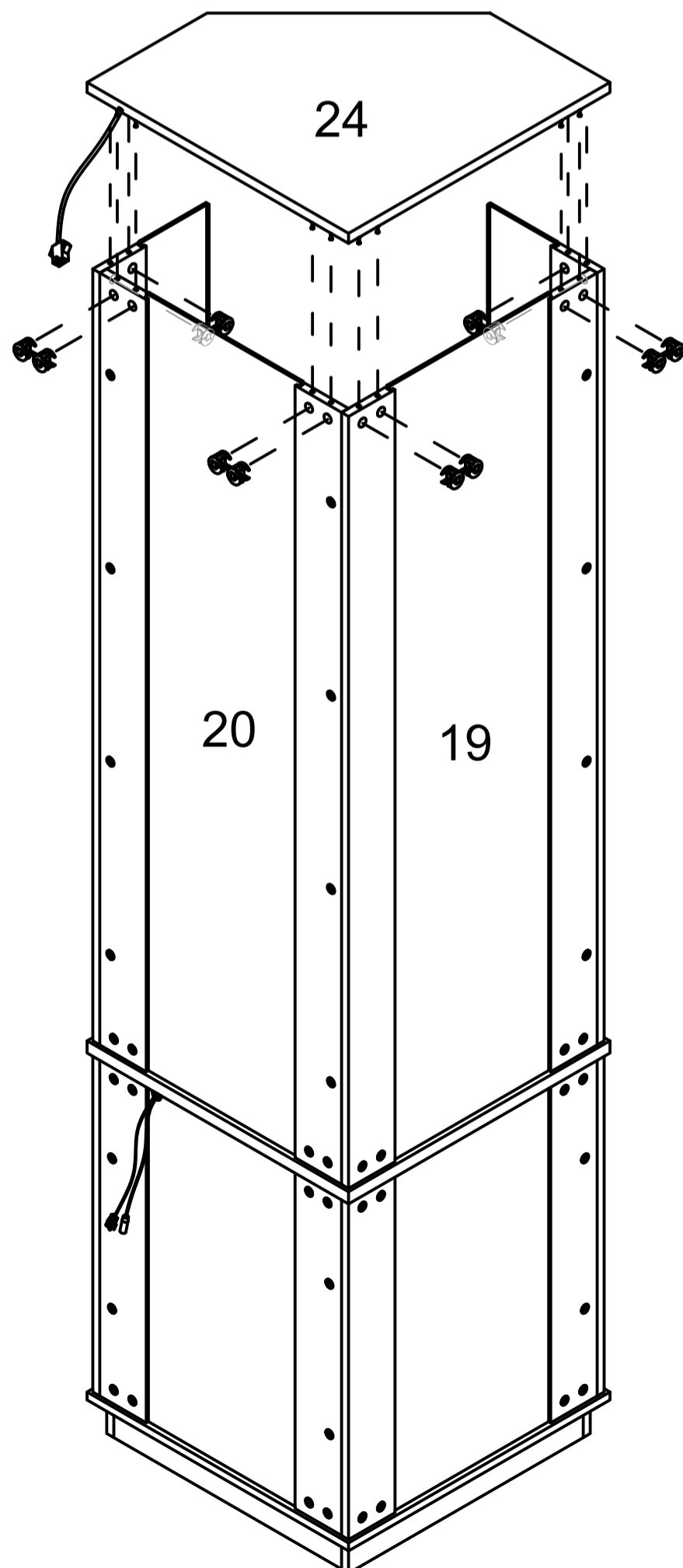
Tip: Install carefully Pay attention to the glass falling down


Step 46

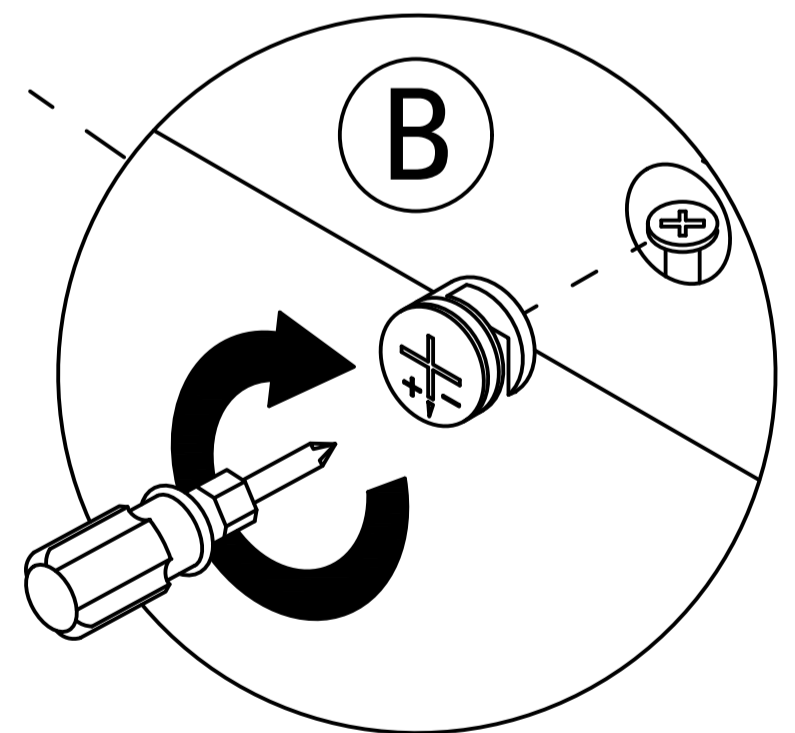


- (A)  x12
- (D)  1pcs  4pcs

Step 47

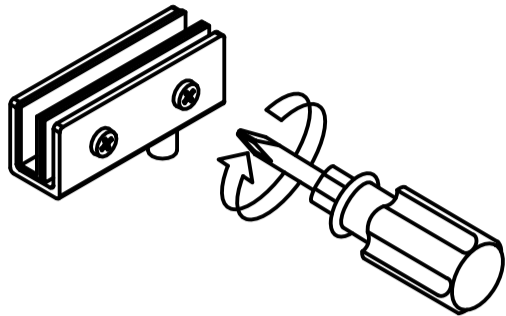


- (B)  x12

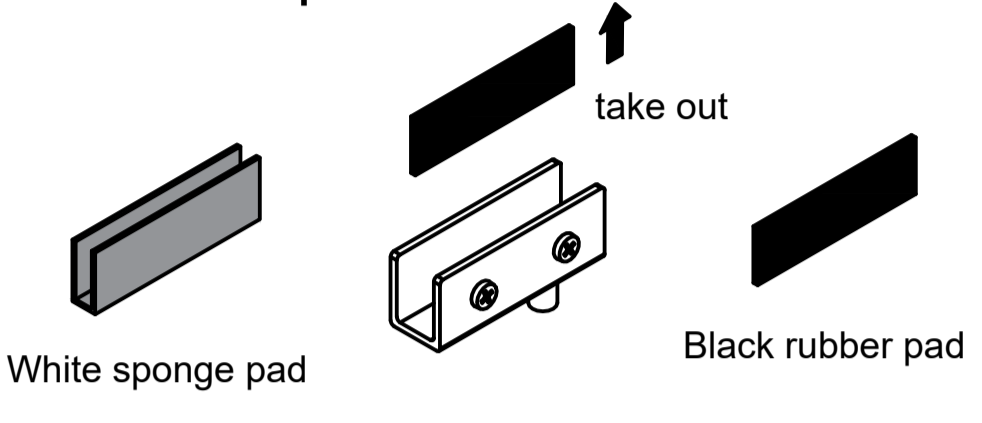


# Step 48

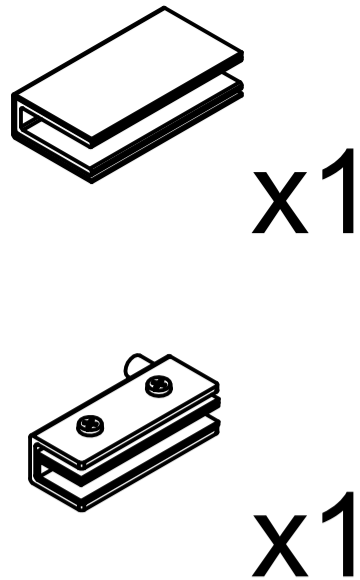
First, completely unscrew the screws on the parts



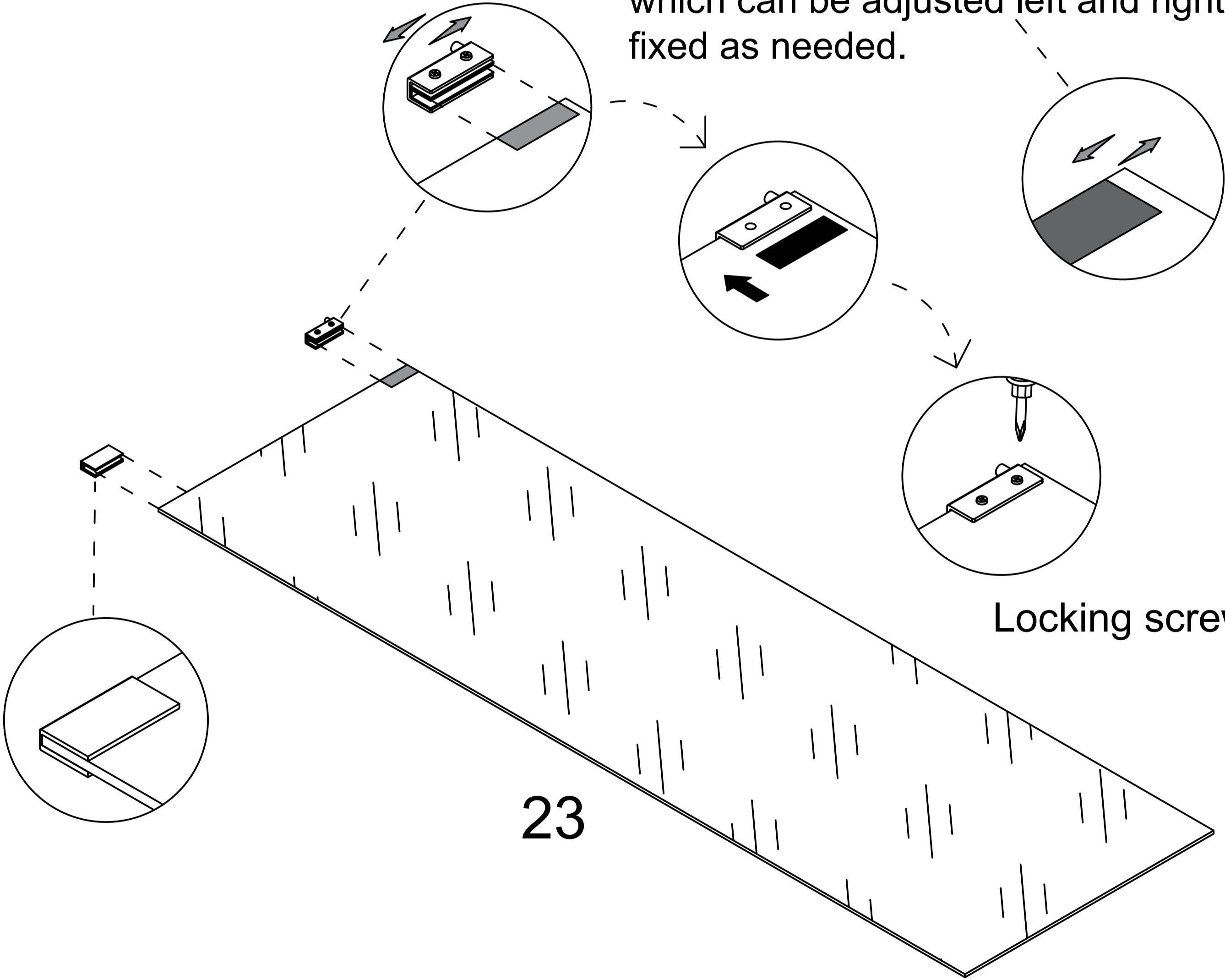
Then take out the black rubber pad from the inside of the part, and the white sponge remains unchanged inside the part.



D



The distance between the mounting piece and the glass should be 2 mm, which can be adjusted left and right and fixed as needed.



Locking screw

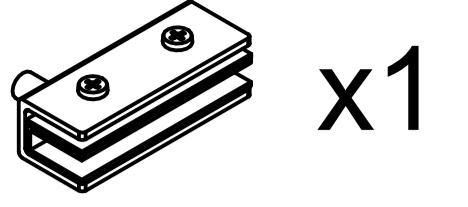
23

Pay attention to the direction of the door hinge rotate the screws to compress the black gasket. and do not place it in the opposite direction

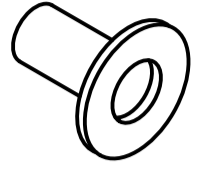
Place the black gasket on the side where the screws are installed

Step 49

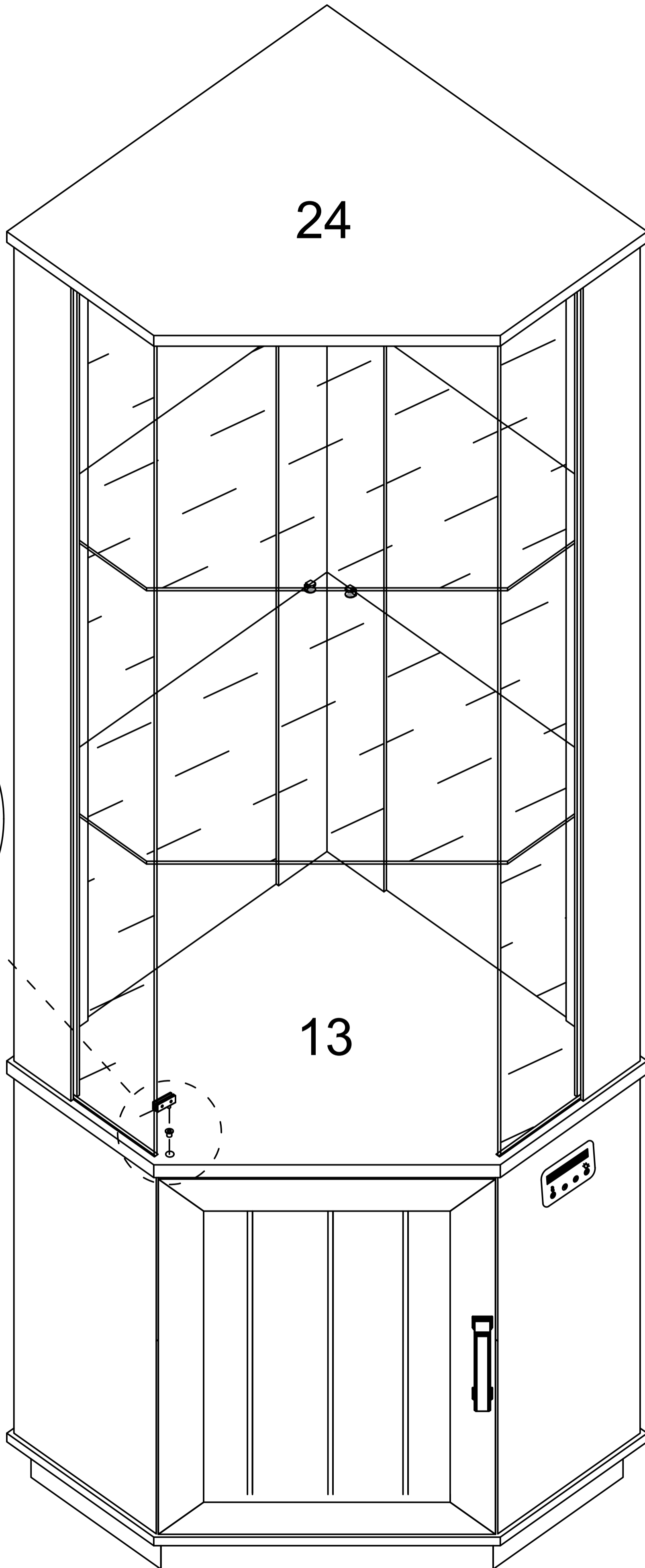
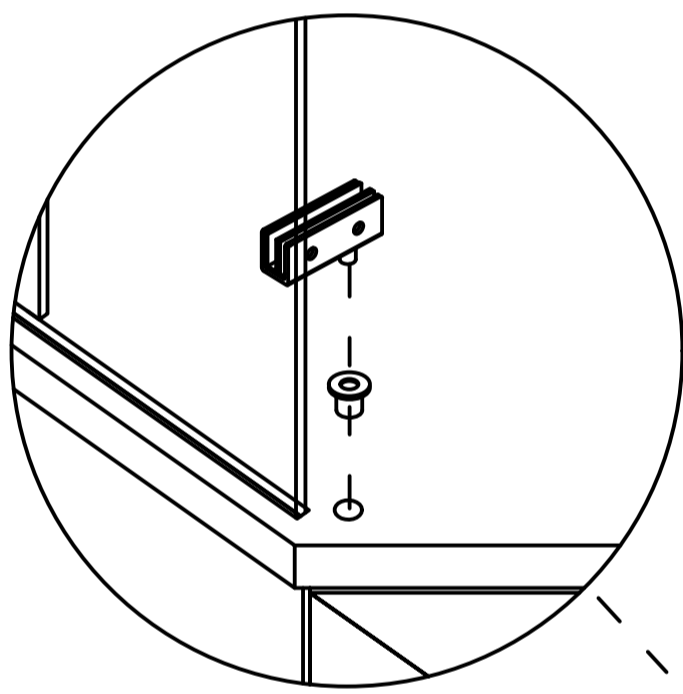
D



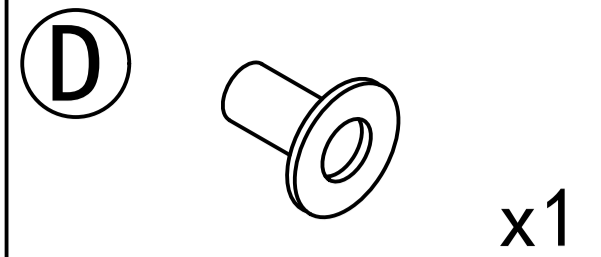
x1



x1

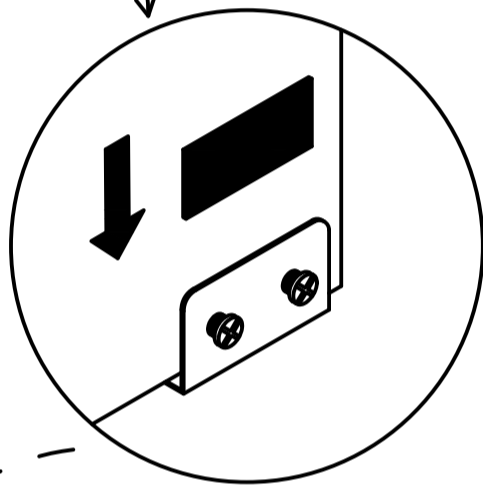
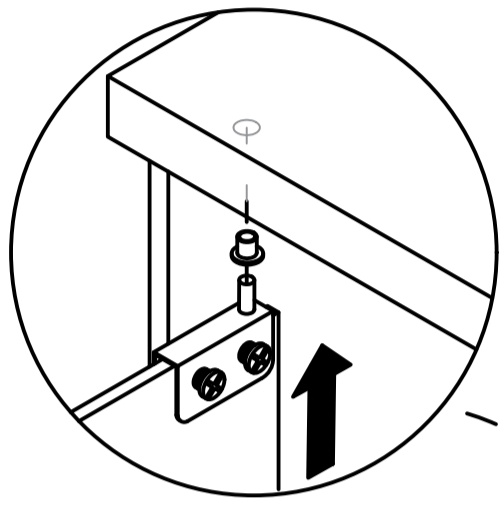


# Step 50



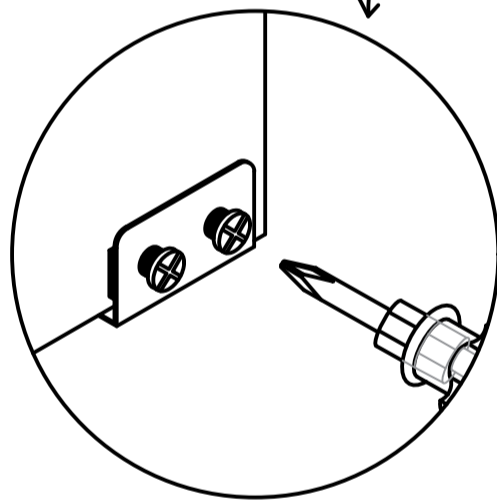
When installing a glass door, it is recommended to have two people install it to avoid the glass door colliding or hitting oneself.

Pay attention to the direction of the door hinge during installation



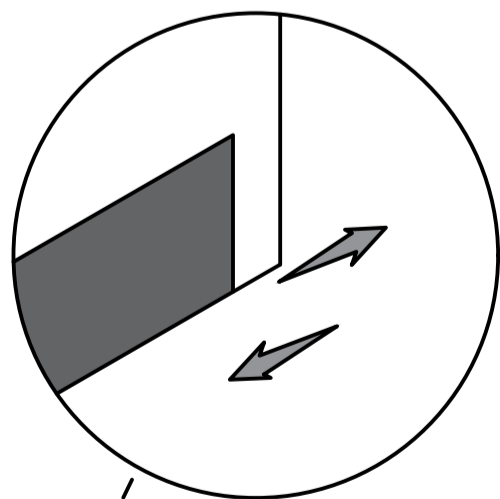
second

After installing the glass door, place the black gasket on the side where the screws are installed

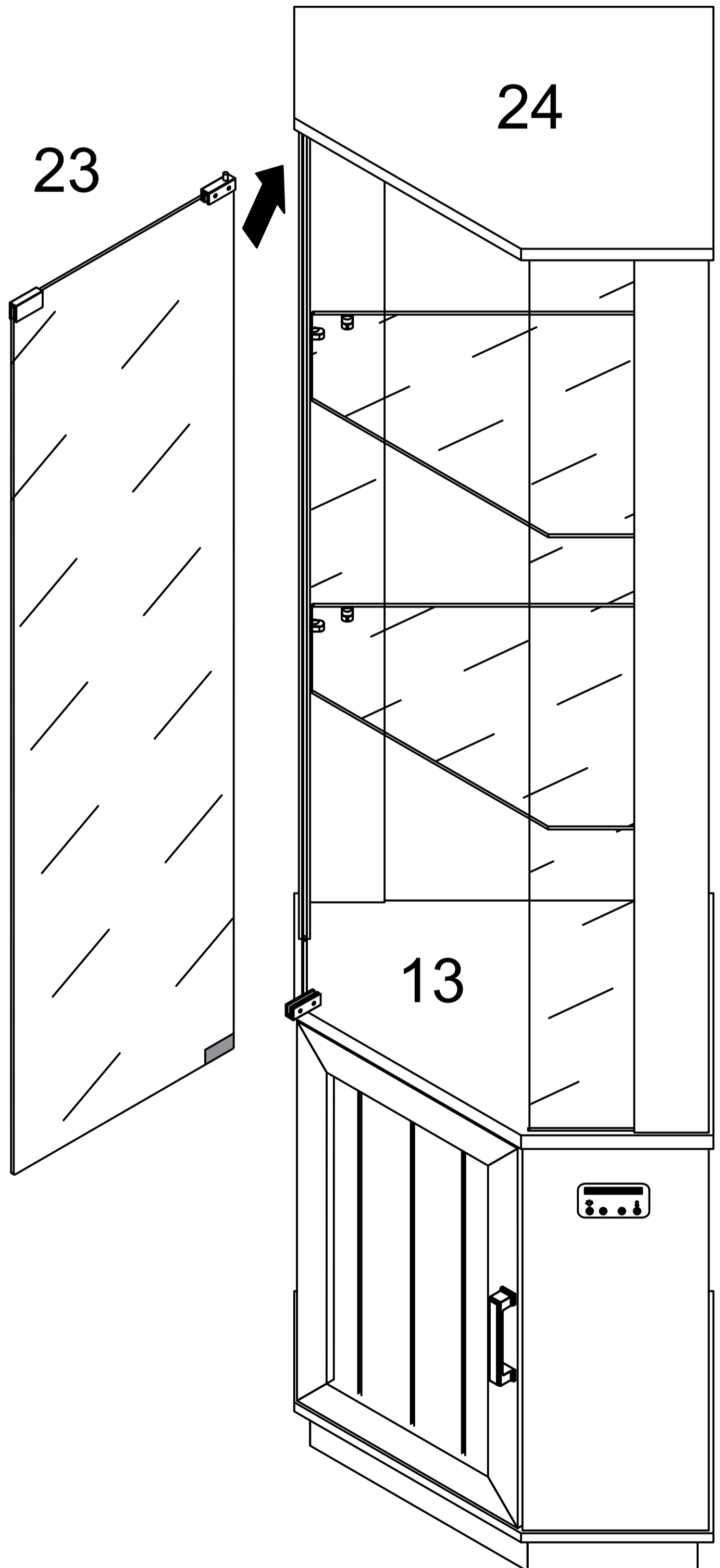


third

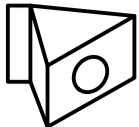

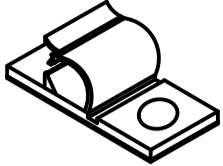
Locking screw

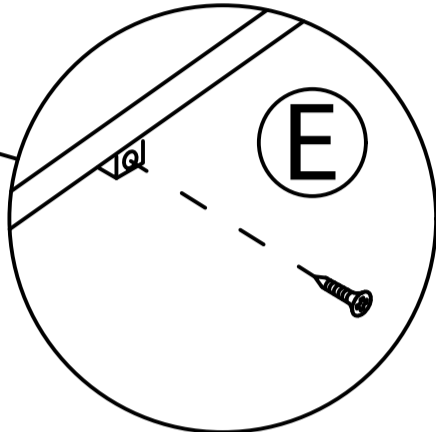
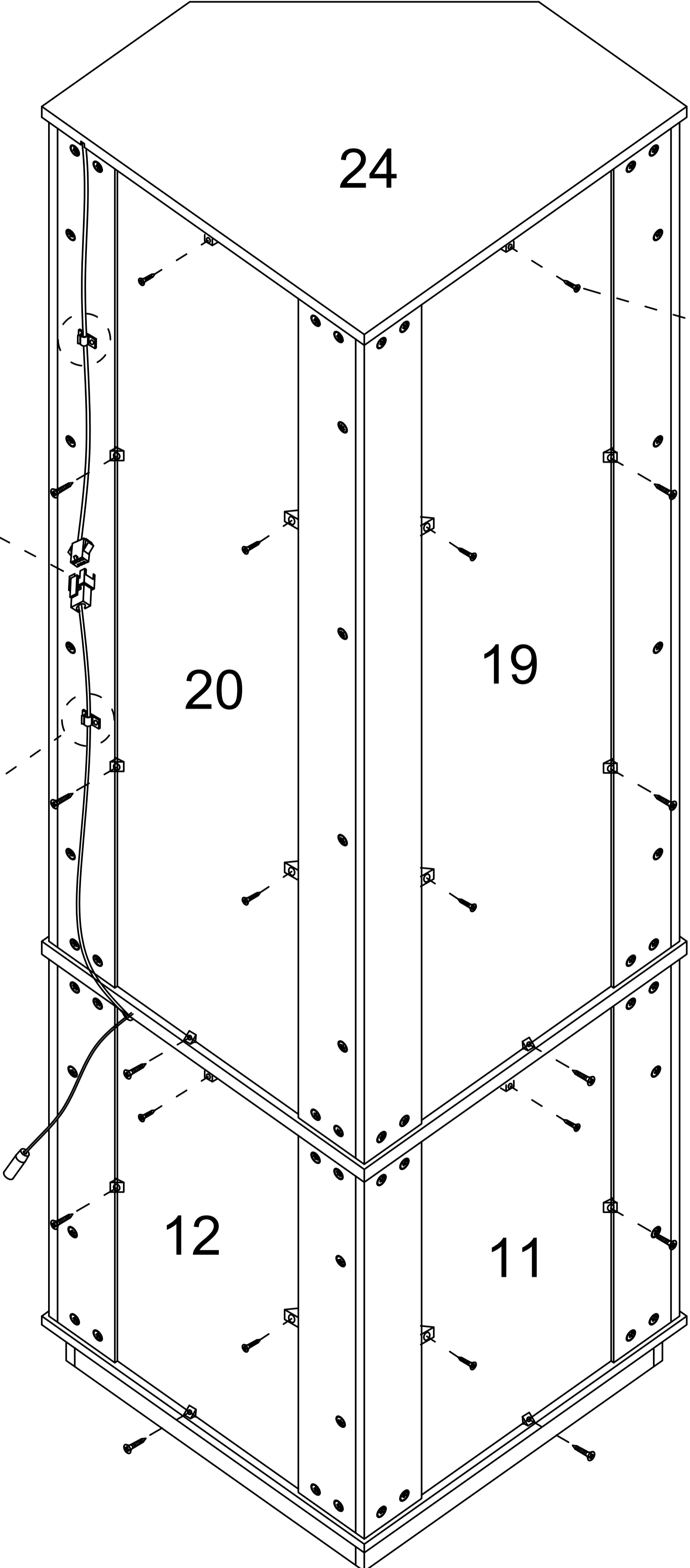
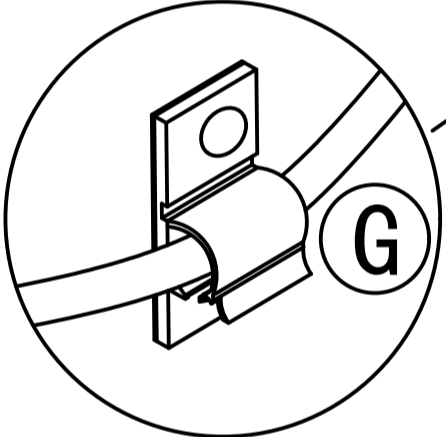
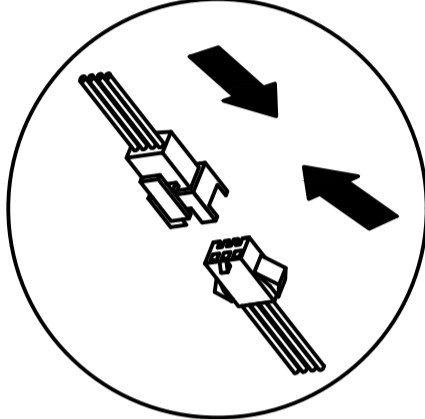


The distance between the mounting piece and the glass should be 2 mm, which can be adjusted left and right and fixed as needed.



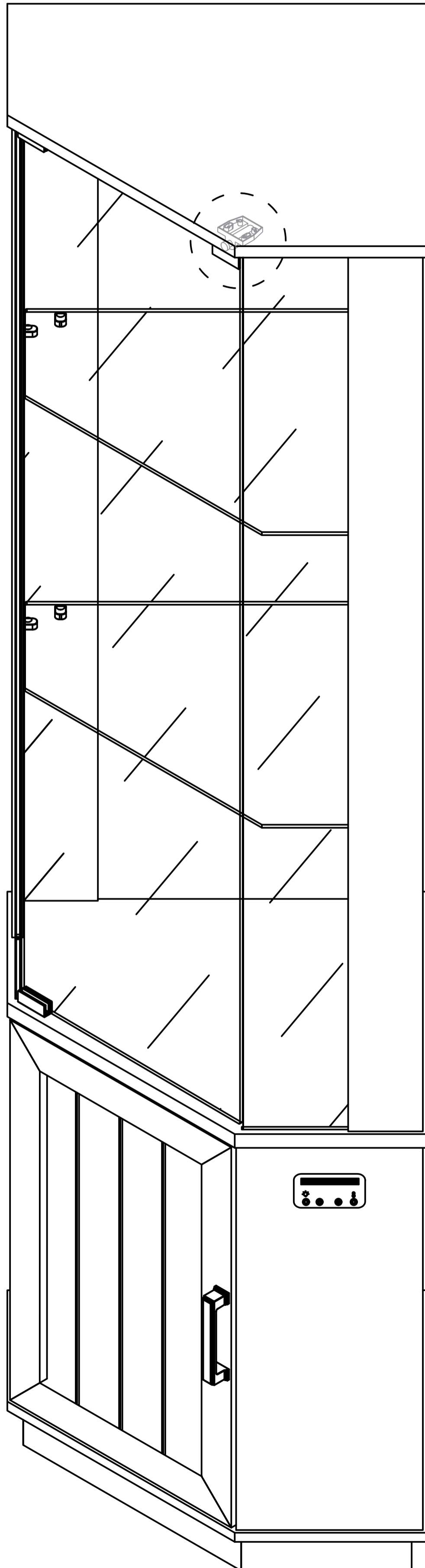
Step 51

- (E)   x20
- (G)  x2

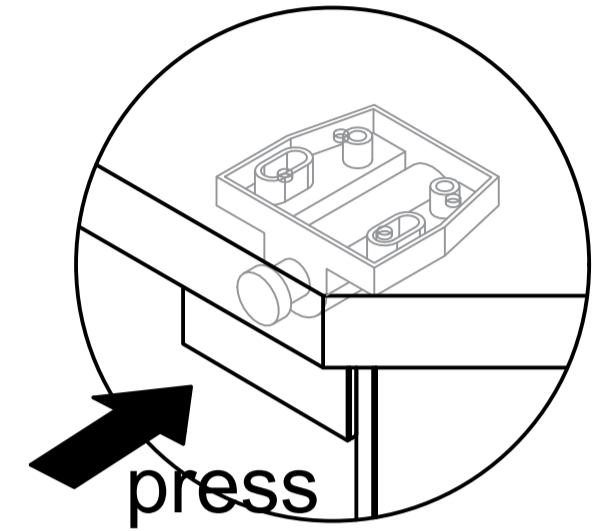


Step 52

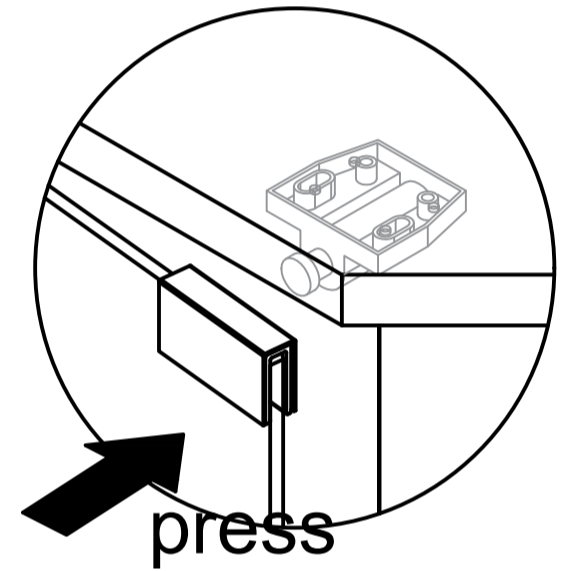
The rebound device automatically opens and closes by pressing



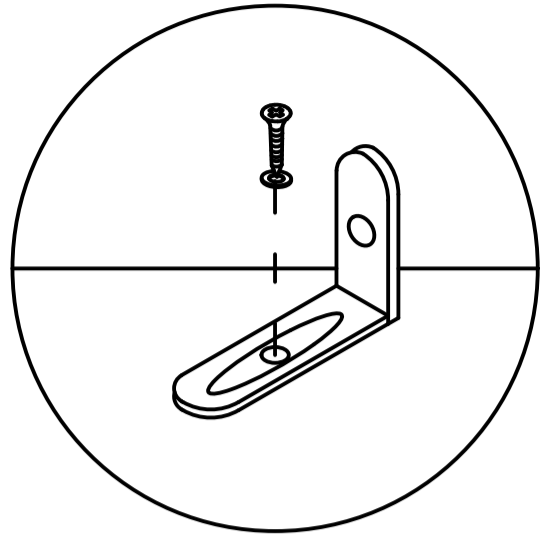
Open the glass door



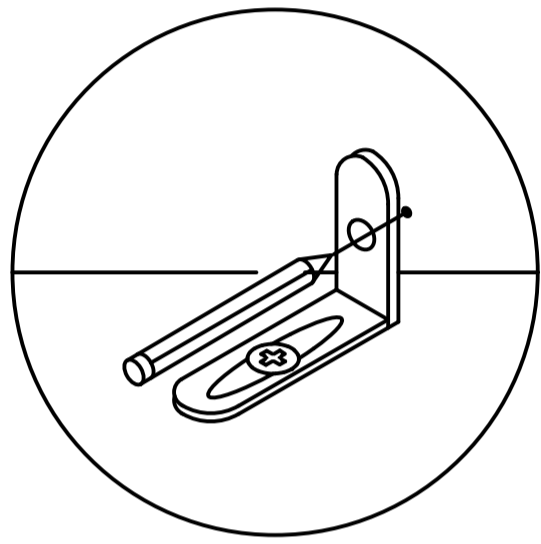
Clese the glass door



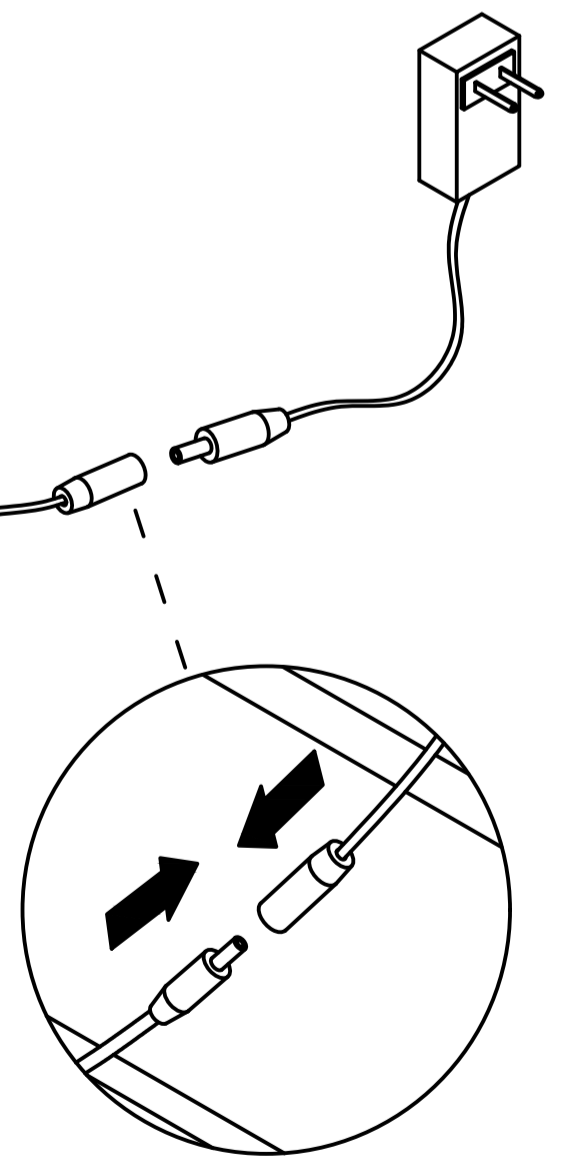
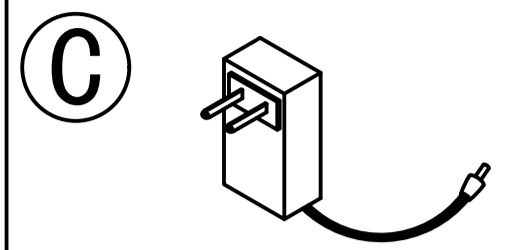
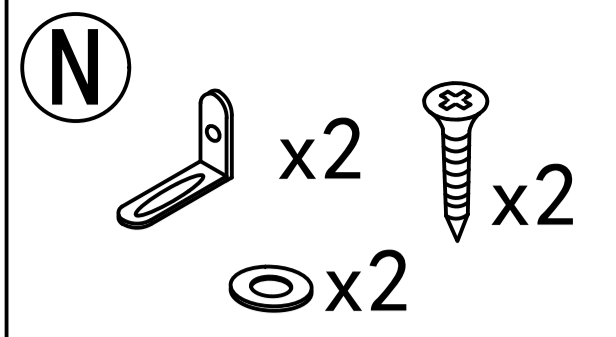
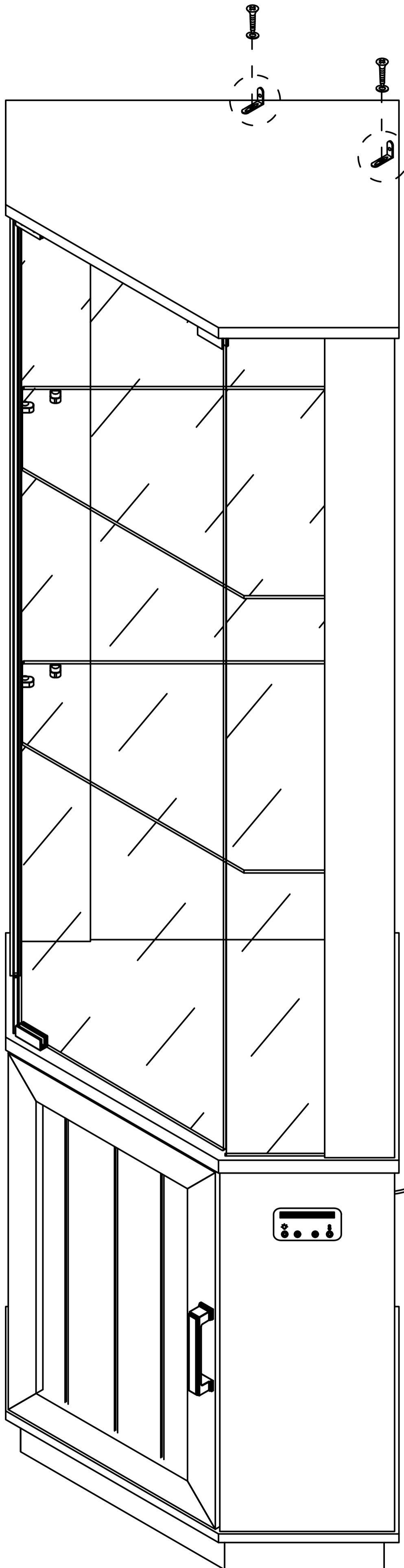
# Step 53



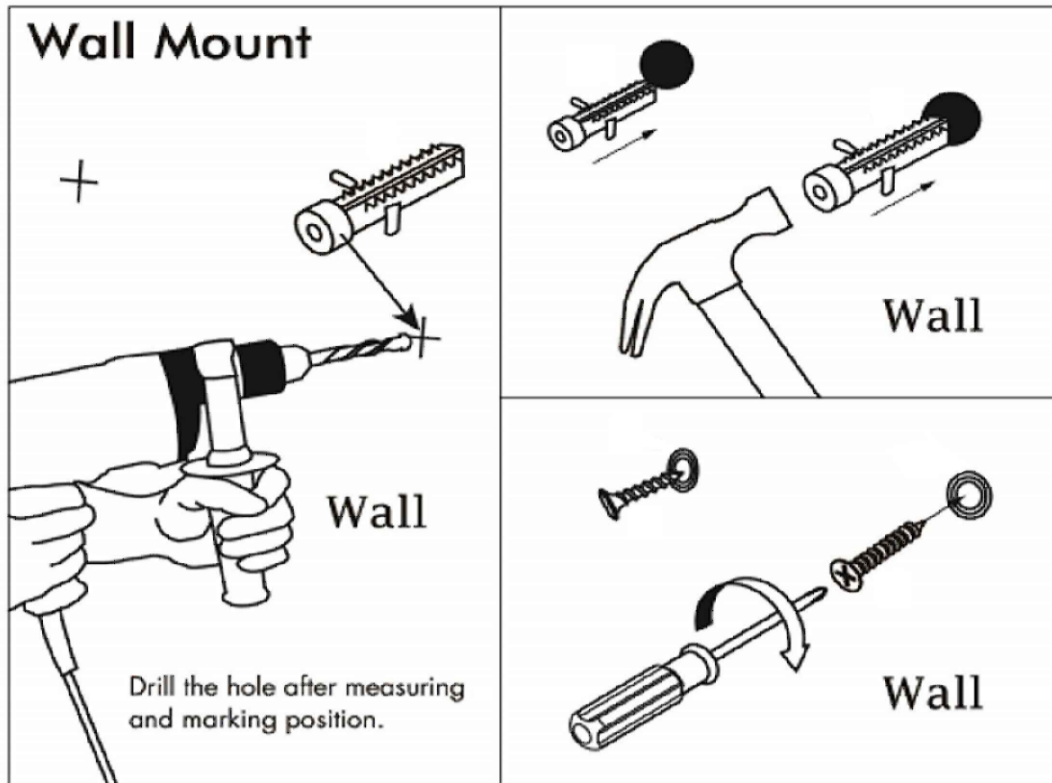
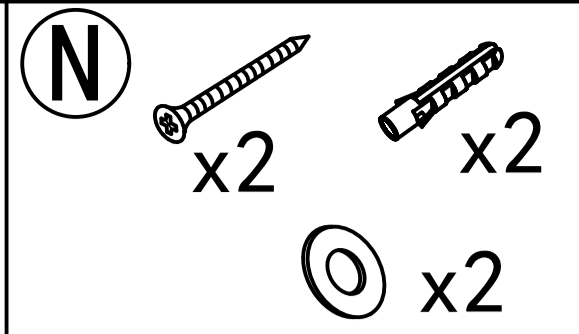
Install the anti fall hardware on the cabinet as shown in the picture first



Then mark the wall with a pencil through the holes in the anti-fall hardware



# Step 54

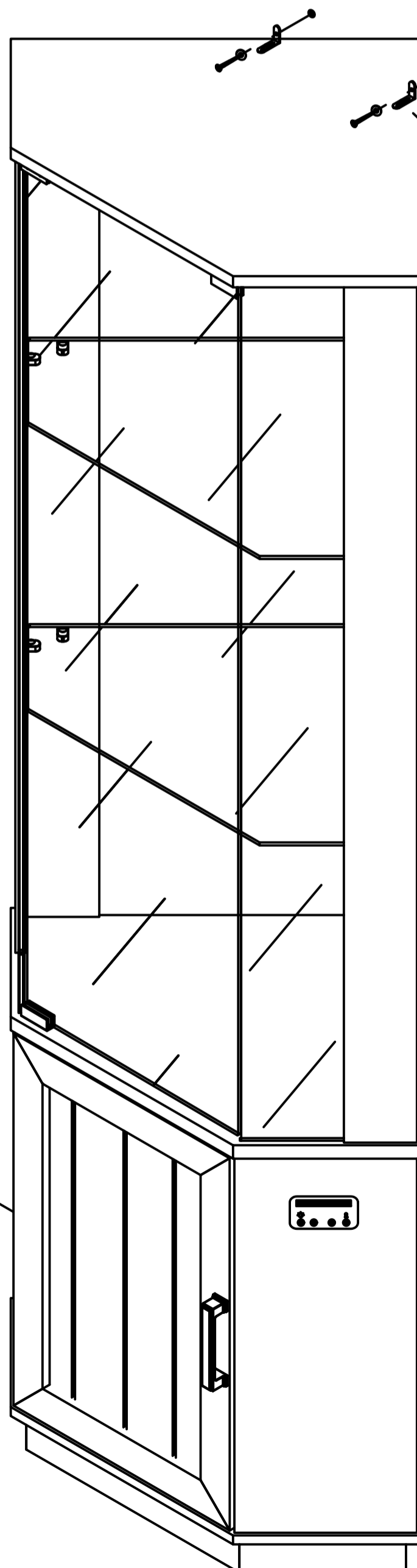


Put the expansionbolt into the hole.

Pass the matching screw through the "anti-rewind" and tighten them to fix them on the wall.

Use a tape drill to make holes in the wall that are suitable for the product screws.

wall



wall



### User Manual

1. When using this product, please connect it to a 12V DC power supply.
2. If there is no touch response suddenly, you can try to cut off the power, reconnect and reset the program.
3. If bubbles appear on the panel, please remove the protective film.

### Product Presentation

The Smart Color-Changing Box comes equipped with a built-in 5.8G radar motion sensor, capable of detecting nearby objects within a 2-meter range to automatically turn the light on. It offers 24 different light colors and multiple lighting modes for easy switching.

### Function Introduction

The touch button can switch the radar sensing function. A single touch activates the radar sensing function, and the indicator light turns on, causing the light to illuminate. When no movement is detected within 30 seconds, the indicator light and the controlled light will turn off. If there is movement of people or objects within a 2-meter range, the indicator light will turn on, and the controlled light will illuminate.

Press and hold the button for more than 0.5 seconds to deactivate the human body sensing function. The indicator light will turn off, and the light strip will remain in its previous state, unaffected by human or object movement.

By default, the radar sensing function is enabled when the smart box is powered on for the first time.

This touch button activates the dynamic phantom color mode, which features 5 different magic color transition modes.



This area is for the color switching function. You can click or swipe to any position on the color bar to switch to the desired color.

This touch button is the main switch for the smart box. It can turn off all functions of the box and control the on/off of the light strip. Upon the first power-up, the default light will be white.

This touch button is for the monochrome switching function of the light strip, with 7 colors to choose from. A long press enables infinite dimming of the light.