



BLUE SKY

OUTDOOR LIVING



OWNER'S MANUAL
SWING-AWAY GRILL

SAG24

Blue Sky can provide elevated ambience, quality and safety to your outdoor living space. Our products are designed to create a practical space to bring people together. Whether you're using Blue Sky products to roast s'mores in your backyard, enjoy a beach bonfire, assist at your tailgate or accompany you on a camping trip, you can rely on their durability and performance. Thank you for your purchase of this Blue Sky swing-away grill.

CONNECT WITH US

www.blueskyoutdoorliving.com



@blueskyoutdoorliving

Fill in the following information and retain this manual for future reference:

MODEL(S): _____

DATE OF PURCHASE: _____

PLACE OF PURCHASE: _____

RECEIPT NO: _____

SAG24

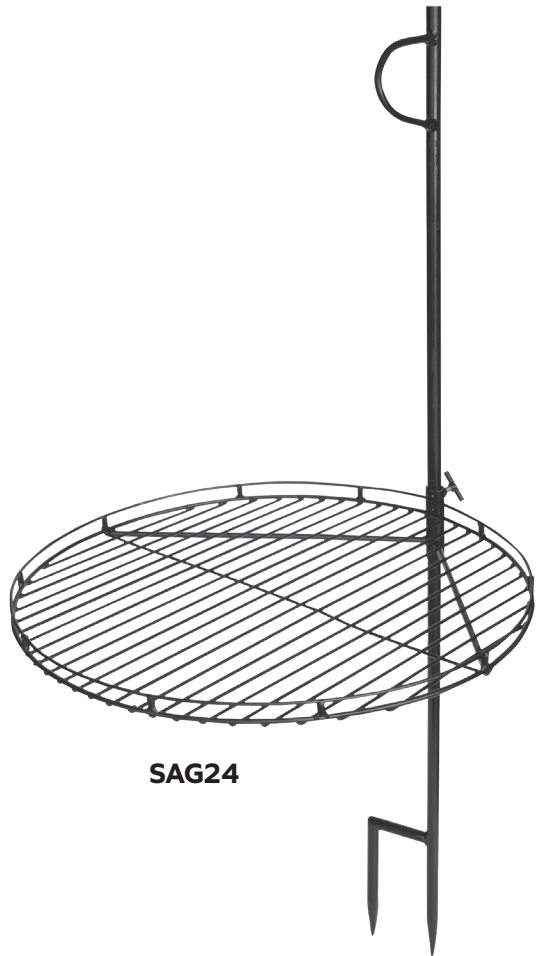
24" Swing-Away Grill

24" Dia x 46" H

61 cm Dia x 116.8 cm H

The following fire ring models have a support tube for the swing-away grill:

- 28" Round Fire Ring
#FR28
- 36" Round Fire Rings
#FR3612 or #PCFR3612
- 36" Square Fire Rings
#FF3636 or #PCFF3636



FOR YOUR SAFETY

PLEASE READ AND UNDERSTAND ALL SAFETY RULES BEFORE ASSEMBLING AND USING THIS SWING-AWAY GRILL. FAILURE TO FOLLOW THESE INSTRUCTIONS COULD RESULT IN A HAZARDOUS FIRE CAUSING PROPERTY DAMAGE OR PHYSICAL INJURY.

RULES FOR SAFE OPERATION

CAUTION: FOR OUTDOOR USE ONLY. DO NOT USE INDOORS.

- Use on a hard, compact surface such as packed dirt or between rocks.
- For adult use only – do not allow children to use the grill.
Keep children and pets away from the grill while it is in use.
- Use the grill on stone, dirt or sand only.
- Do not use on lawns, wooden decks, concrete or asphalt.
- Do not use under a patio roof, low hanging branches, trellis, or overhangs of any kind including covered porches.
- Do not use in windy conditions.
- Do not leave fire unattended at any time.
- Care should be taken to make sure all combustible material is far enough away from the fire to not ignite.
- Always use in accordance with all applicable local and state fire codes.
- Exercise the same precautions you would with any open fire.
- Do not wear flammable or loose clothing when tending an open fire.
- Avoid touching surfaces, as they will be extremely hot.
- Assure fire is completely extinguished before leaving.
- Any modifications to this appliance may be dangerous and are not permitted.

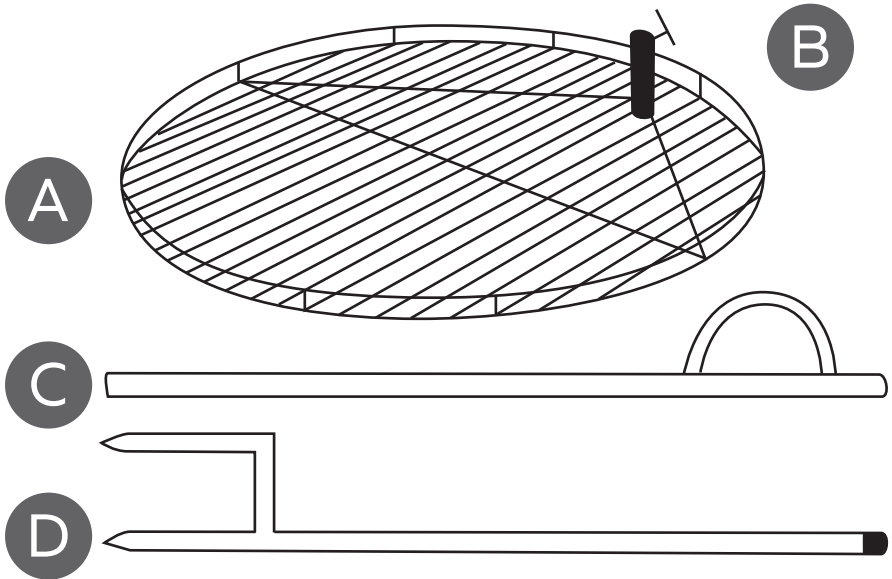
HELPFUL HINTS

- Turn grill slowly to avoid rolling the food off the grill.
- Be cautious, as the grill will be hot if placed over a fire. Use hand protection.
- Do not place the grill in an area where it could be easily tripped over.
- The swing-away grill should be cleaned periodically using hot, soapy water. Use a wire brush, steel wool or a scouring pad to remove stubborn or loose spots.

PARTS LIST

UNPACK PARTS, MAKING SURE ALL PIECES ARE PRESENT BEFORE ATTEMPTING TO ASSEMBLE.

REF	QTY	DESCRIPTION
A	1	Adjustable Grill
B	1	Turn Lock Screw
C	1	Grill Support Post with Handle
D	1	Grill Support Post with Stake



ASSEMBLY

STEP 1

Slide the adjustable grill [A] onto the grill support post with handle [C]. Screw the grill support post with handle [C] into the grill support post with ground stake [D].

STEP 2

Use the turn lock screw [B] on the adjustable grill [A] to adjust the height off the grill. Make sure turn lock screw is tight and secure before continuing.

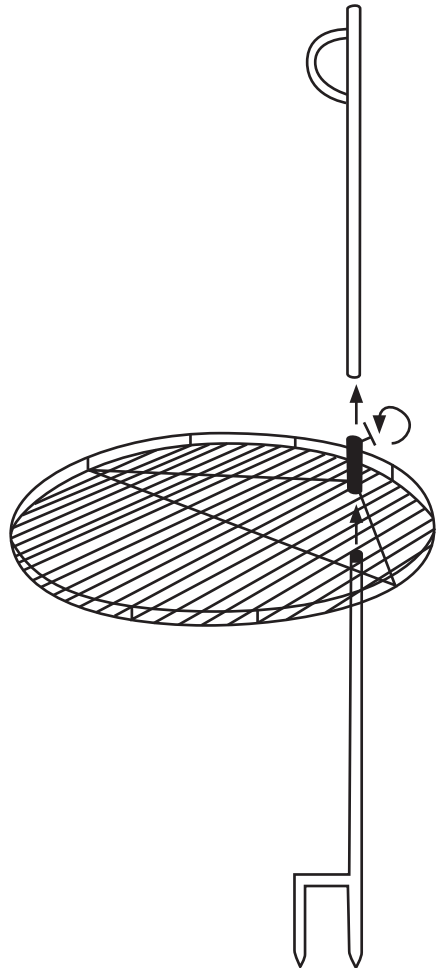
STEP 3

Push the ground stake into a hard, compact surface or secure between several rocks. Make sure ground stake is well into the ground.

NOTE: Some of our fire rings have a support tube where you can attach the swing-away grill. Consult the list on page 3 of this manual.

STEP 4

Loosen the turn lock screw [B] and swing the grill over the fire. Start grilling!





BLUE SKY

OUTDOOR LIVING

Manufactured by:

Quality Craft

Surrey, BC, Canada V3S 5N4

service@blueskyoutdoorliving.com

1-800-459-4409

(Monday to Friday, 8:00 am–4:30 pm, CST)

Made in China

BKOLSAG-02/19