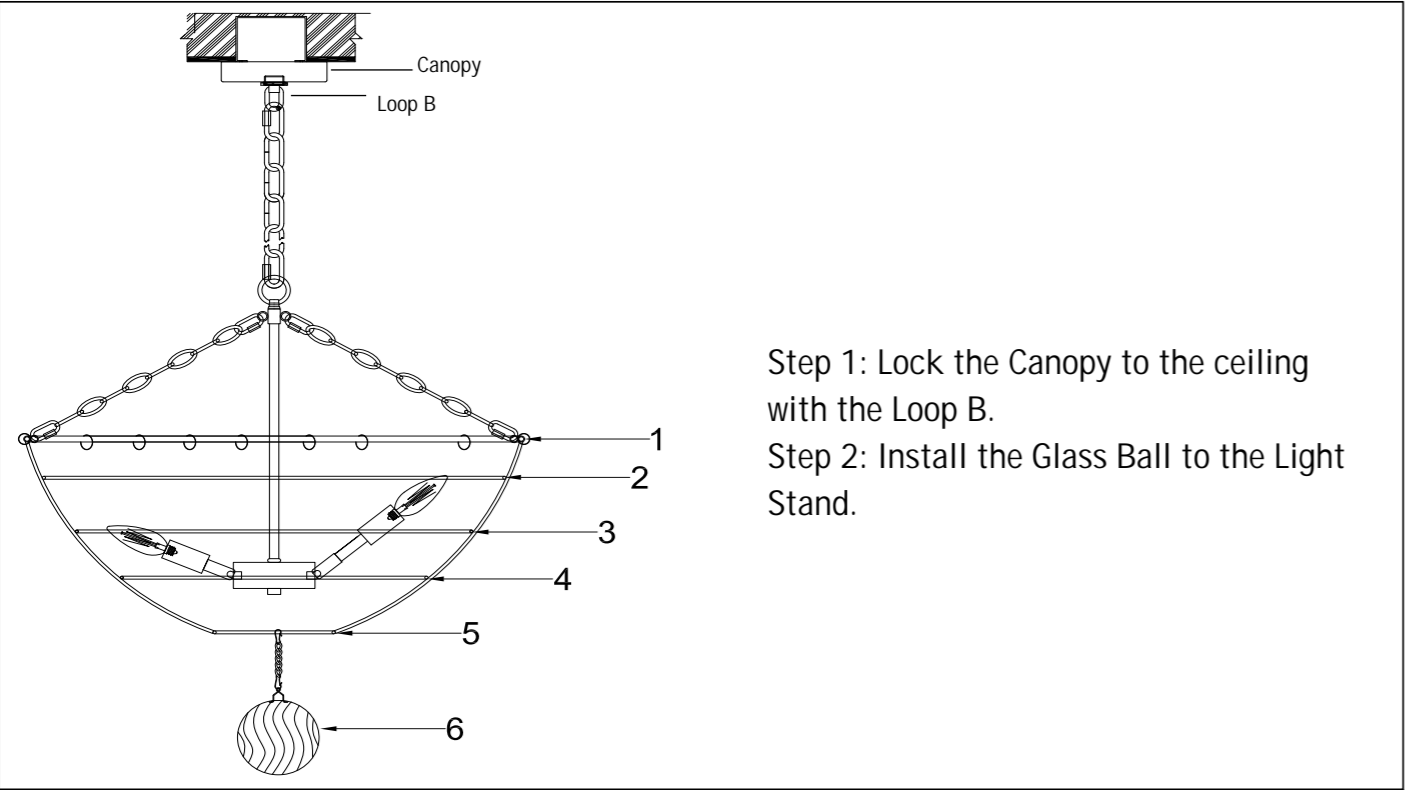


5. Install the Canopy and Glass Ball



INSTALLATION MANUAL

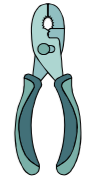
CHANDELIER

Model No: QLP013G-8A

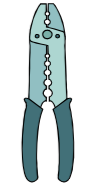
TOOLS REQUIRED



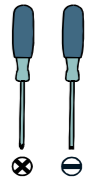
Ladder



Pliers

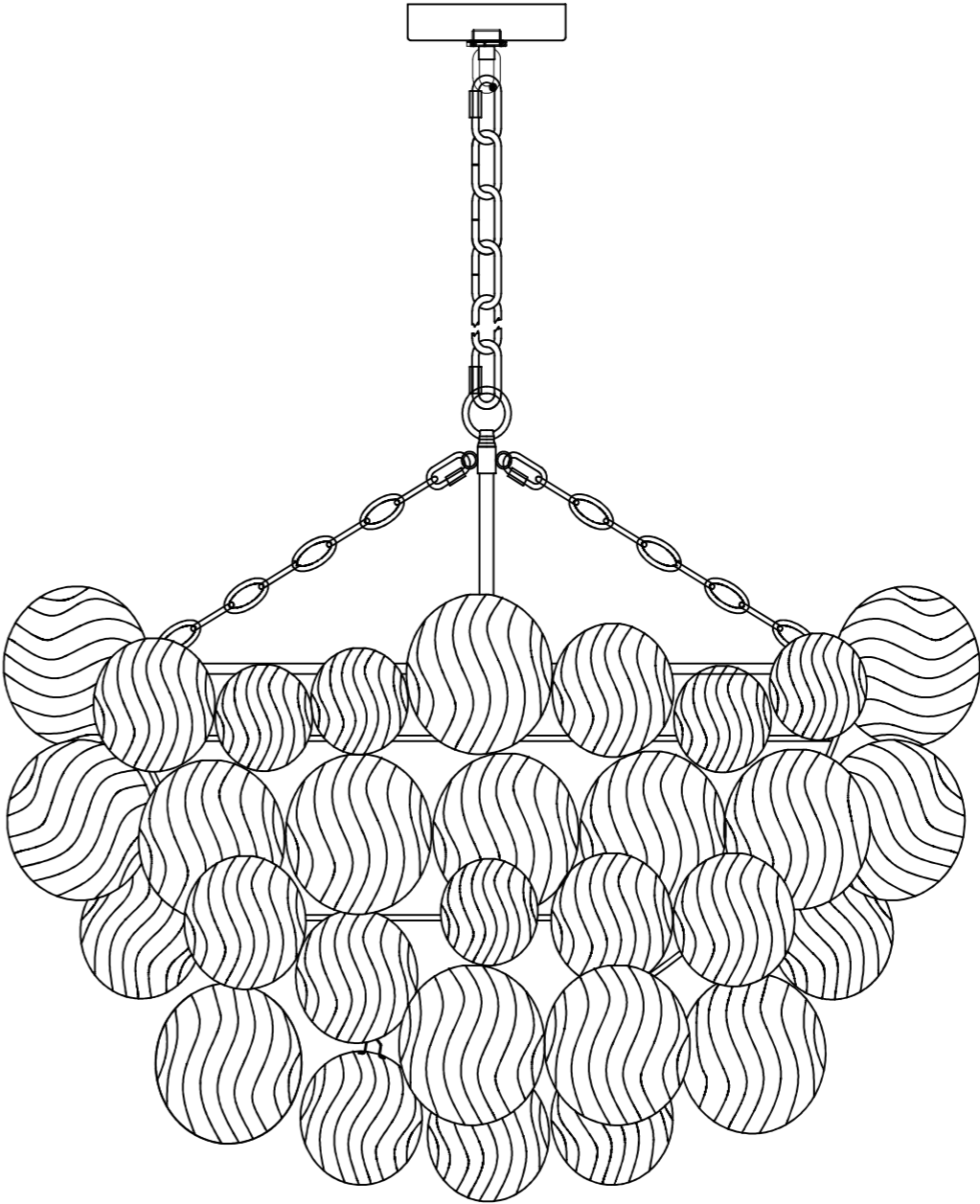
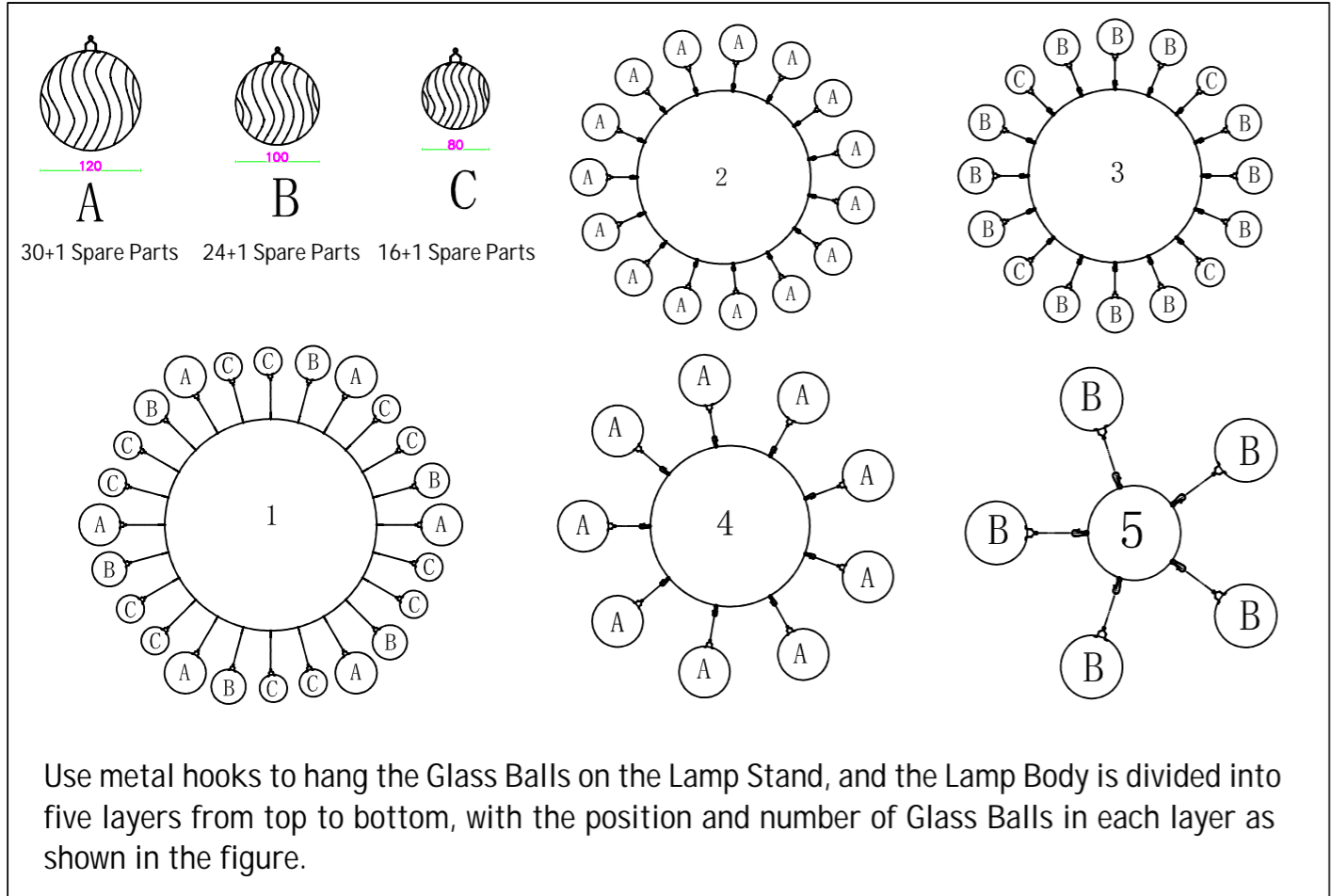


Wire Strippers

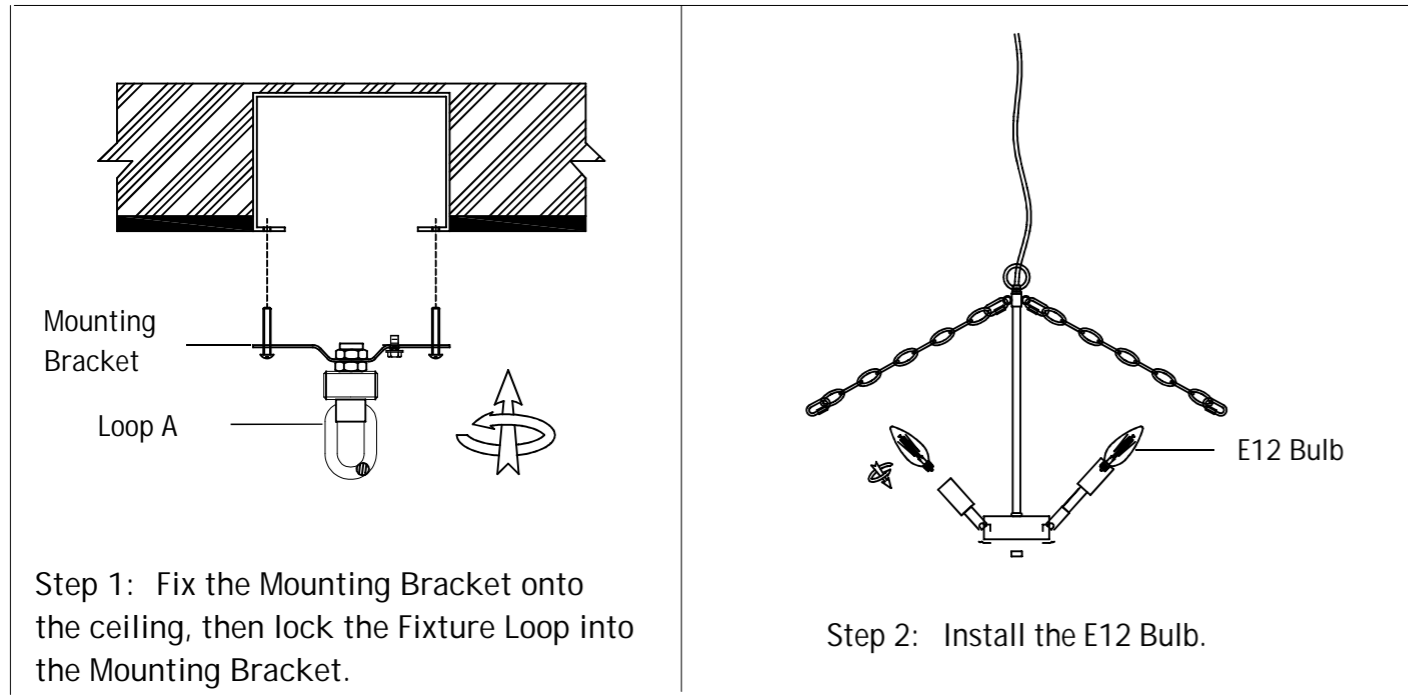


Screwdrivers

6. Glass Ball Installation Location Diagram

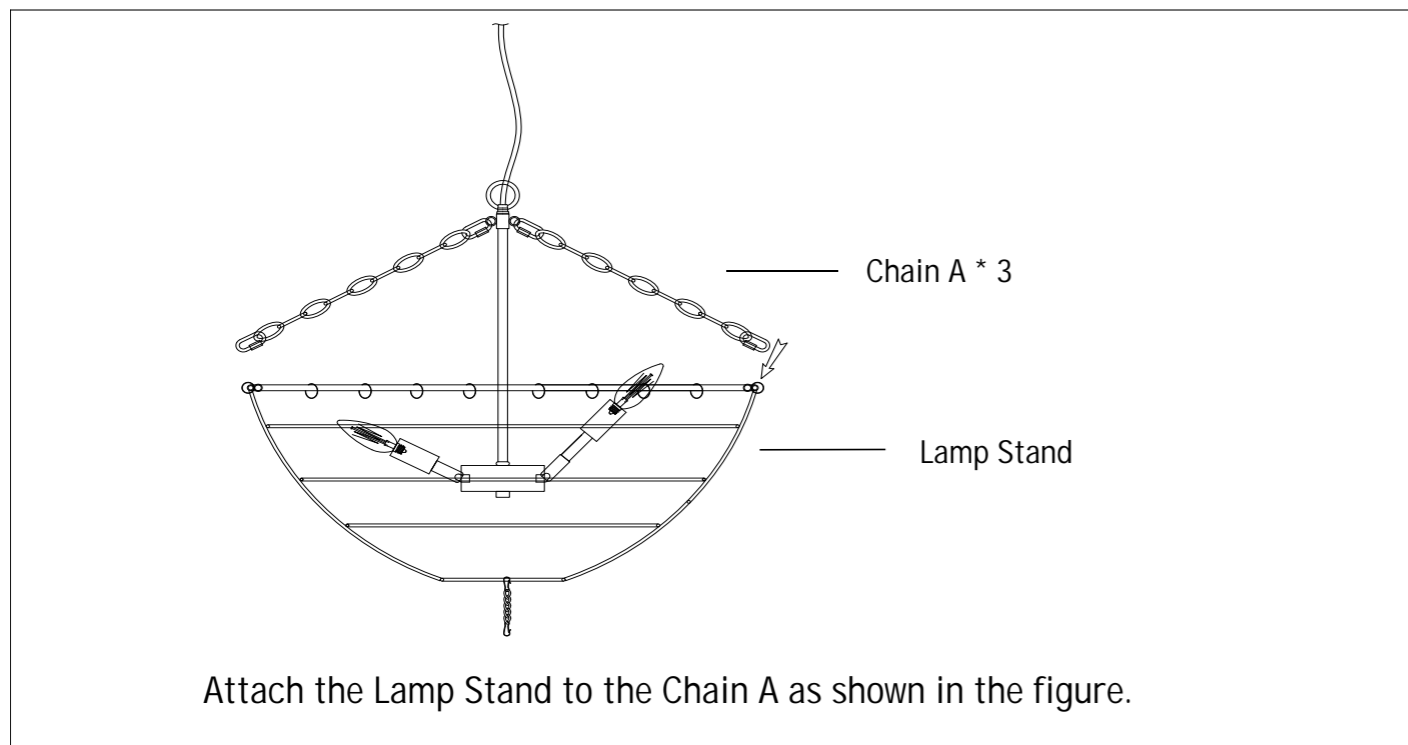


1. Install the Mounting Bracket and Bulbs

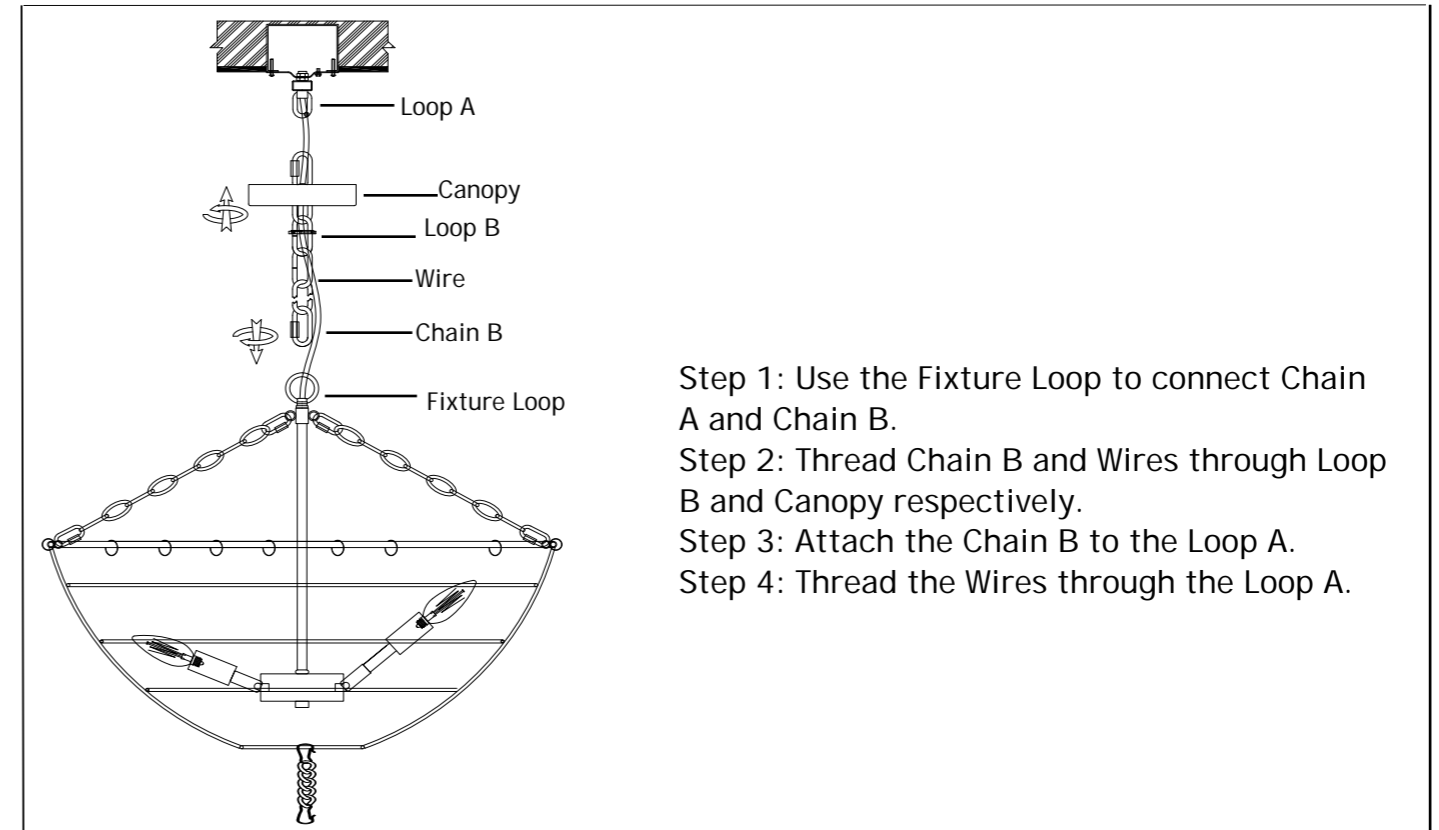


Note:: This lamp uses E12 Bulb base and can only be used in conjunction with LED bulbs up to 40W. Fully dimmable when used with dimmable bulbs and compatible dimming switches (not included).

2. Install the Lamp Body



3. Hang up the Lamp Body



4. Connect the Wires

