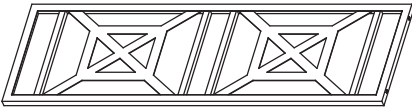
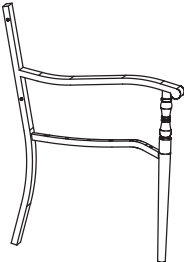







# USER'S MANUAL

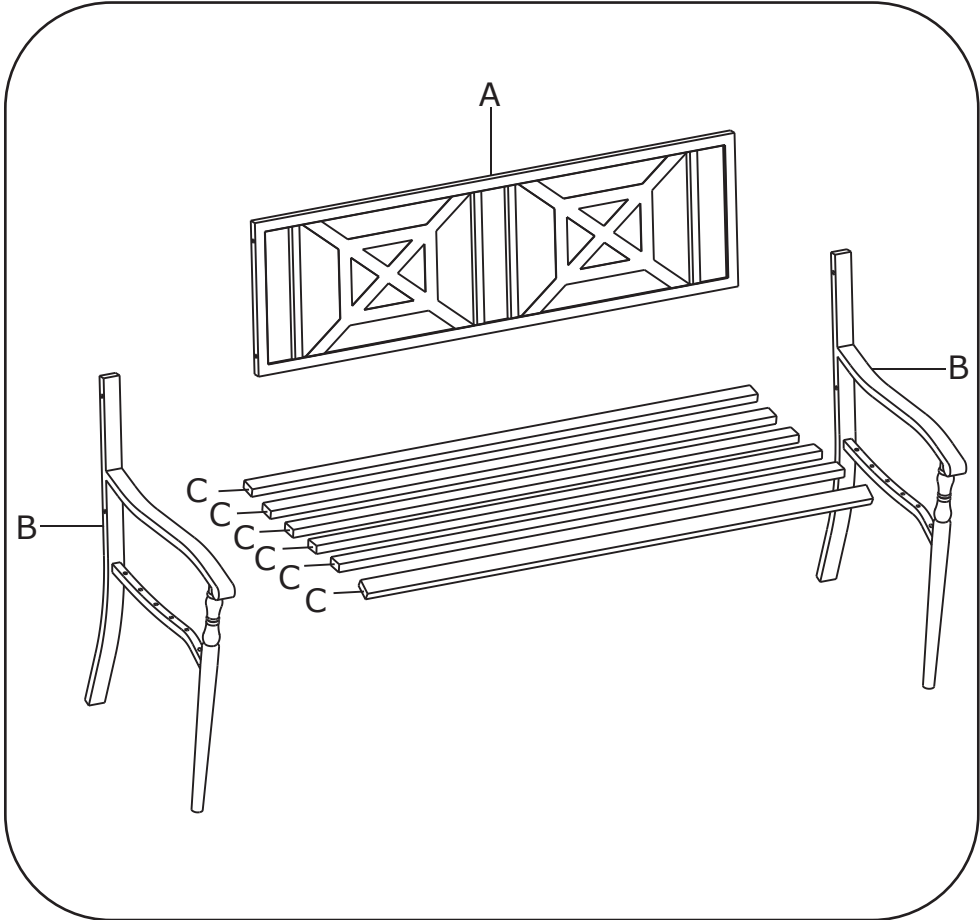
## Metal Garden Bench

# PRODUCT ASSEMBLY

Board Identification		
	AX1	Back
	BX2	Arms
	CX6	Seat slats

Hardware List		
M6X35mm		DX12
M6X55mm		EX4
M6		FX16
4X4		GX1

# PRODUCT ASSEMBLY

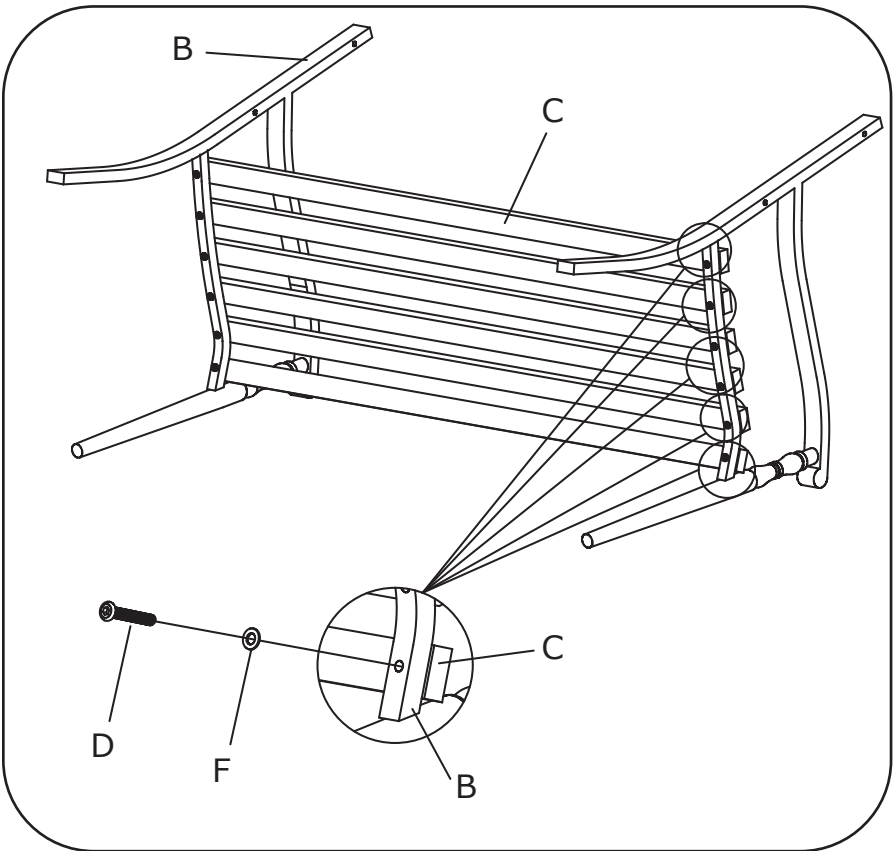


# PRODUCT ASSEMBLY

## STEP 1

Attach the seat slat (C) to the arm (B) by bolts (D) with washers (F) through the pre-drilled holes on the arm into the pre-welded nuts on the seat slat. Repeat step for the other side arm(B).

**IMPORTANT: Do not tighten completely until assembly is completed.**

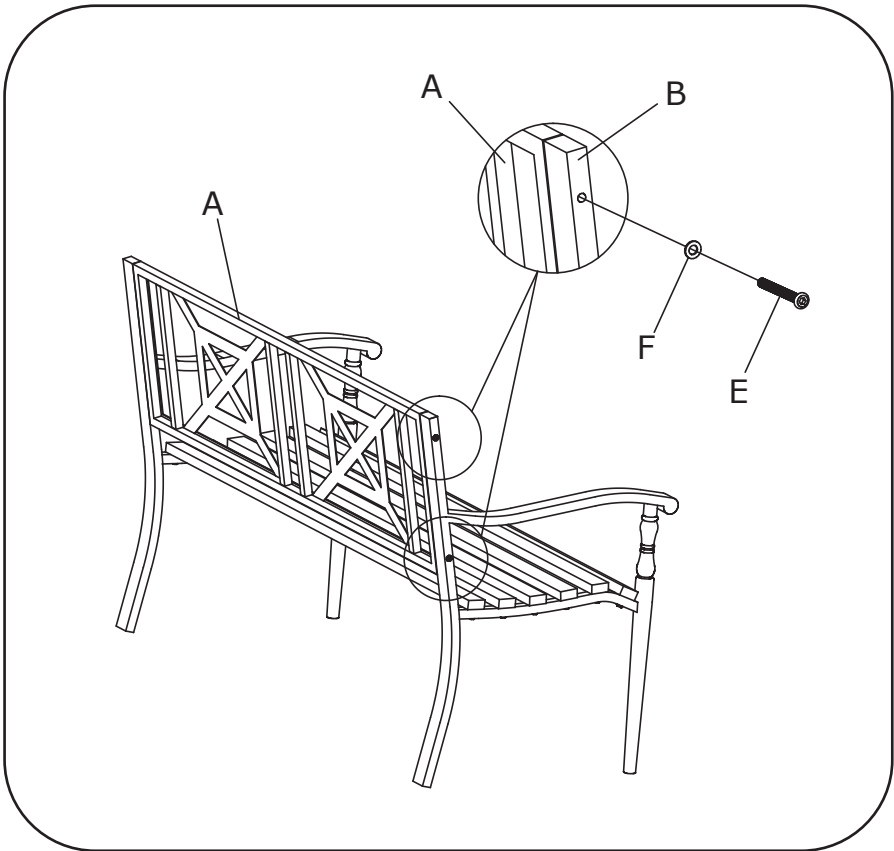


# PRODUCT ASSEMBLY

## STEP 2

Attach the back (A) to the arm (B) by inserting bolts (E) with washers (F) through the pre-drilled holes on the arm into the pre-welded nuts on the back.

Repeat step for the other side arm(B).

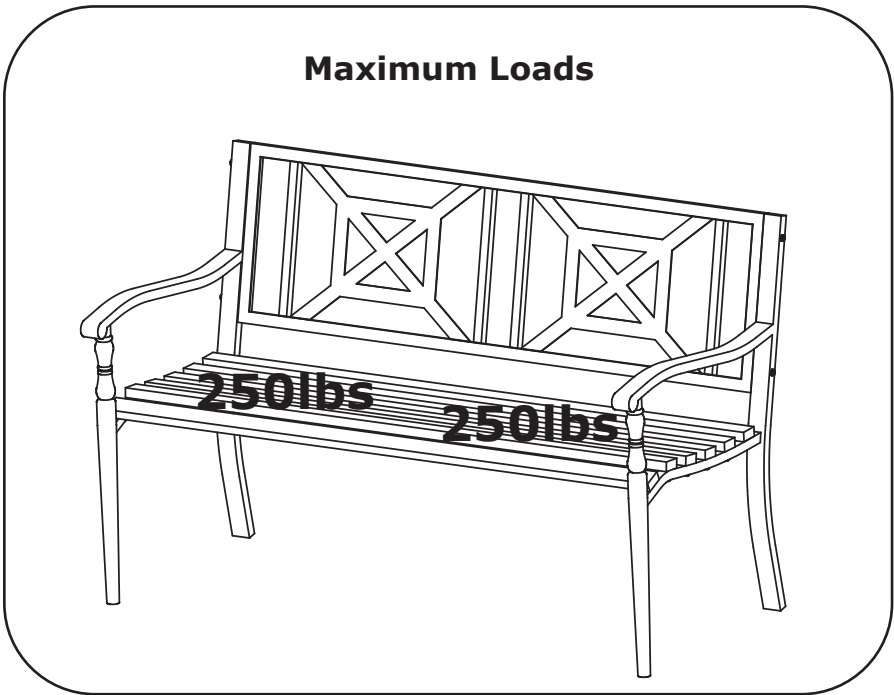


# PRODUCT ASSEMBLY

## STEP 3

Tighten all the bolts with the allen wrench, and turn the bench to the upright position.

Your bench is now ready for use, so relax & enjoy!



 **WARNING!**

This item is only suitable within the specified maximum load-bearing. Heavier loads than the indicated load capacity may cause instability, resulting in possible injuries.

## **Care and Maintenance**

Use a soft, clean cloth that will not scratch the surface when dusting. Use of furniture polish is not necessary.

Should you choose to use polish, test first in an inconspicuous area. Using solvents of any kind on your furniture may damage the finish.

Never use water to clean your furniture as it may cause damage to the finish.

Liquid spills should be removed immediately. Using a soft clean cloth, blot the spill gently. Avoid rubbing.

Check bolts/screws periodically and tighten them if necessary.

## **Further advice about wood furniture care**

It is best to keep your furniture in a climate-controlled environment.

Extreme temperature and humidity changes can cause fading, warping, shrinking and splitting of wood.

It is advised to keep furniture away from direct sunlight as sun may damage the finish.

Proper care and cleaning at home will extend the life of your purchase. Following these important and helpful tips will enhance your furniture as it ages.