

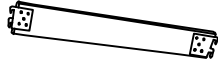
ASSEMBLY INSTRUCTION

KING TUFTING KING UPHOLSTERED FOOTBOARD & SIDE RAILS & REGULAR SLATS

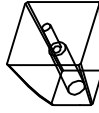
A Footboard **B** Side Rails **C** Wooden Leg **D** Support Leg **E** Wooden Slat



1pc



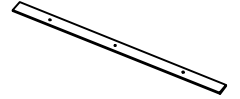
2pcs



2pcs



15pcs



5pcs

F Screw **G** Bolt 1/4" x 75mm **H** Bolt 1/4" x 50mm **I** Flat Washer **J** Lock Washer



20pcs



2pcs



15pcs



17pcs

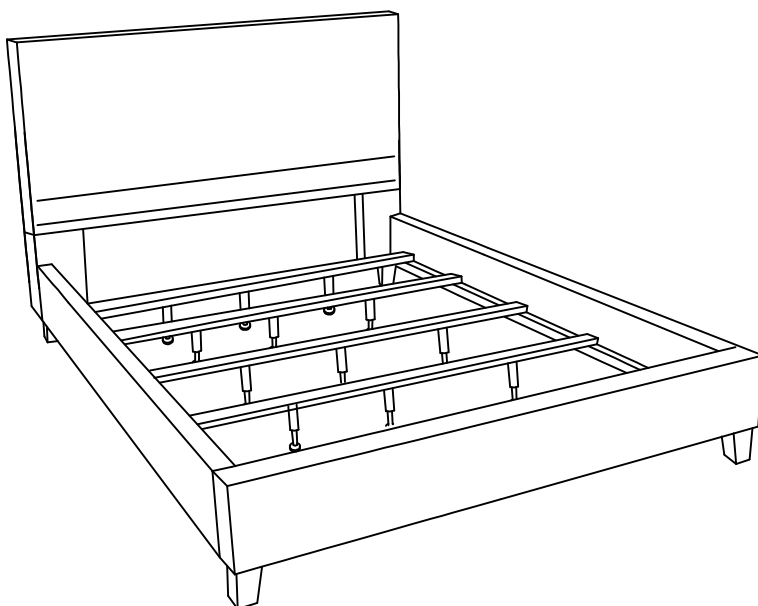


17pcs

K Allen Wrench

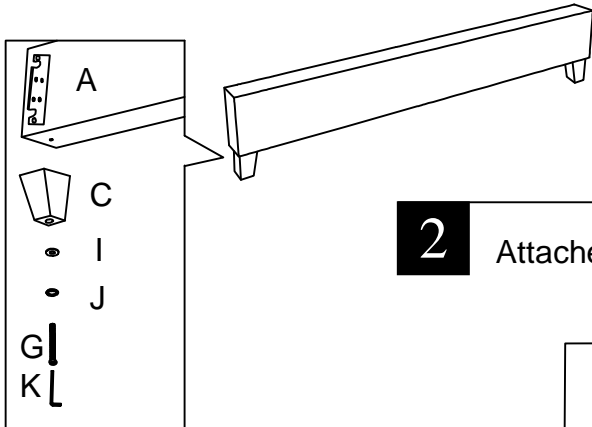


1pc

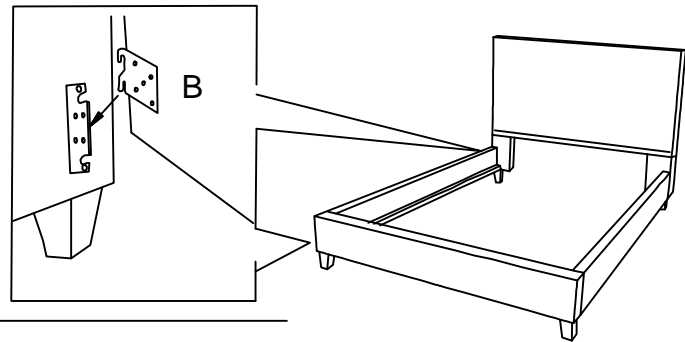


This page lists all the contents included in the box. Please take the time to identify the hardware as well as the individual components to this product. As you unpack and prepare for assembly, place the contents on a carpeted or padded area to protect them from damage.

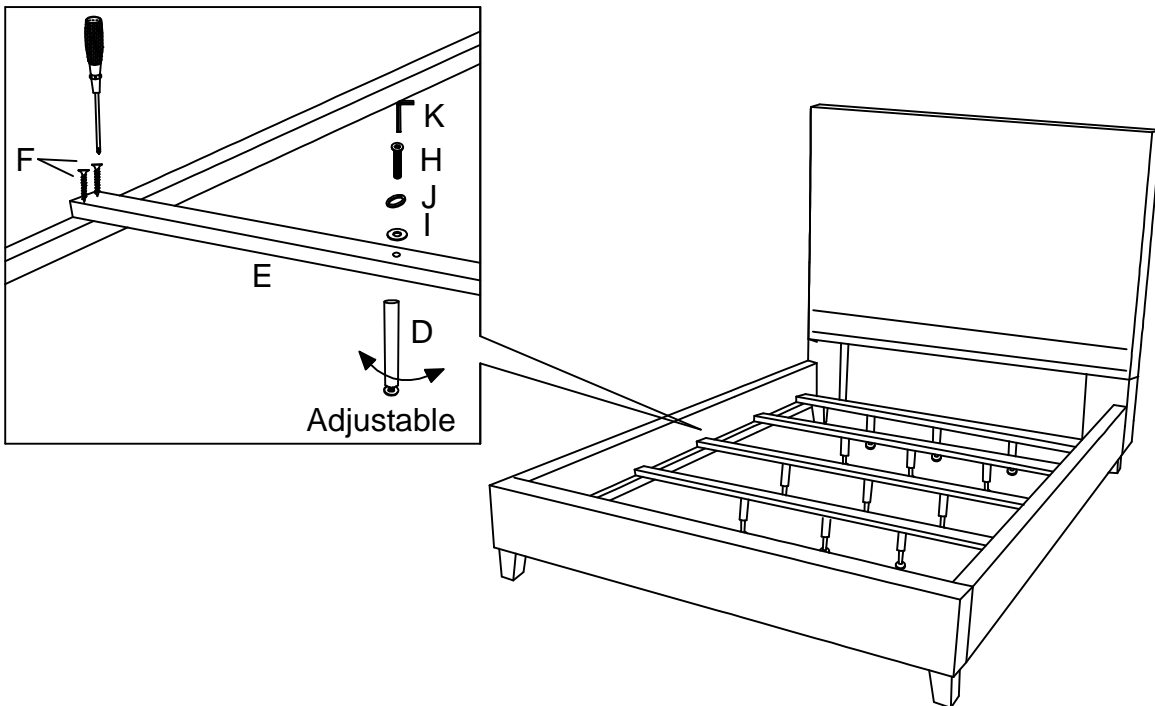
- 1** Attached Wooden Leg(C) to the Footboard(A) use Bolt(G), Lock Washer(J) and Flat Washer(I) on both of holes. Turn the Allen Wrench(K) in Bolt(G).



- 2** Attached Side Rail(B) to the Headboard and Footboard(A).



- 3** Assembly Support Leg (D) to Wooden Slats(E) use Bolt(H), Lock Washer(J) and Flat Washer(I) by Allen Wrench(K). Assembly Wooden Slats(E) to Side Rail(B) use Screw (F) as showing.



Cleaning & Care

Treat surface with care. Surface is resistant to scratches but is not scratch resistant. Clean surfaces with a dry or damp soft cloth. Do not use abrasive cleaners. Hardware may loosen over time. Periodically check that all connections are tight.