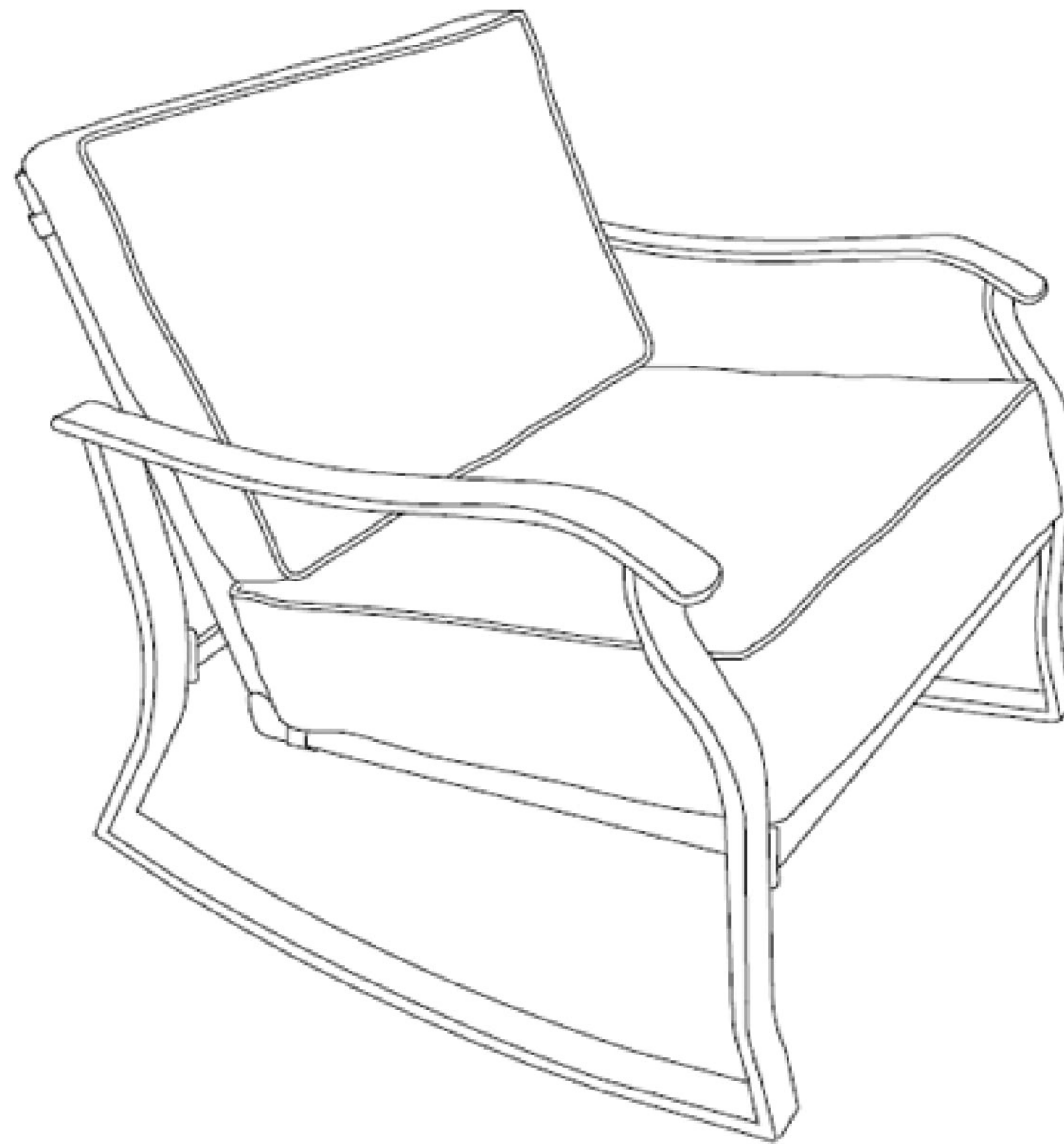
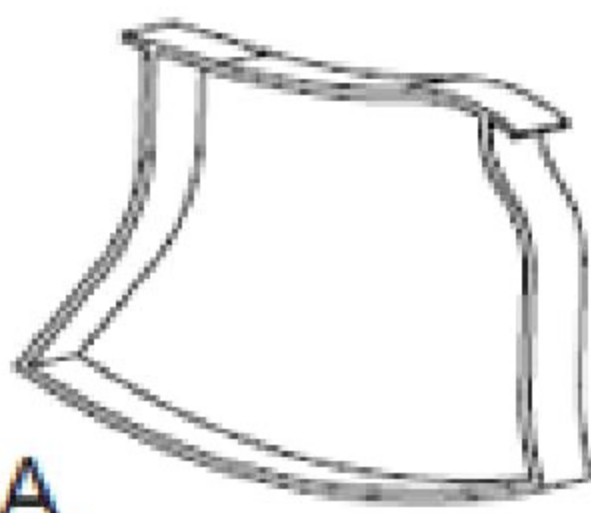
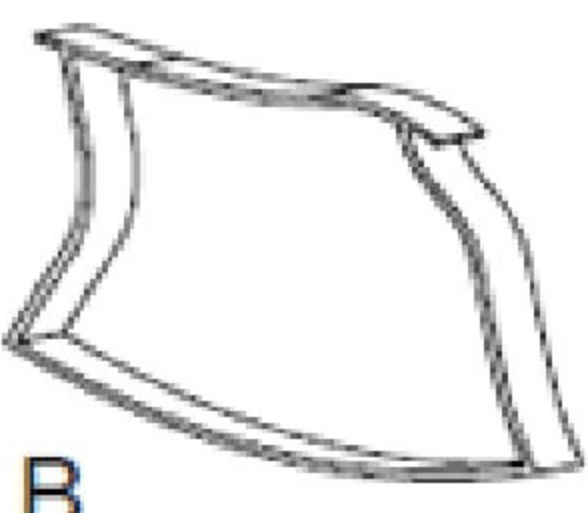
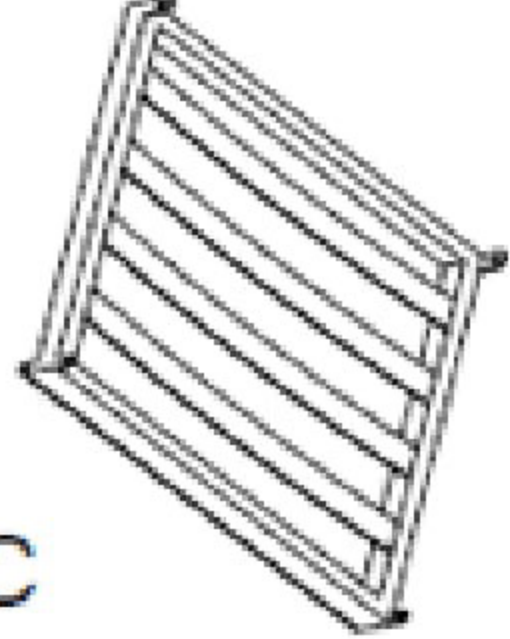
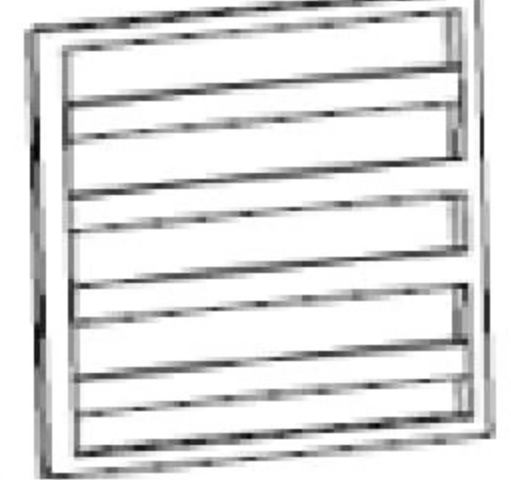



# ASSEMBLY MANUAL - Patio chair





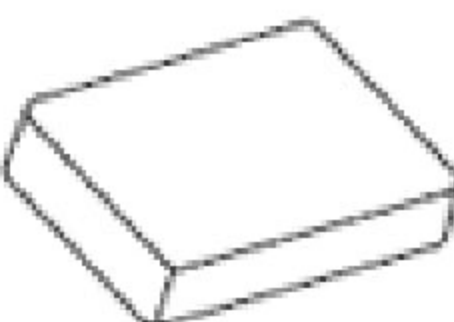



INSTRUCTIONS AND PART LIST FOR ONE ROCKER ONLY.  
PLEASE REPEAT FOR SECOND ROCKER.

## PANEL AND FITTINGS IDENTIFICATION

Right Arm 1pc	Left Arm 1pc	Seat Panel 1pc	Back Panel 1pc	Cross Bar 1pc
 A	 B	 C	 D	 E

## HARDWARE LIST

Bolt 10pcs	Bolt 2pcs	Washer 12pcs	Allen Wrench 1pc	Back Cushion 1pc	Seat Cushion 1pc
 F M6*20	 G M6*40	 H	 I	 J	 K

## PRE-ASSEMBLY PREPARATION

Please read through these instructions before beginning assembly

- Clear out the space for assembly and lay out all parts base on Parts List. Extra room will allow you to easily determine if all the pieces are present.
- Save all packing materials until assembly is complete to avoid accidentally discarding smaller parts or hardware.
- Keep small parts and pieces away from children until fully assembled.
- Do not fully tighten the screws until all have been inserted and hand tightened.
- Check for any loose screws and tighten them before use.
- Do not stand or jump on the chair or table as it may cause injury.
- Weight limit of rocking chair: 250 lbs