

# Assembly Instructions

**CAUTION:** You must read this Assembly Instructions before you proceed.

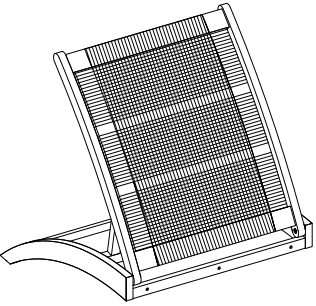
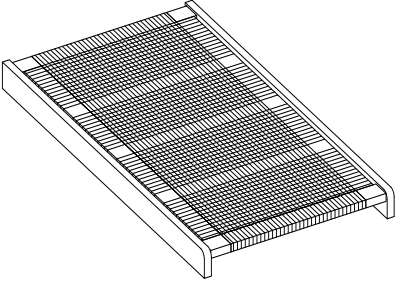
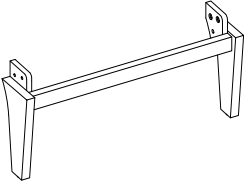

Please look under the Seat Panel for hardware pack.

## **SUN LOUNGER**

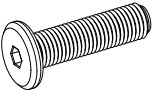
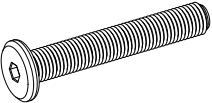
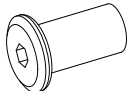
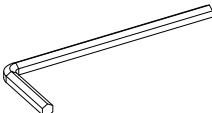


**CAUTION :** This Sun Lounger is NOT a TOY.  
Keep your child / children at bay in the process of assembly.  
For turning the Sun Lounger and to prevent damage to the Sun Lounger,  
02 persons may be needed to execute this action.

# Parts List

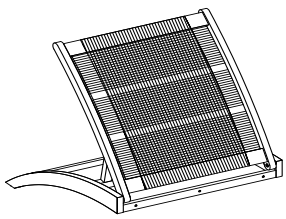
Label	Picture	Description	QTY
A		Backrest Panel	1
B		Seat Panel	1
C		Leg Panel	1
D		Support Leg	2

# Hardware

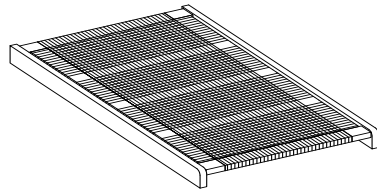
Label	Picture	Description	QTY
①		Short Bolt (M8x30x15mm)	6
②		Long Bolt (M8x50x15mm)	3
③		Sleeve Nuts (M8x18x15mm)	4
④		Allen Wrench (K4)	2

# Assembly Preparation

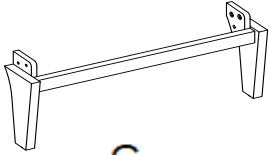
Before Beginning Assembly:



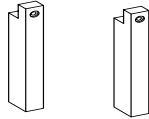
A



B



C



D

①		x6
②		x3
③		x4
④		x2



- Read instructions, cover to cover-



- Have 2 adults on hand for assembly-



- Do not assemble on flooring or carpet-



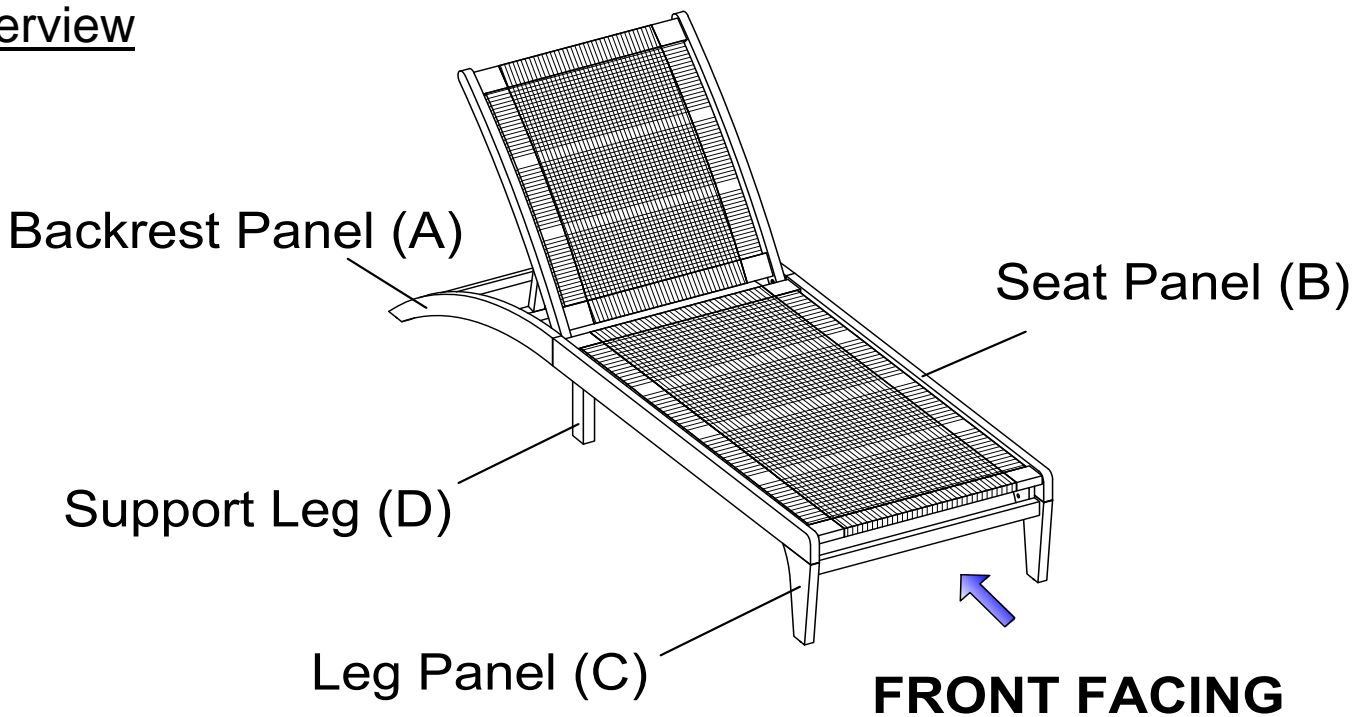
- Assemble on a clean non-marring surface (packing foam)-



- Save all packaging until finished-

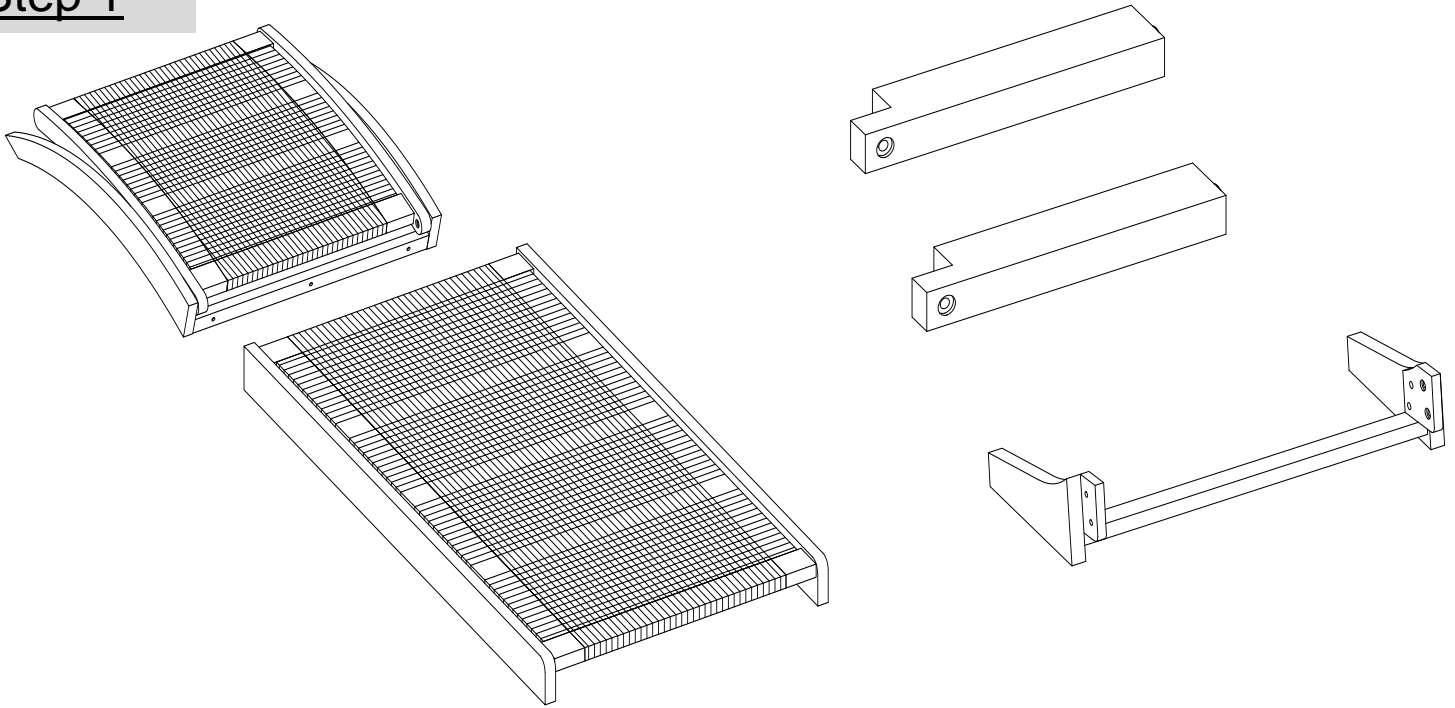
# Assembly steps

## Overview



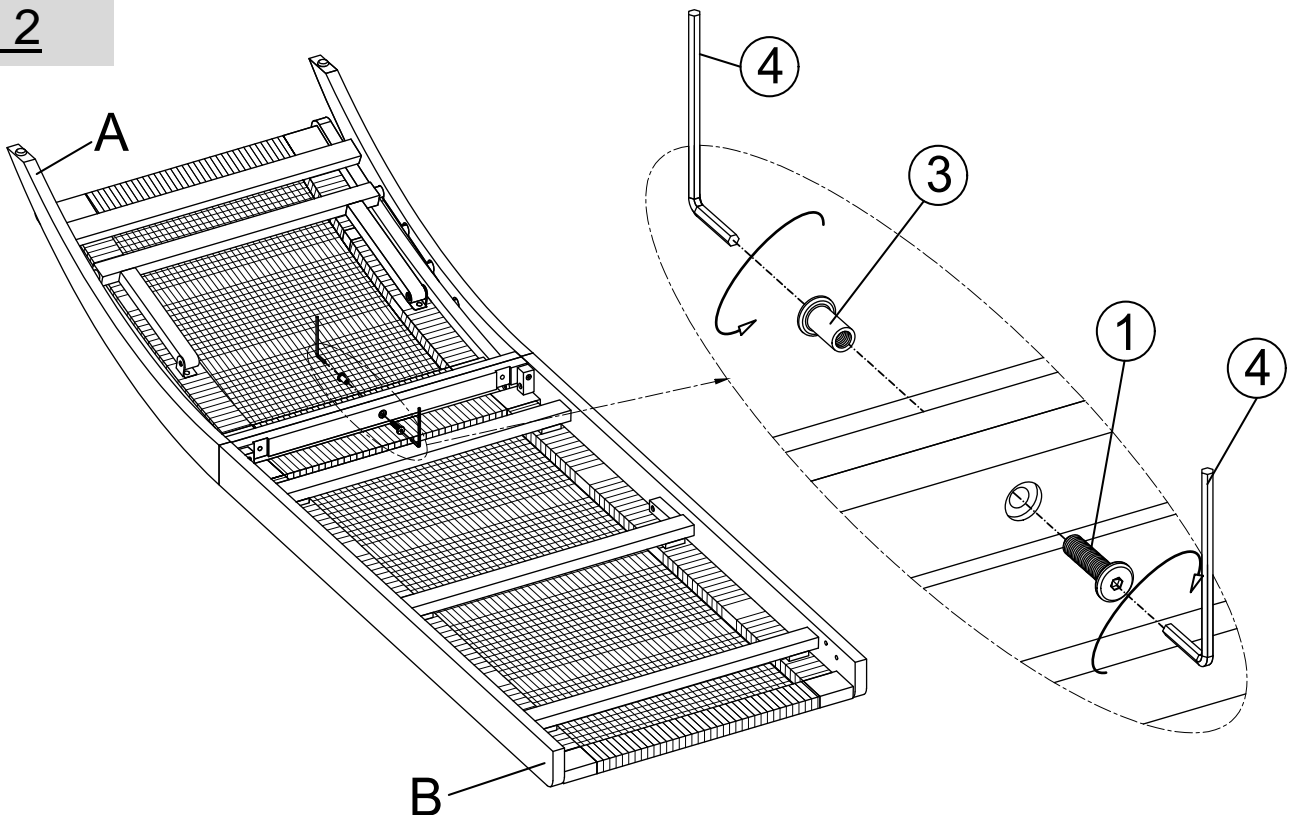
This Sun Lounger has multiple parts and may require up to 30 minutes to assemble. To give you an overview of the Sun Lounger parts, the above picture is to help you put the various parts into perspective. Please read through the instructions below to familiarise yourself with the parts and steps before assembly.

## Step 1



Unpack and place all parts on a clean, non-marring surface.

## Step 2

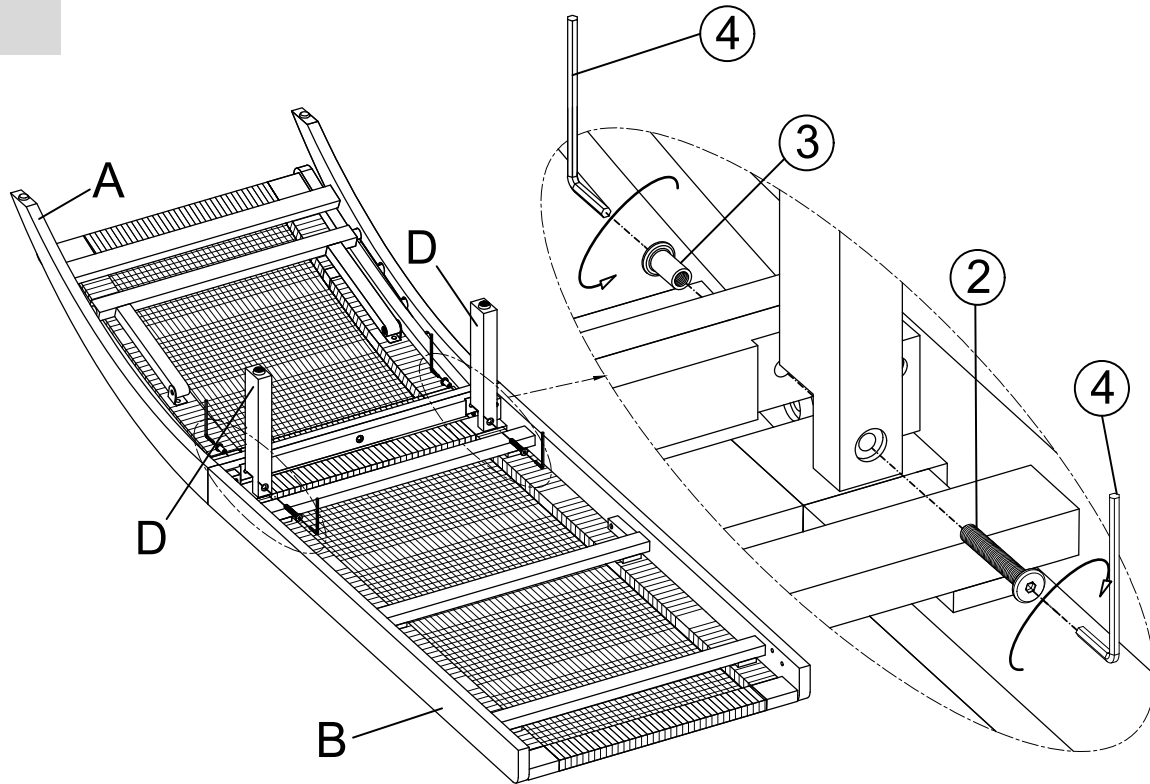


Place the Backrest Panel (A) and Seat Panel (B) facedown on a clean, non-marring surface as shown above.

With assistance from your adult partner, attach the Backrest Panel (A) to the Seat Panel (B) using 2 (two) Allen Wrenches (④) to turn the Bolt (①) into the Sleeve Nut (③) as shown in the picture above.

**DO NOT fully tighten the Bolt at this time.**

### Step 3

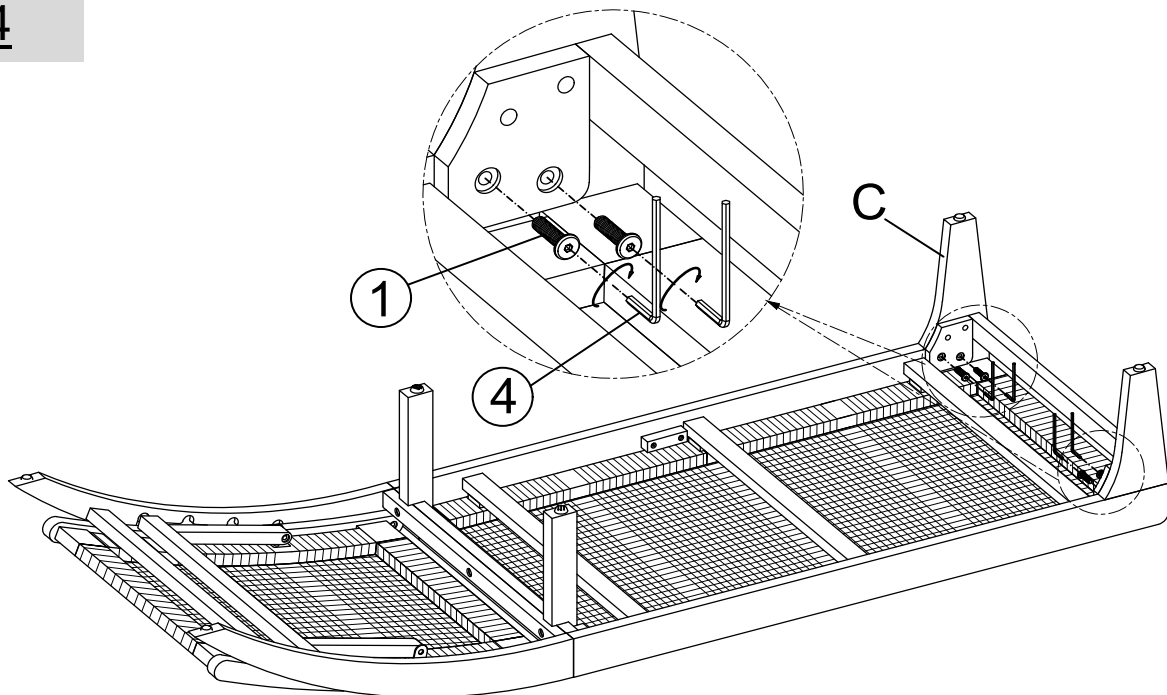


Attach the Support Leg (D) to the assembled parts in step 2 using 2 (two) Allen Wrenches (④) to turn Bolt (②) into the Sleeve Nut (③) as shown in the picture above.

Repeat the same process with the remaining Support Leg (D).

**DO NOT fully tighten the Bolts at this time.**

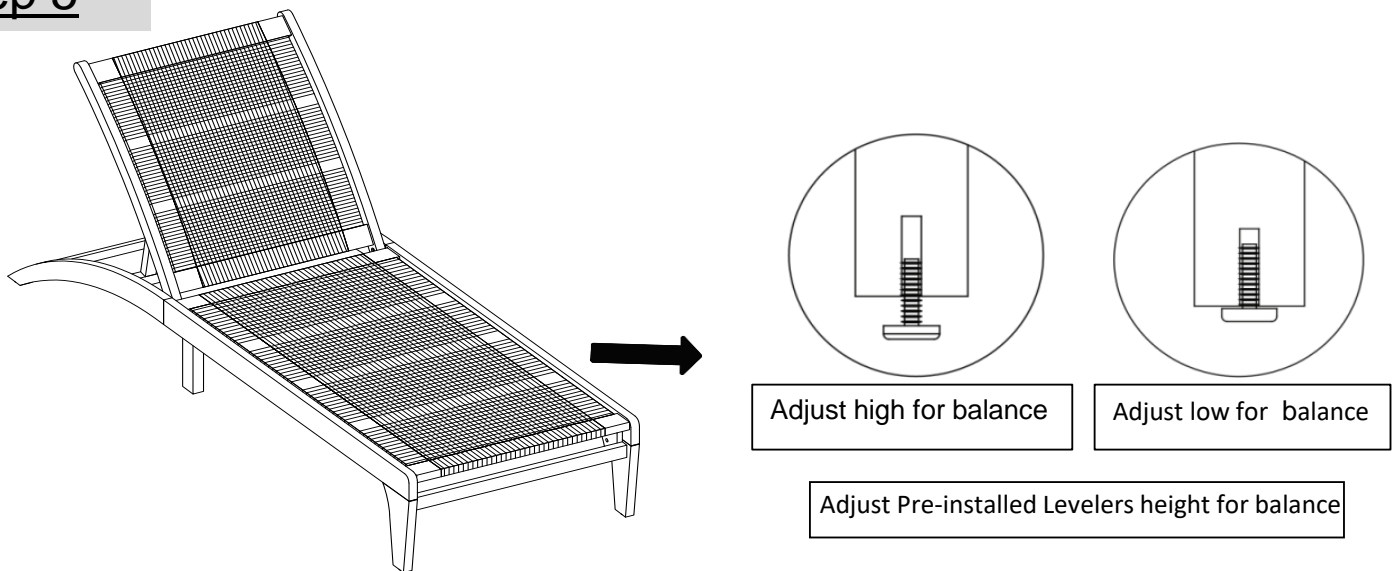
### Step 4



With assistance from your adult partner, attach the Leg Panel (C) to the assembled part from step 3 using Bolts (①) and the Allen Wrench (④) as show in picture above.

**DO NOT fully tighten the Bolts at this time.**

## Step 5



Turn the Sun Lounger right side up.

Inspect the Sun Lounger to ensure all parts are adequately connected.

EXERT pressure, floorwards onto the Sun Lounger with both hands.

This pressure will help the Sun Lounger reach full alignment at all joints.

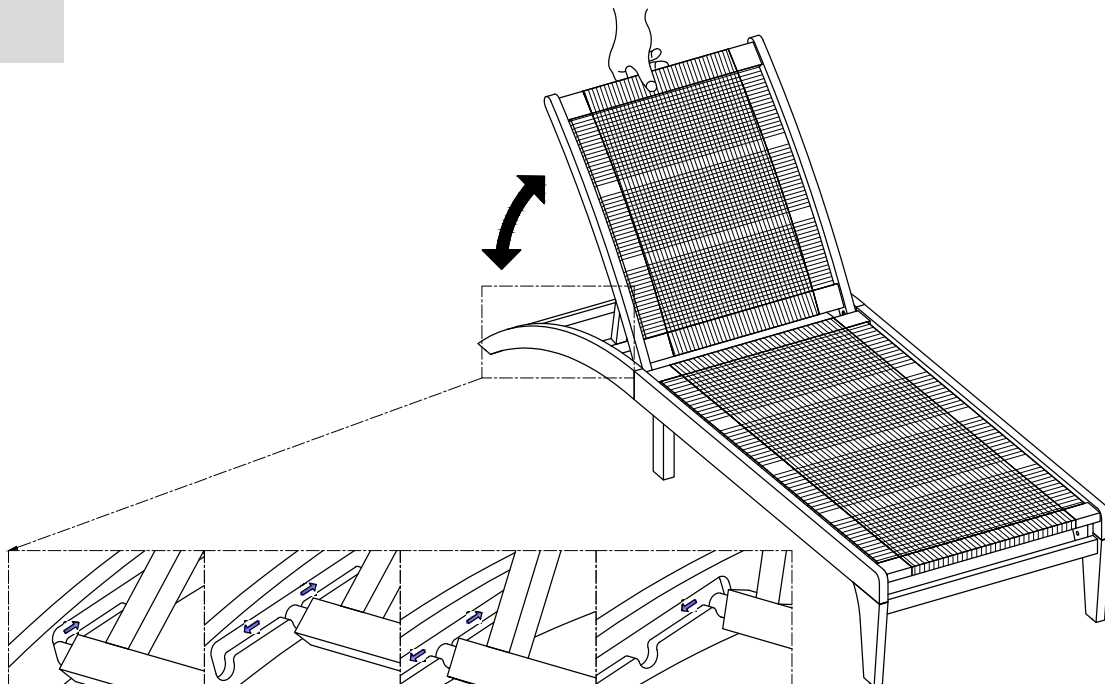
In a sequential manner, tighten ALL Bolts at ALL joints.

**CAUTION : When tightening these bolts, tighten sequentially.**

**DO NOT tighten any bolt fully and then move towards the next one. This could cause the frame to warp.**

**WARNING!! IF THE Sun Lounger IS NOT STABLE , IT COULD LEAD TO DAMAGE OF THE PRODUCT.**







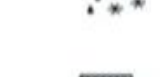



## Step 6



**Caution: Use caution when folding the Backrest to avoid any fingers from being pinched at the folding point.**

**Note: Align the Backrest of the Sun lounge to your desired position.**

## Care & Maintenance

-  ● Do not put hot items directly on furniture surface
  -  ● Do not clean furniture with harsh cleansers or polish.
  -  ● To obtain the longest lifespan of your outdoor products, minimizing exposure to direct sunlight is recommended.
  -  ● Children should not climb or jump on the furniture.
  -  ● Do not write on furniture without a padded barrier to protect the surface.
  -  ● To obtain the longest lifespan of your outdoor products, avoid extended and lengthy exposure to rain, snow, and direct sunshine. Whenever possible cover the product and /or place under patio or awnings.
  -  ● Not for commercial use. For residential use only .
  -  ● Stains may be removed with mild soap solution and damp cloth.
  -  ● Keep away from sources of ignition.
- 
-  ● Dust and pick-up spills using a clean, non-colored, lint-free cloth.