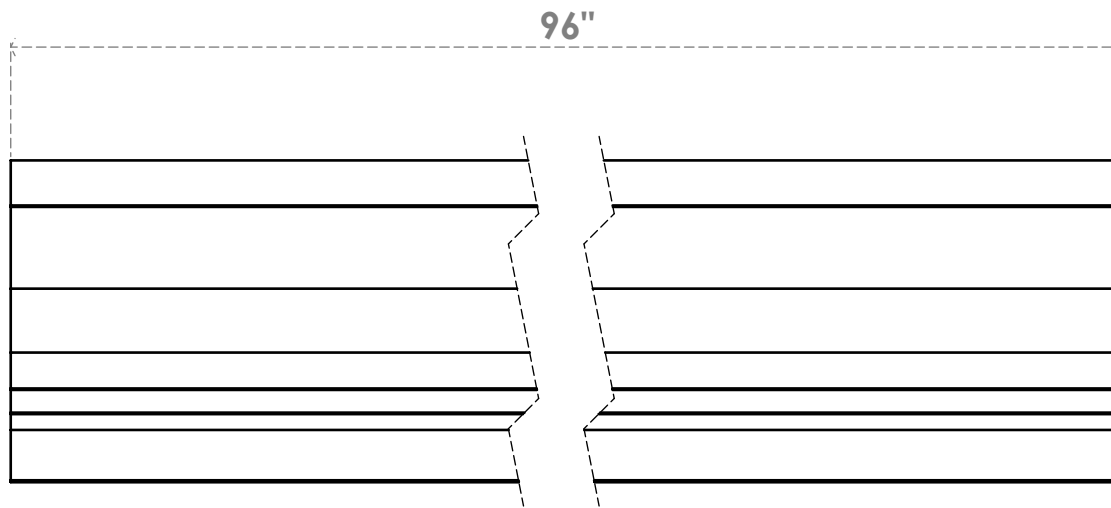
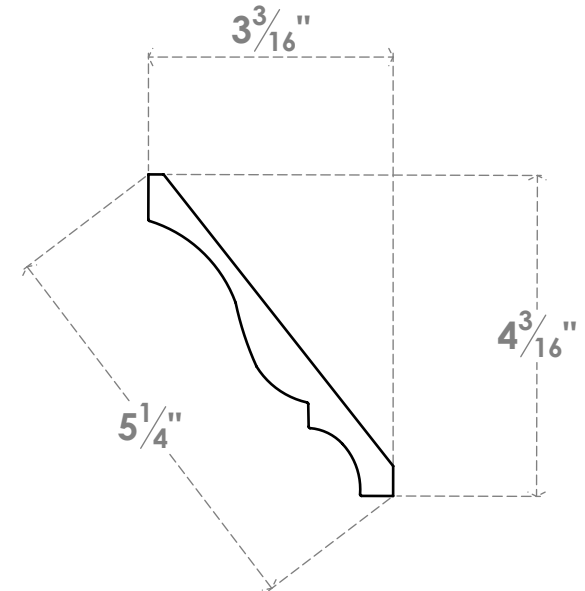


# ITEM NUMBER: WM45X96SWPV

WM45 - 4 3/16"H X 3 3/16"P X 5 1/4"F X 96"L CROWN MOULDING, PVC



FRONT PROFILE



SIDE PROFILE

SPRING ANGLE / MITER ANGLE : 38°  
COMPOUND SAW ANGLE : 31.6°  
COMPOUND SAW TILT : 33.9°



EKENA MILLWORK  
2300 WEST MAIN ST.  
CLARKSVILLE, TX 75426  
TOLL FREE: 866-607-0453  
WWW.EKENAMILLWORK.COM

#### NOTES

1. INSTALLATION TO BE COMPLETED IN ACCORDANCE WITH MANUFACTURER'S SPECIFICATIONS.
2. DRAWING MAY NOT BE TO SCALE
3. THIS DRAWING IS INTENDED FOR DESIGN AND PLANNING PURPOSES ONLY.
4. ALL INFORMATION CONTAINED HEREIN WAS CURRENT AT THE TIME OF DEVELOPMENT BUT MUST BE REVIEWED AND APPROVED BY THE PRODUCT MANUFACTURER TO BE CONSIDERED ACCURATE.