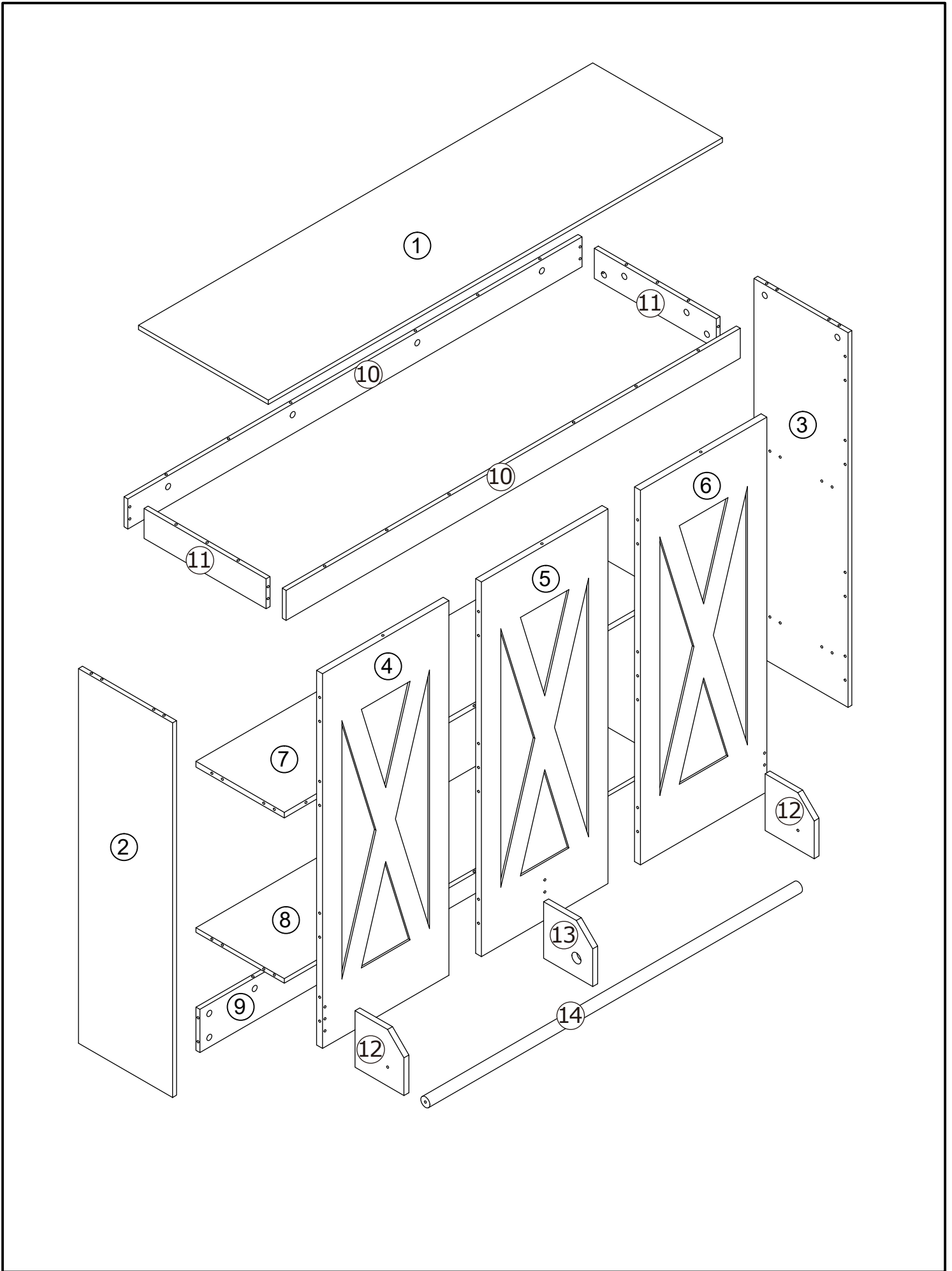
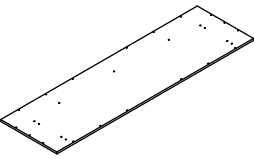
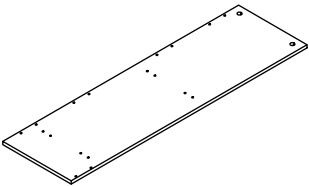
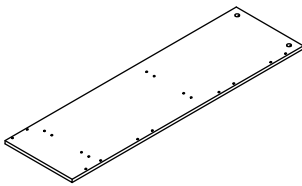
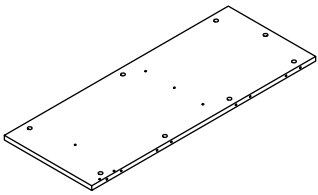
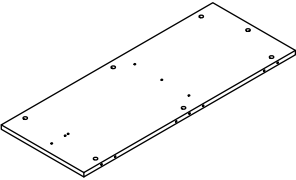
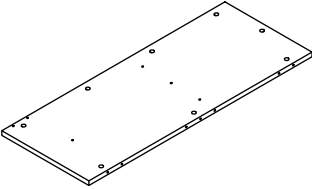
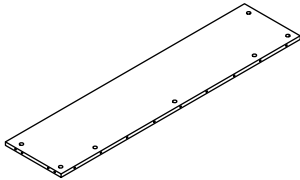
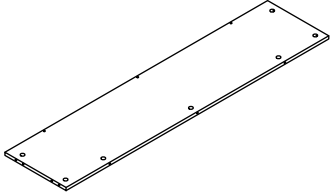
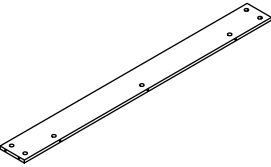
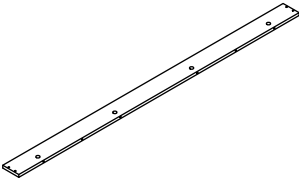
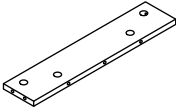
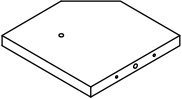
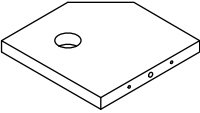
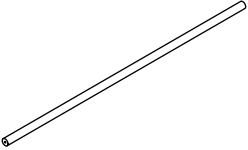


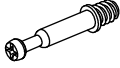

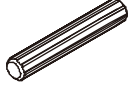
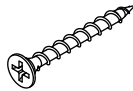

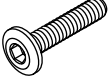
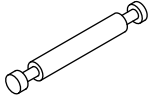
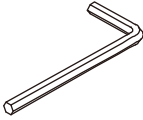
Installation instruction



Parts and Operation Elements

			
① 1pc	② 1pc	③ 1pc	④ 1pc
			
⑤ 1pc	⑥ 1pc	⑦ 1pcs	⑧ 1pc
			
⑨ 1pc	⑩ 2pc	⑪ 2pc	⑫ 2pc
			
⑬ 1pc	⑭ 1pc		

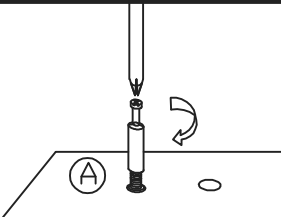
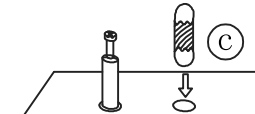
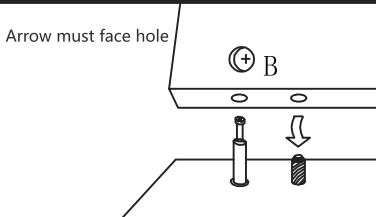
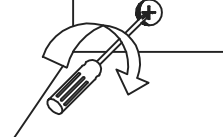
Hardware

 Cam bolt		 Cam Lock		 6x40mm Wood dowel		 4x35mm screw		 6x30mm Wood dowel	
A	52pcs	B	64pcs	C	8pcs	D	6pcs	E	39pcs
 M 6x30mm									
G	2pcs	H	6pcs	J	1pcs				

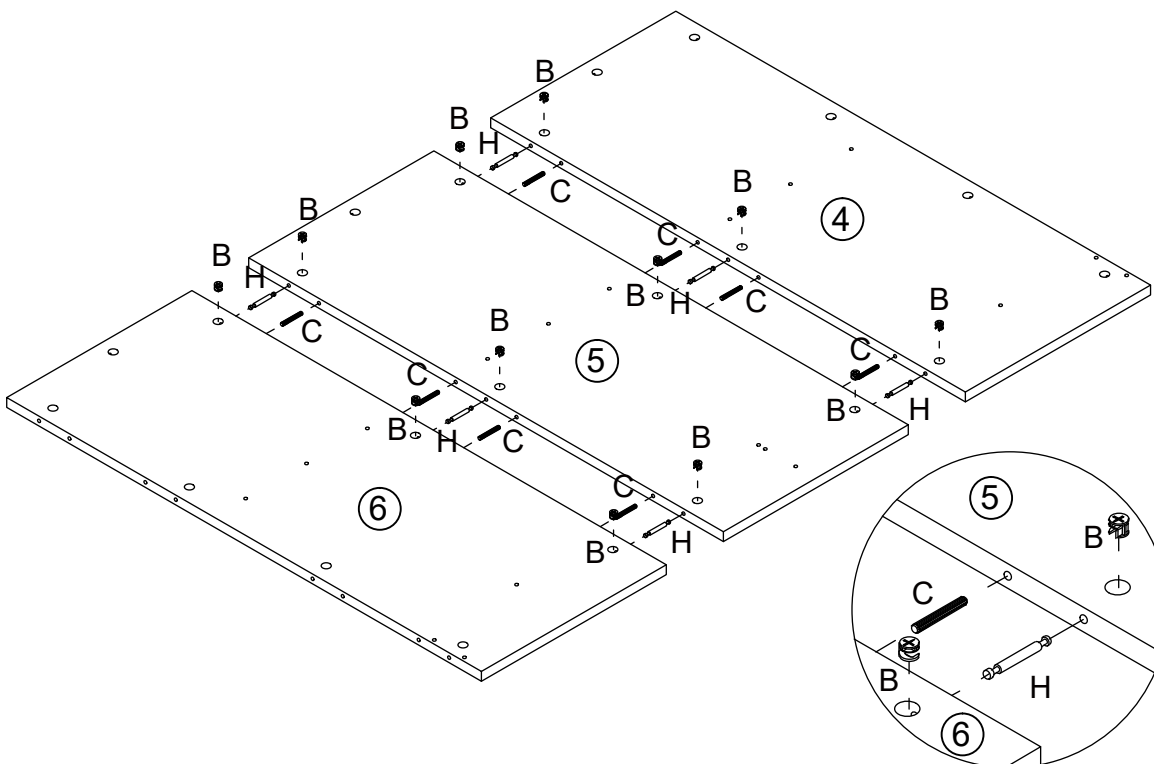
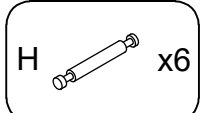


SPARE BAG

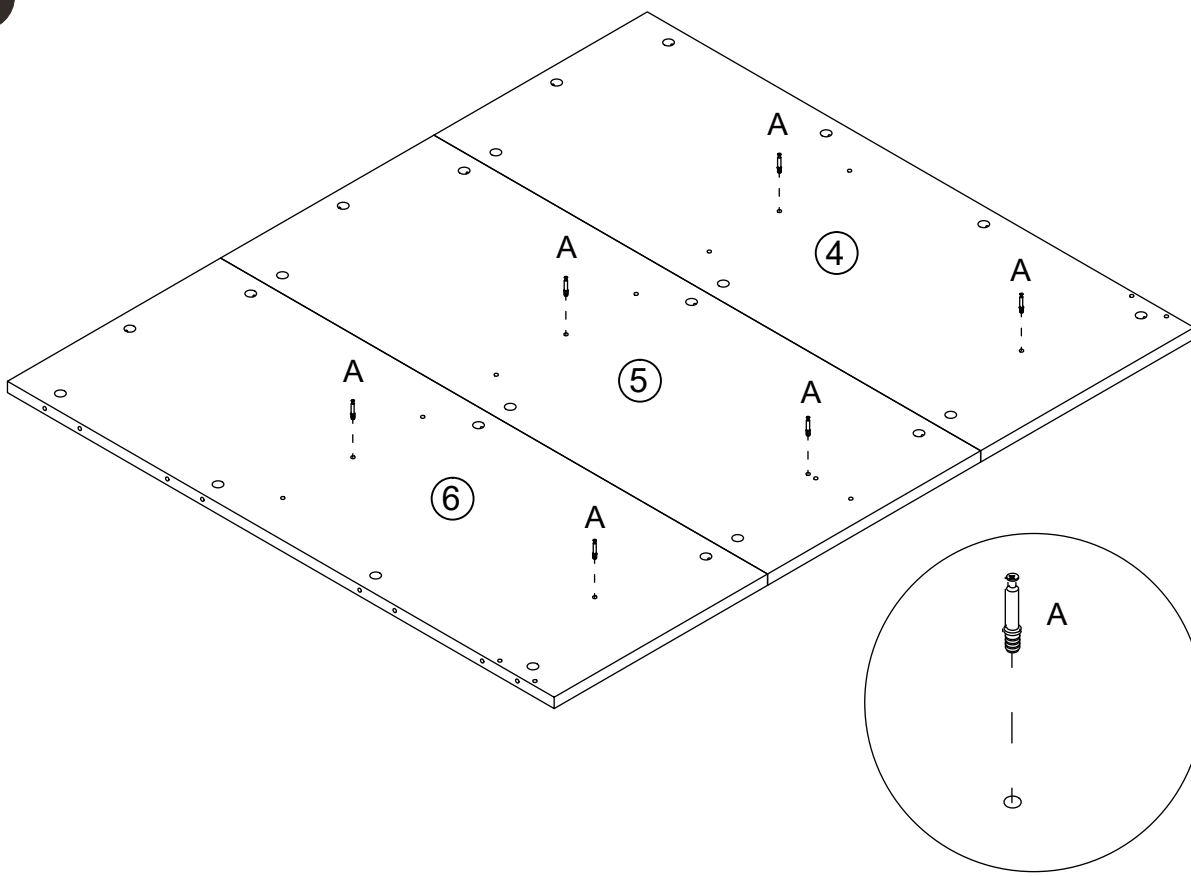
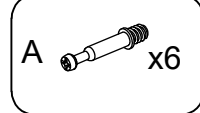
THE SPARE BAG INCLUDED EXTRA HARDWARE FOR DAMAGED OR MISSING SMALL HARDWARE WHILE YOU ARE ASSEMBLING

			
Gently screw cam bolt into the threaded anchor.	Insert the wood dowel halfway into hole.	Arrow must face hole	Screw the camlock firmly into locked position.

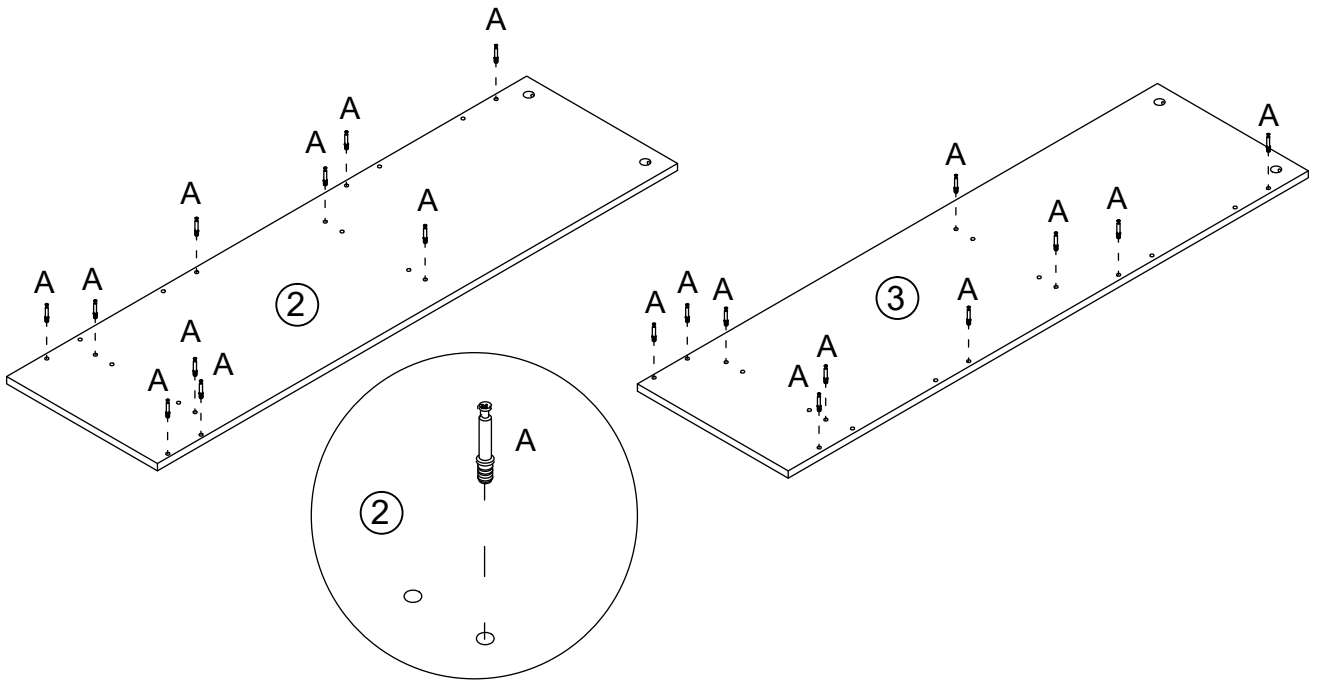
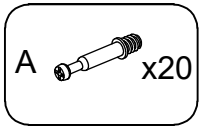
1



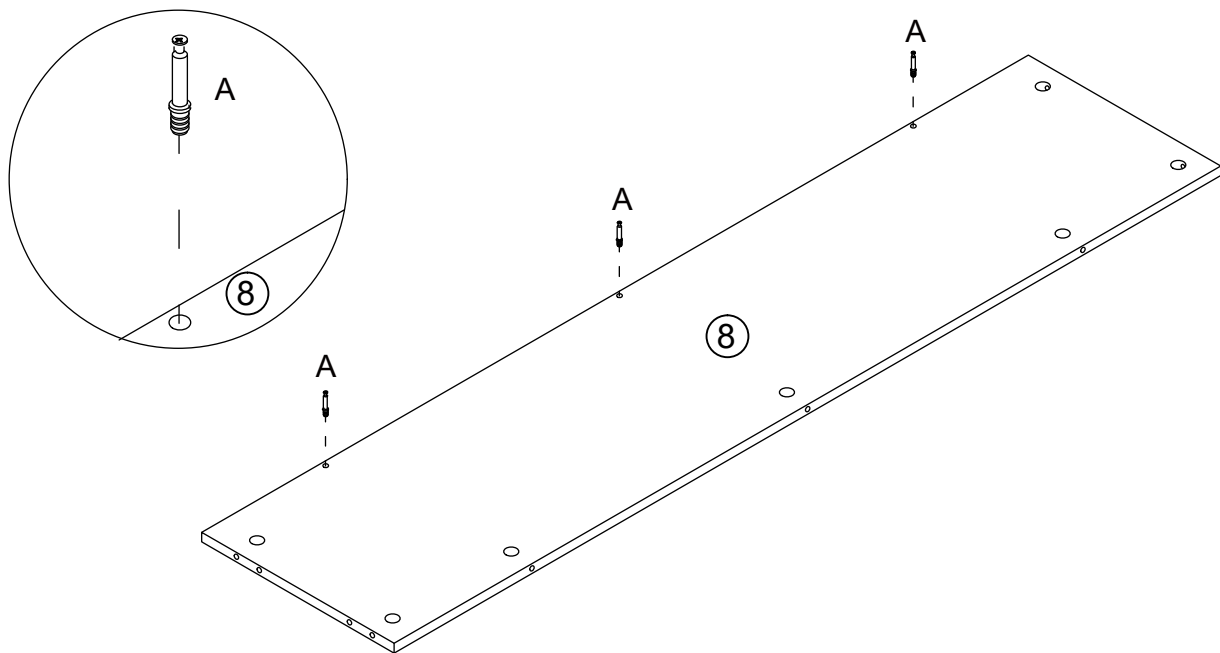
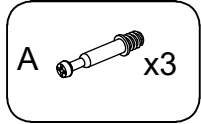
2



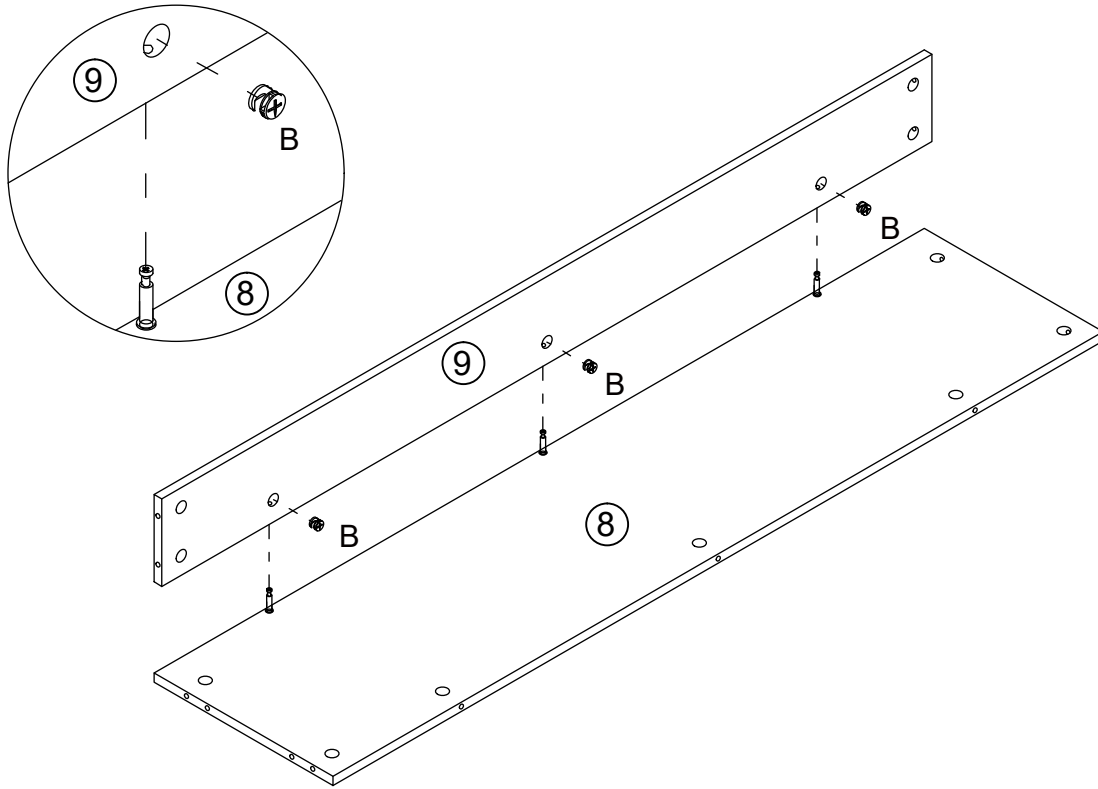
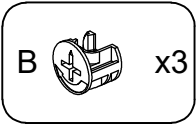
3



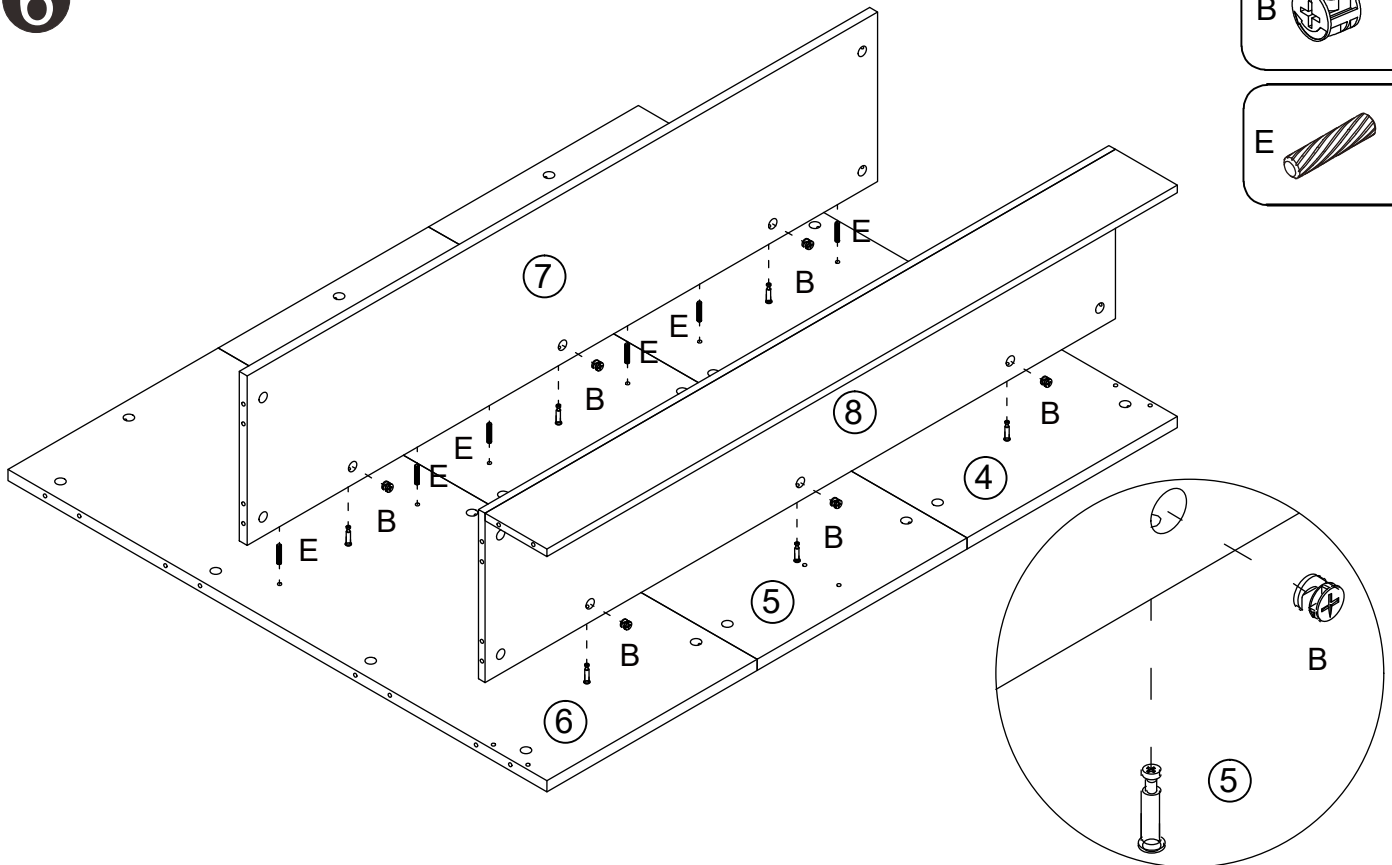
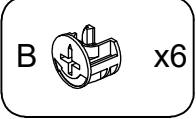
4



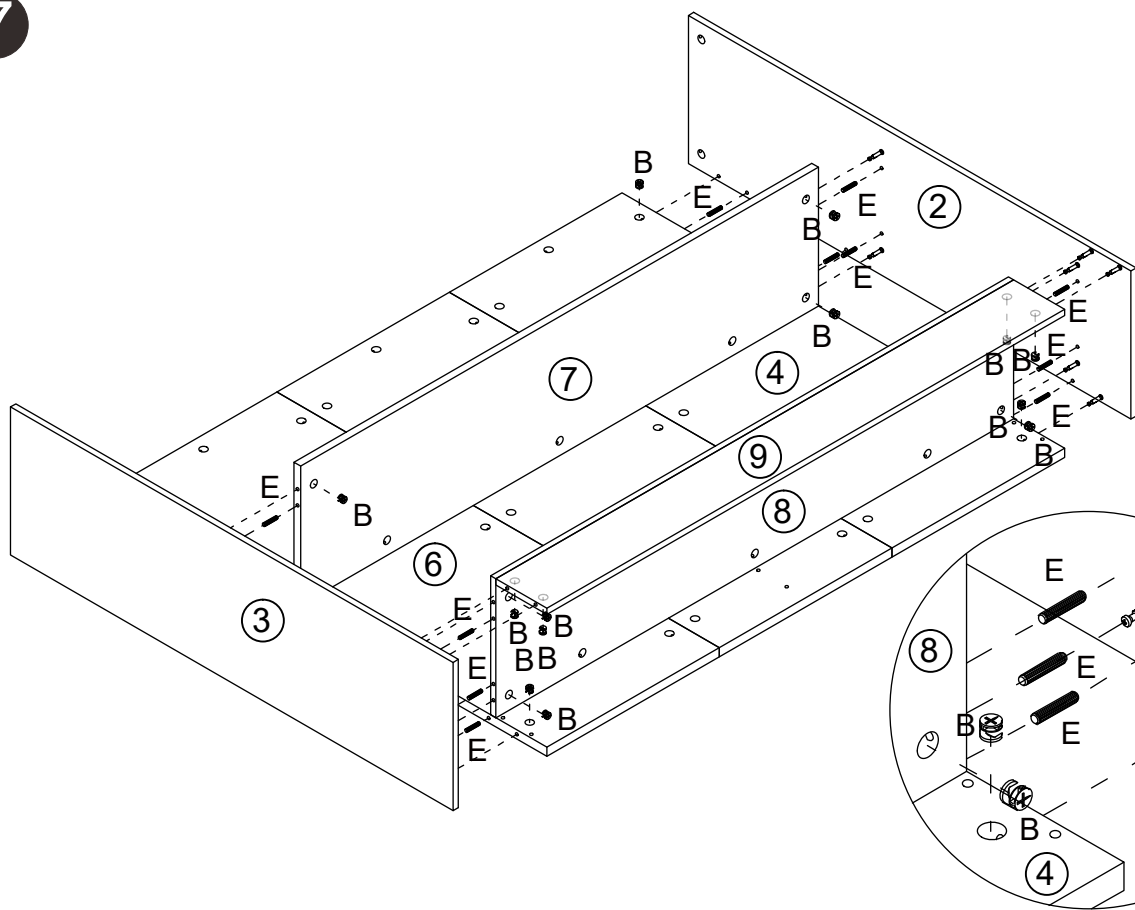
5

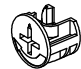



6

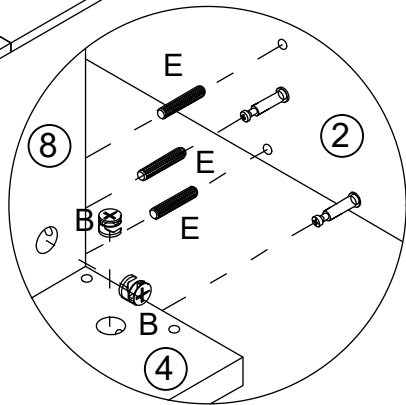


7

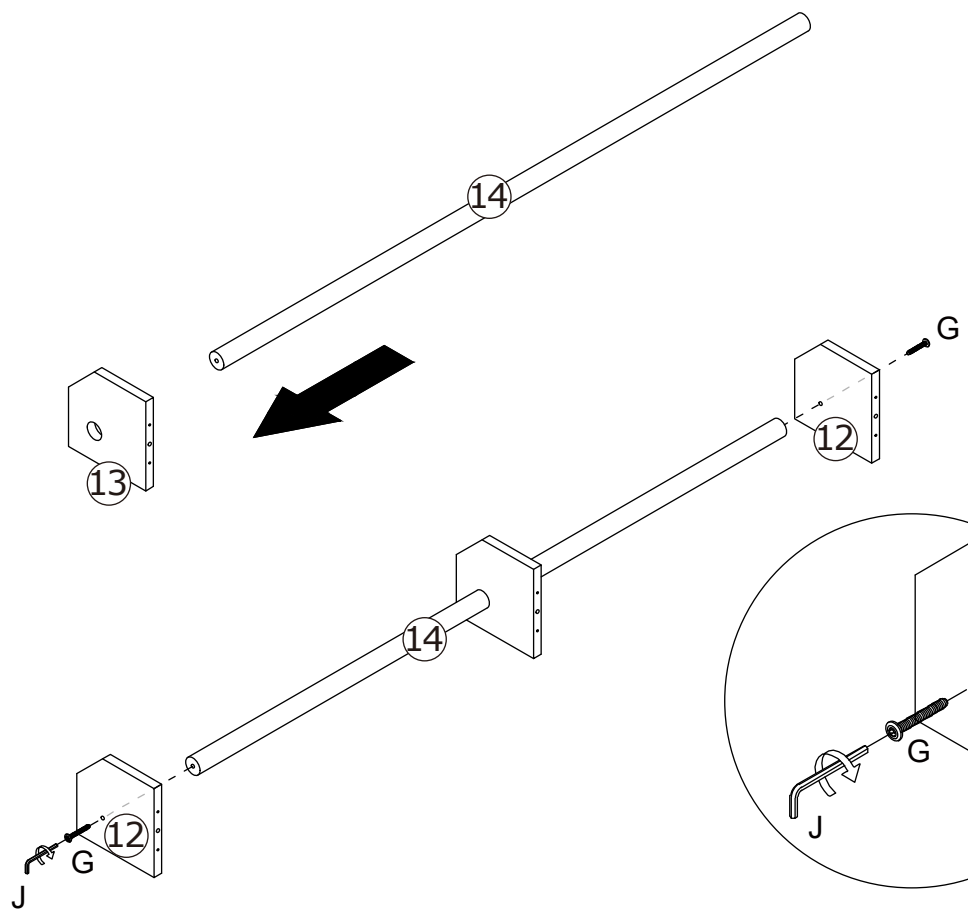



B  x20

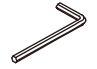
E  x16

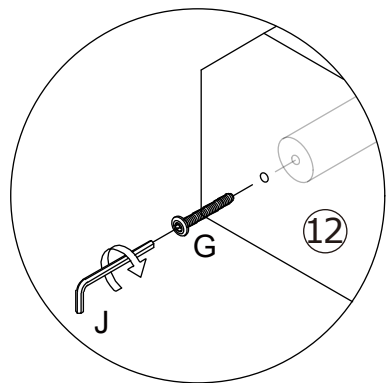


8



G  x2

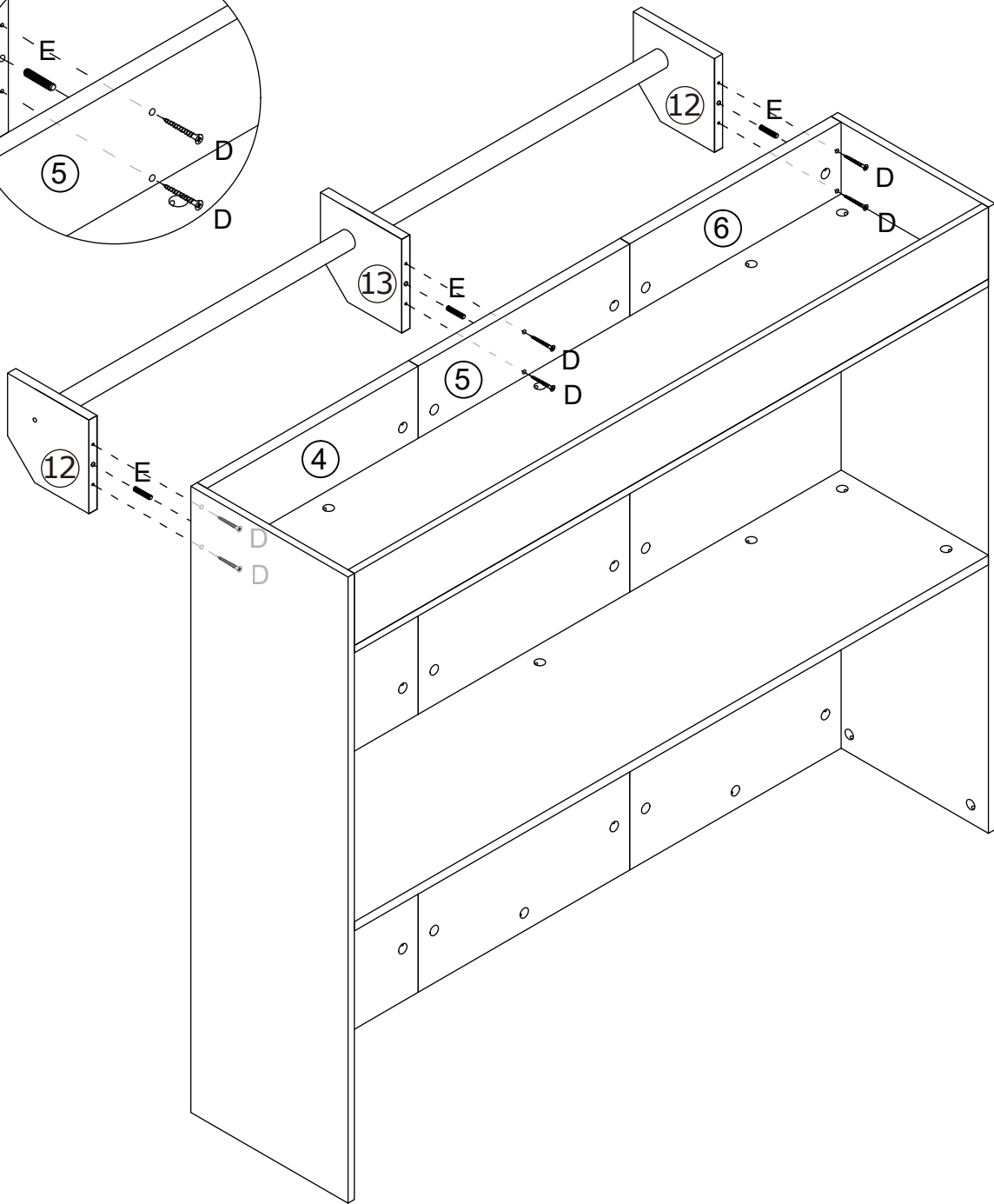
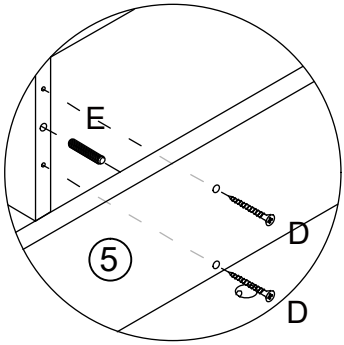
J  x1



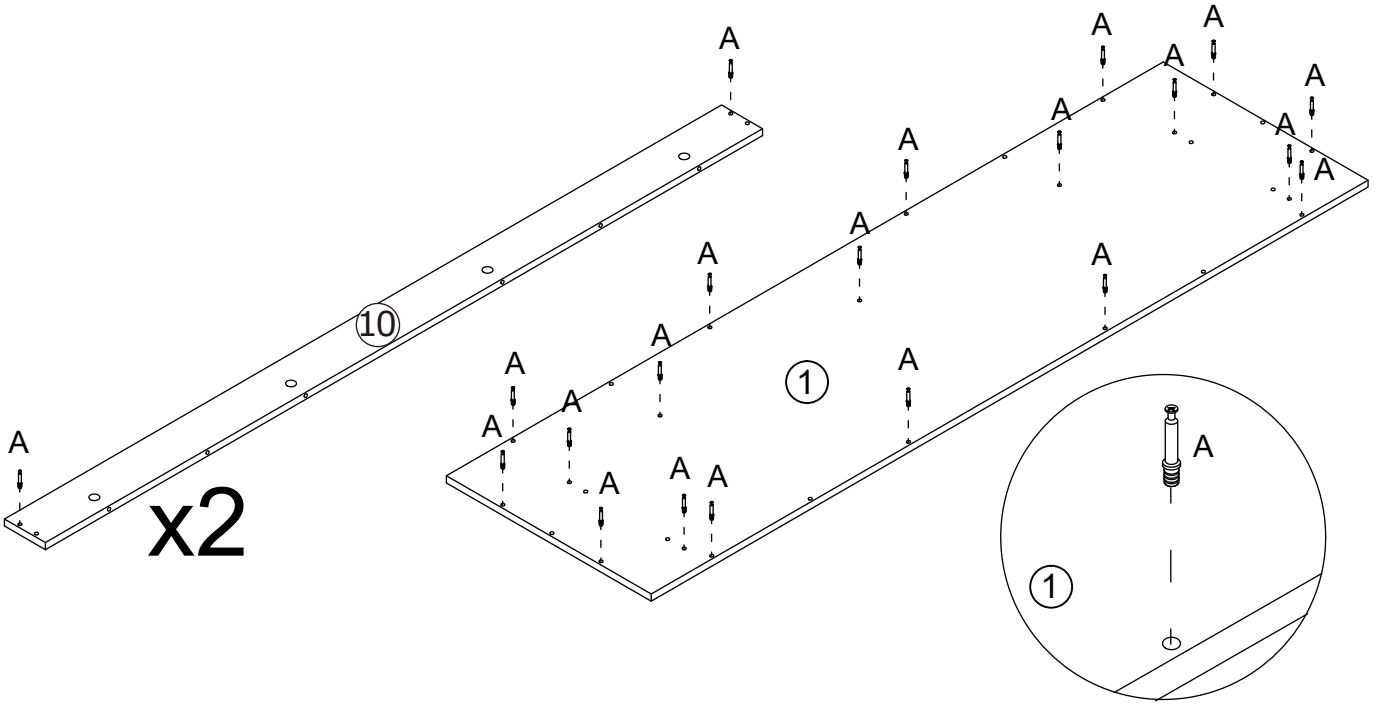
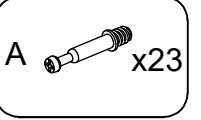
9

D  x6

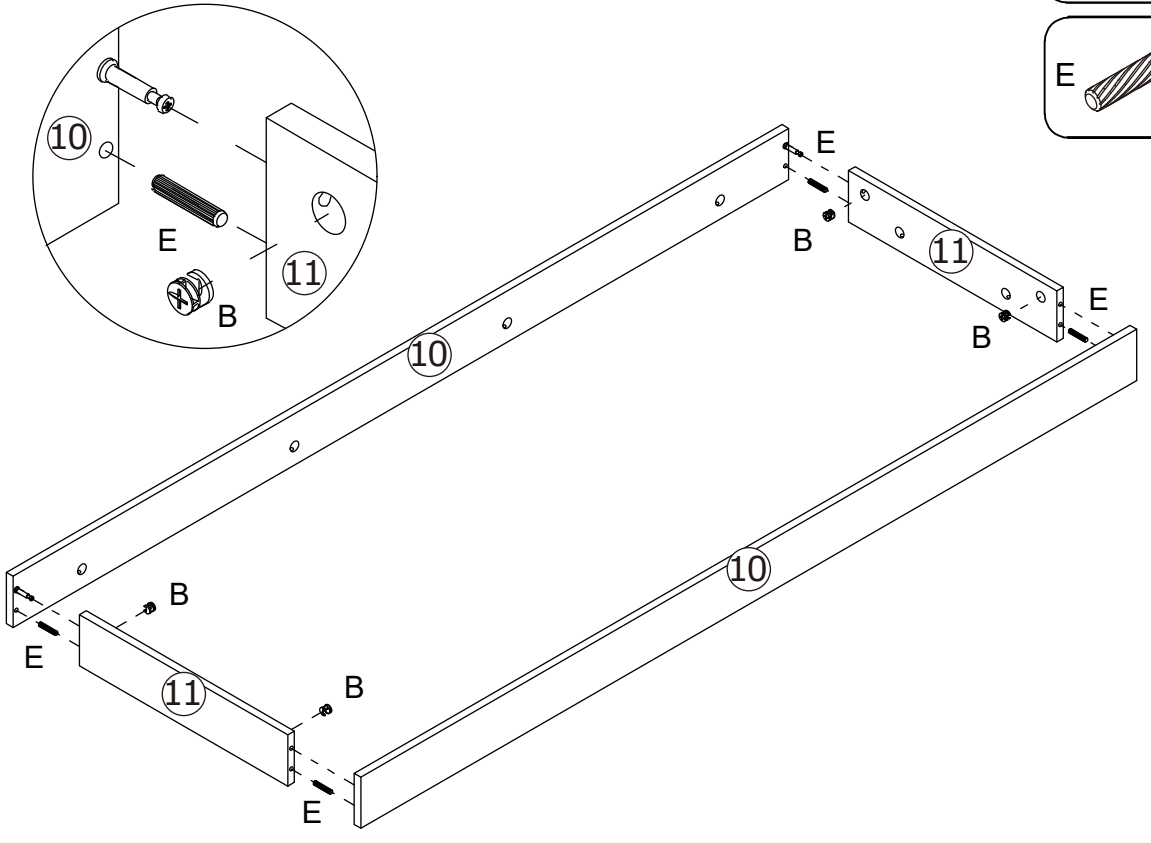
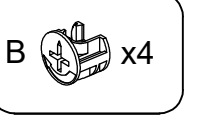
E  x3



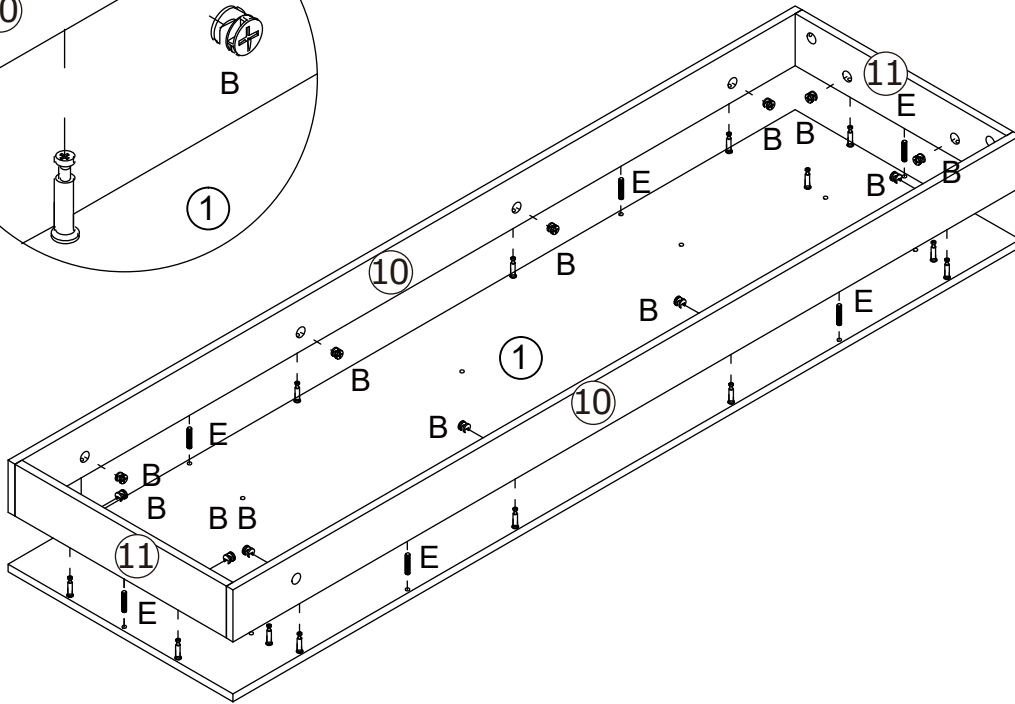
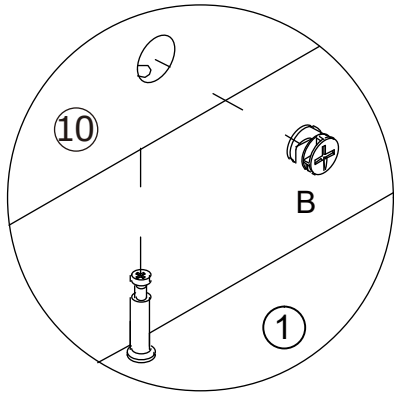
10




11



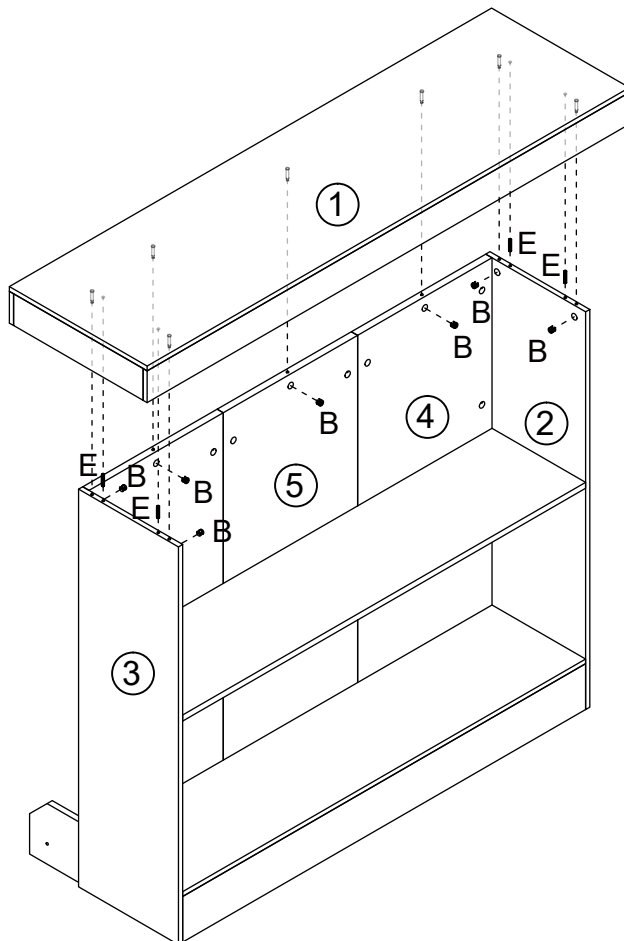
12



B  x12

E  x6

13



B  x7

E  x4