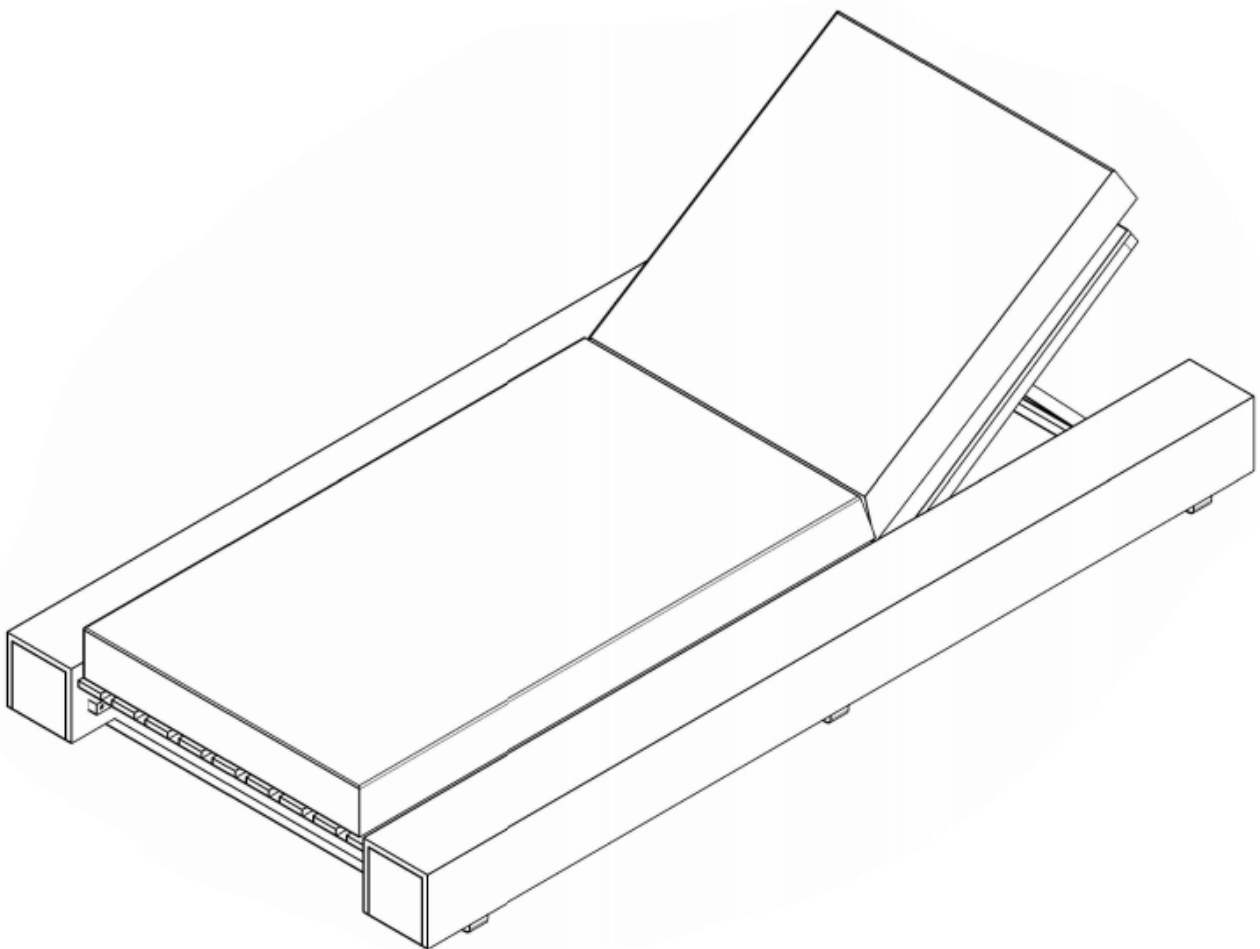


Assembly Instructions

CAUTION: You must read these Assembly Instructions before you proceed.

Please look into the Hardware Bag for all hardware.

Sun Lounger

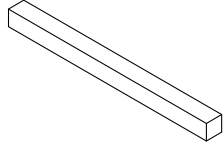
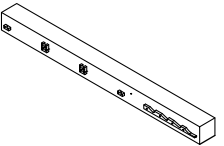
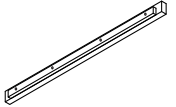
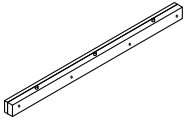
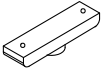
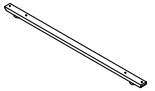
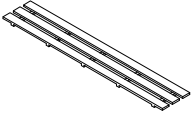
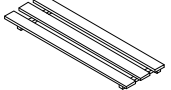
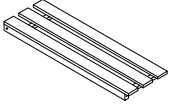
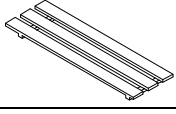

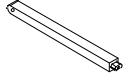
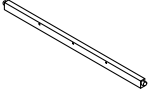
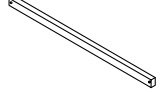
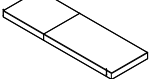


CAUTION: This Sun Lounger is NOT a TOY.

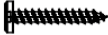




Keep your child / children at bay during the assembly process.

Whenever lifting or moving the Sun Lounger and to prevent damage to the Sun Lounger, two adult partners may be needed to execute these actions.

Parts List :

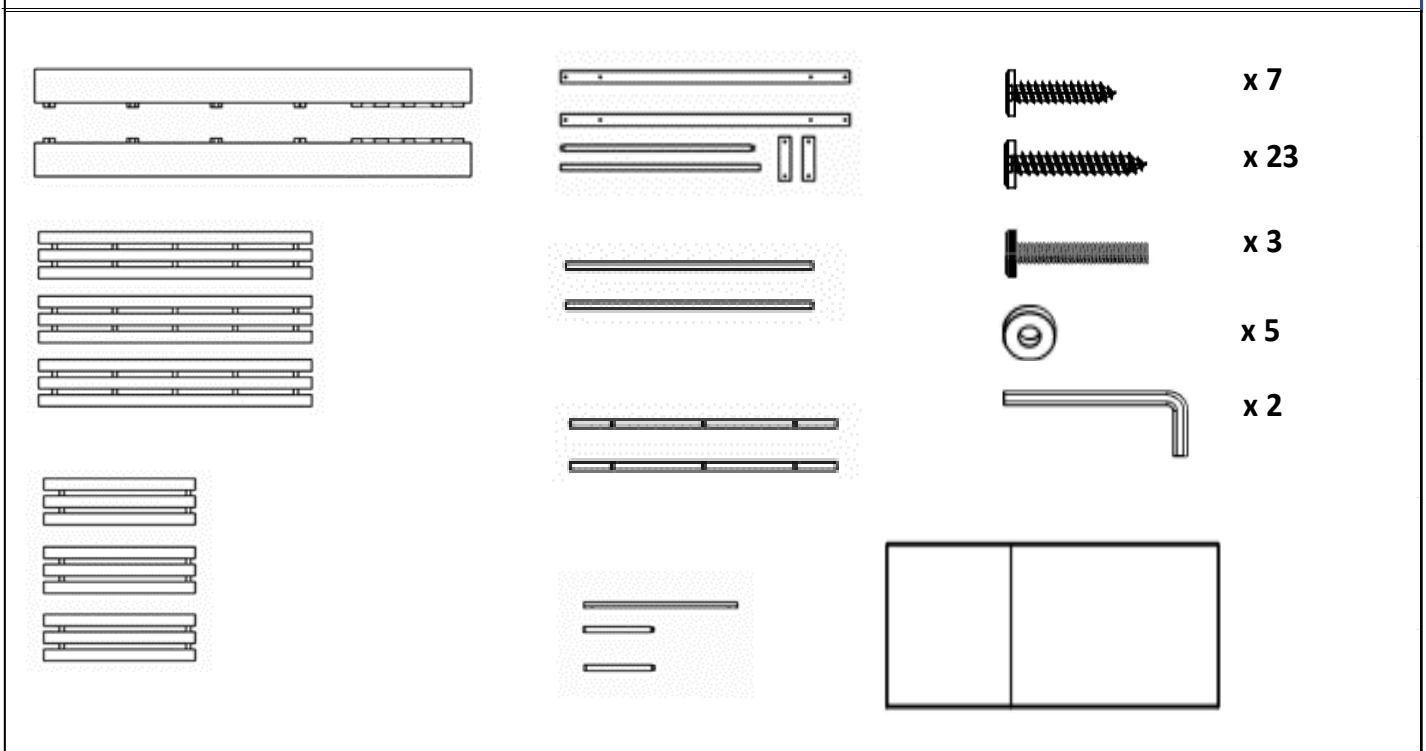
Label	Picture	Description	Qty
A		Left Seat Base Panel	1
B		Right Seat Base Panel	1
C		First Support Bar	2
D		Second Support Bar	2
E		Feet Block	2
F		Feet Base Panel	2
G		Seat Frame	3
H		Left Backrest Frame	1
I		Right Backrest Frame	1
J		Middle Backrest frame	1
K		Horizontal Bar	1
L		Vertical Bar	2
M		Lower Backrest Panel	1
N		Upper Backrest Panel	1
O		Cushion	1

Hardware :

Label	Picture	Description	Qty
①		Screw (M6 X 30 mm)	7
②		Screw (M6 X 40 mm)	23
③		Bolt (M6*50 mm)	3
④		Flat Washer(Ø6/20 X 4 mm)	5
⑤		Allen Wrench	2

Assembly Preparation :

Before Beginning Assembly:



- Read instructions, cover to cover-



- Have 2 adults on hand for assembly-



- Do not assemble on flooring or carpet-



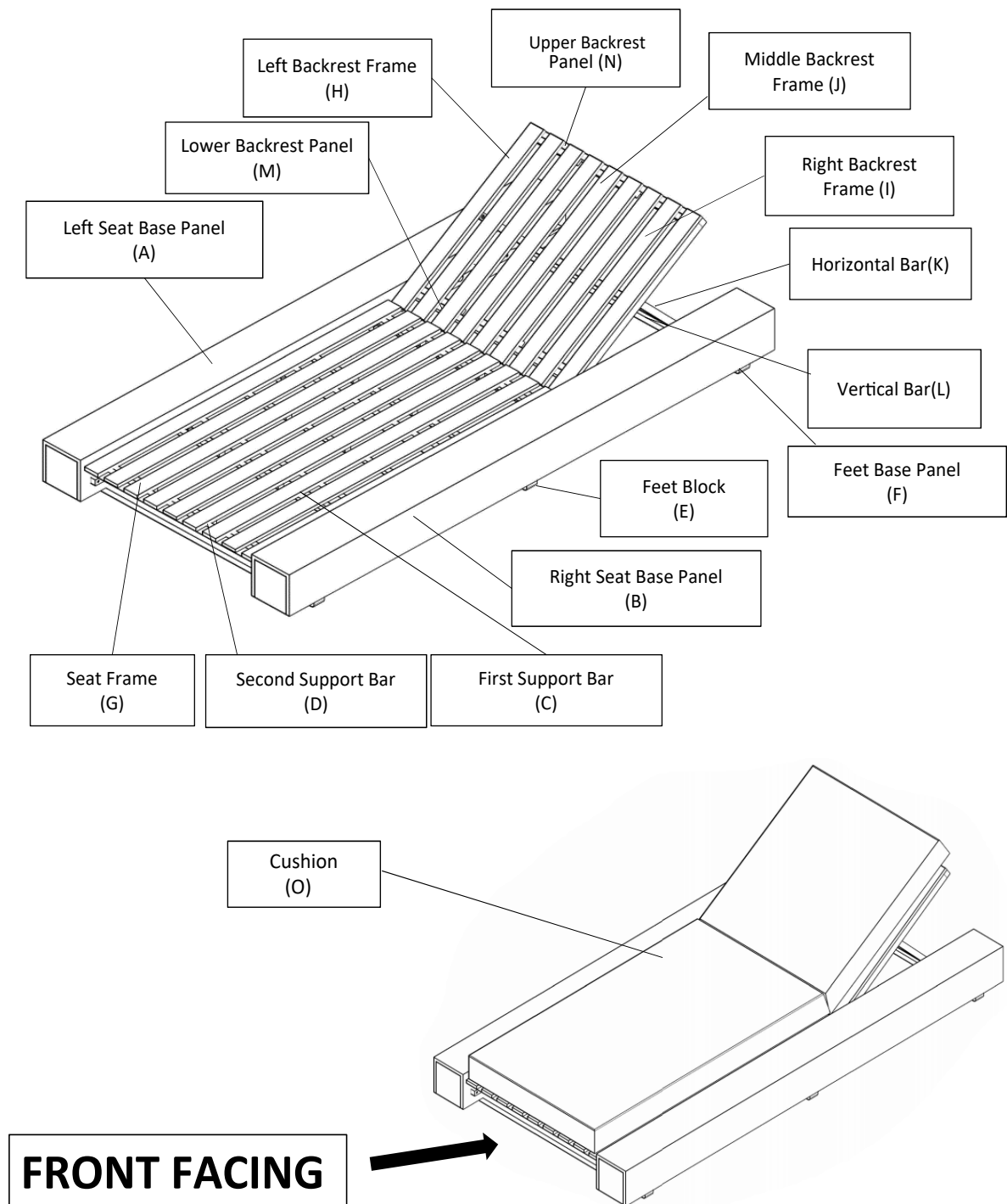
- Assemble on a clean non-marring surface (packing foam)-



- Save all packaging until finished-

Assembly Steps :

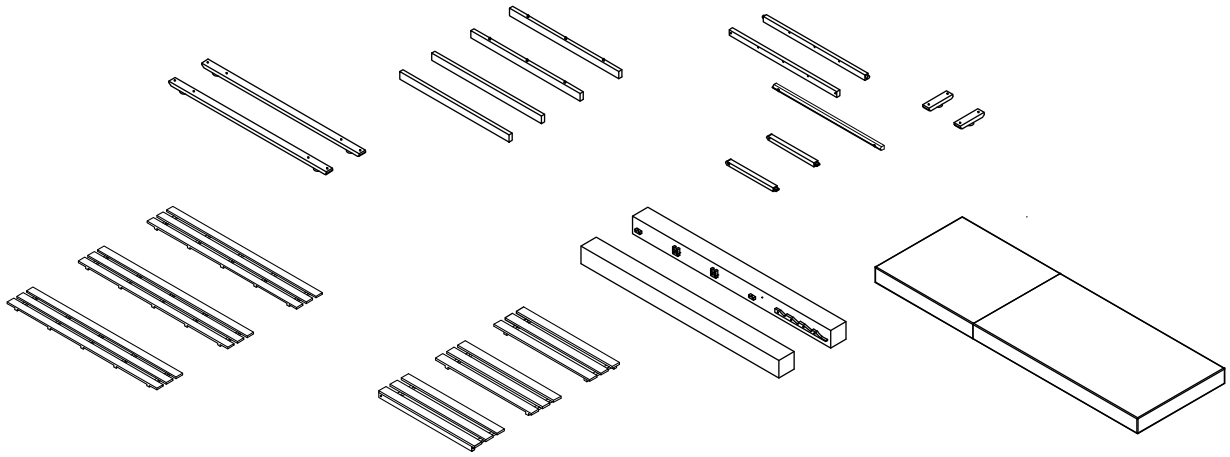
Overview :



This **Sun Lounger** has multiple parts and may require up to 30 minutes to assemble. To give you an overview of the **Sun Lounger**, the above picture is to help you put the various parts into perspective.

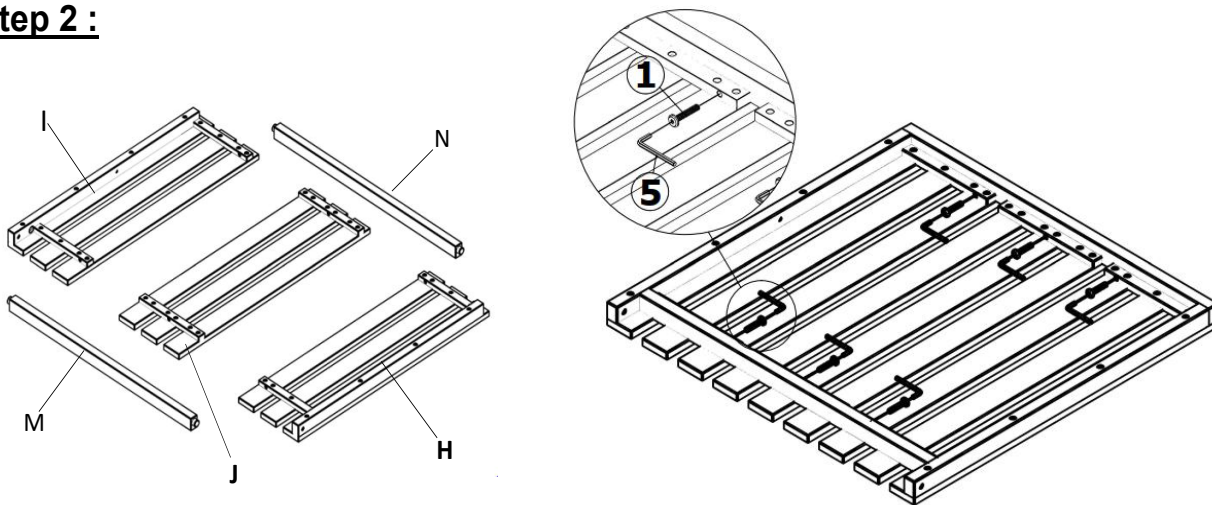
Please read through the instructions below to familiarise yourself with the parts and steps before assembly.

Step 1:



Unpack and place all parts on a clean, non-marring surface.

Step 2:

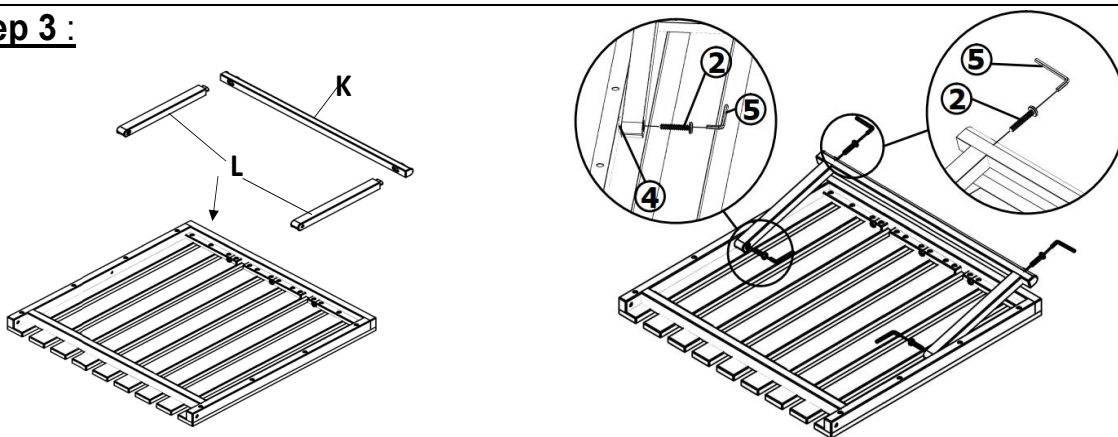


Place the Left Backrest Panel (H), Right Backrest Panel (I), Middle Backrest Panel (J) on a clean, non-marring surface.

Then, attach the Lower Backrest Panel (M) and Upper Backrest Panel (N) to the Left Backrest Panel (H), Right Backrest Panel (I), Middle Backrest Panel (J) using Screws (1) and Allen Wrench (5) as shown above.

DO NOT fully tighten the Screws.

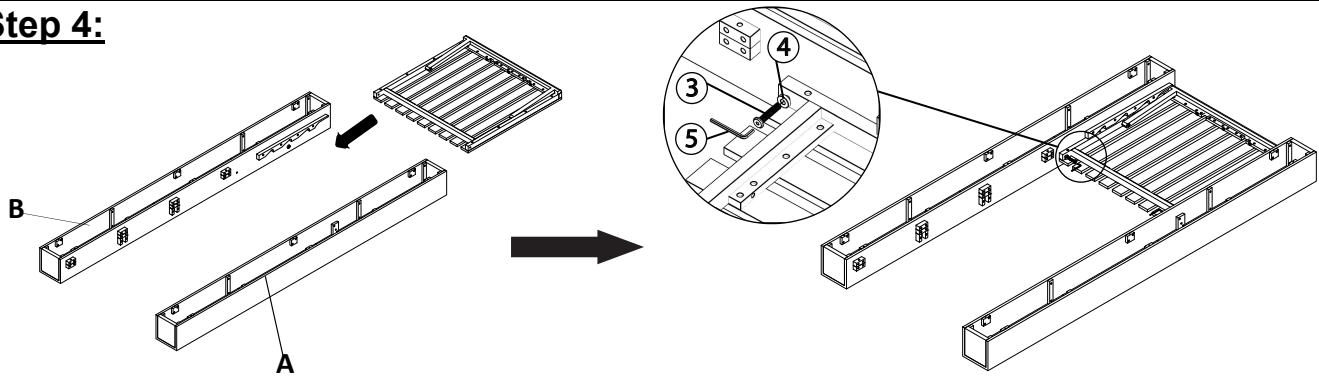
Step 3:



Attach the Horizontal Bar (K) and Vertical Bar (L) to the assemble in step 3 using Screws (2), Flat Washer (4) and Allen Wrench (5) as shown above.

DO NOT fully tighten the Screws .

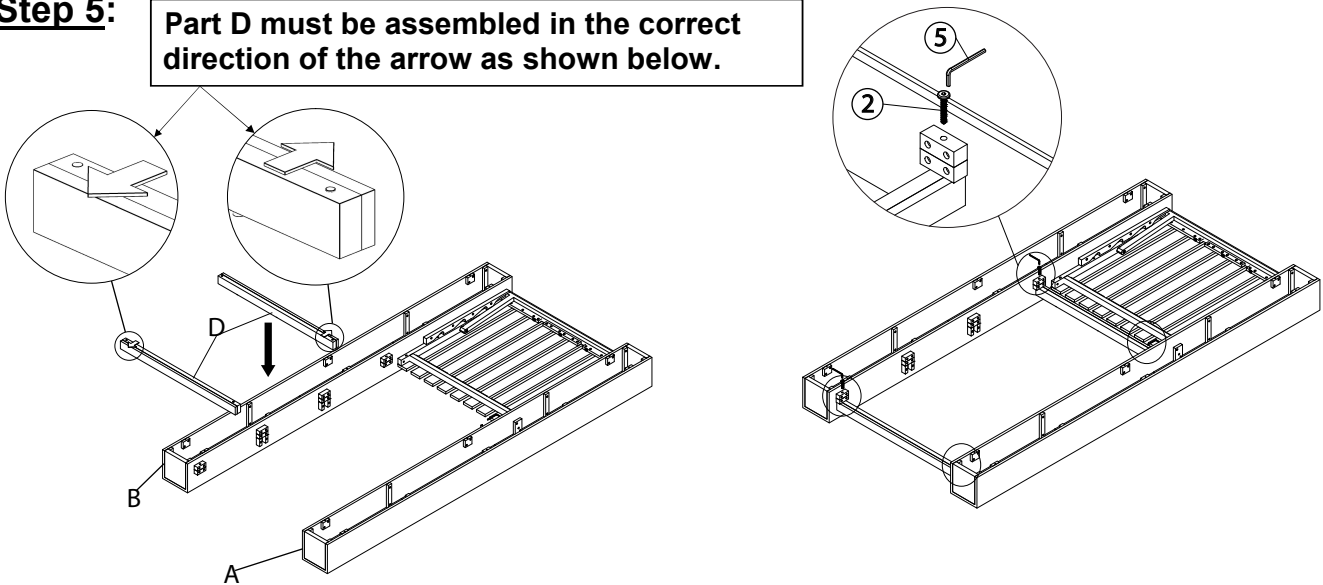
Step 4:



Attach the Left Seat Base Panel (A) Right Seat Base Panel (B) to the assemble in step 3 using Bolts (③), Flat Washer (④) and Allen Wrench (⑤) as shown above.
DO NOT fully tighten the Bolts.

Step 5:

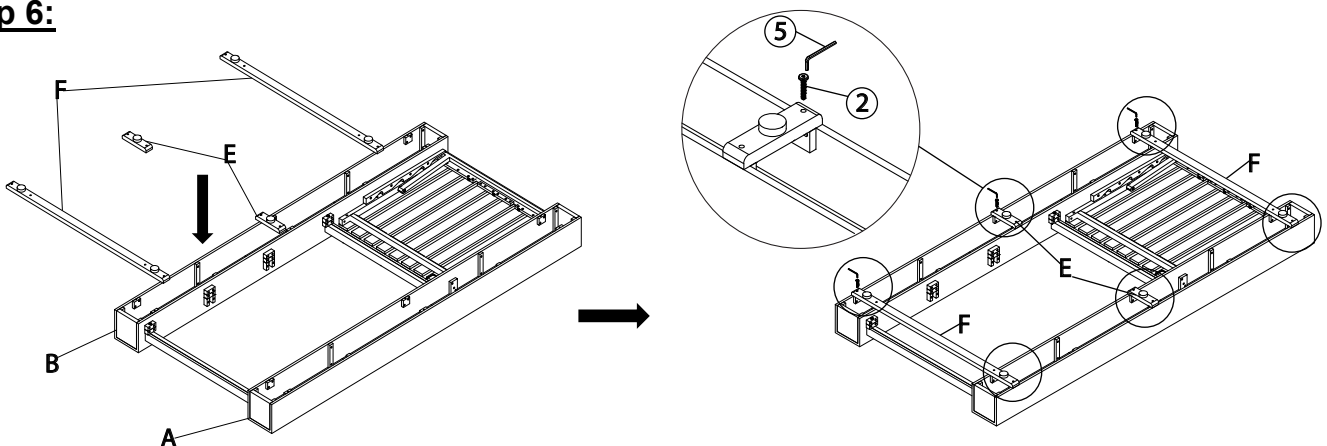
Part D must be assembled in the correct direction of the arrow as shown below.



Attach the Second Support Bar (D) to the assemble in step 4 using Screws (②) and Allen Wrench (⑤) as shown above.
DO NOT fully tighten the Screws.

Note 1: Part D must be assembled in the correct direction of the arrow as shown.

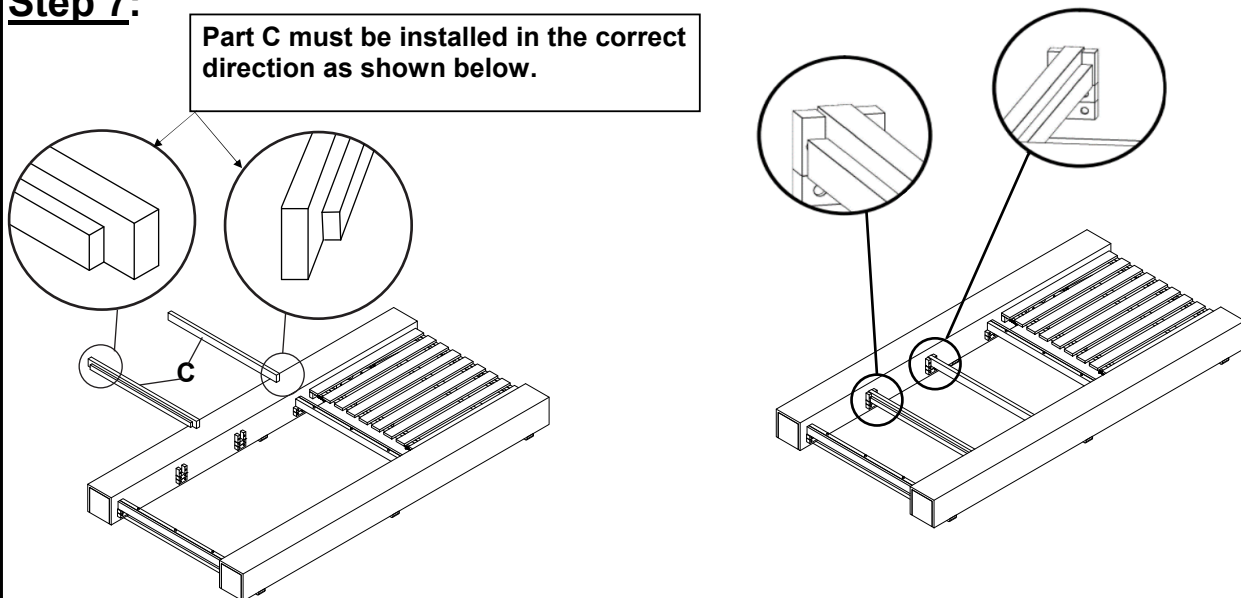
Step 6:



Attach the Feet Block (E), Feet Base Panel (F) to the assemble in step 5 using Screws (②) and Allen Wrench (⑤) as shown above.
DO NOT fully tighten the Screws.

Step 7:

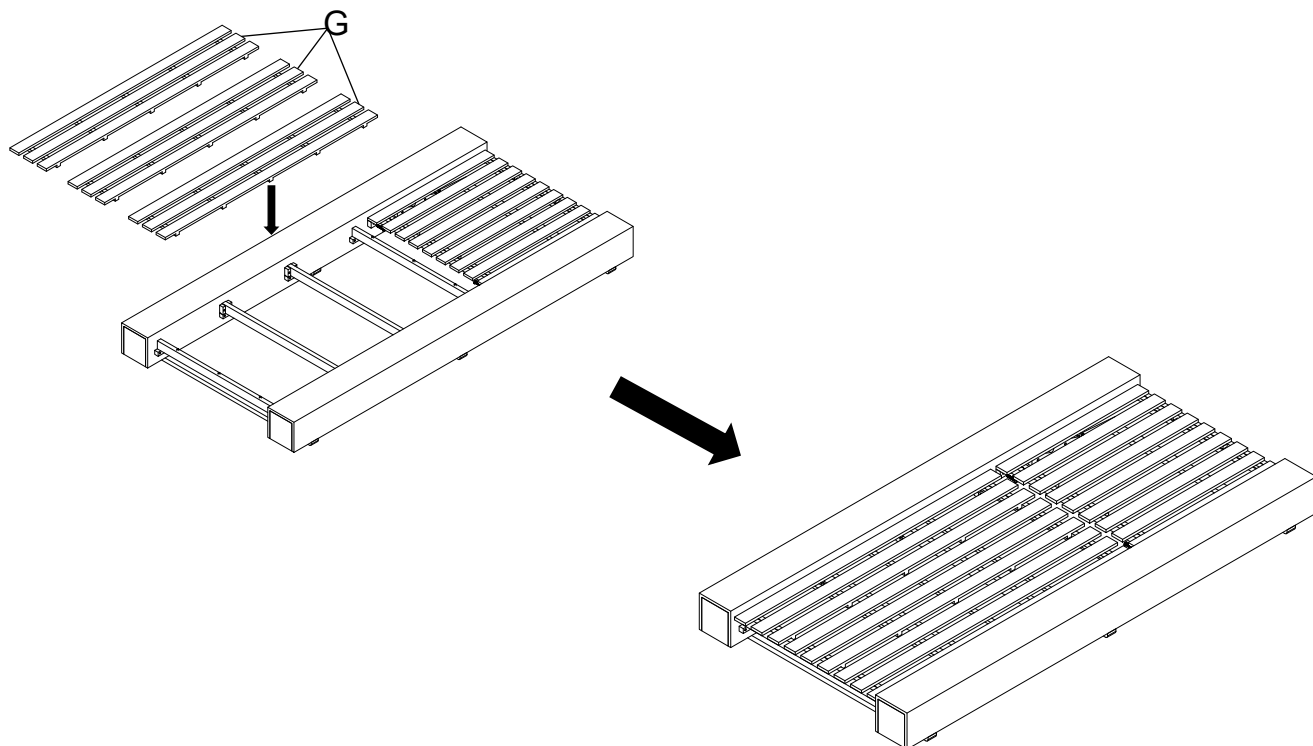
Part C must be installed in the correct direction as shown below.



With the help of your adult partner, turn back the assemble in step 6 and attach the First Support Bar (C) to the frame as shown above.

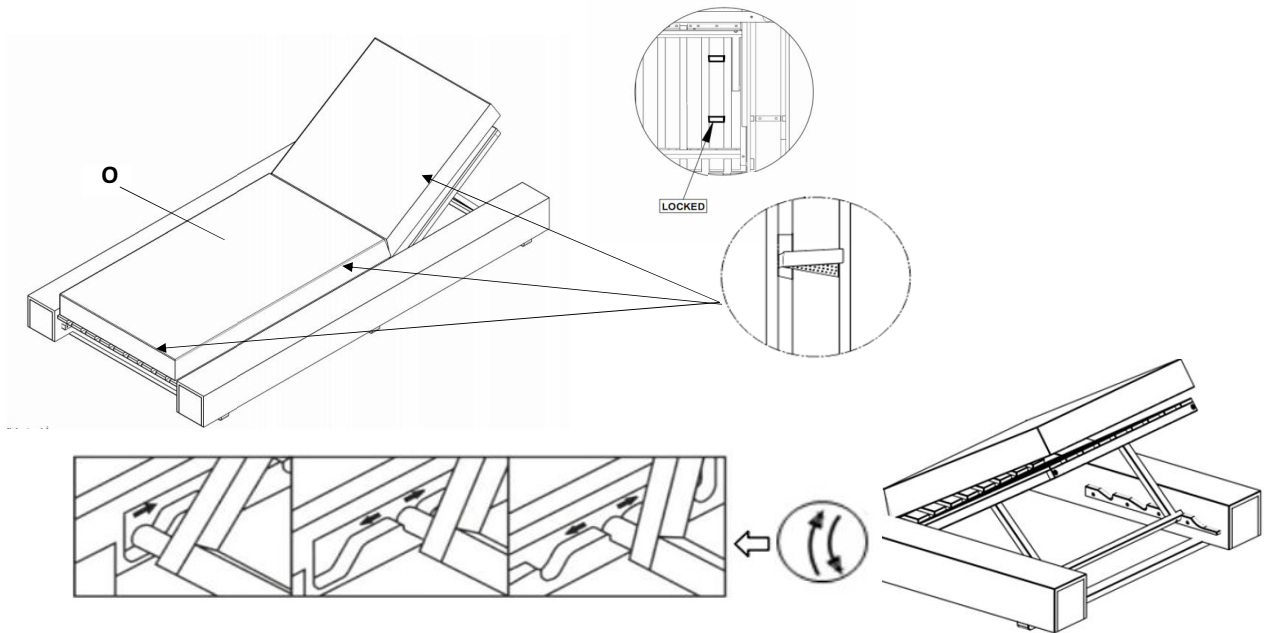
Note 2: Part C must be installed in the correct direction as shown.

Step 8:



Position the Seat Frame (G) to the assemble in step 6 as shown above.

Step 9:



Place the Cushion (O) onto the Sun Lounger, then tie the Magic tape as shown above. Then EXERT pressure, floorwards onto the Sun Lounger with both hands. This pressure will help the Sun Lounger reach full alignment at all joints. In a sequential manner, gradually tighten all Bolts, Screws at all joints until evenly secured. Inspect the Sun Lounger and make sure all parts are adequately connected. **Your Sun Lounger is ready for use.** **This Sun Lounger can only be used on a flat, level surface.**

Note 3:
Align the Backrest of Sunlounger in position you want.

Care & Maintenance

- ⊘ ☕ ● Do not put hot items directly on furniture surface.
- ⊘ 🧴 ● Do not clean furniture with harsh cleansers or polish.
- ✓ ☀ ● To obtain the longest lifespan of your outdoor products, minimizing exposure to direct sunlight is recommended.
- ⊘ 🧒 ● Children should not climb or jump on the furniture.
- ⊘ ✍ ● Do not write on furniture without a padded barrier to protect the surface.
- ✓ ☁ ● To obtain the longest lifespan of your outdoor products, avoid extended and lengthy exposure to rain, snow, and direct sunshine. Whenever possible cover the product and /or place under patio or awnings.
- ⊘ 🏢 ● Not for commercial use. For residential use only.
- ⊘ 🧴 ● Stains may be removed with mild soap solution and damp cloth.
- ✓ 🧺 ● Dust and pick-up spills using a clean, non-colored, lint-free cloth .