

ASSEMBLY INSTRUCTION

025 -304 ALLEGHENY 5/0 PANEL HEADBOARD

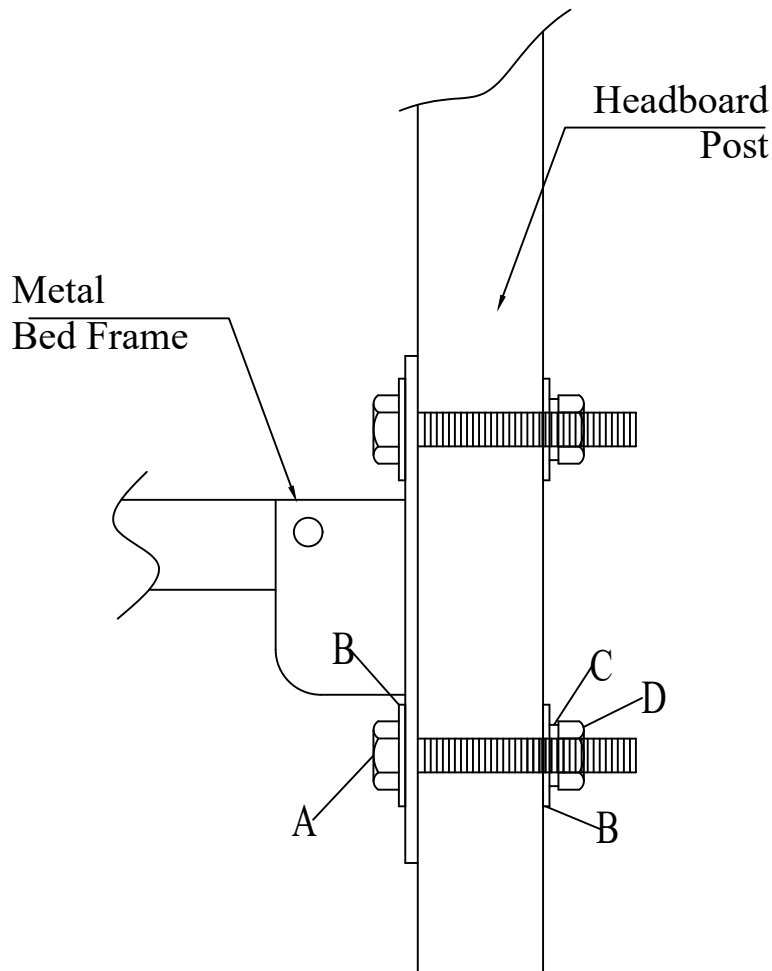
025 -306 ALLEGHENY 6/6 PANEL HEADBOARD





www.kincaidfurniture.com

Phone : 828-728-3261.

IMPORTANT NOTES :

- . Place all wooden parts on a clean and smooth surface such as a rug or carpet to prevent the parts from being scratched.
- . Check to be sure that you have all parts and hardware.
- . Remove all wrapping materials, including staples and packing straps before you start to assemble.
- . Do not tighten all screws and bolts until completely assembled.
- . Keep all hardware out of the reach of children.



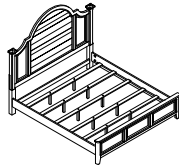
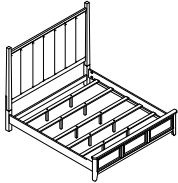
NO	Hardware List		Q'ty
A		Bolt Ø1/4*102mm	4pcs
B		Ø1/4 Flat Washer	8pcs
C		Ø1/4 Lock Washer	4pcs
D		Ø1/4 Nut	4pcs

ASSEMBLY INSTRUCTION

025-307 6/6 PANEL FOOTBOARD W/RAIL+SLAT

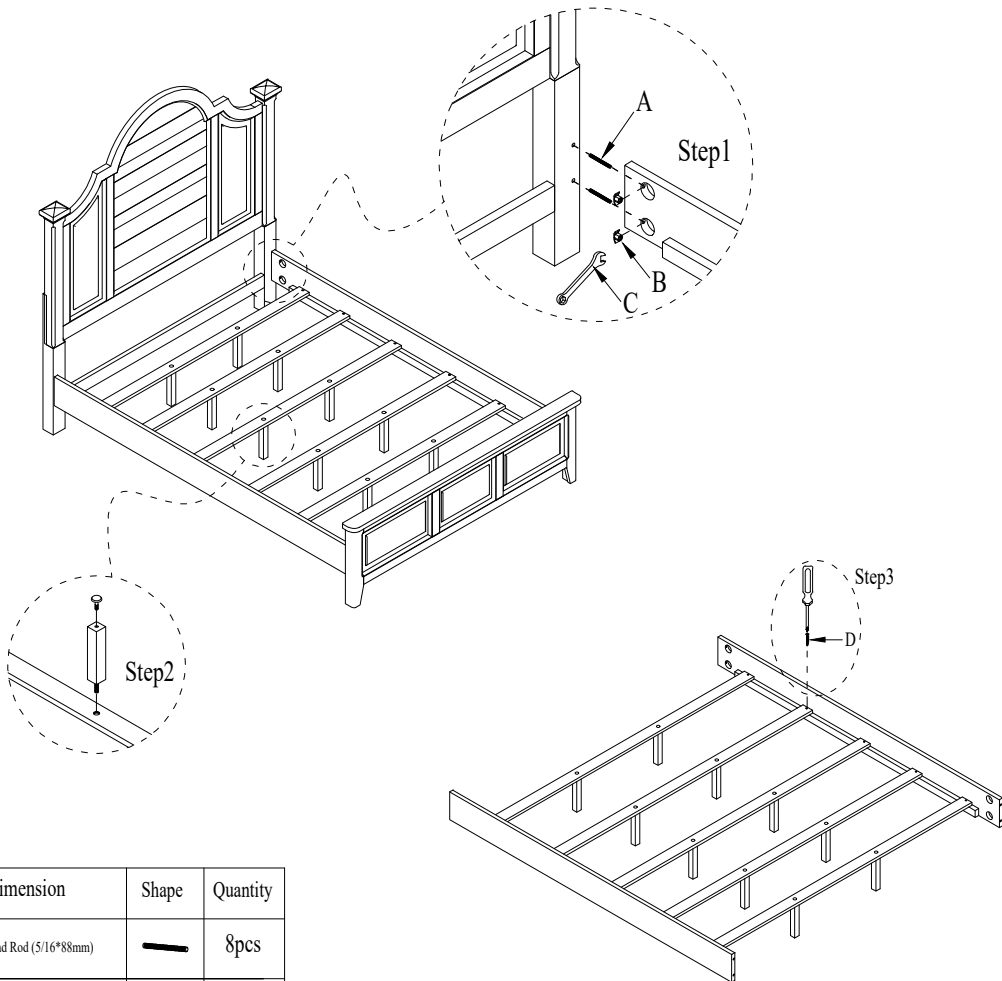
www.kincaidfurniture.com





Phone : 828-728-3261.



IMPORTANT NOTES :

- . Place all wooden parts on a clean and smooth surface such as a rug or carpet to prevent the parts from being scratched.
- . Check to be sure that you have all parts and hardware.
- . Remove all wrapping materials, including staples and packing straps before you start to assemble.
- . Do not tighten all screws and bolts until completely assembled.
- . Keep all hardware out of the reach of children.



No.	Dimension	Shape	Quantity
A	Thread Rod (5/16*88mm)		8pcs
B	Curved Slotted Washer (5/16")		8pcs
C	Wrench (12mm)		1pc
D	SCREW (8*25mm)		10pcs