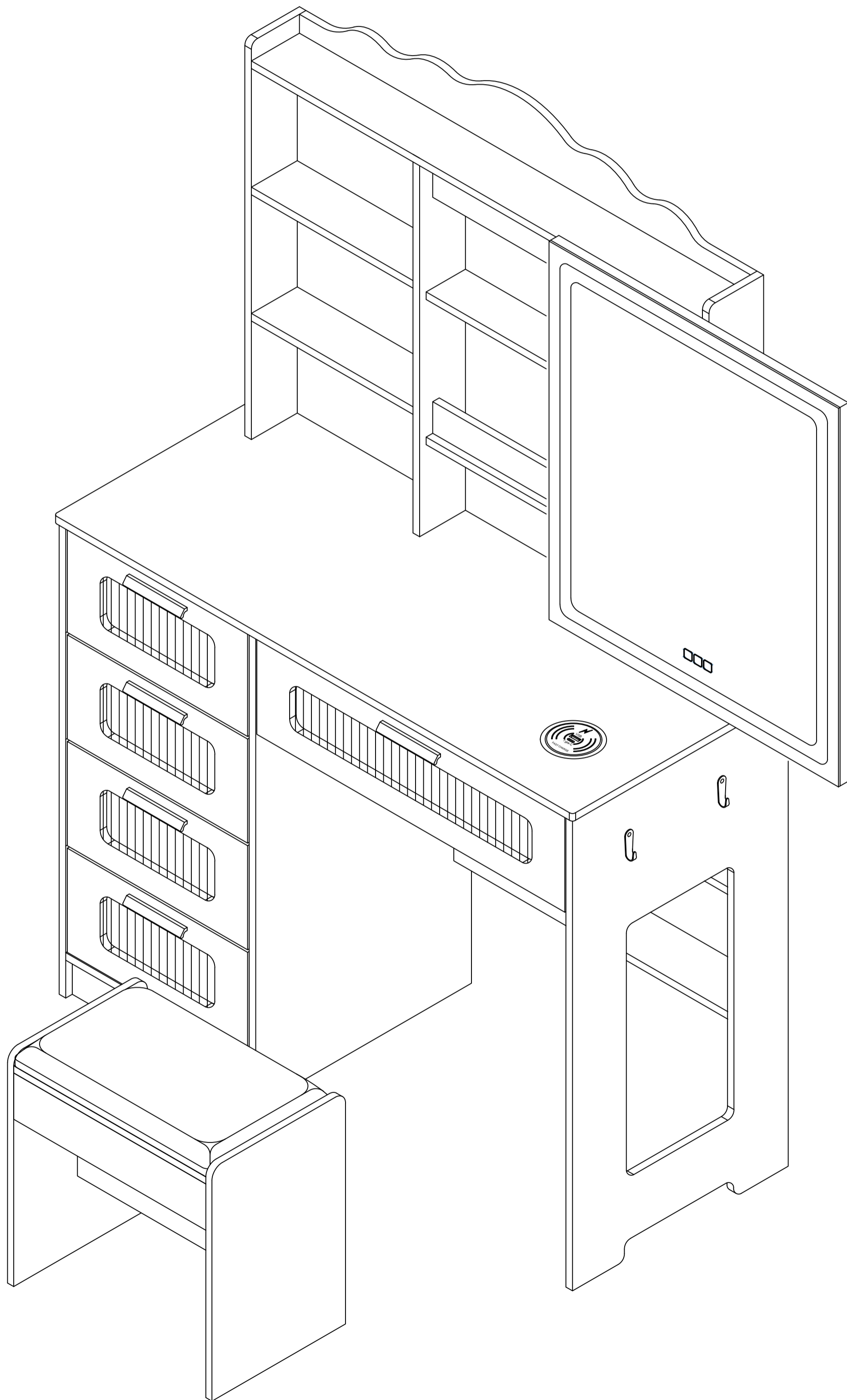
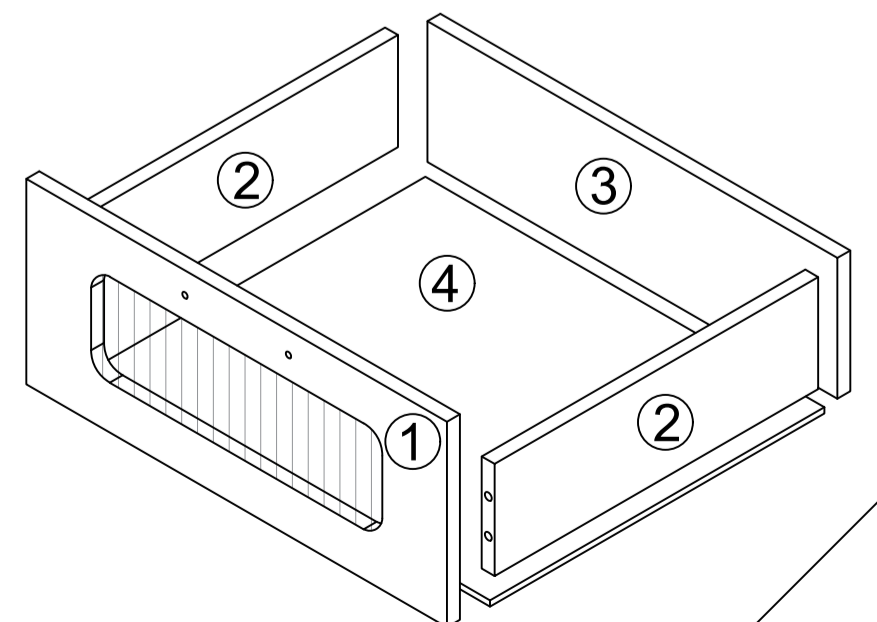
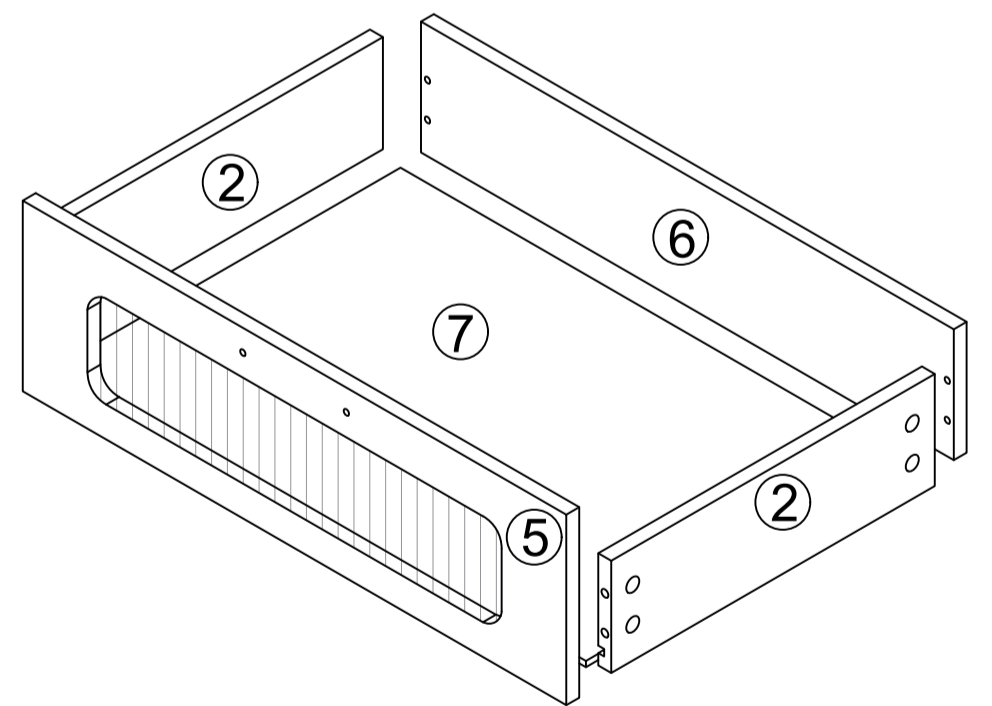
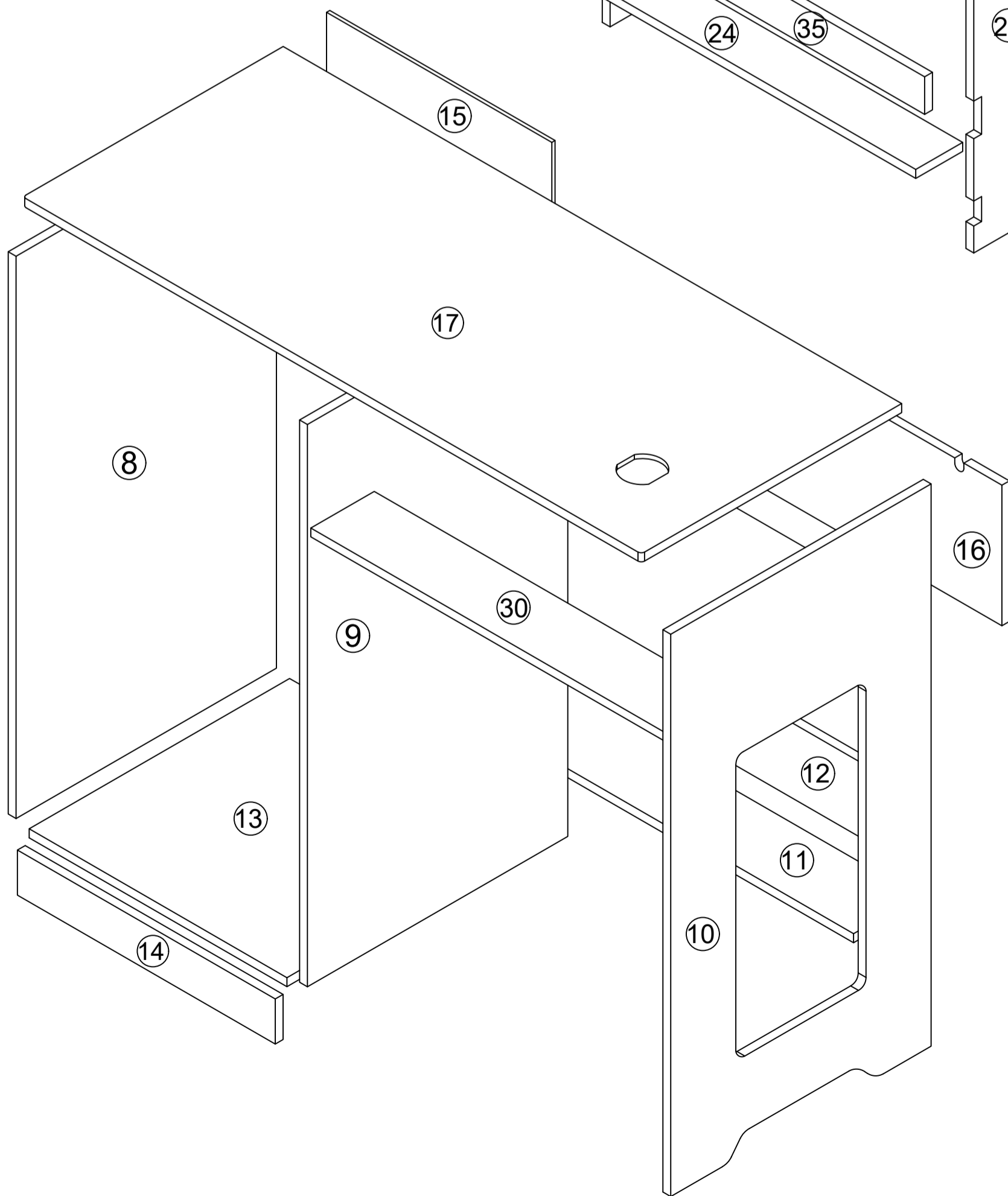
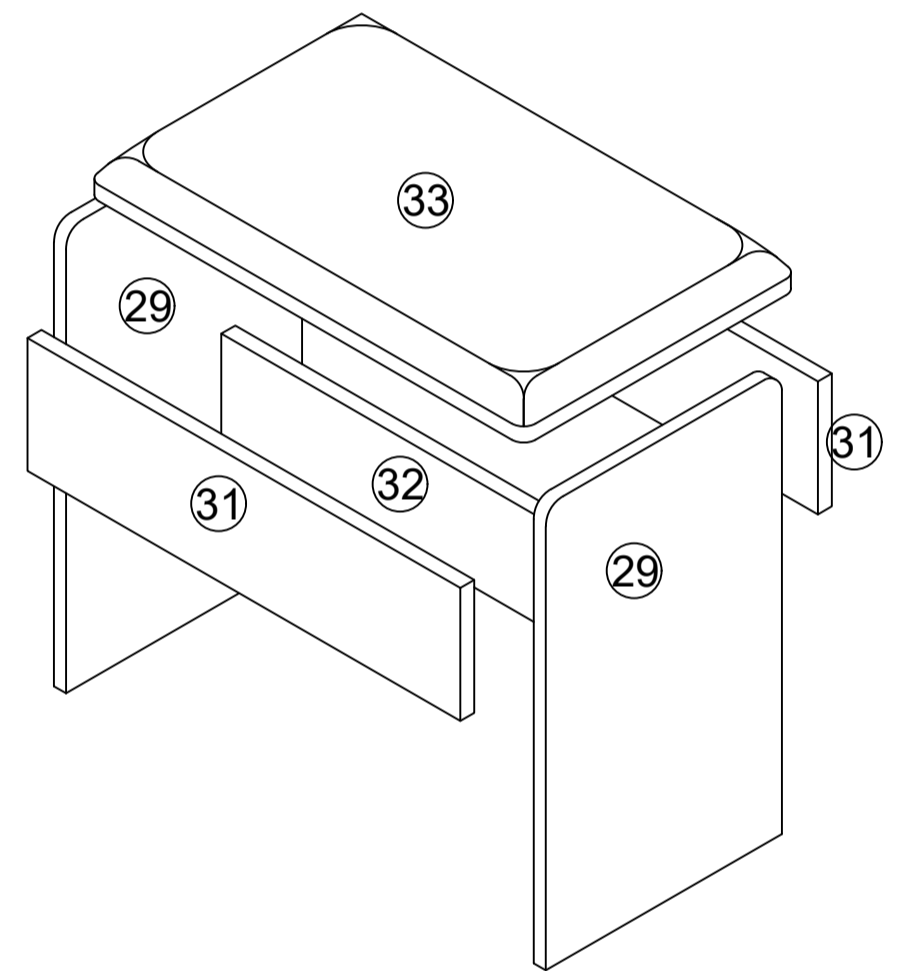
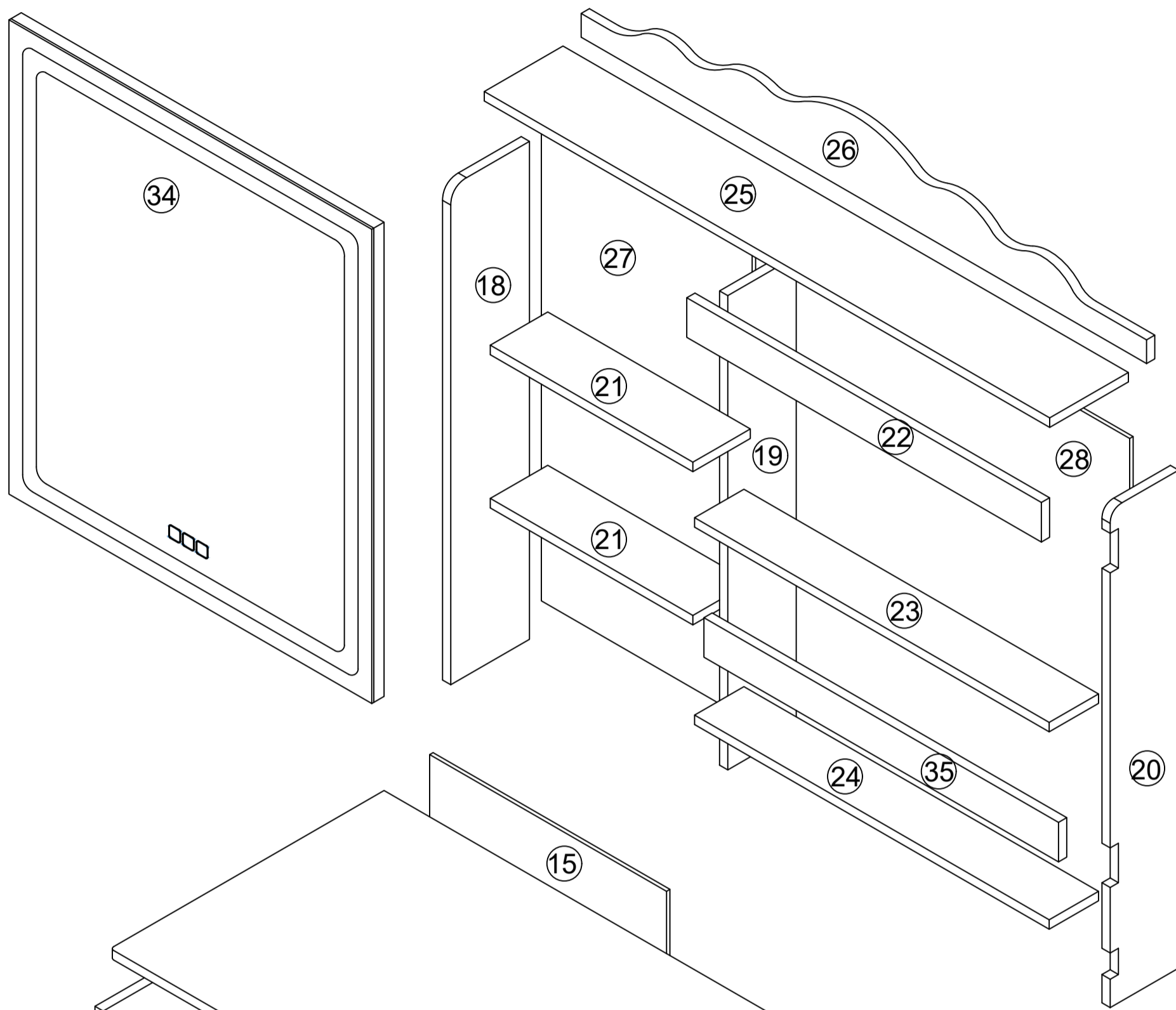


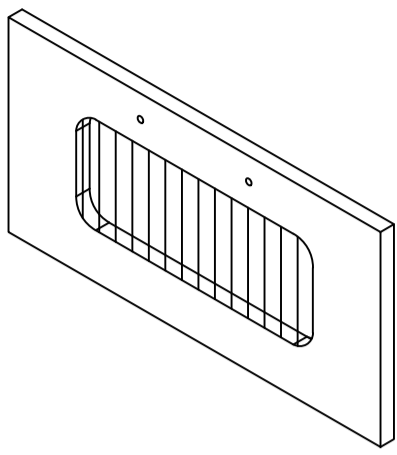
# Vanity Table Manual



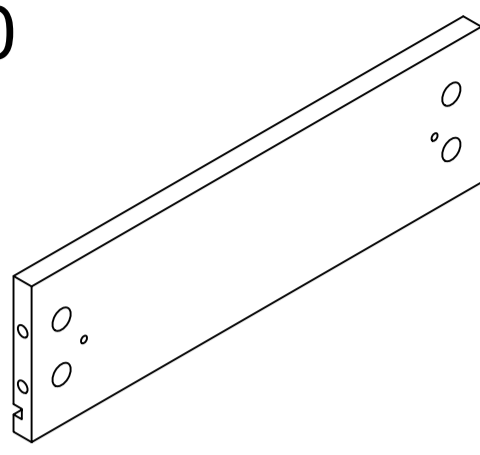


# Hardware list

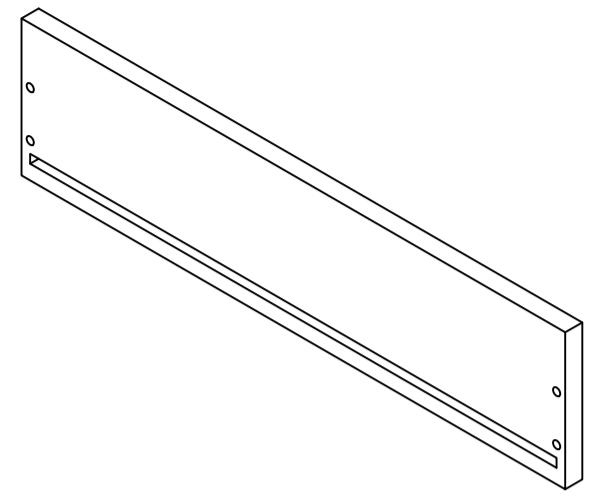
① x4



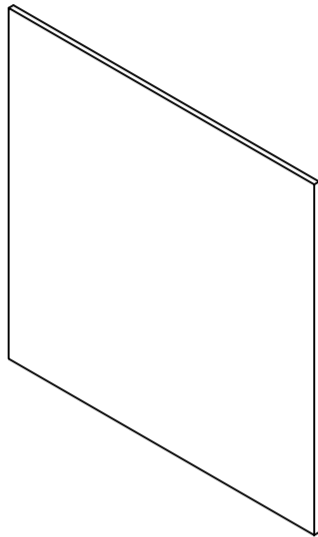
② x10



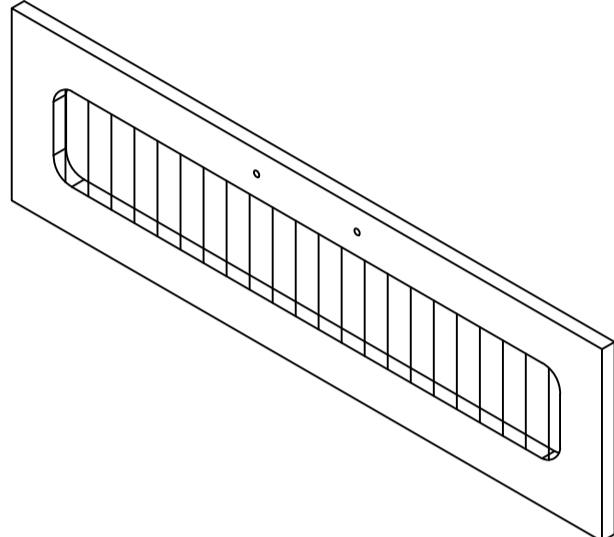
③ x4



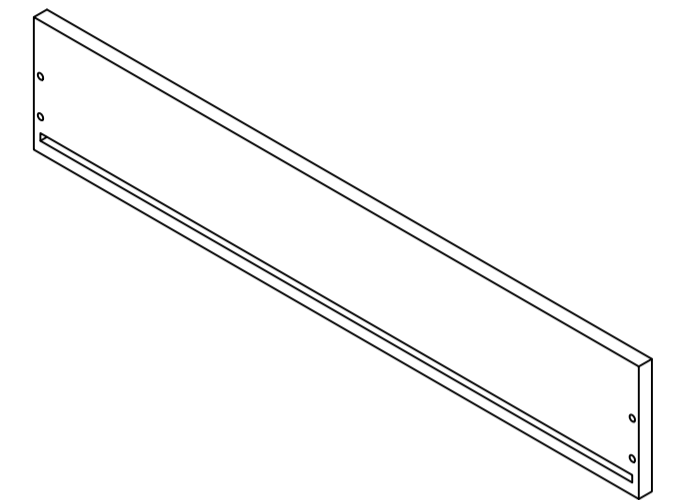
④ x4



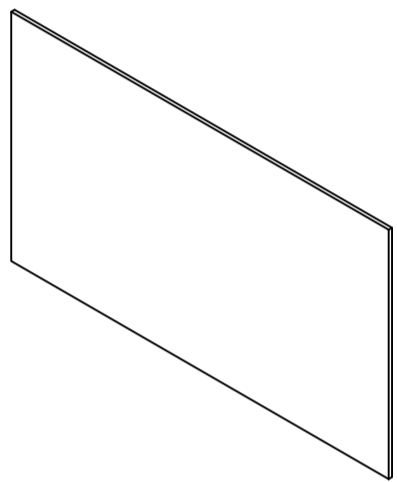
⑤ x1



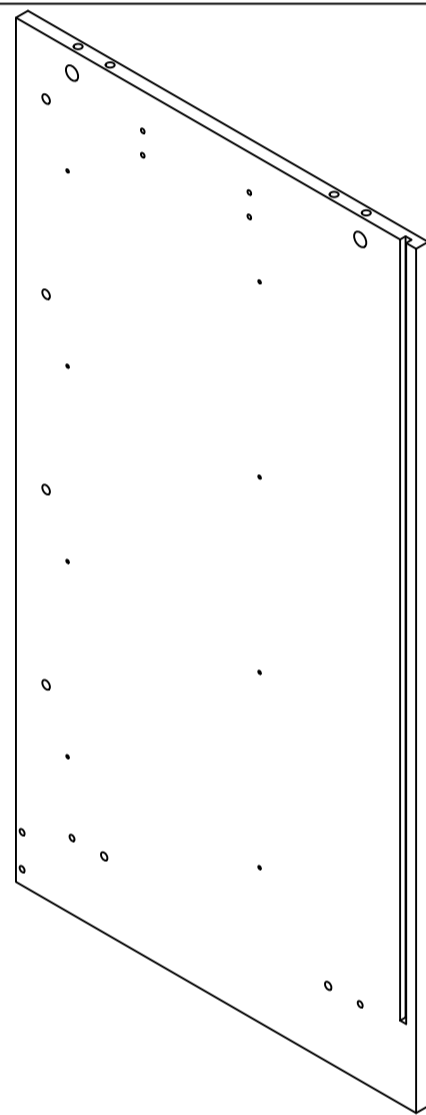
⑥ x1



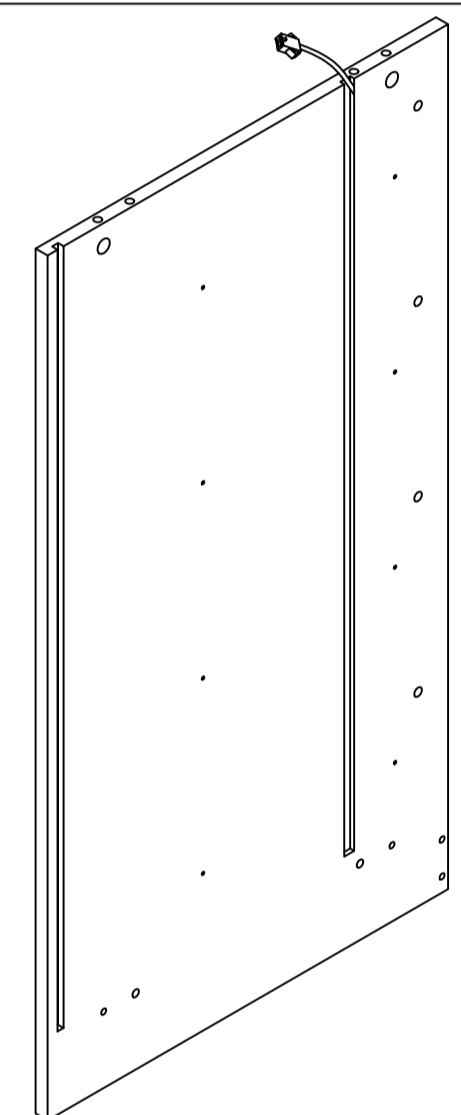
⑦ x1



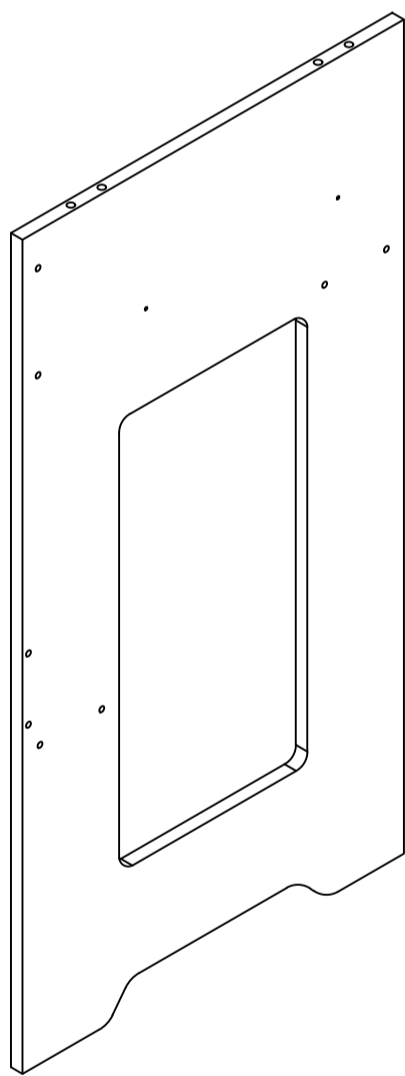
⑧ x1



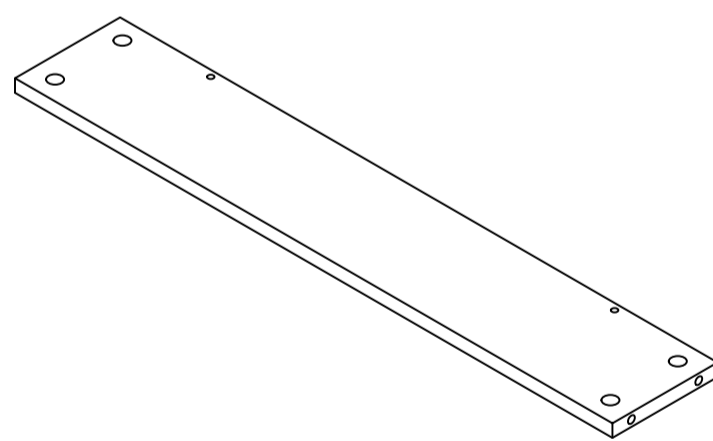
⑨ x1



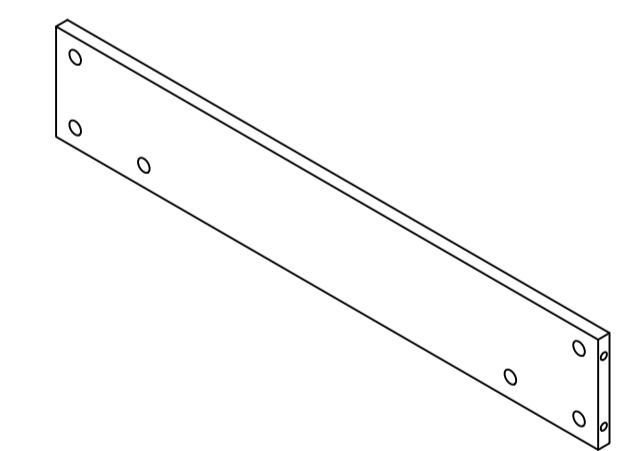
⑩ x1



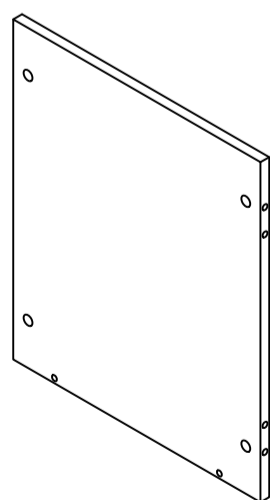
⑪ x1



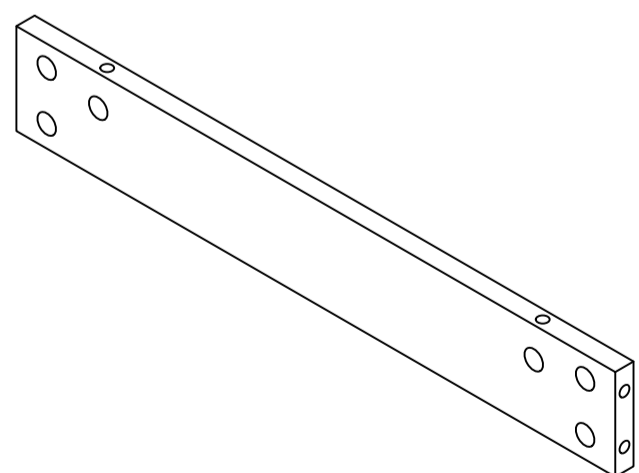
⑫ x1



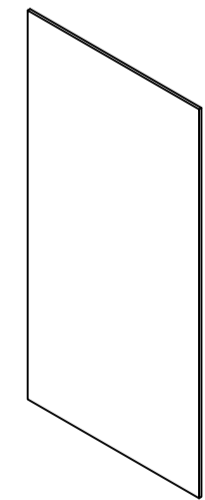
⑬ x1



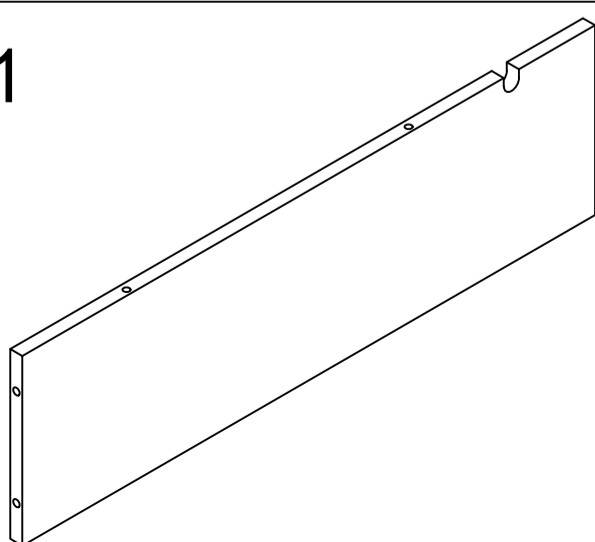
⑭ x1



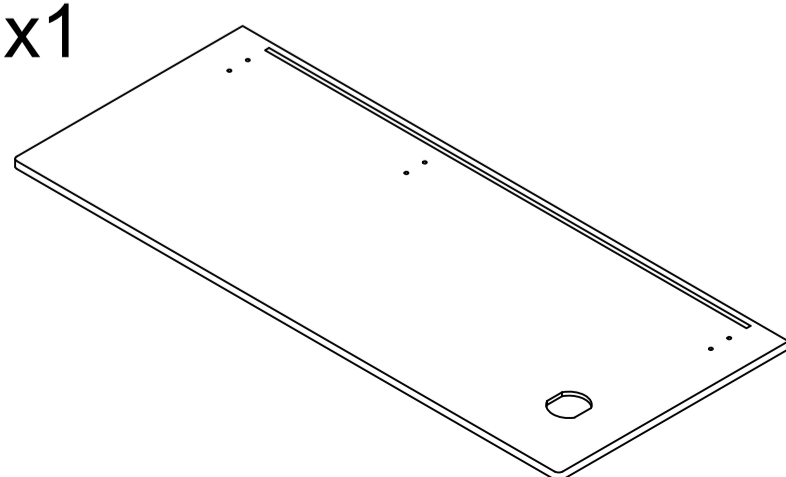
⑮ x1



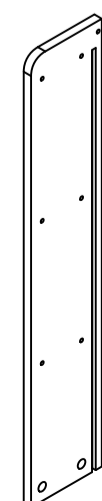
⑯ x1



⑰ x1

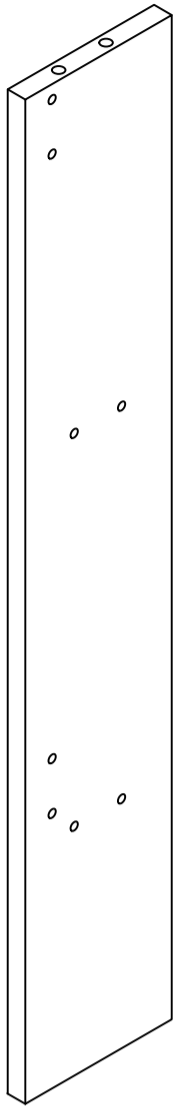


⑱ x1

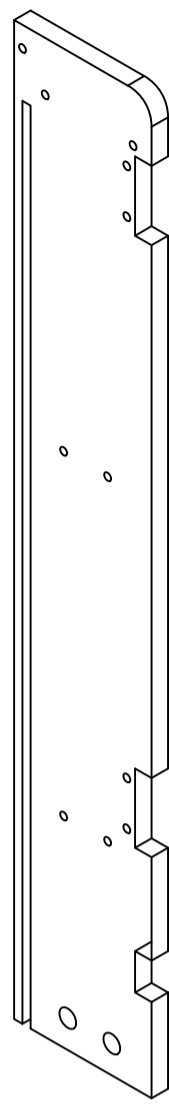


# Hardware list

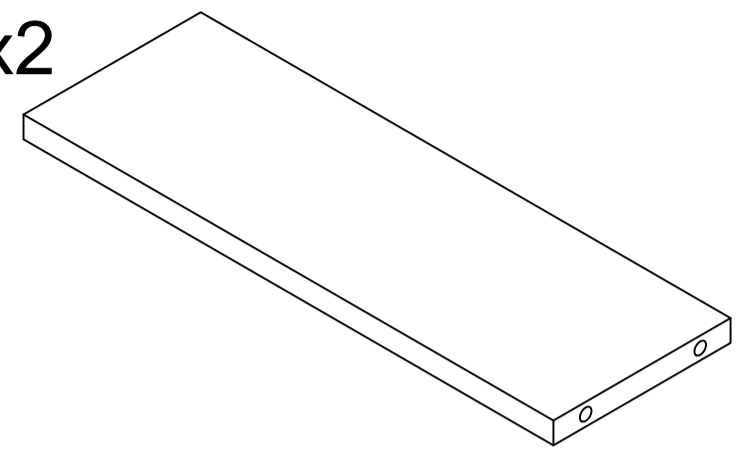
①9 x1



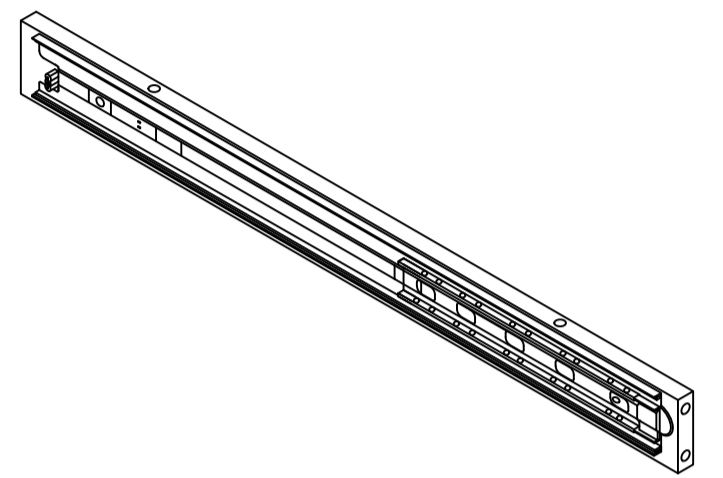
②0 x1



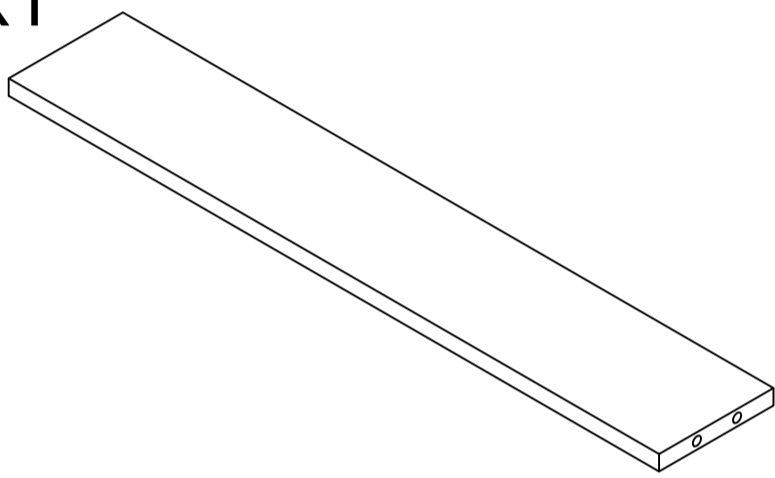
②1 x2



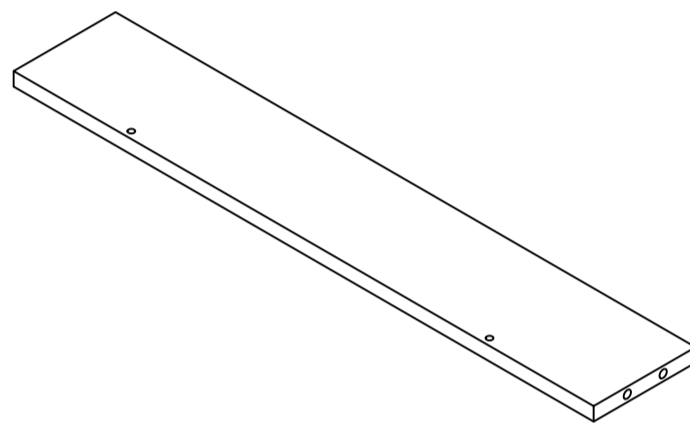
②2 x1



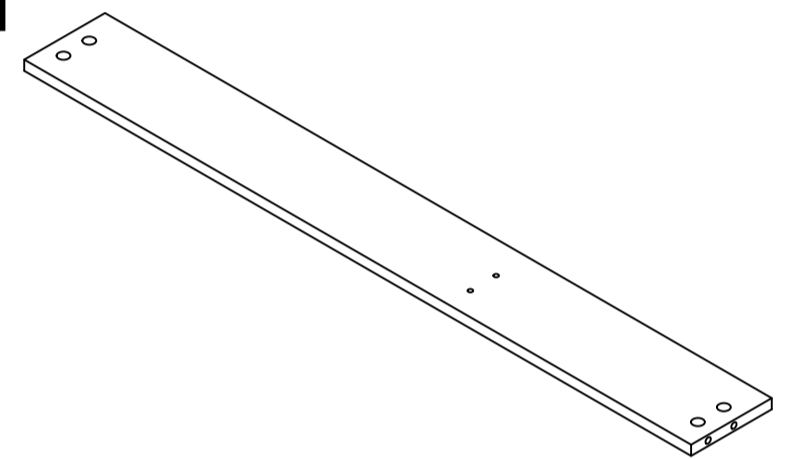
②3 x1



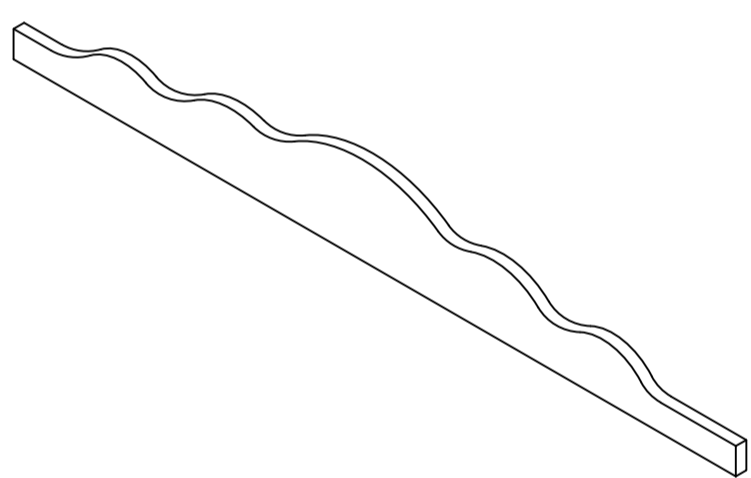
②4 x1



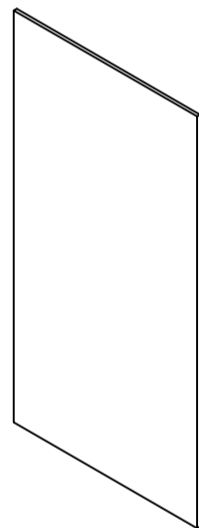
②5 x1



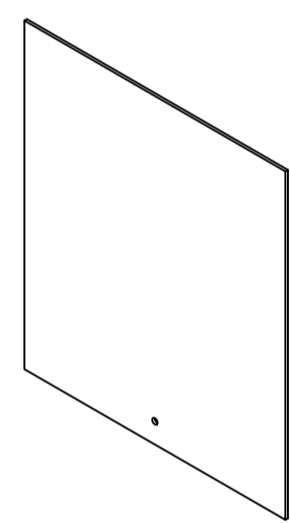
②6 x1



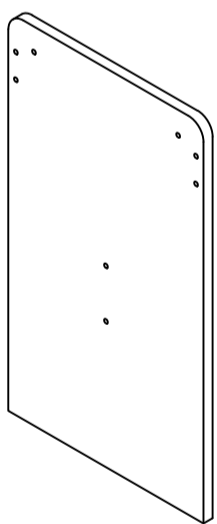
②7 x1



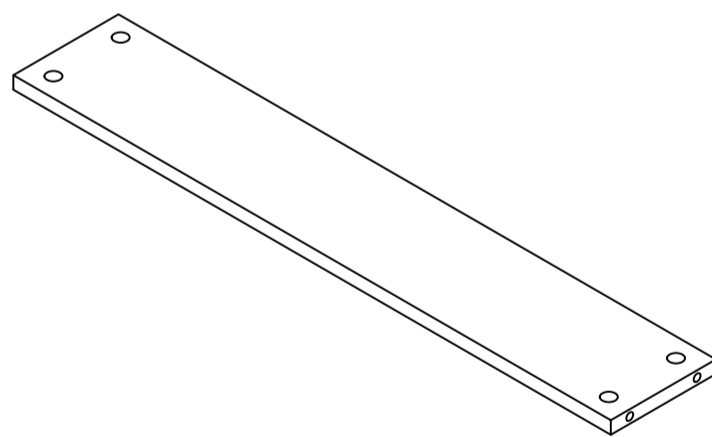
②8 x1



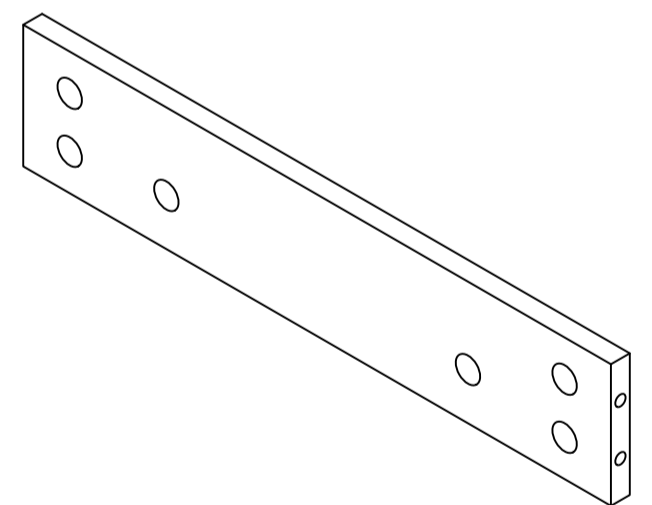
②9 x2



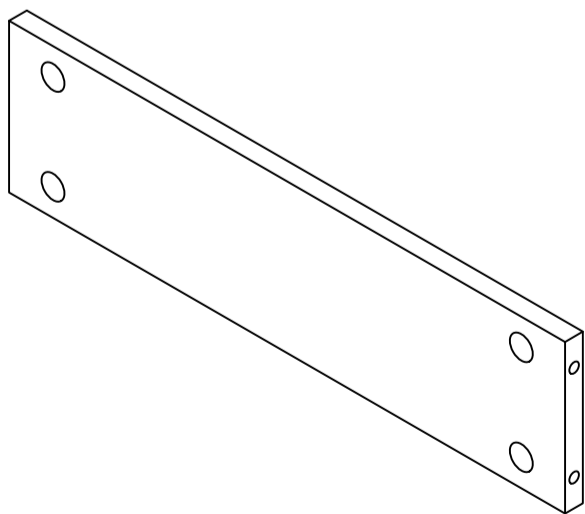
③0 x1



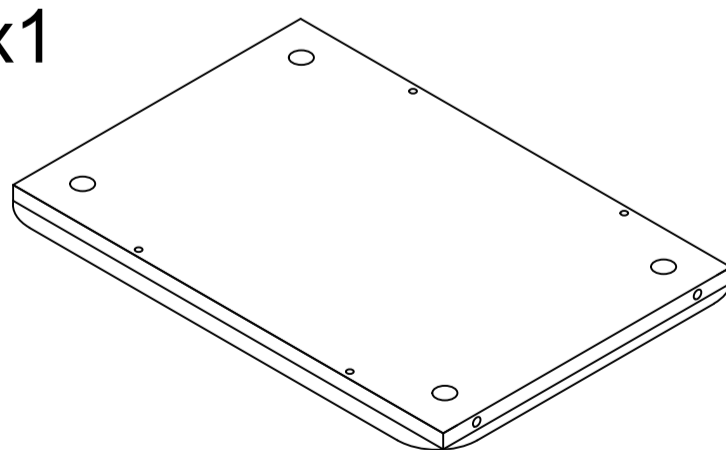
③1 x2



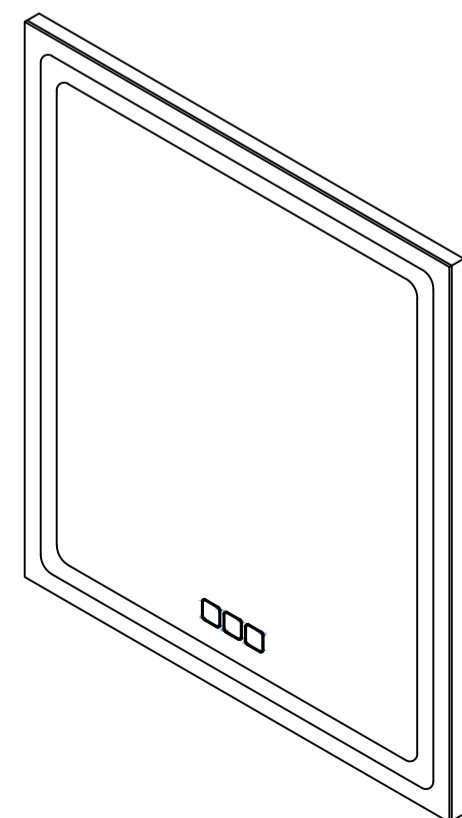
③2 x1



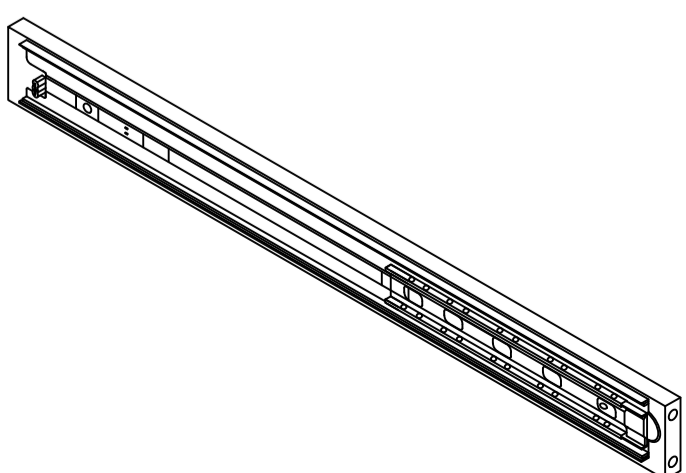
③3 x1



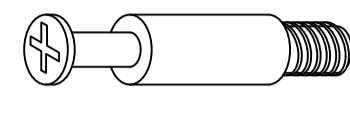

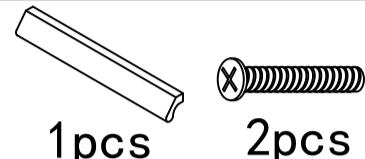
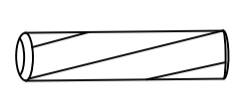
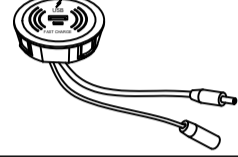



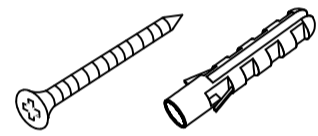
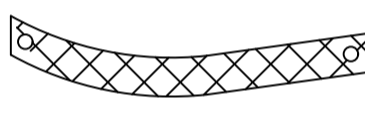
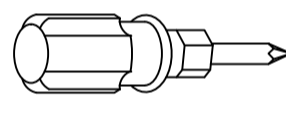
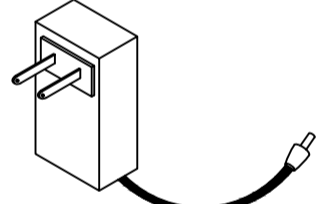
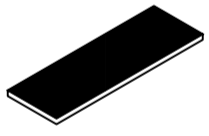
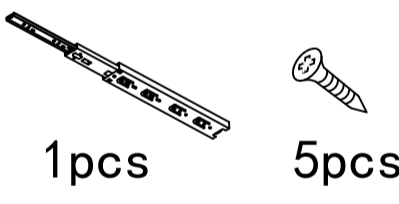
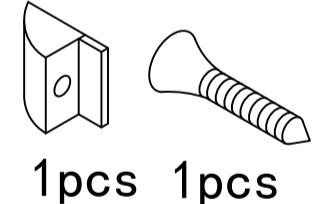
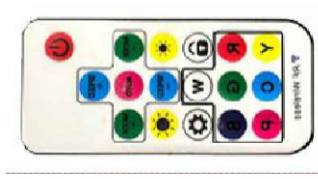
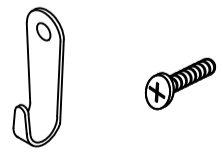
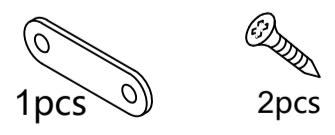
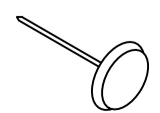
③4 x1

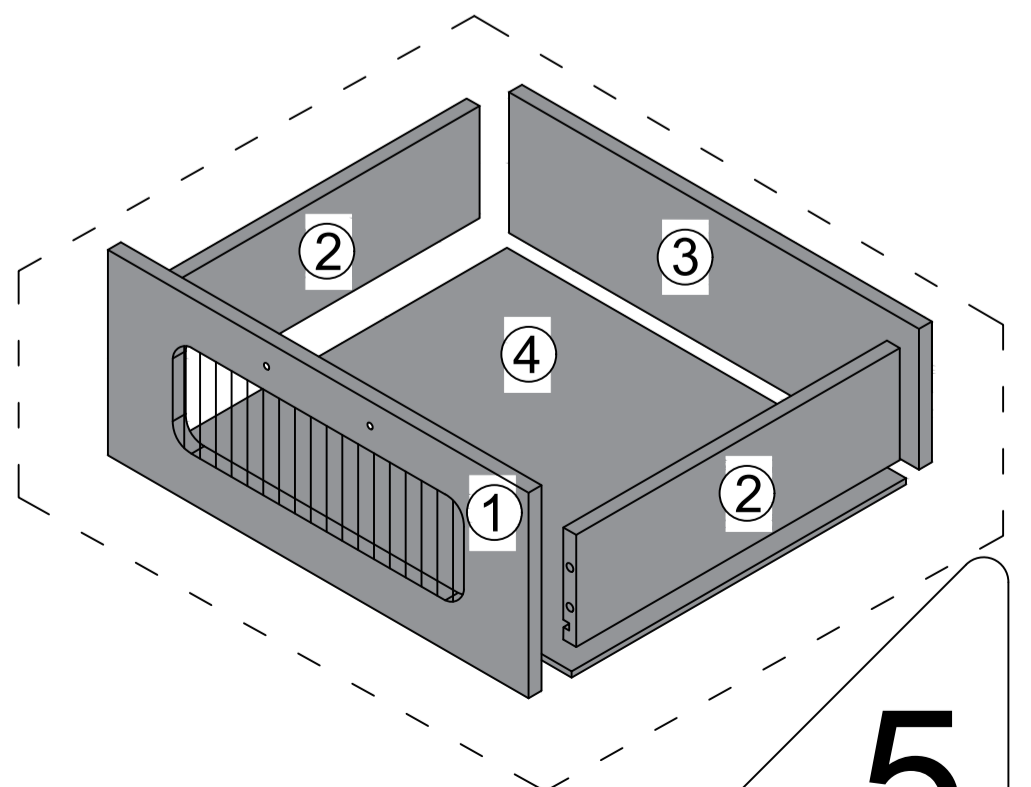
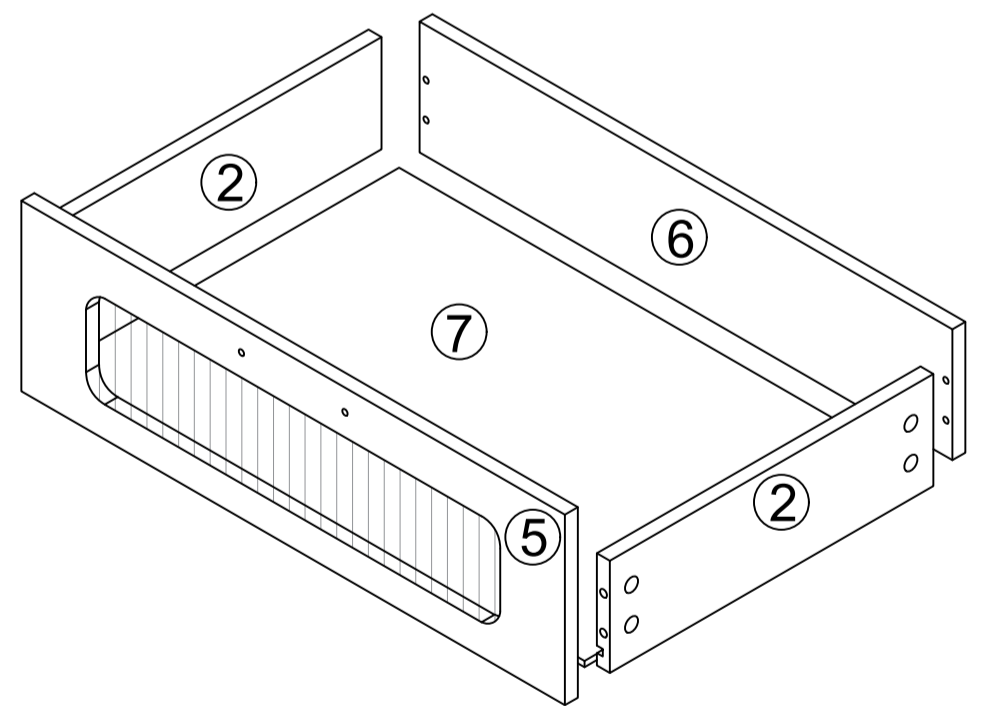
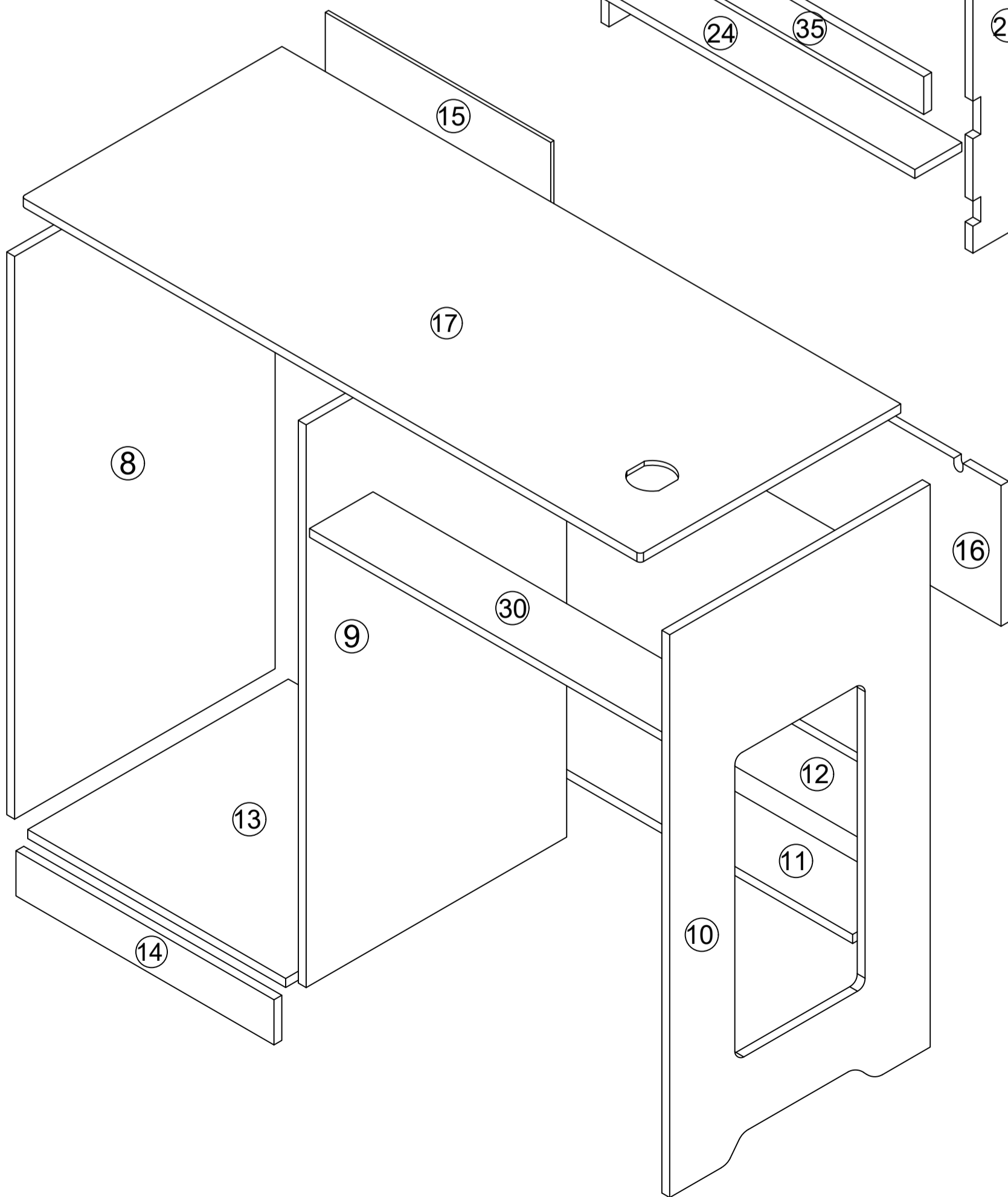
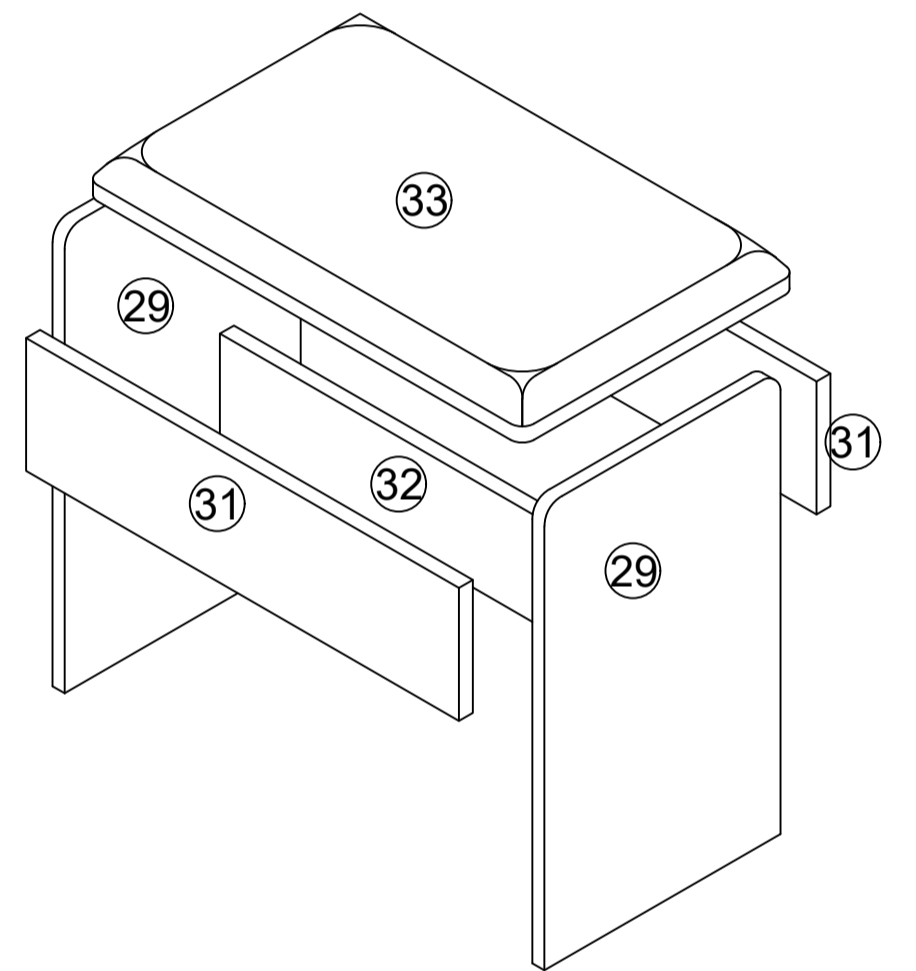
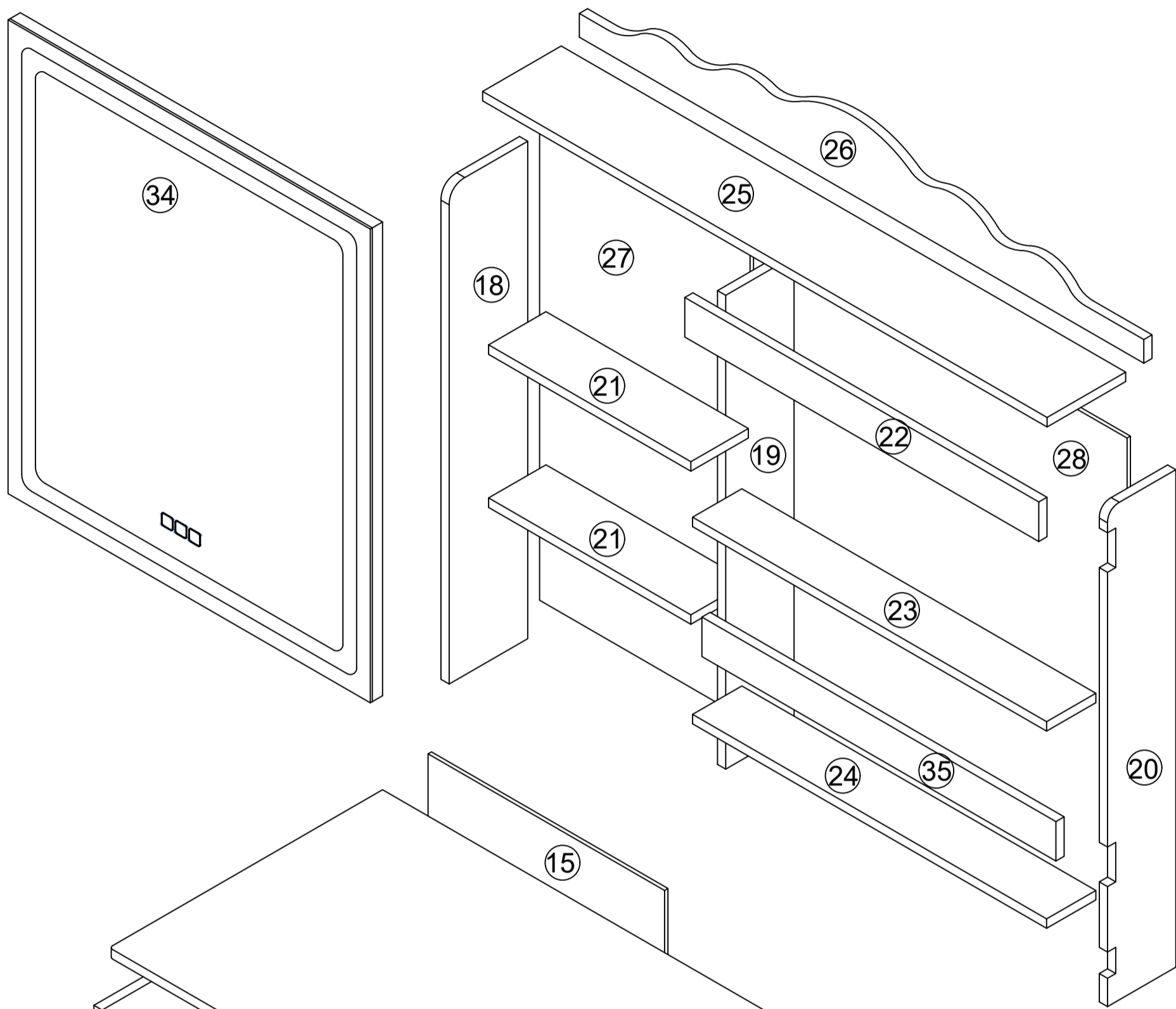


③5 x1



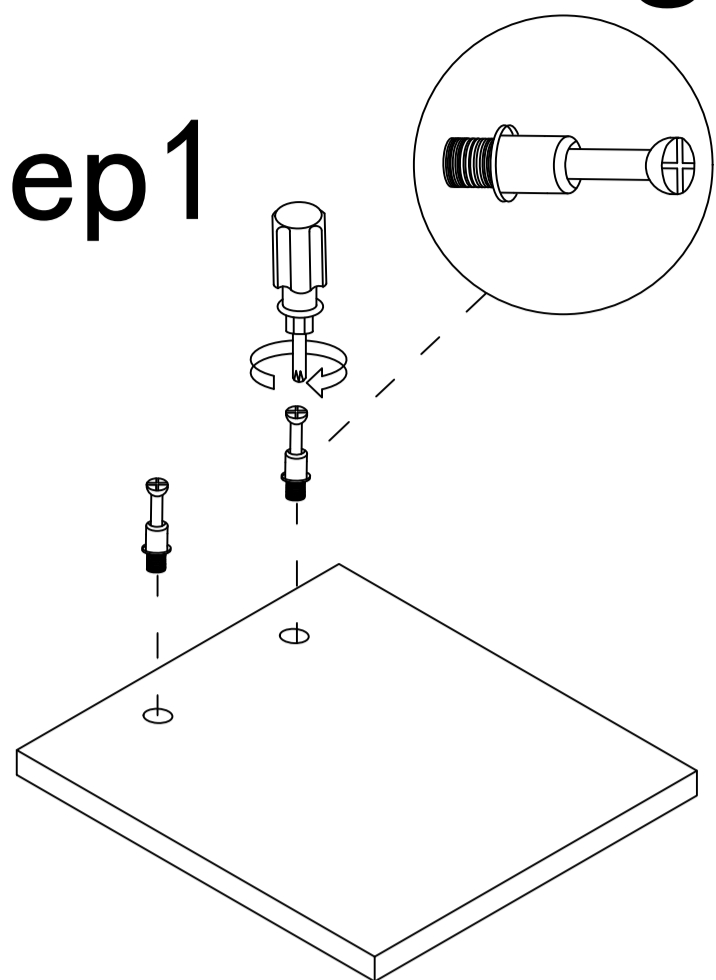
# Accessories list

|   |  |   |         |
|---|--|---|---------|
| A |                 | Two in one screw (6x28mm)                         | 140 Pcs |
| B |                 | Two in one nut (10x12mm)                          | 140 Pcs |
| C | <br>1pcs 2pcs   | Cross machine wire (4x16mm)                       | 5 Pcs   |
| D |                 | Wood chipping (6x30mm)                            | 12 Pcs  |
| E |                 | A3 wireless box                                   | 1 Pcs   |
| F |                 | Protective sticker                                | 6 Pcs   |
| G |               | PVC sticker (60x70mm)                             | 1 Pcs   |
| H |               | Countersunk head tapping screw (4x16mm)<br>gasket | 1 Pcs   |
| I |               | Countersunk head tapping screw (4x45mm)           | 1 Pcs   |
| J |               | anti-tipping tape                                 | 1 Pcs   |
| O |               | Cross screwdriver                                 | 1 Pcs   |
| P |               | The power adapter                                 | 1 Pcs   |
| Q |               | Foot rubber pad (50x10x2mm)                       | 12 Pcs  |
| R | <br>1pcs 5pcs | Screw & Guide(29cm) (3.5x12mm)                    | 10 Pcs  |
| S | <br>1pcs 1pcs | Back plate buckle & Screw (3x16mm)                | 16 Pcs  |
| T |               | Remote control                                    | 1 Pcs   |
| U |               | Hooking (4x16)                                    | 2 Pcs   |
| V | <br>1pcs 2pcs | Iron gasket & Self tapping screw(3.5x12)          | 1Pcs    |
| W |               | Needle  | 2Pcs    |

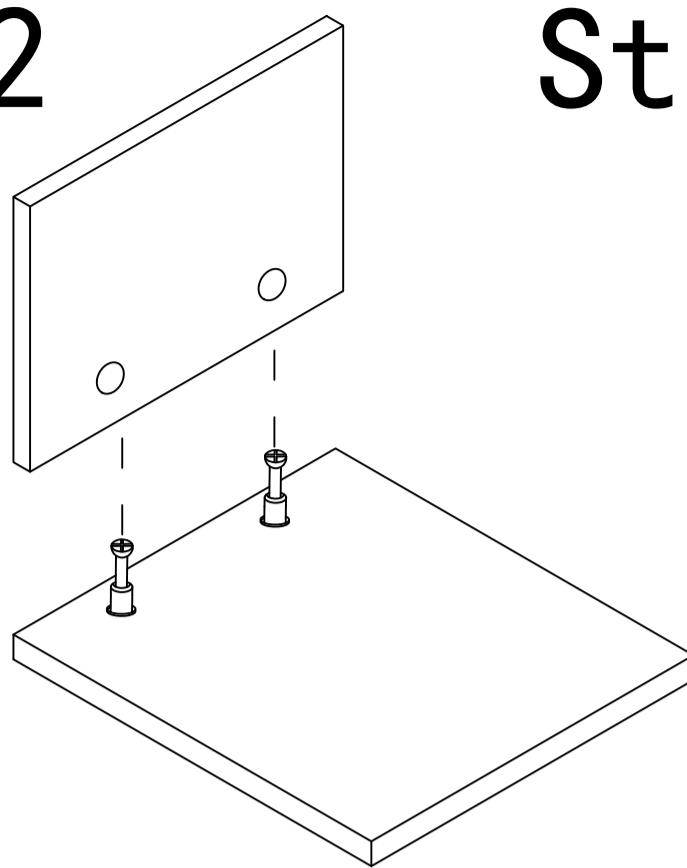


# Use parts ① and ②

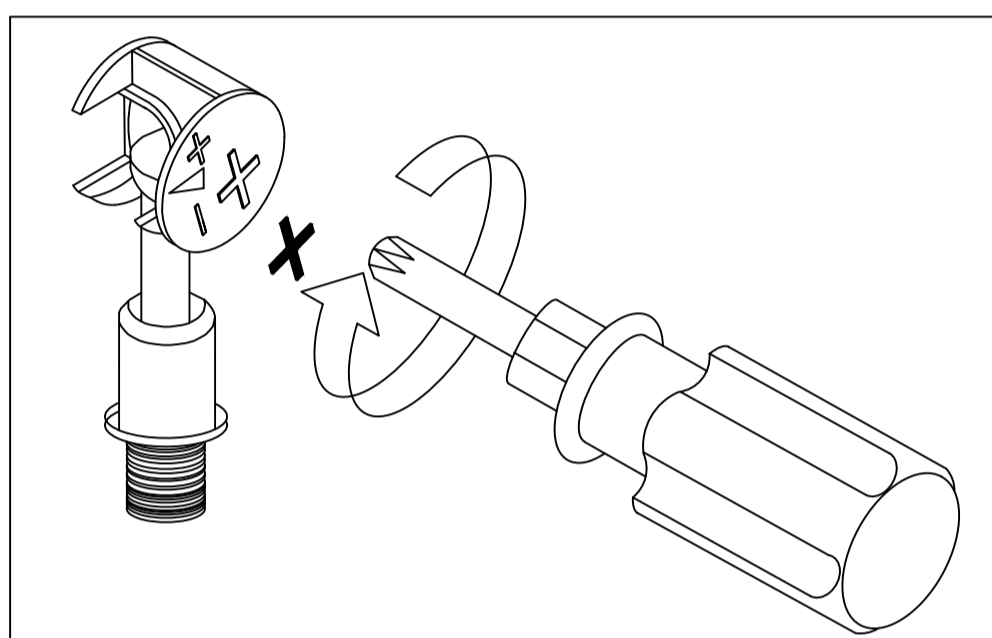
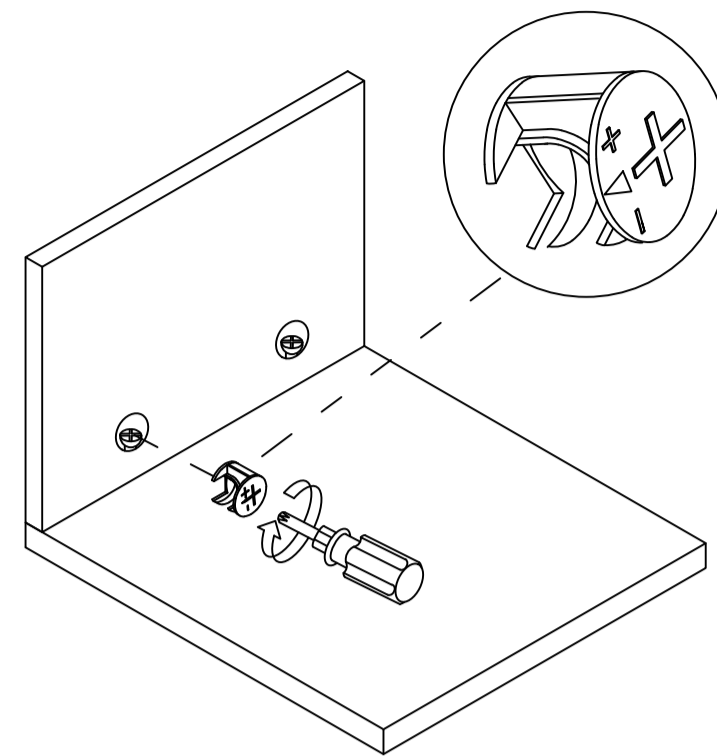
## Step 1



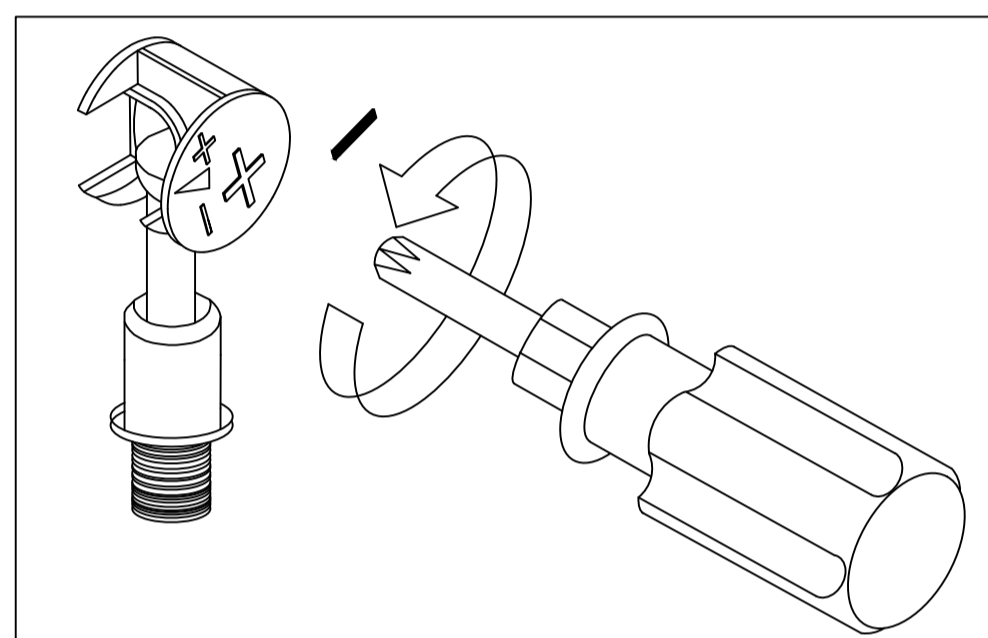
## Step 2



## Step 3



Use a screwdriver to lock in the direction of the "+" sign



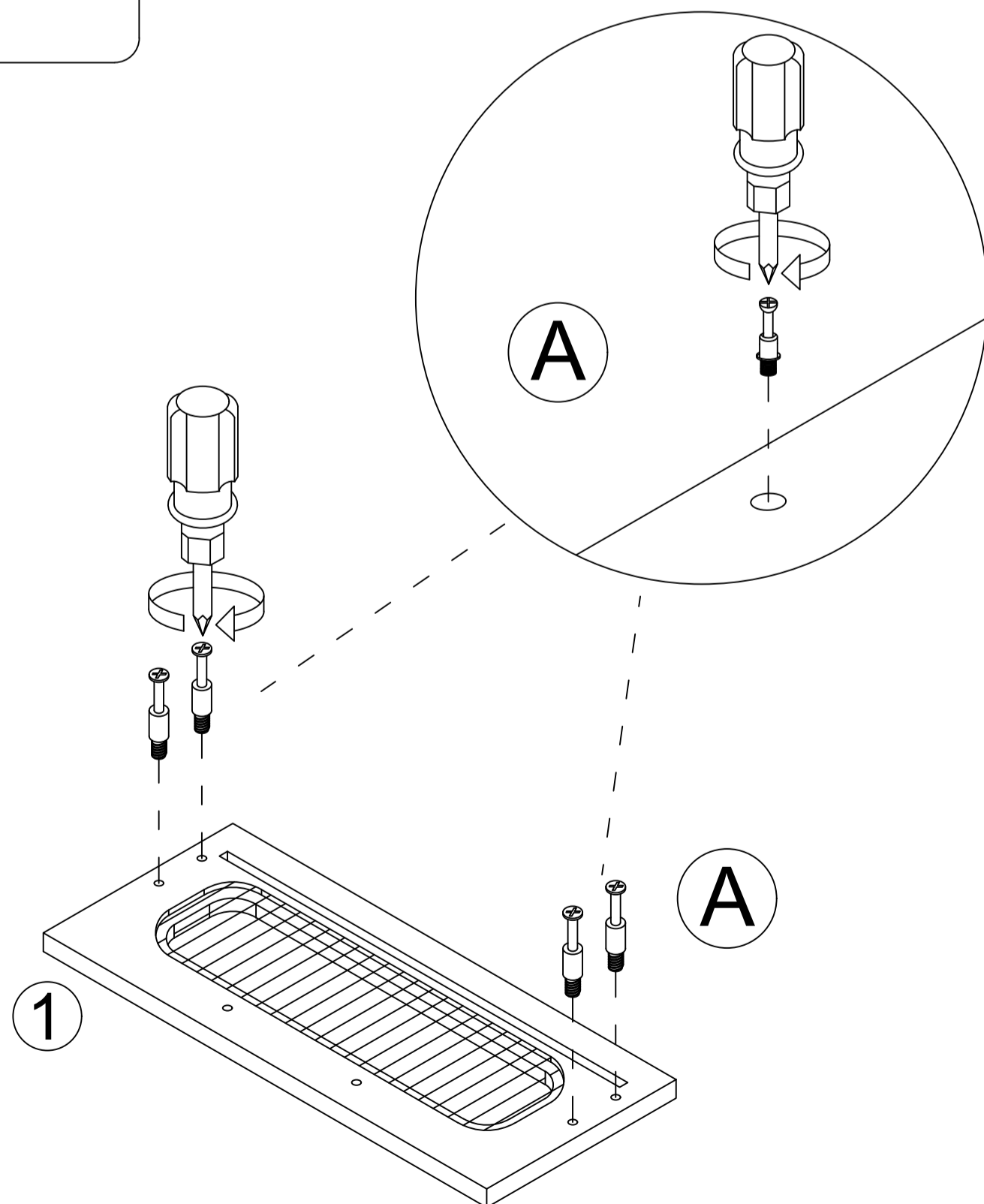
Disassemble along the direction of "-" sign

## Step 1

A

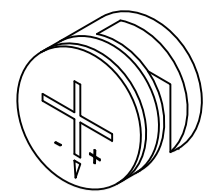


x 4

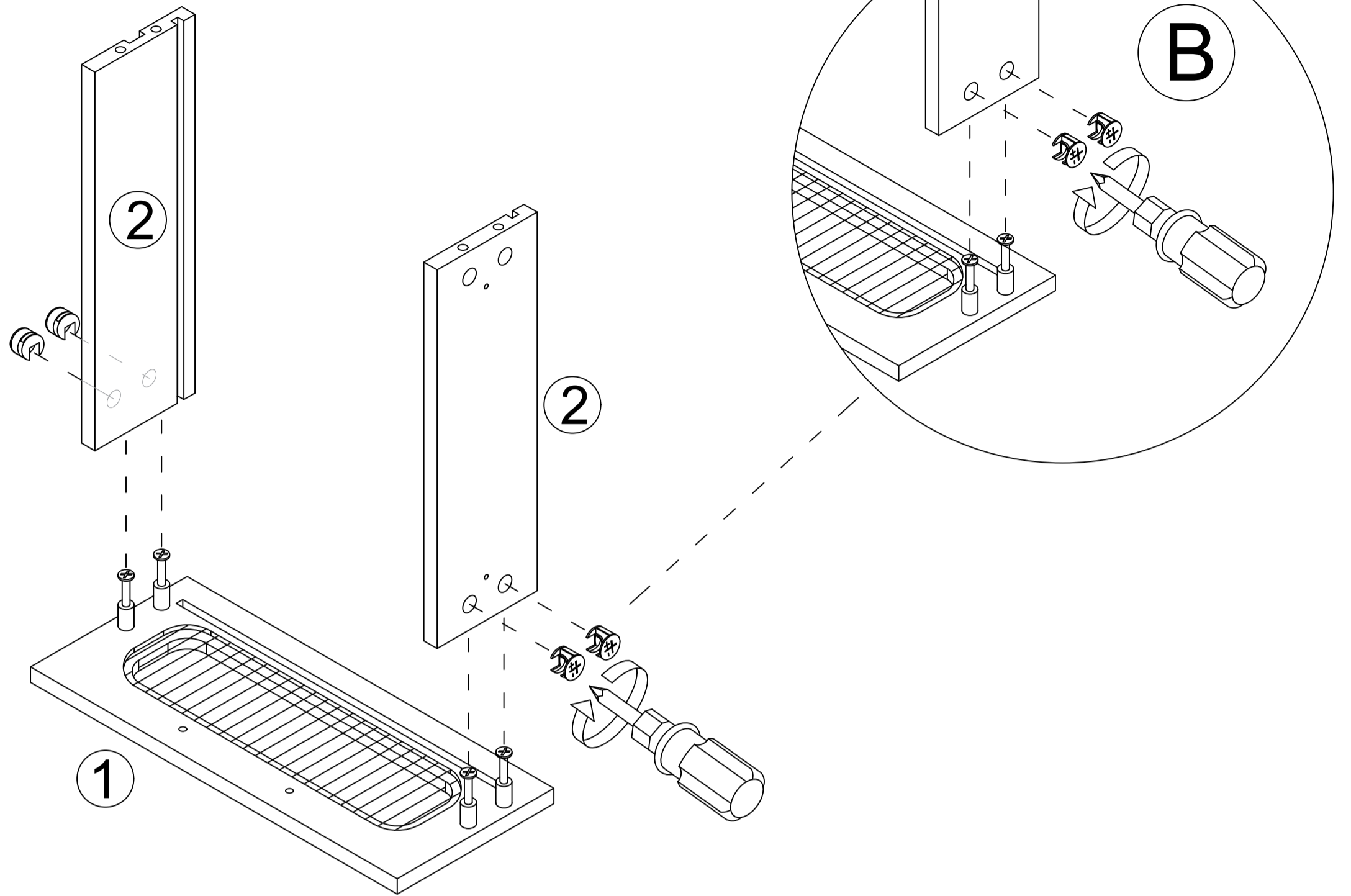


# Step 2

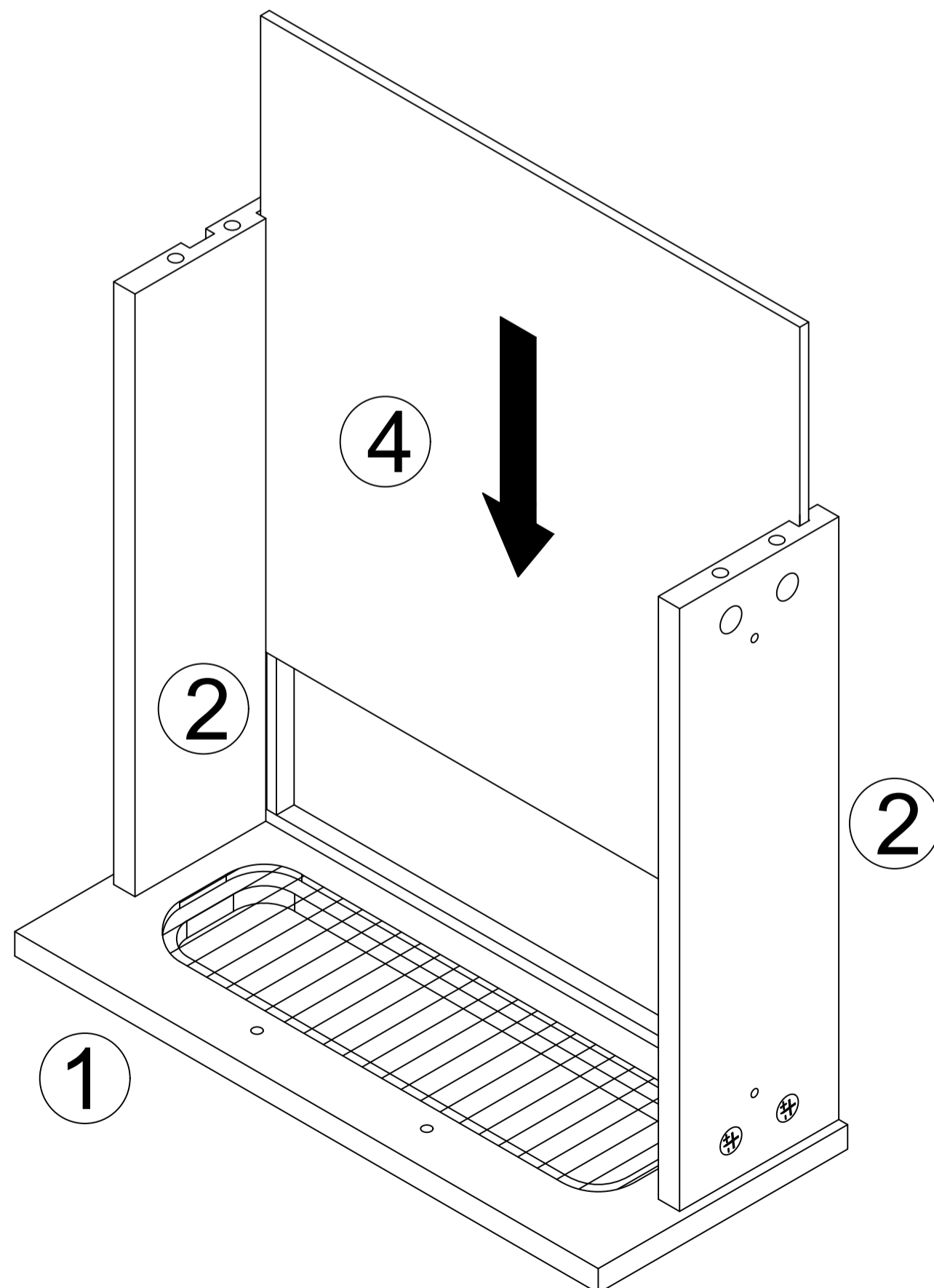
**B**



x 4

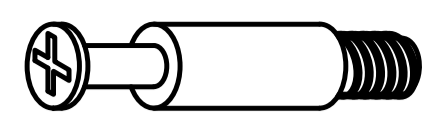


# Step 3

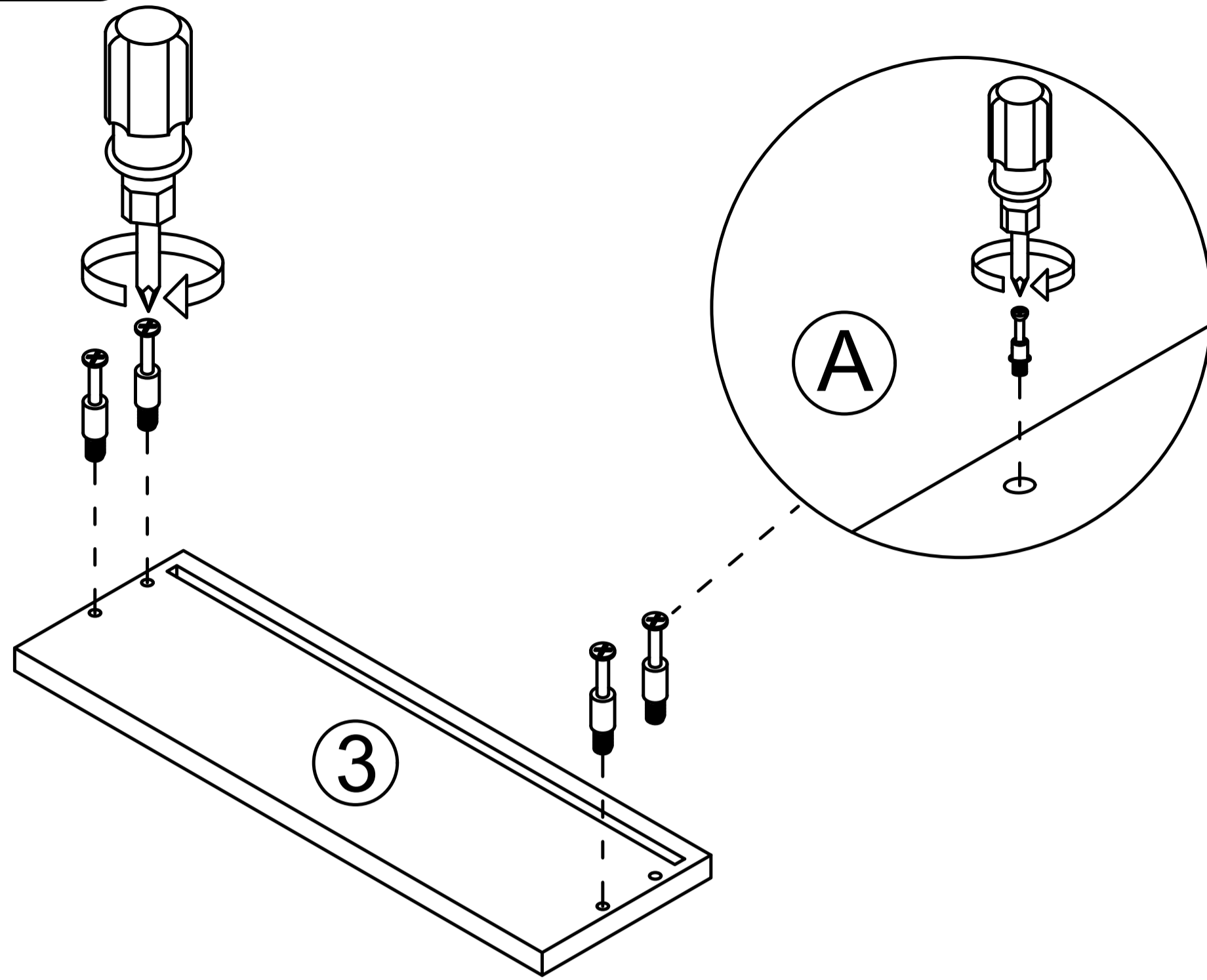


# Step 4

A



x 4

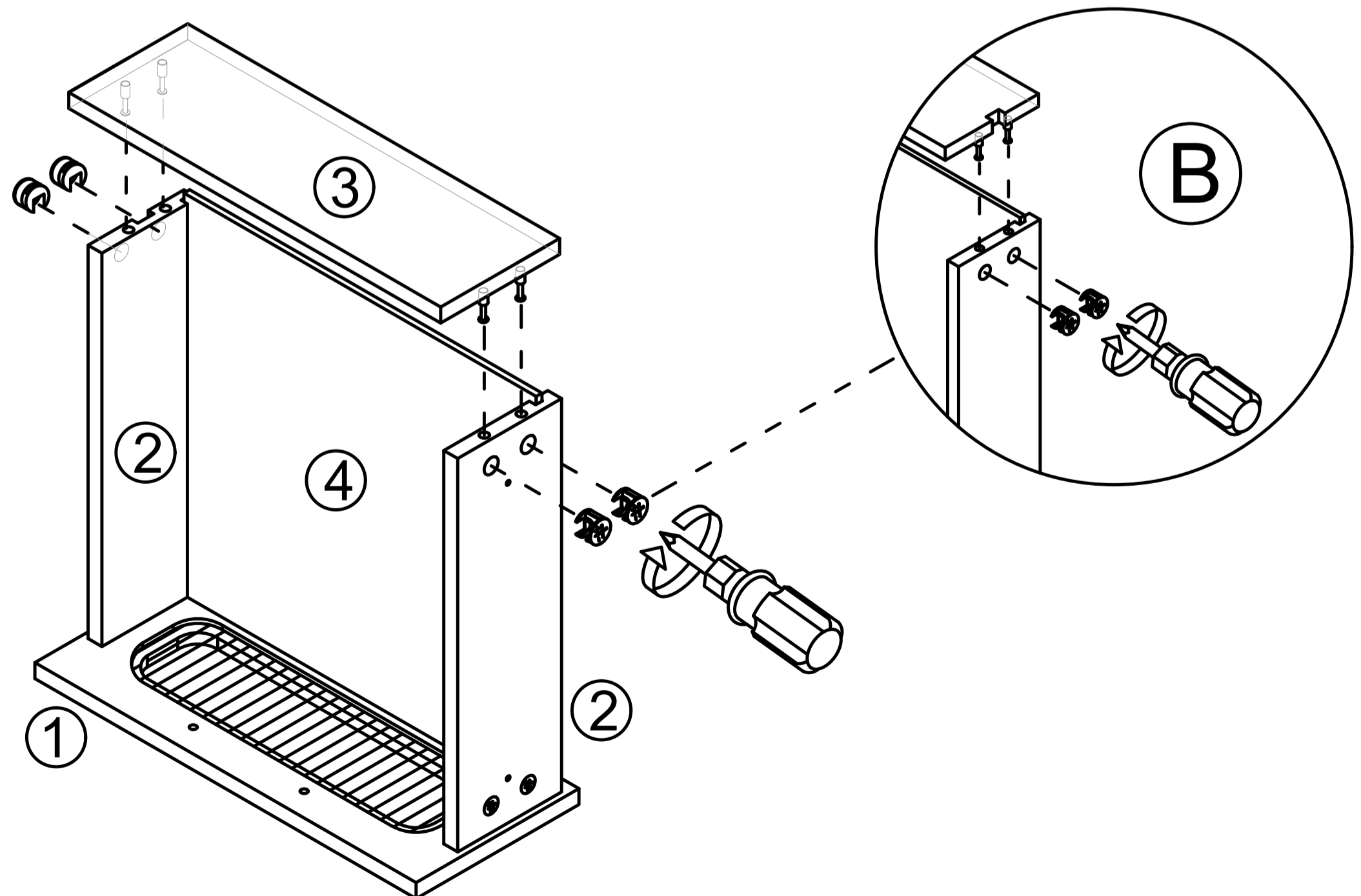


# Step 5

B

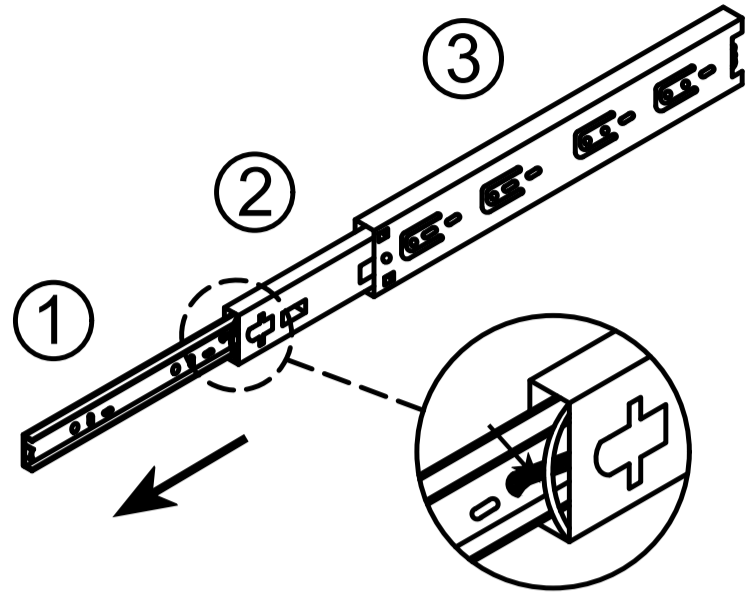


x 4

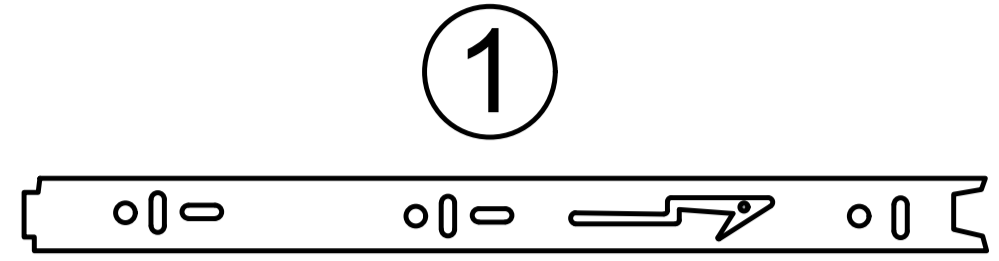


# Step 6

Exploded view of drawer guide rail

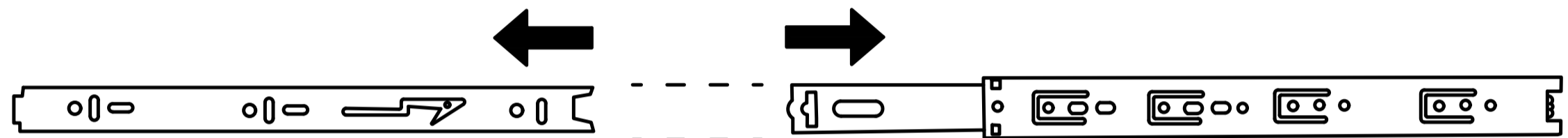


Step 1 : Pull the rails apart  
 Step 2 : Push the nylon buckle outward ①



②

③

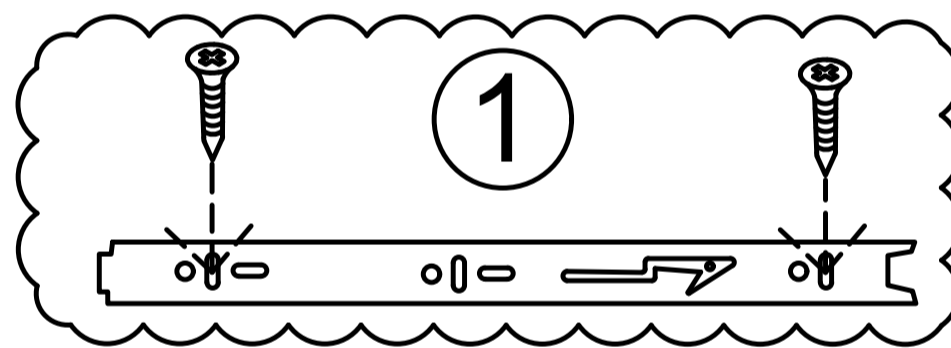






①

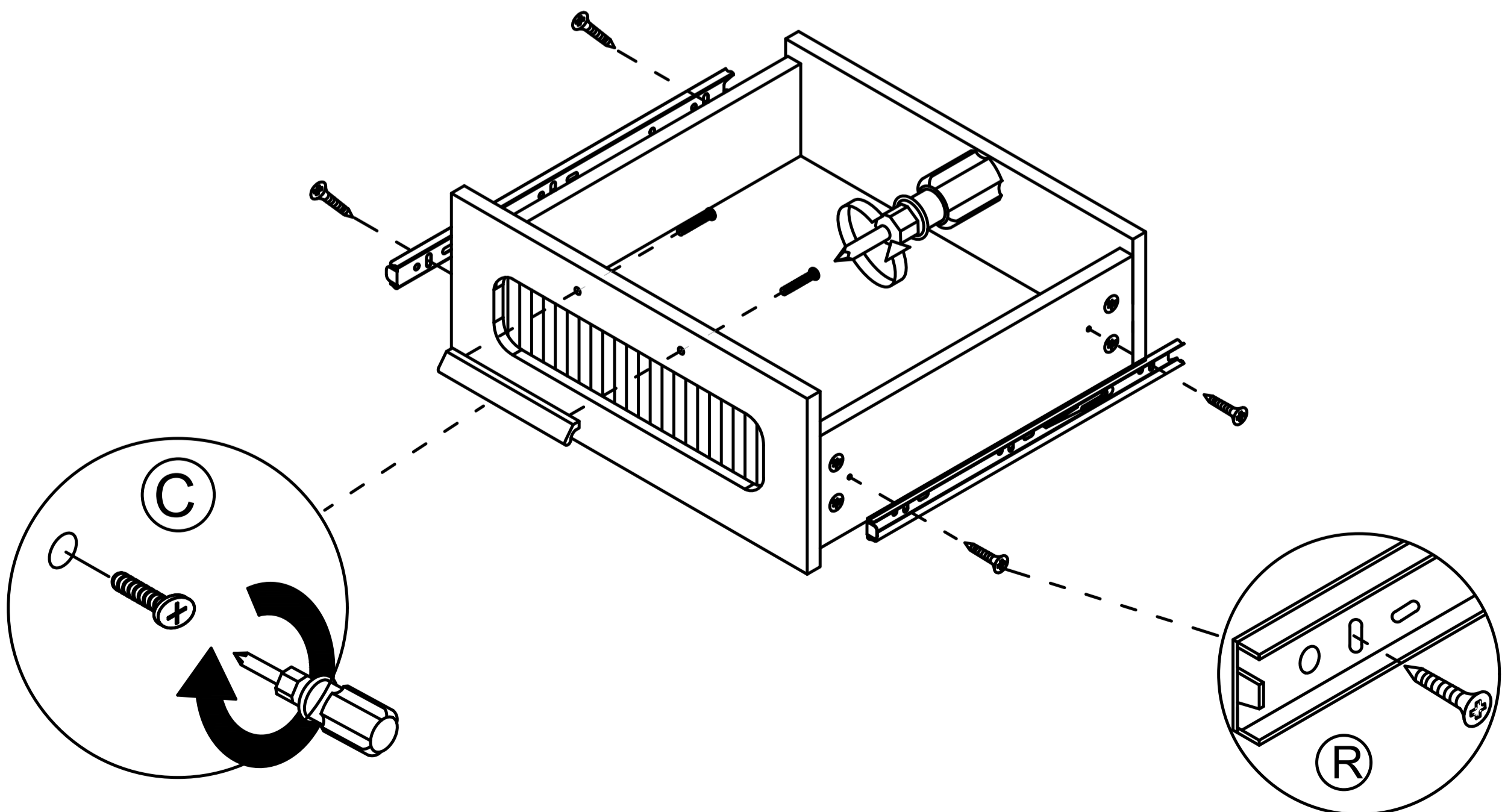
②

③

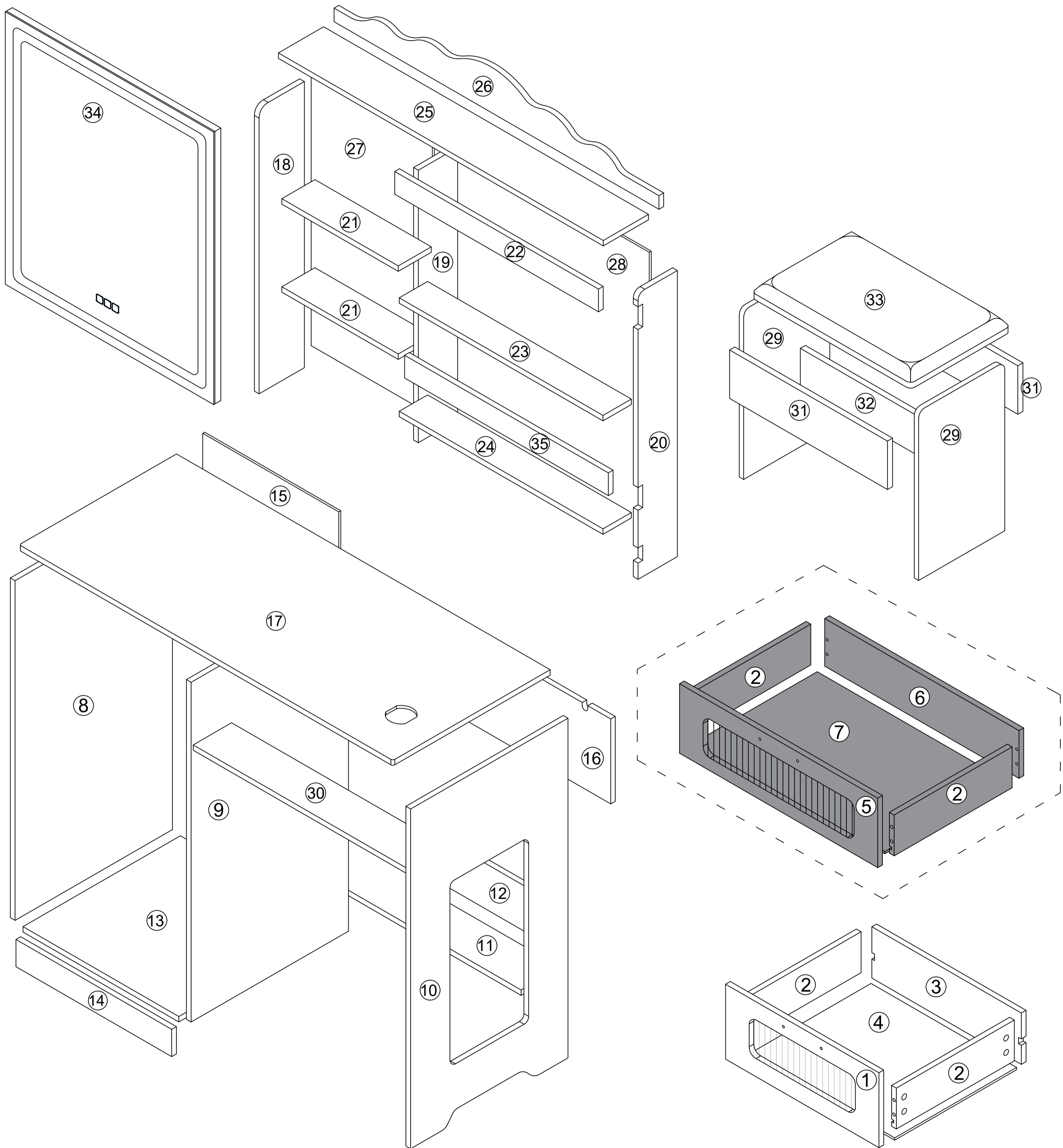
# Step 7



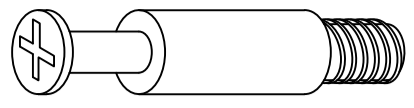
|   |   |   |   |
|---|---|---|---|
| C | <br>1pcs | <br>2pcs | x 4   |
| R | <br>x2   |   | <br>x4 |

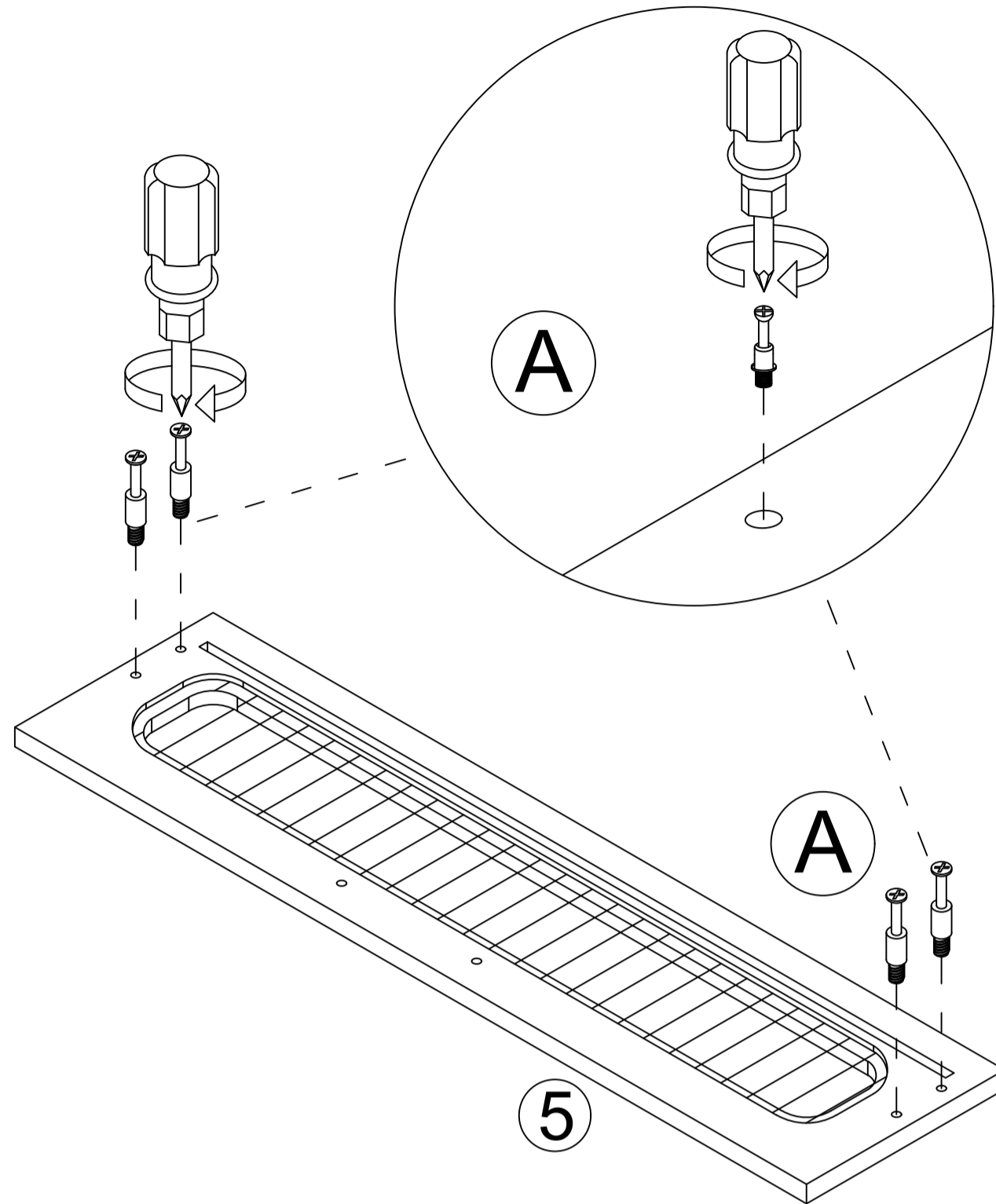


Repeat steps One to Seven four times



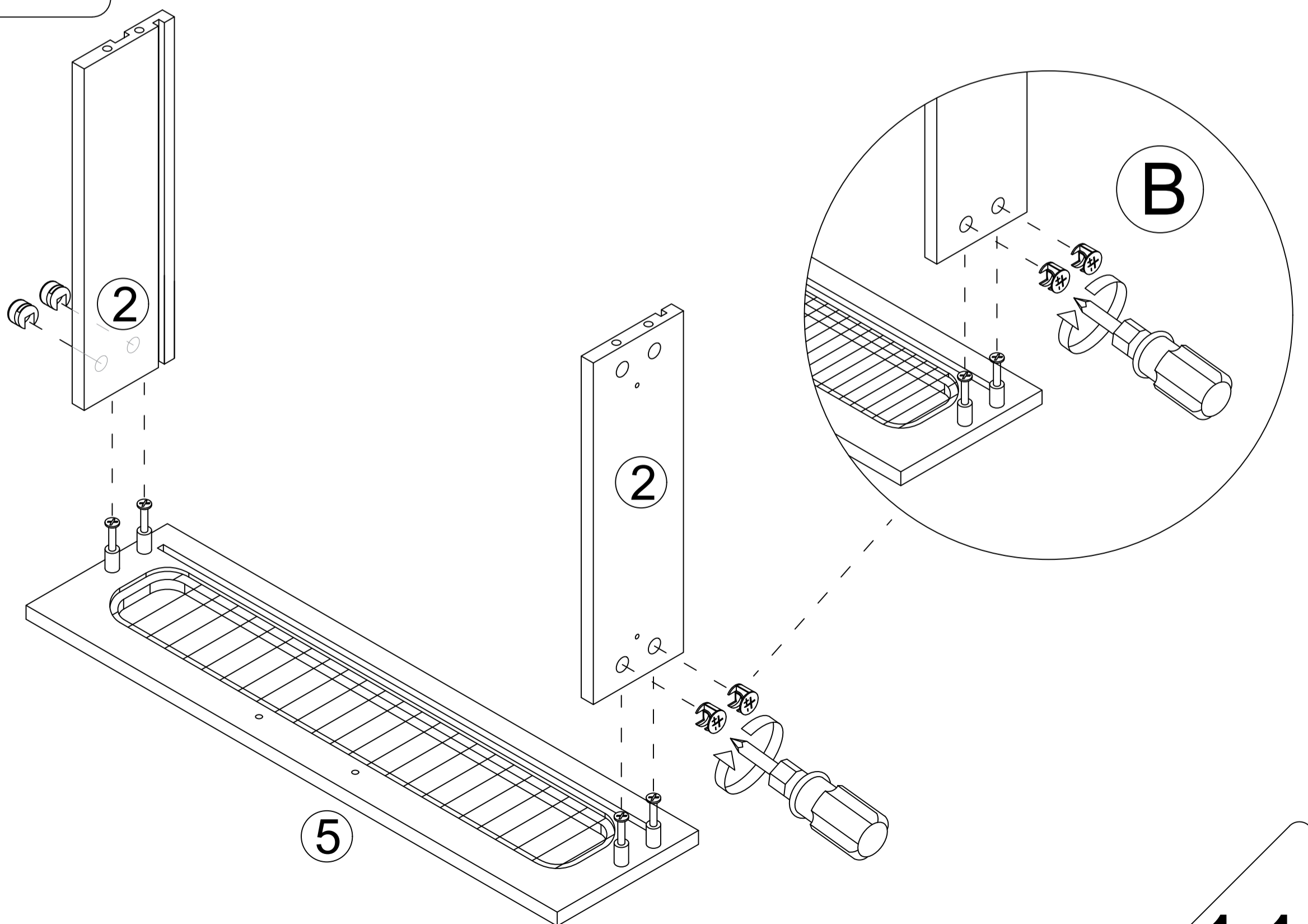
# Step 8

**A**  x 4

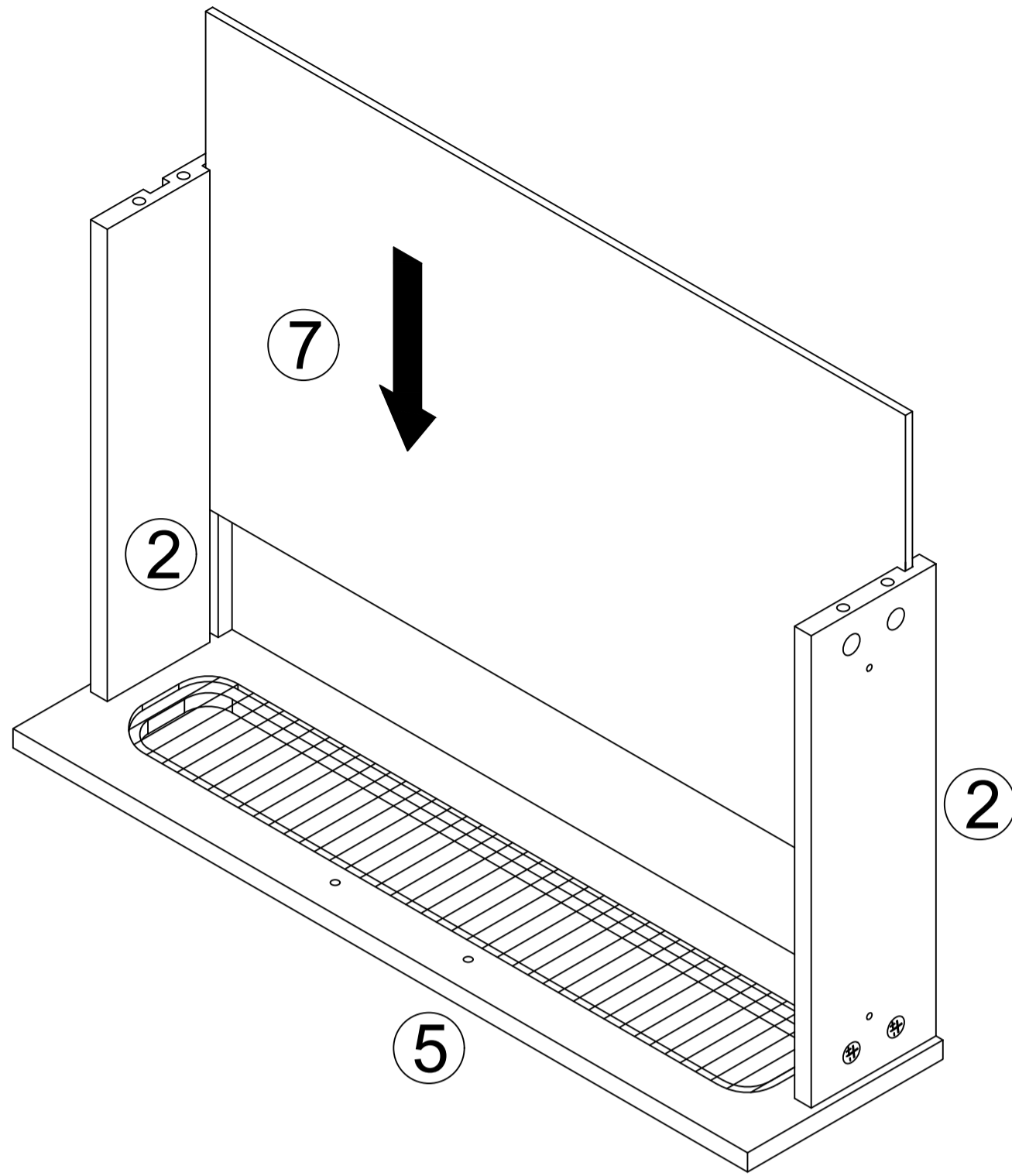


# Step 9

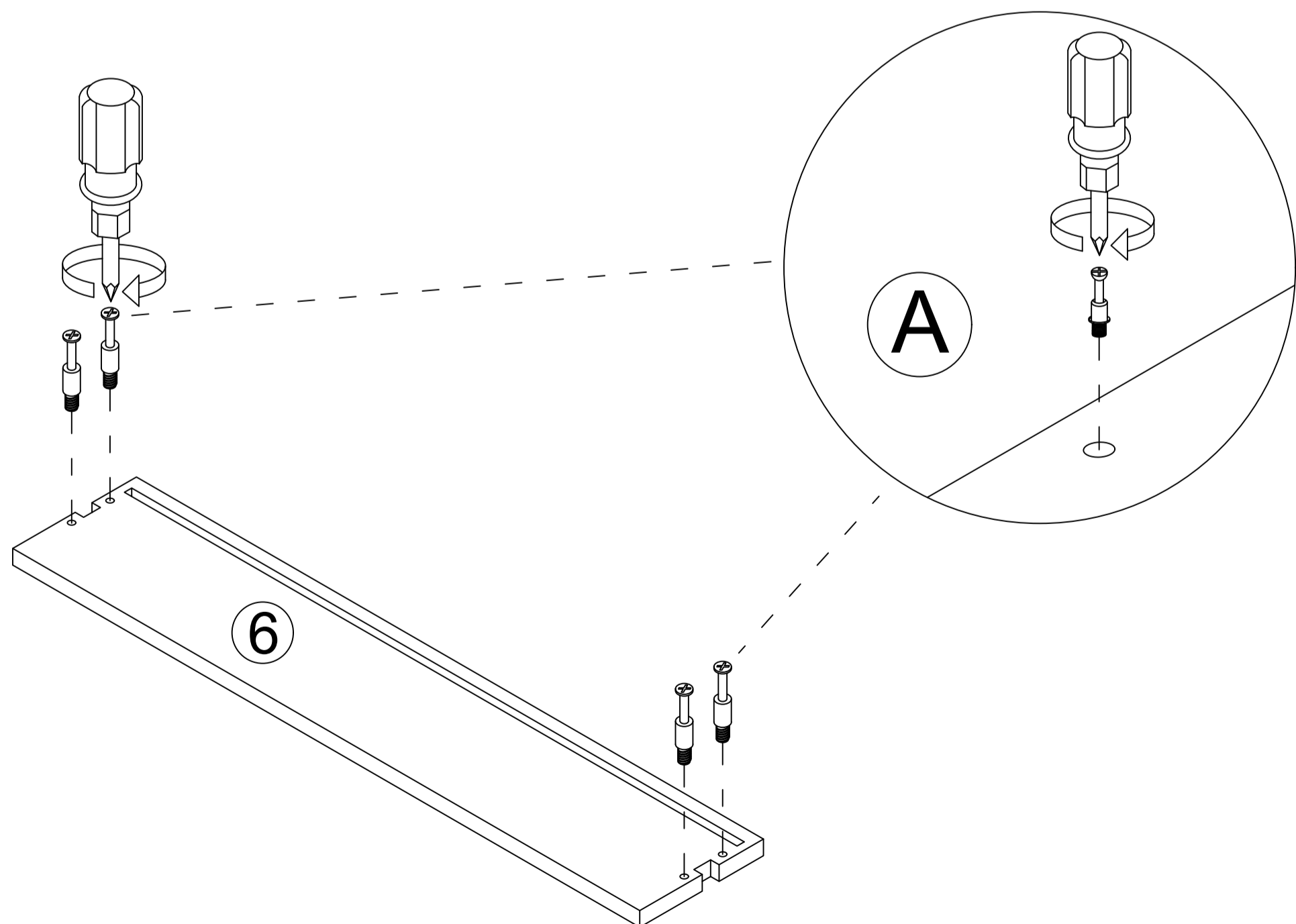
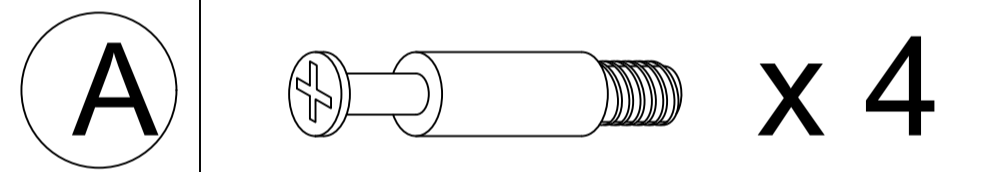
**B**  x 4



# Step 10



# Step 11

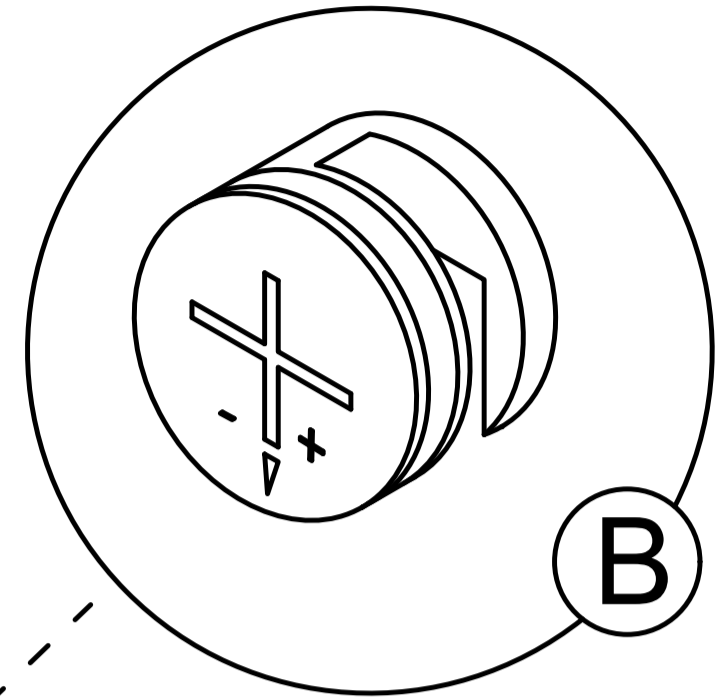
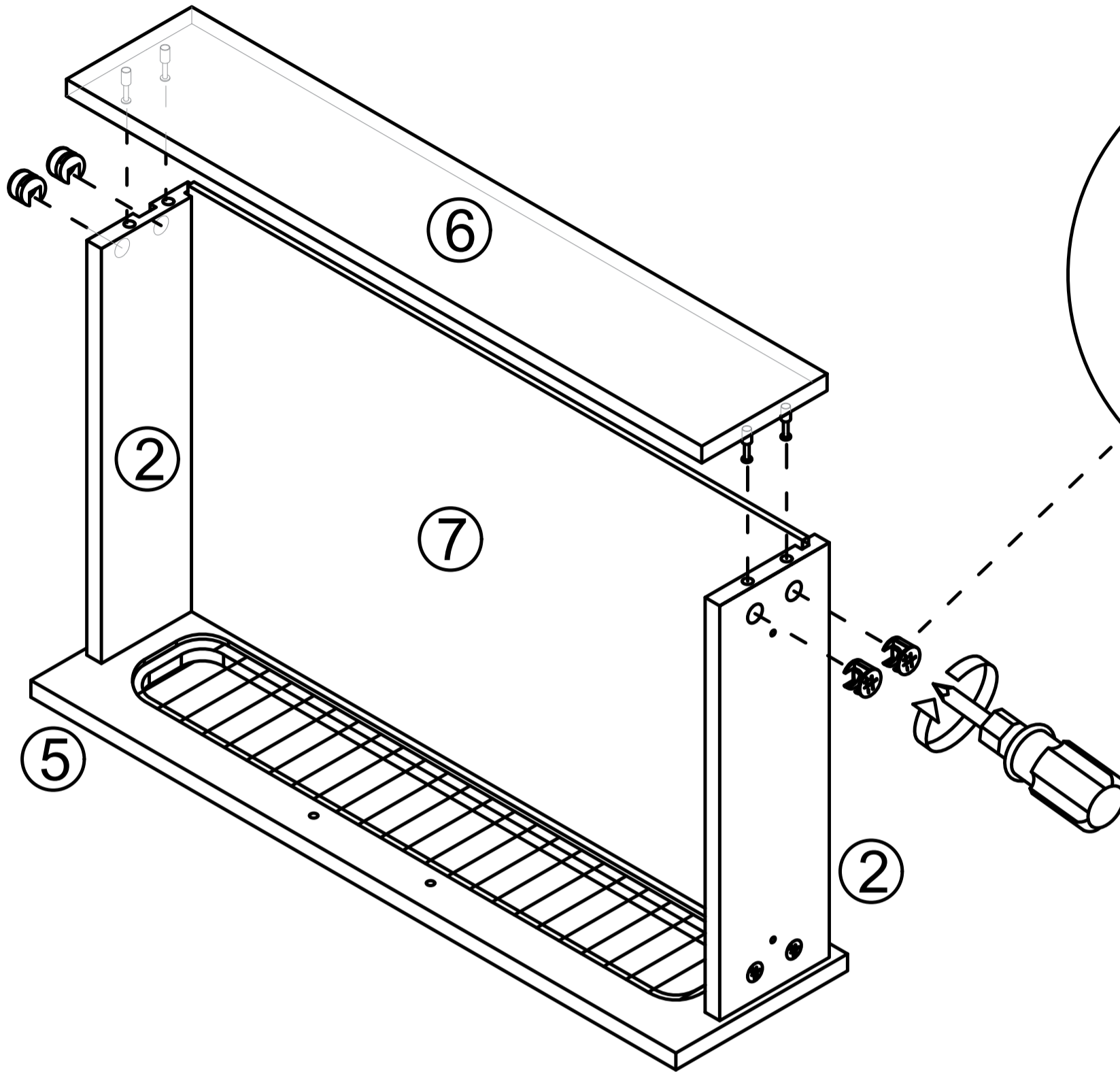


# Step 12

(B)

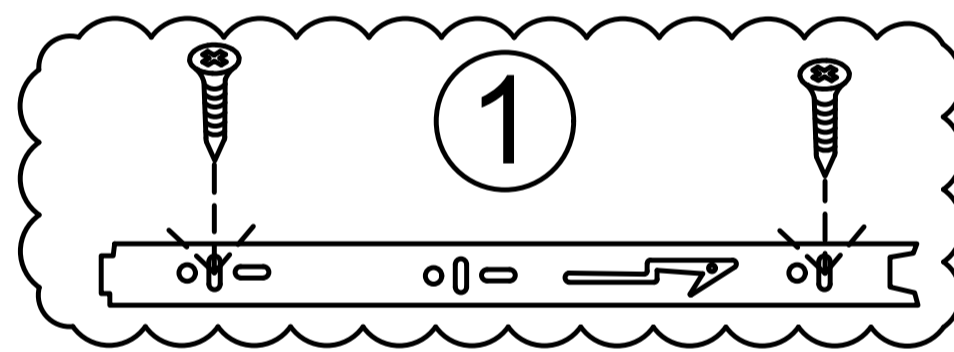


x 4

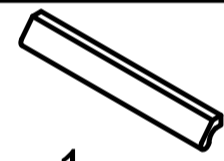


(B)

# Step 13



(C)



1pcs



2pcs

x 4

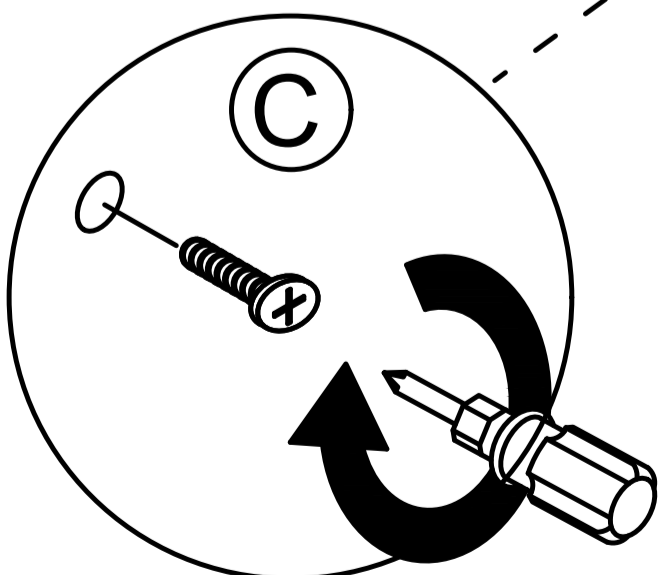
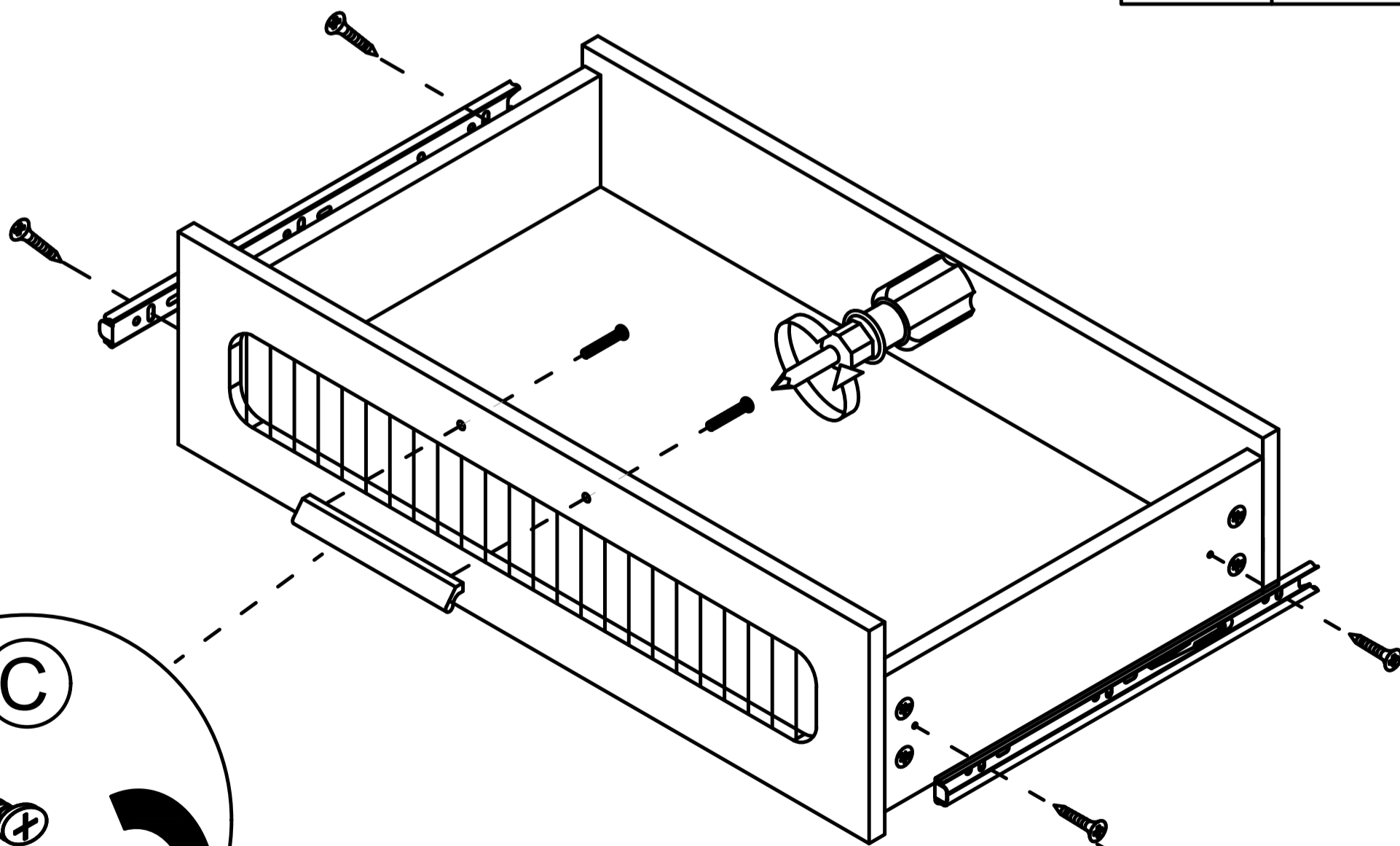
(R)



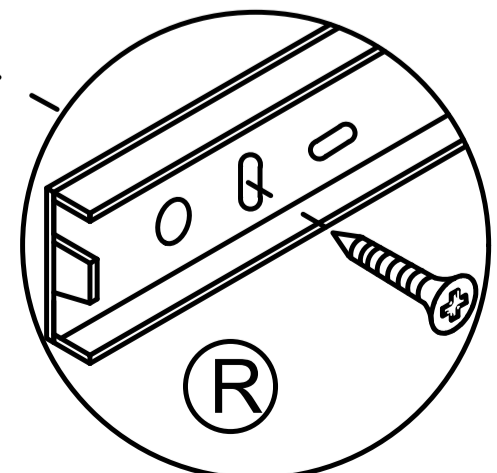
x2



x4

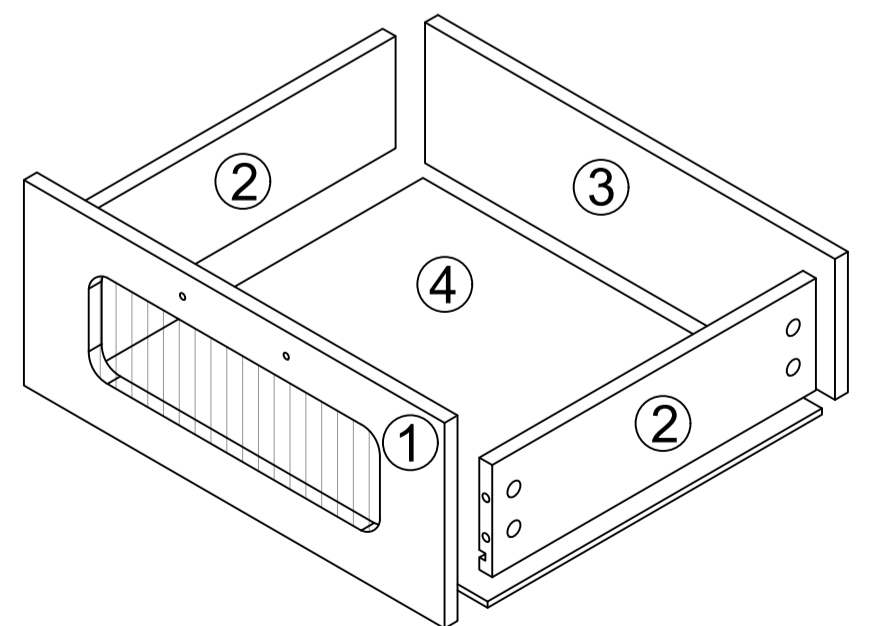
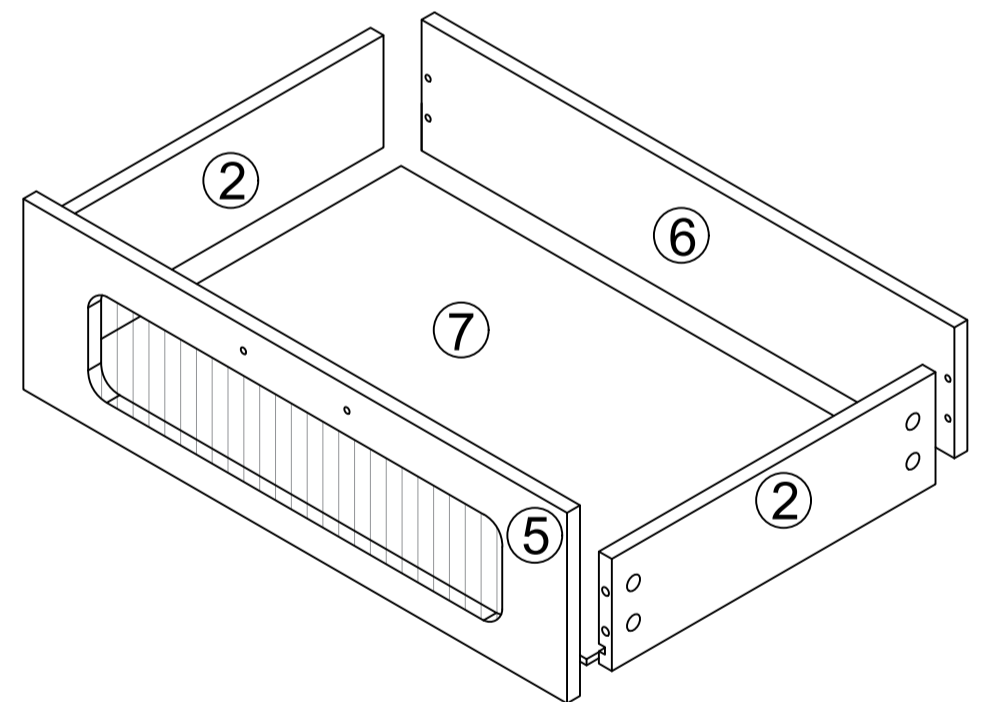
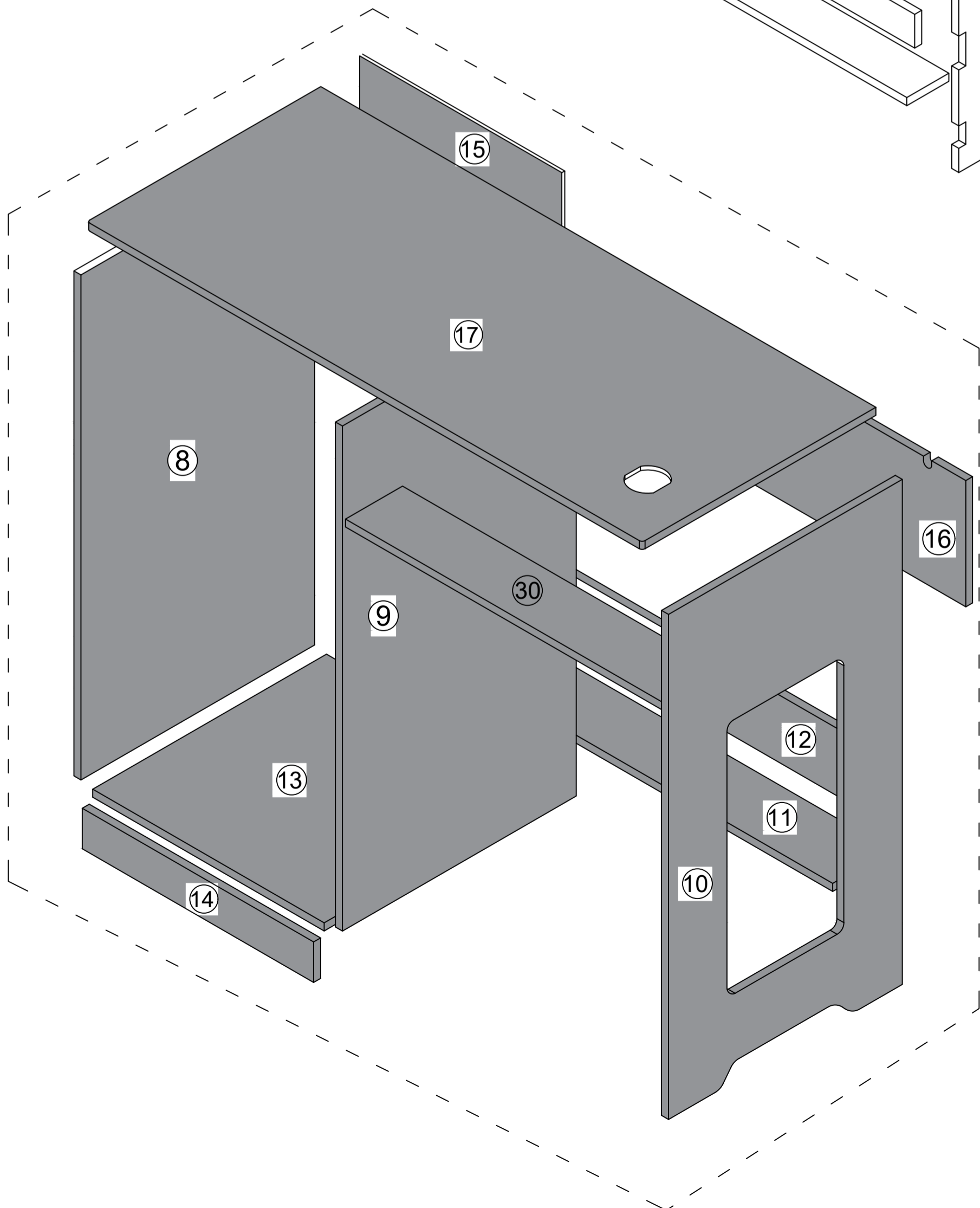
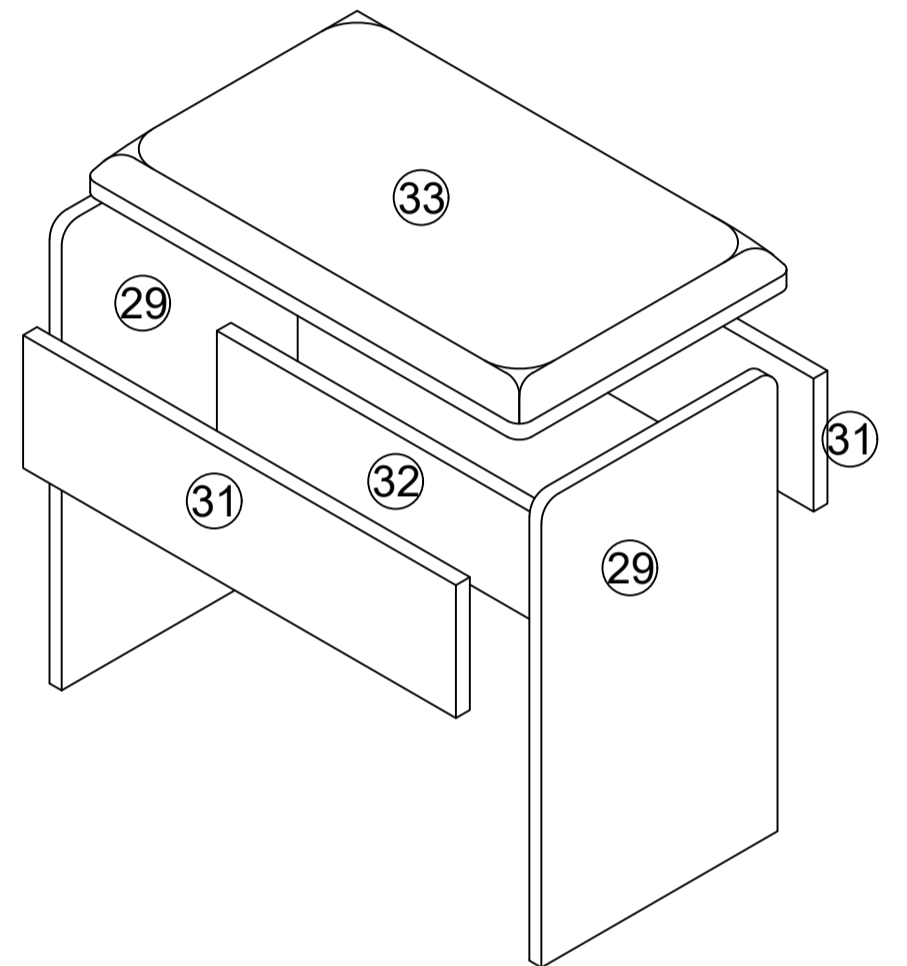
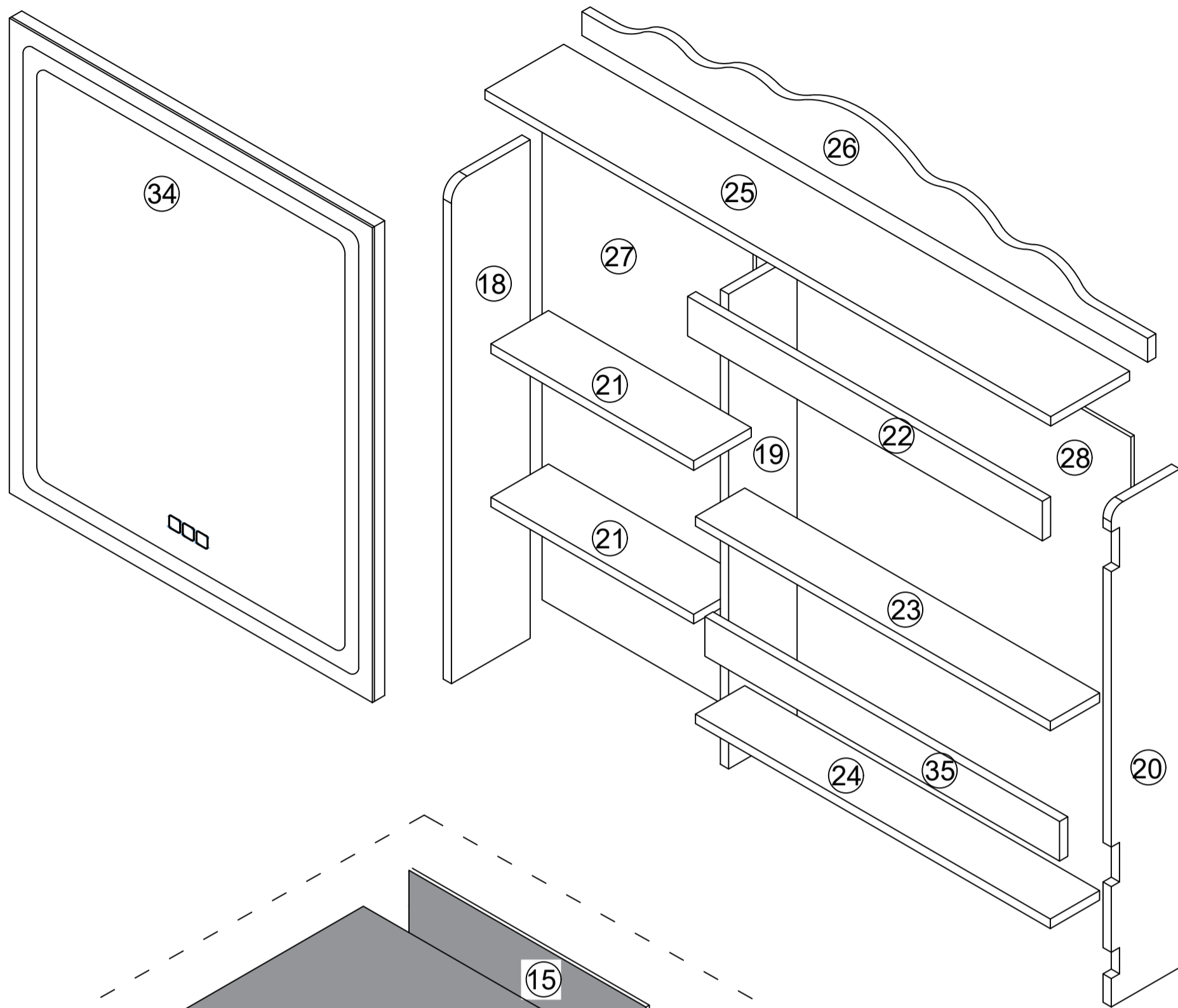


(C)



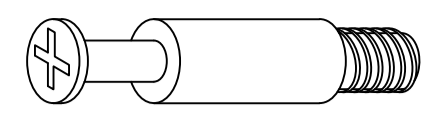
(R)

13

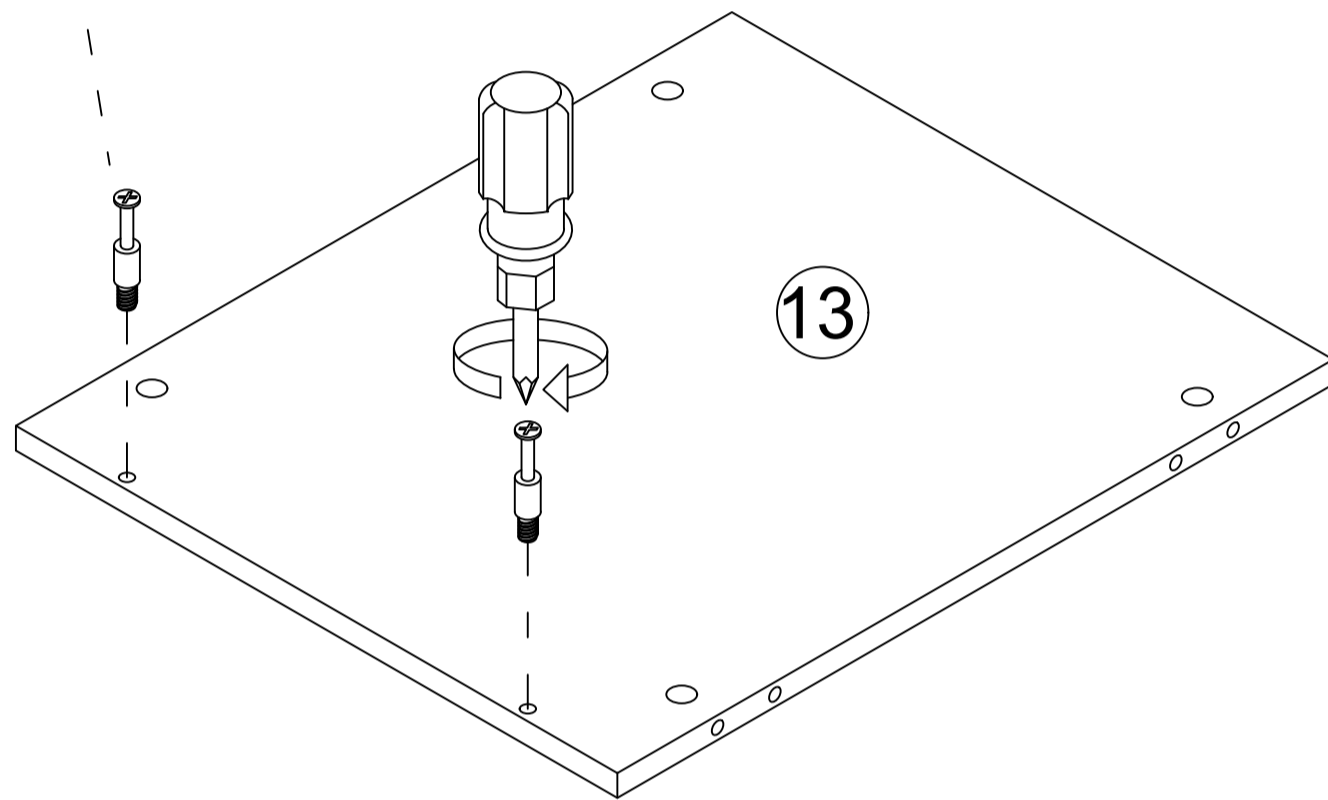
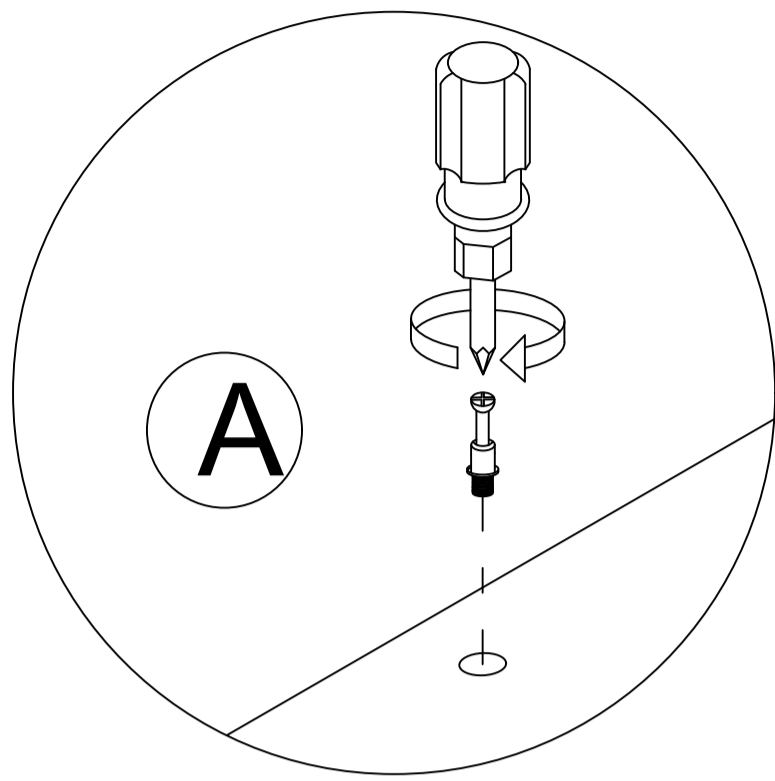


# Step 14

A

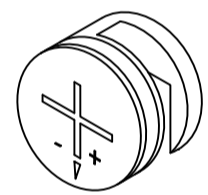


x 2

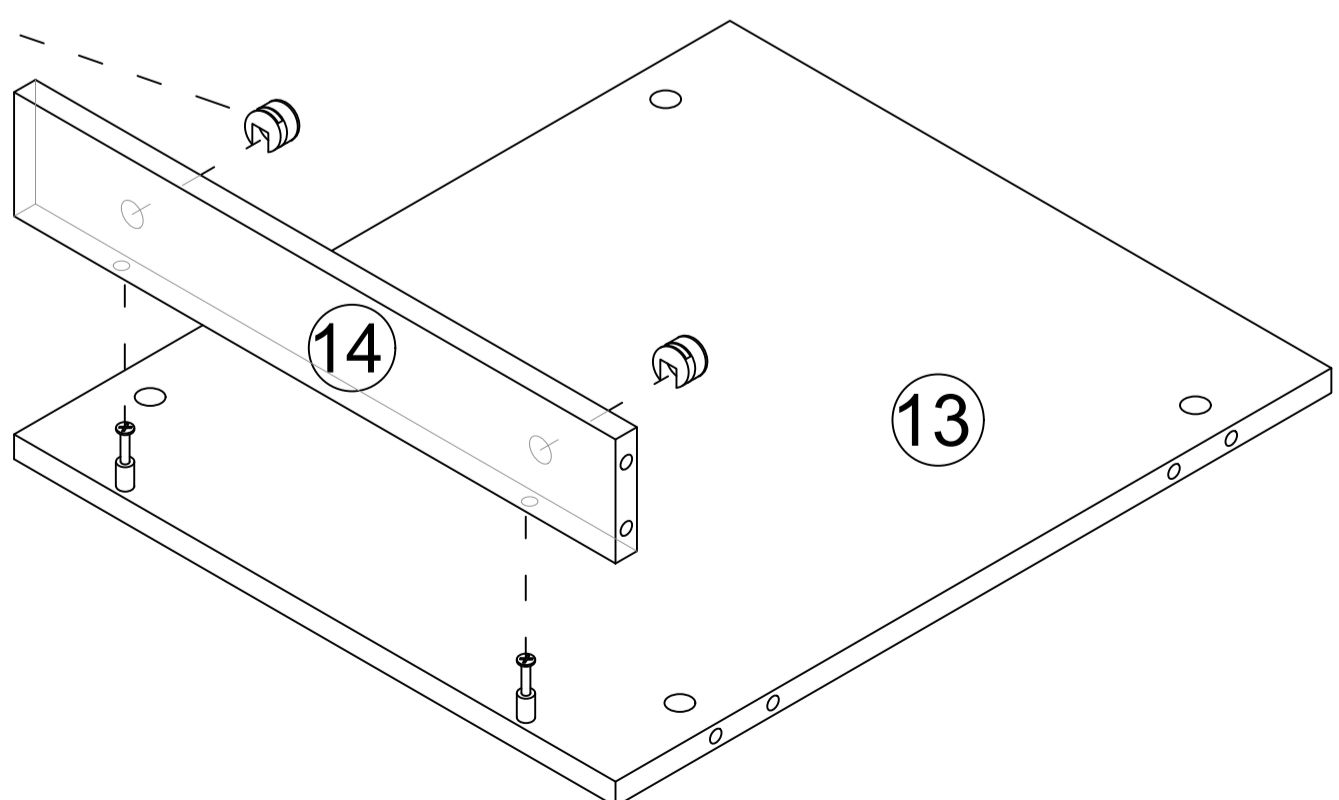
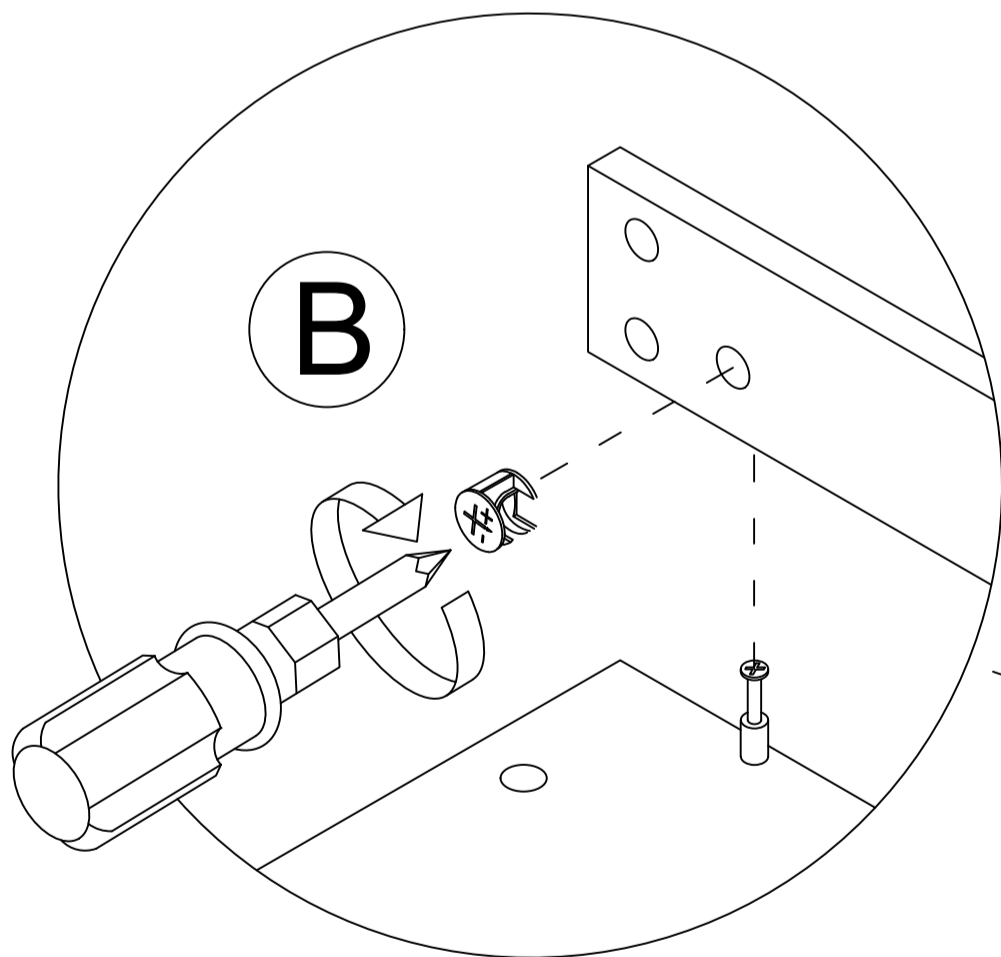


# Step 15

B

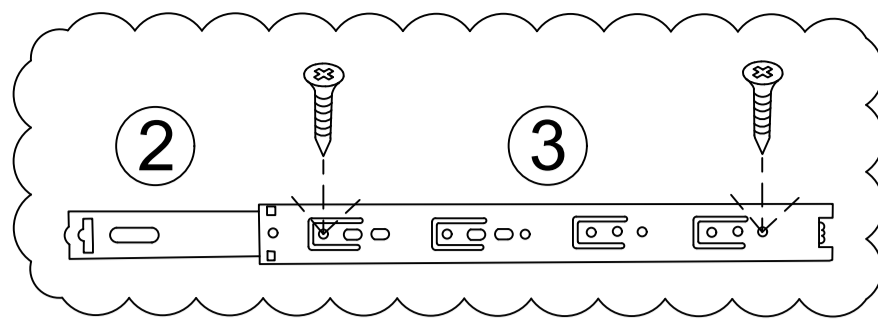


x 2

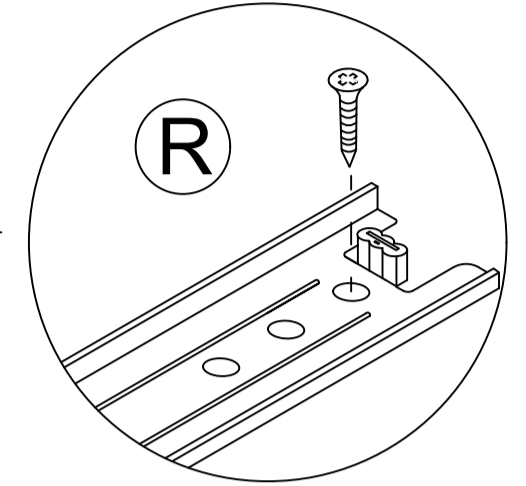
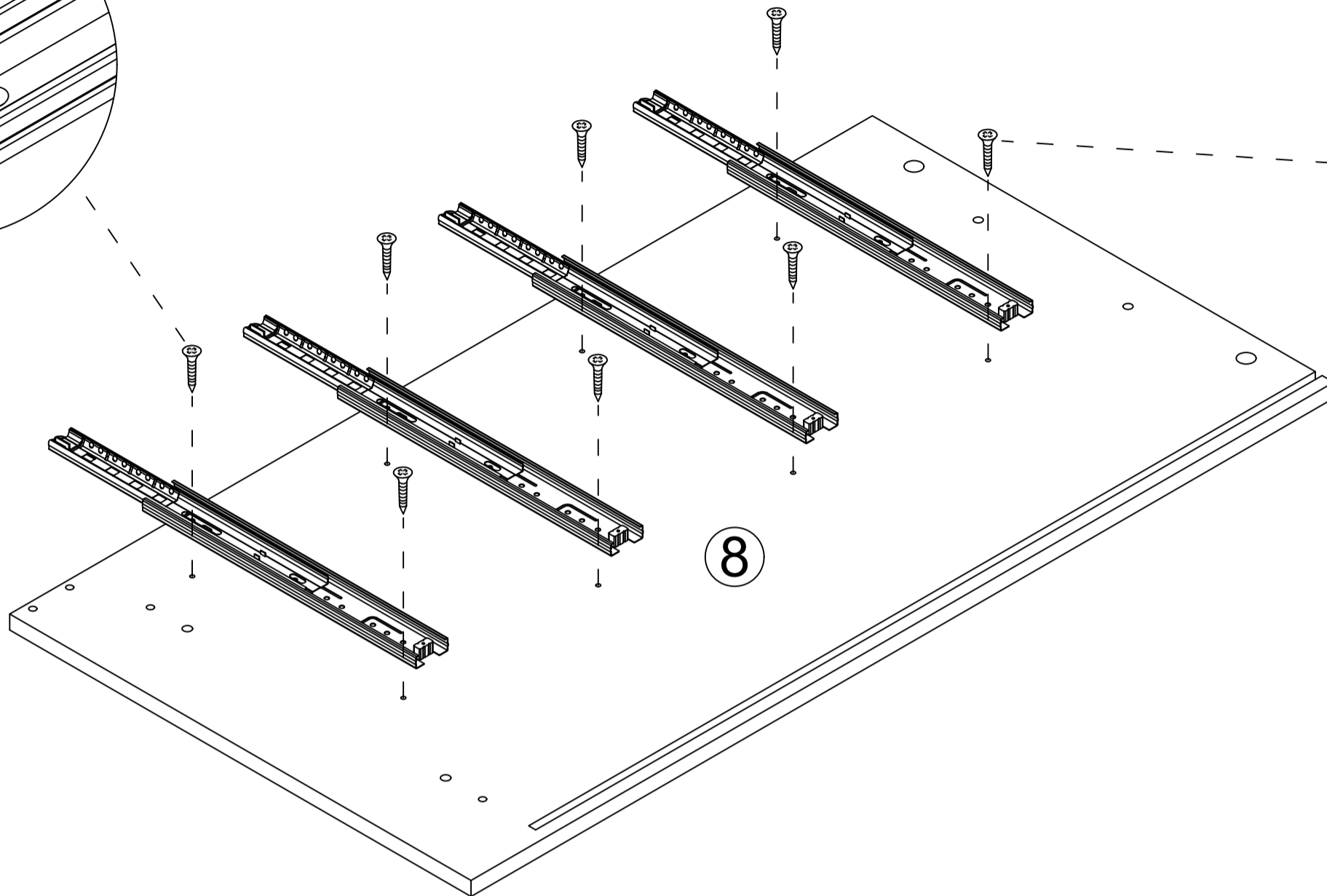
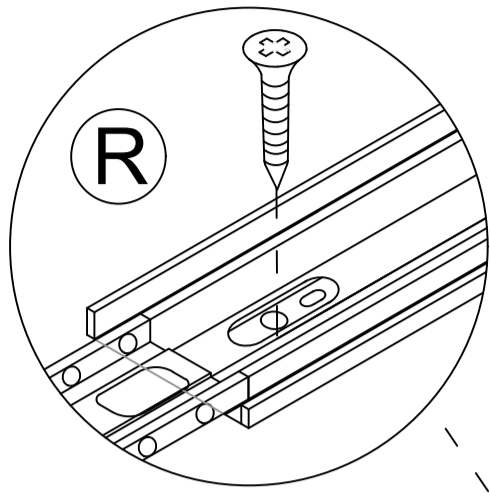
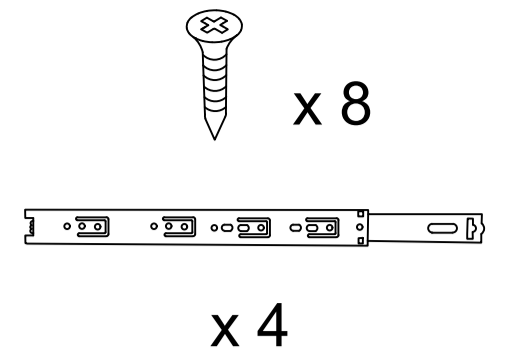


15

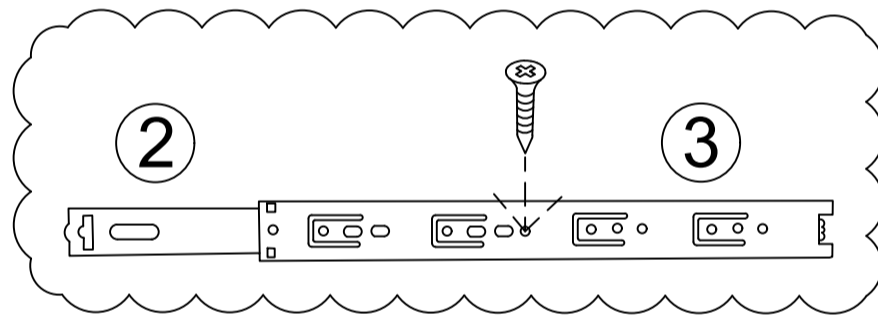
# Step 16



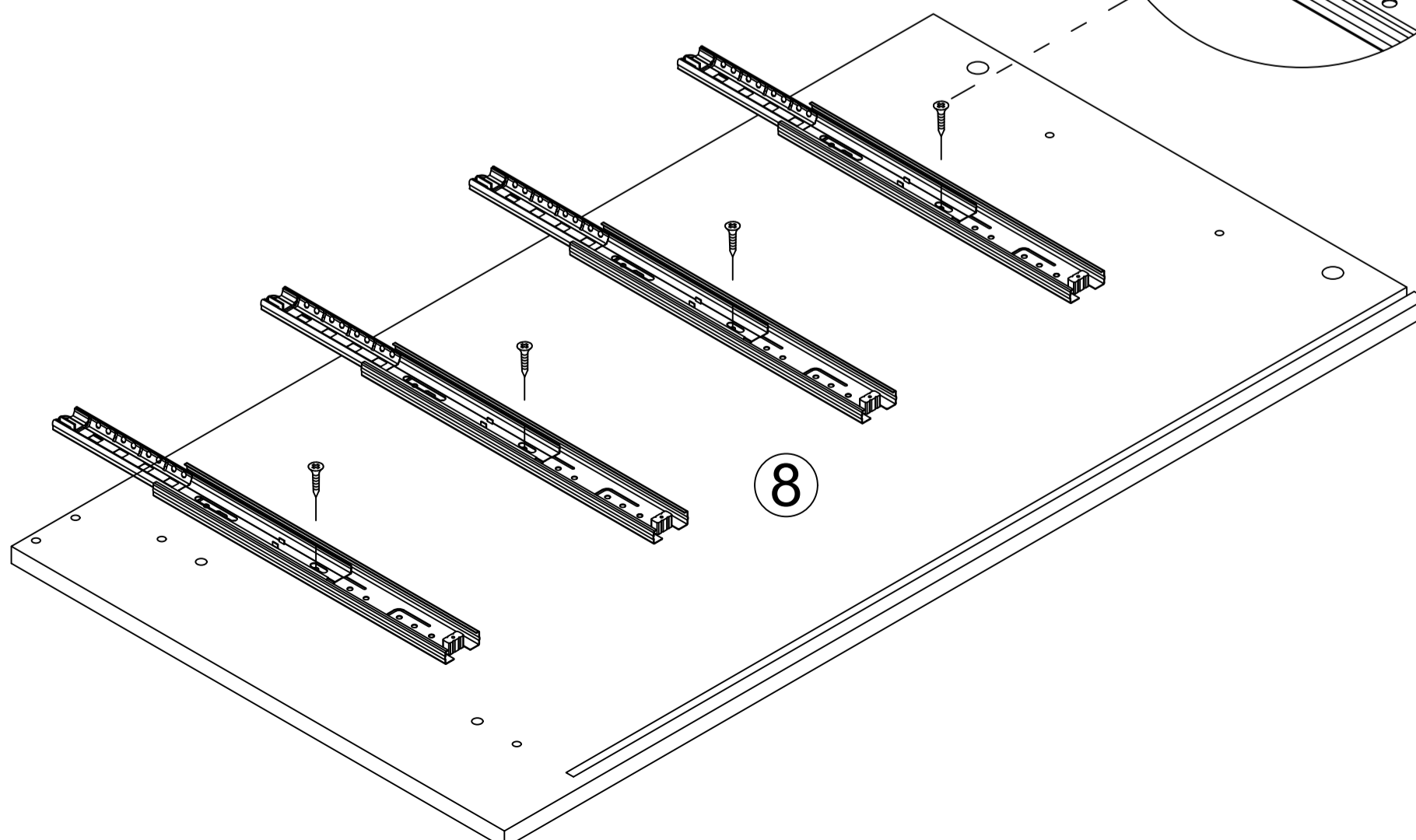
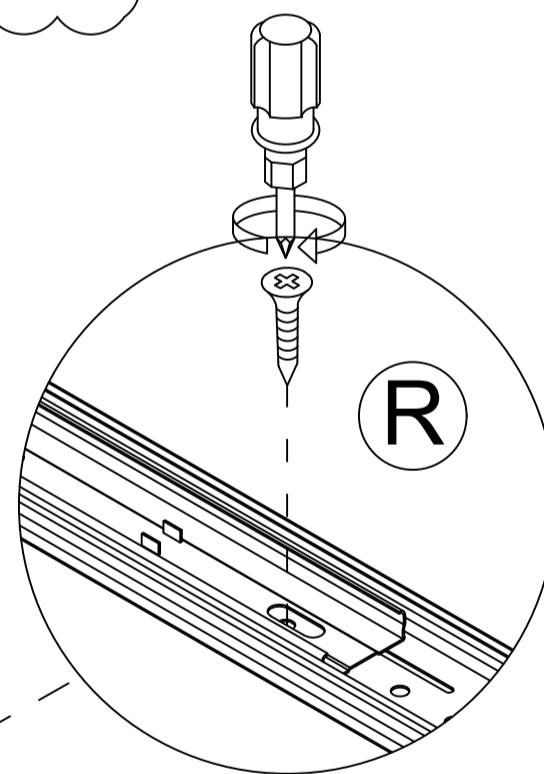
R



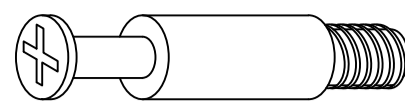
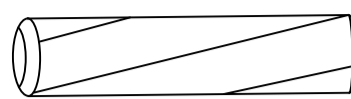
# Step 17

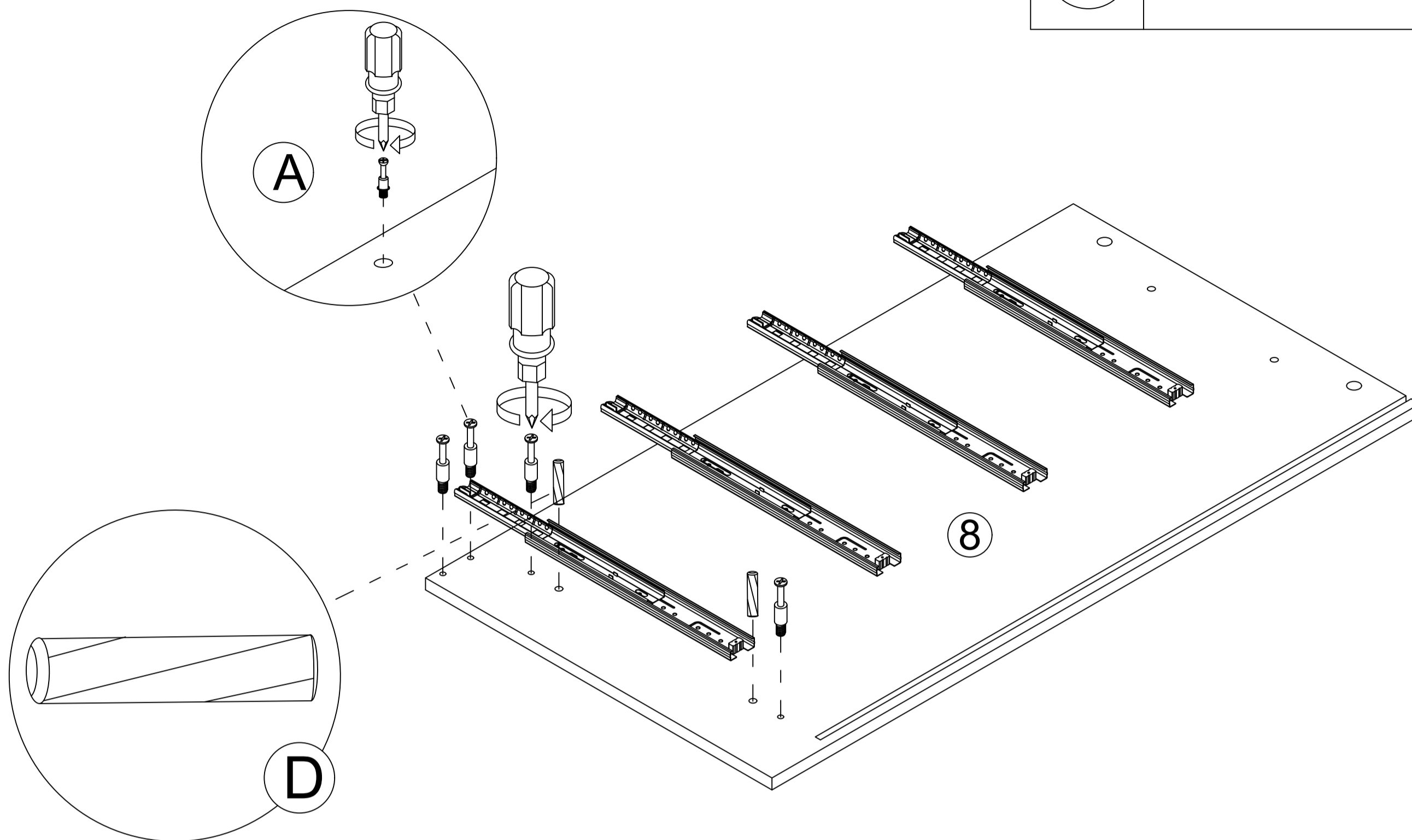


R




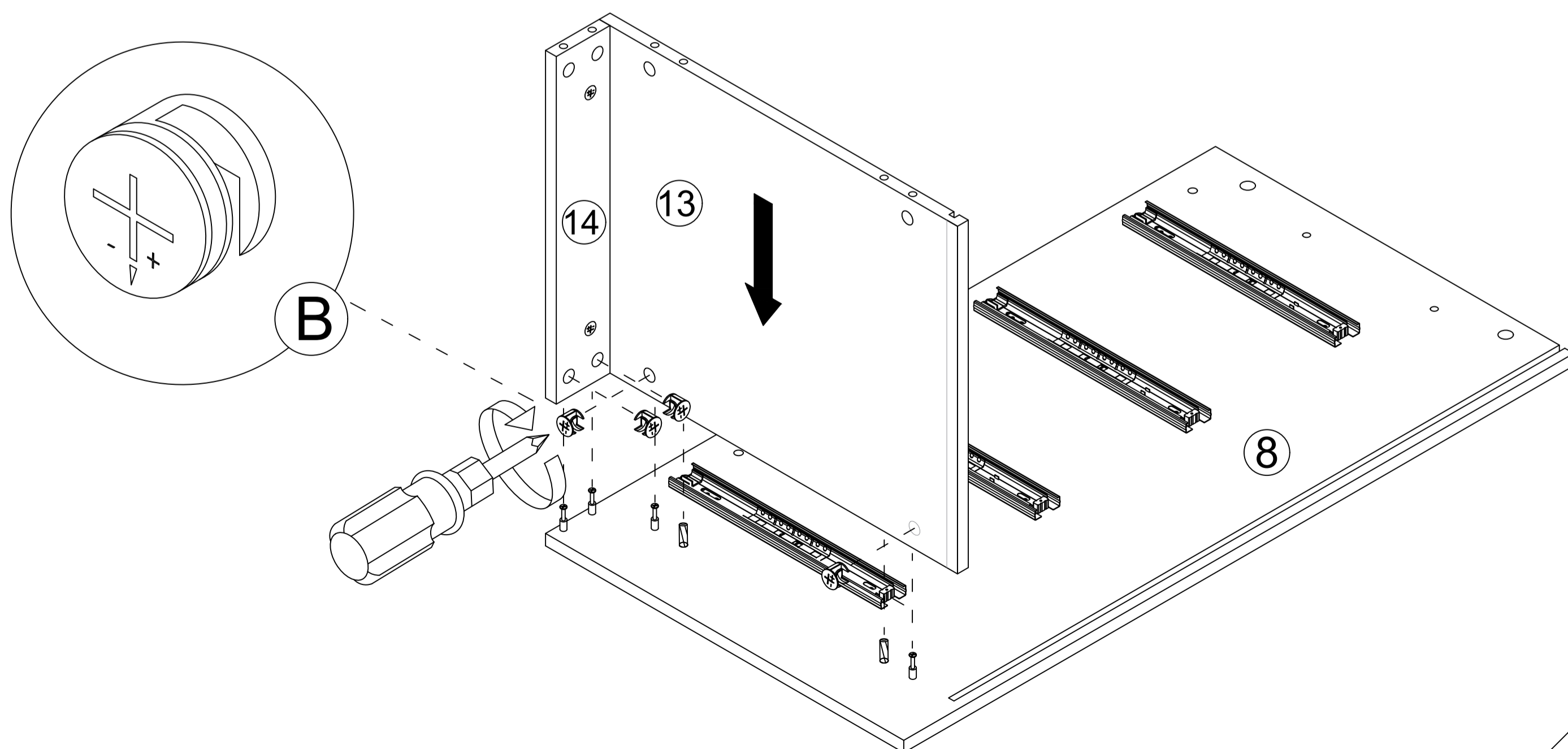
# Step 18

|   |   |     |
|---|---|-----|
| A |   | x 4 |
| D |  | x 2 |

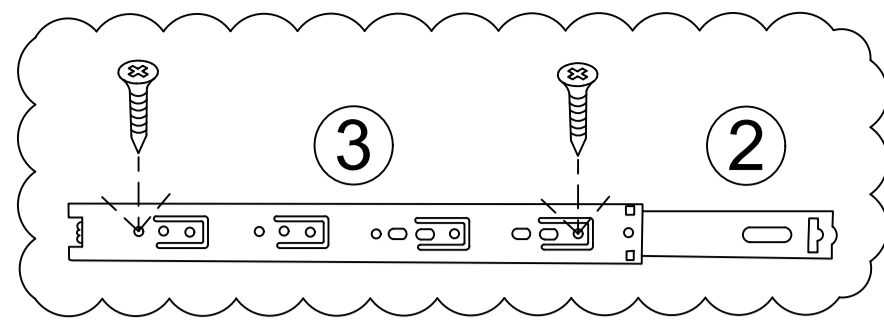


# Step 19

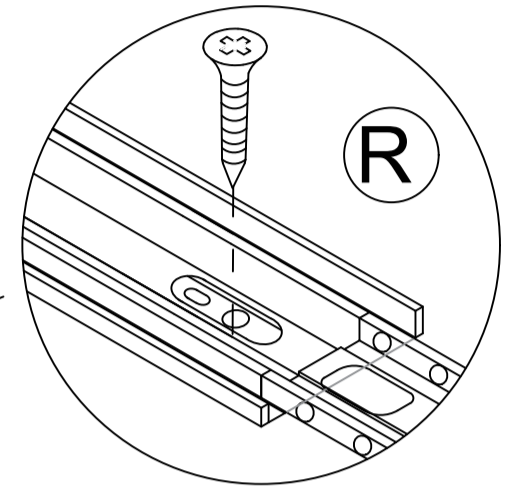
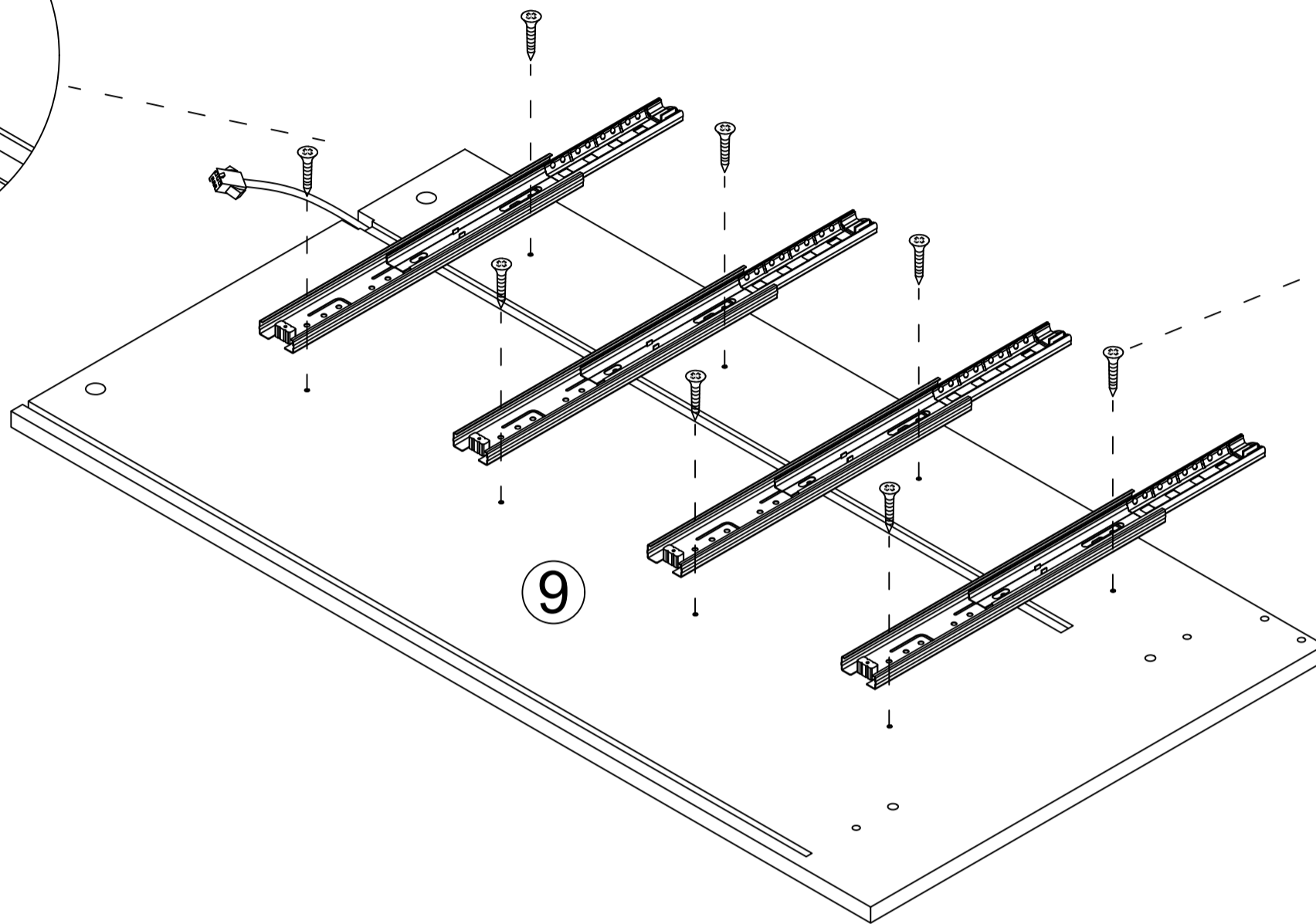
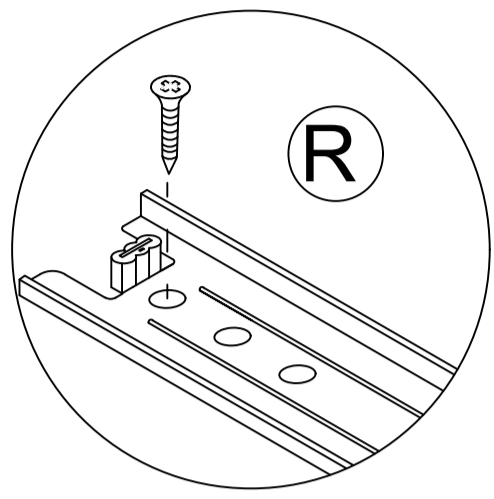
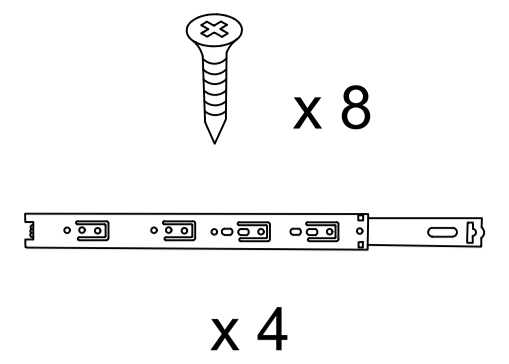
|   |   |     |
|---|---|-----|
| B |  | x 4 |
|---|---|-----|



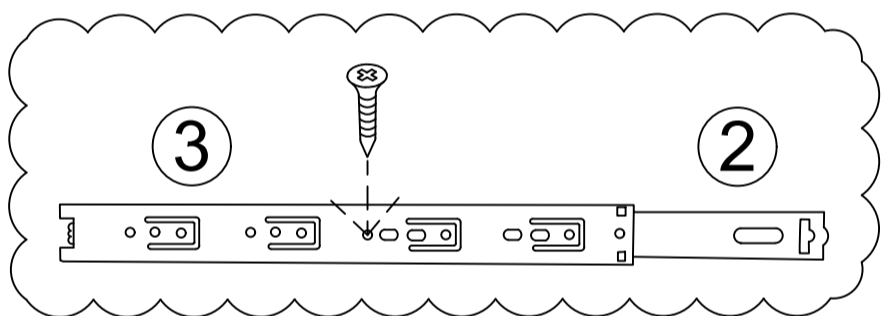
# Step 20



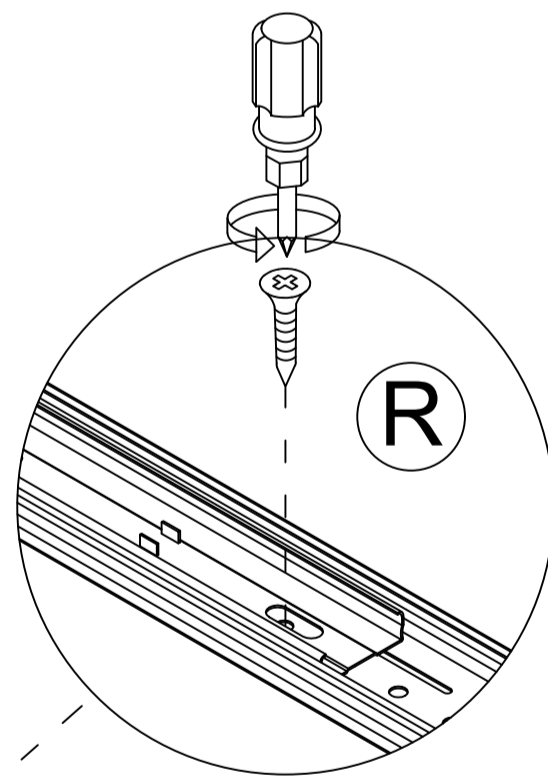
R



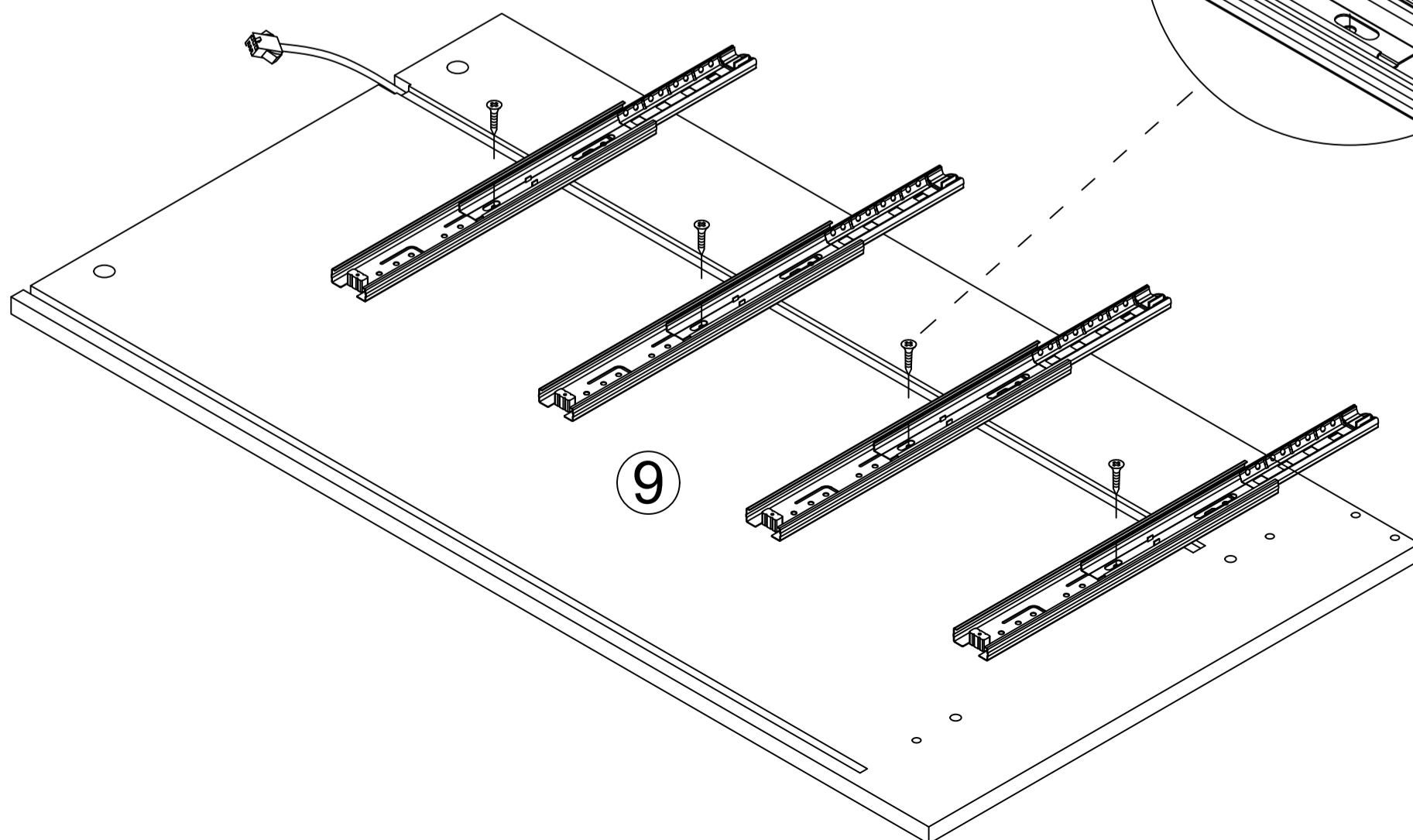
# Step 21



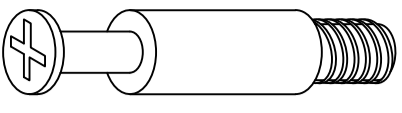
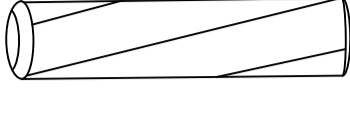
R

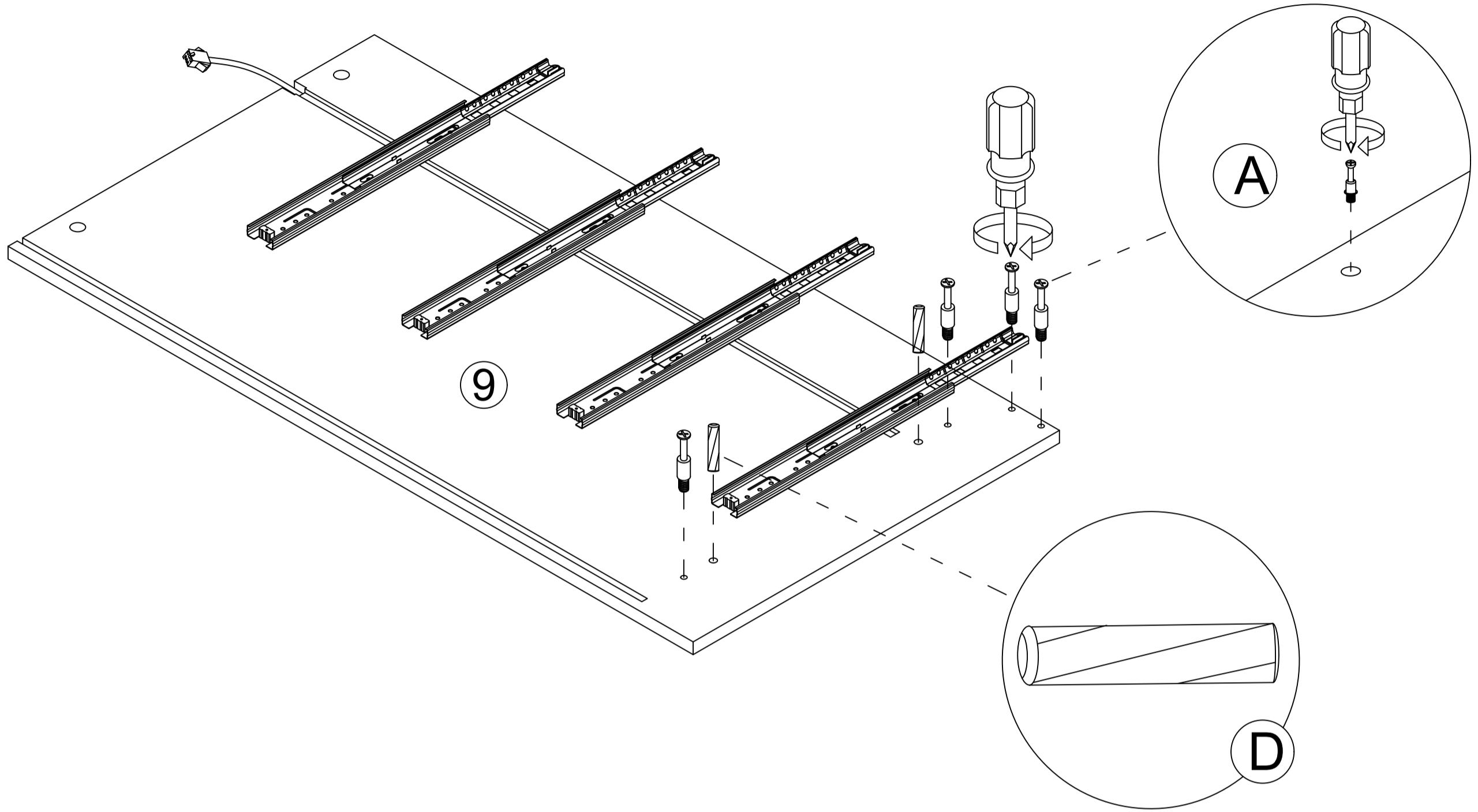


This hole is a rail fixing hole and can be installed as needed


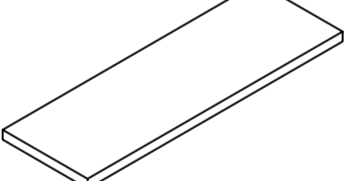


# Step 22

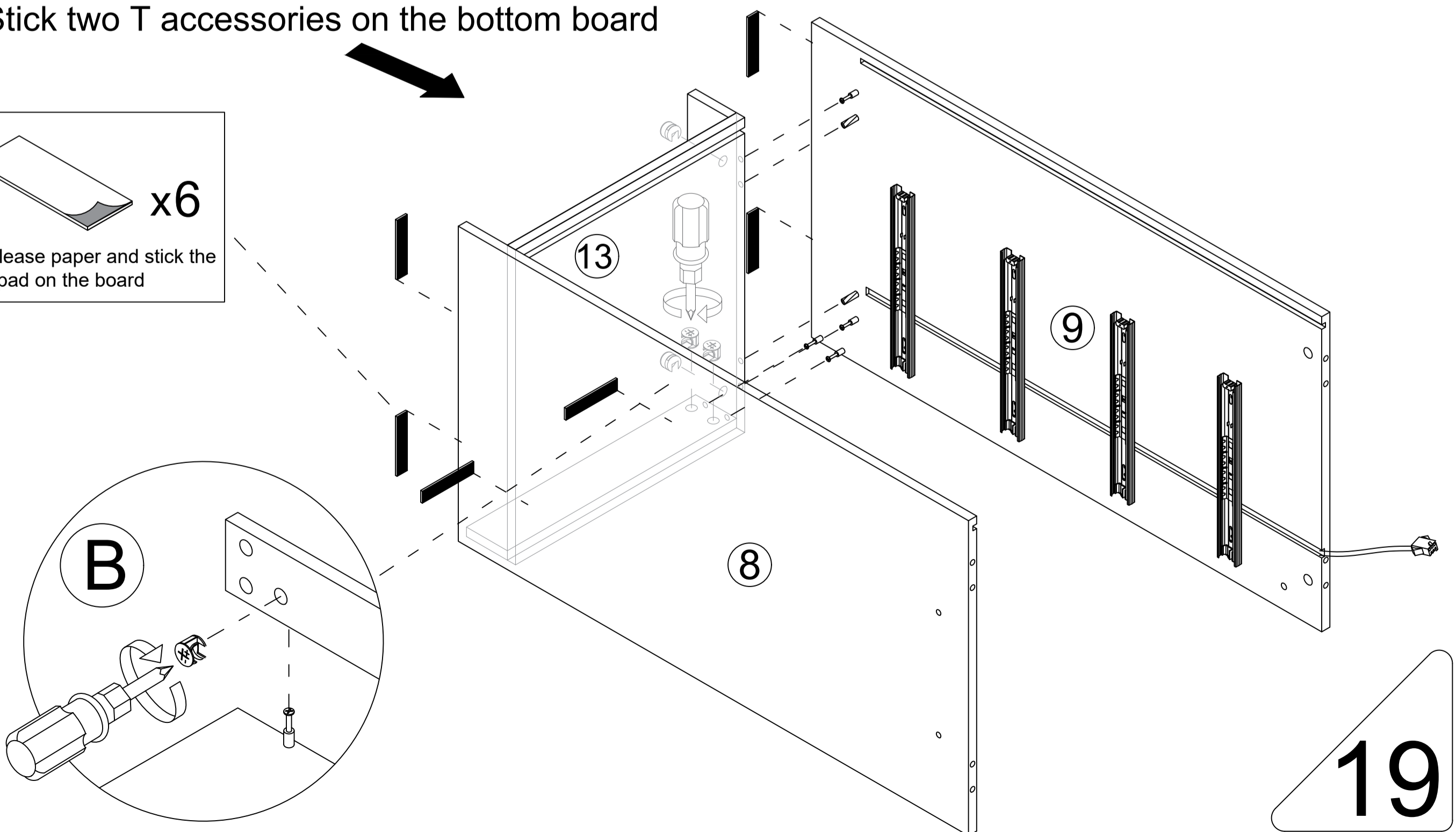
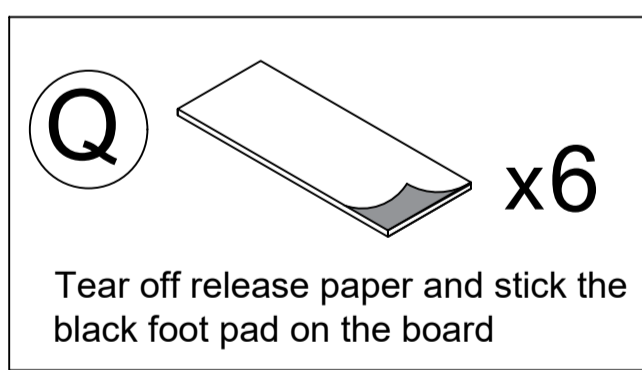
|   |   |     |
|---|---|-----|
| A |   | x 4 |
| D |  | x 2 |



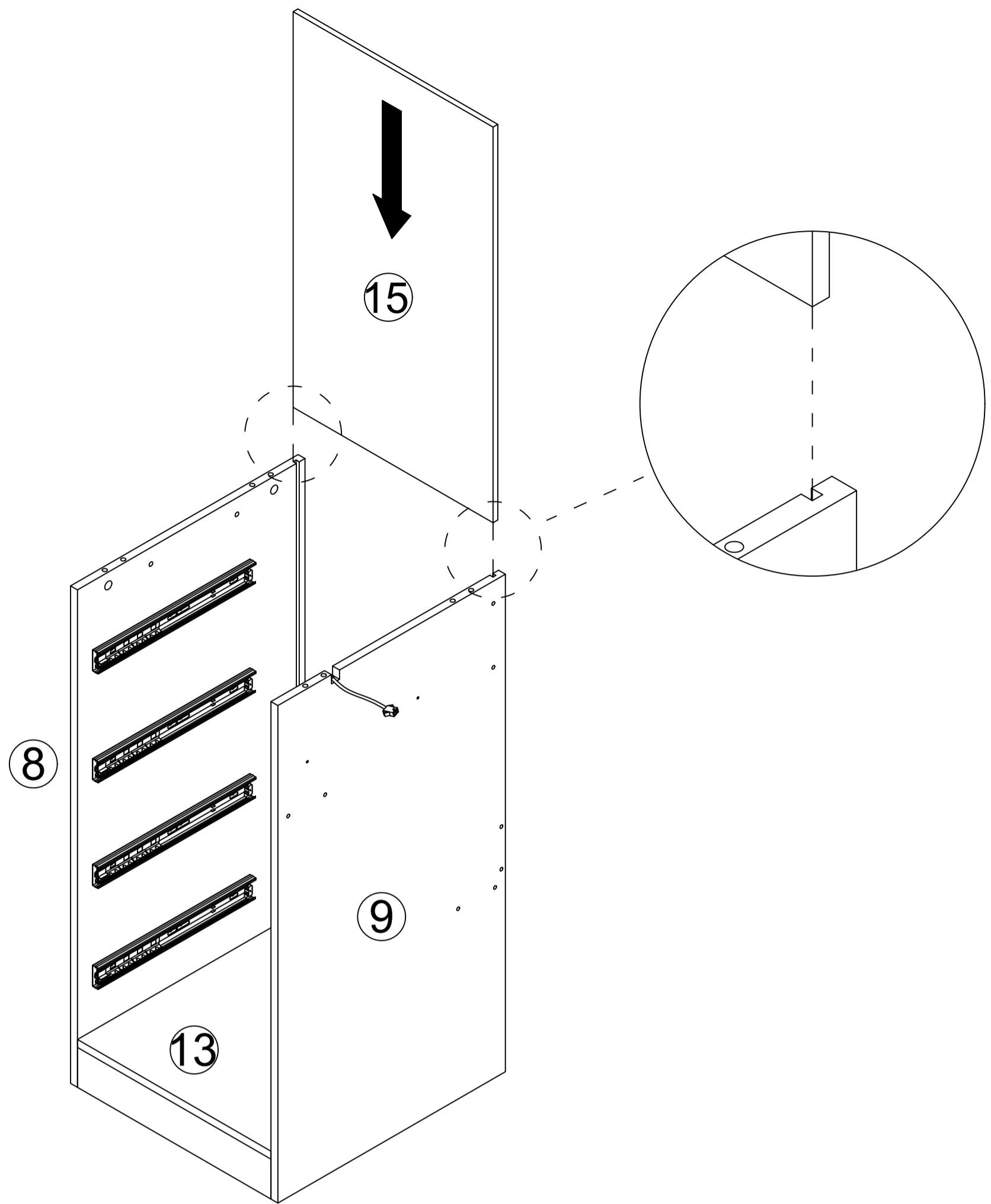
# Step 23

|   |   |     |
|---|---|-----|
| B |  | x 4 |
| Q |  | x 6 |

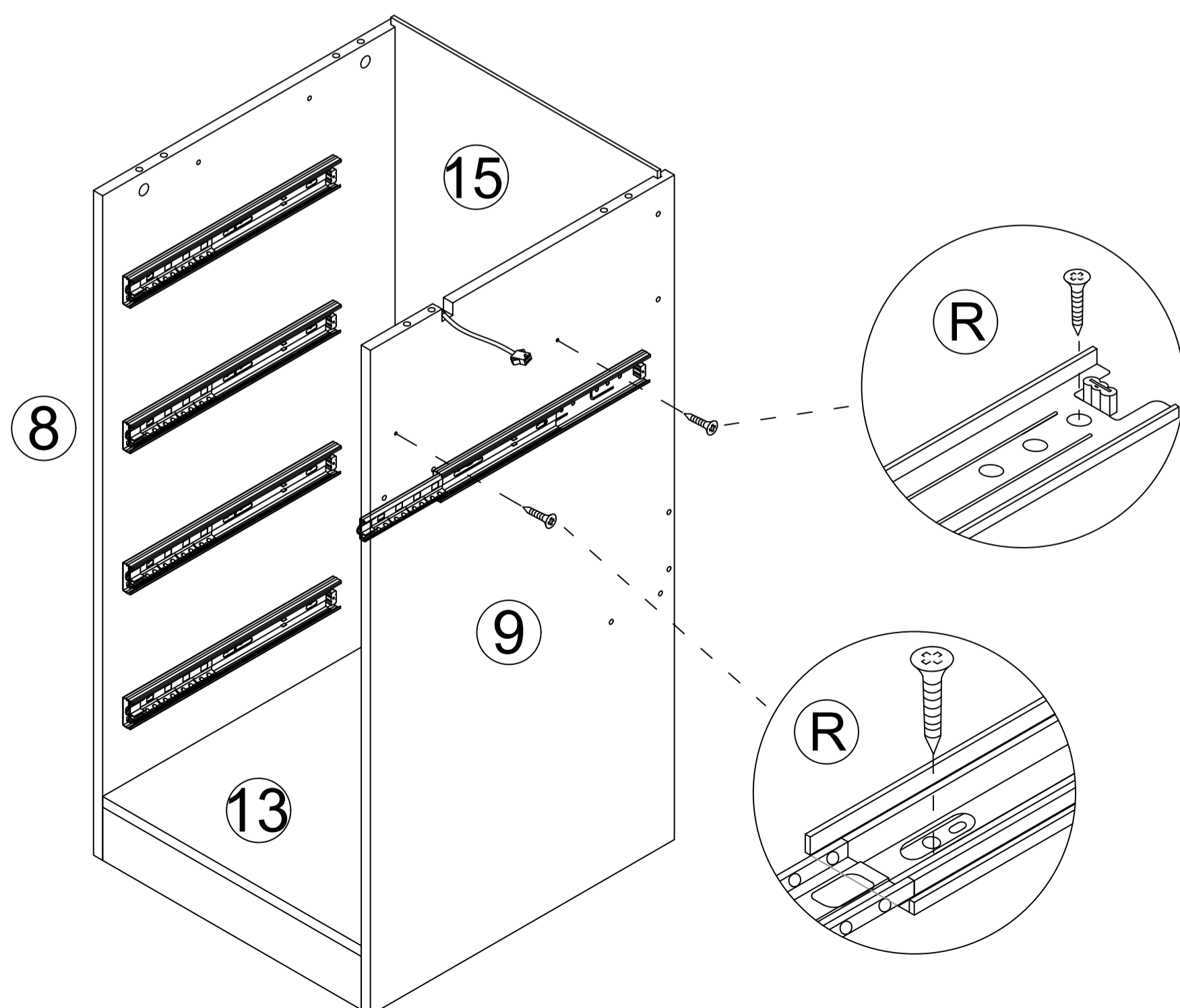
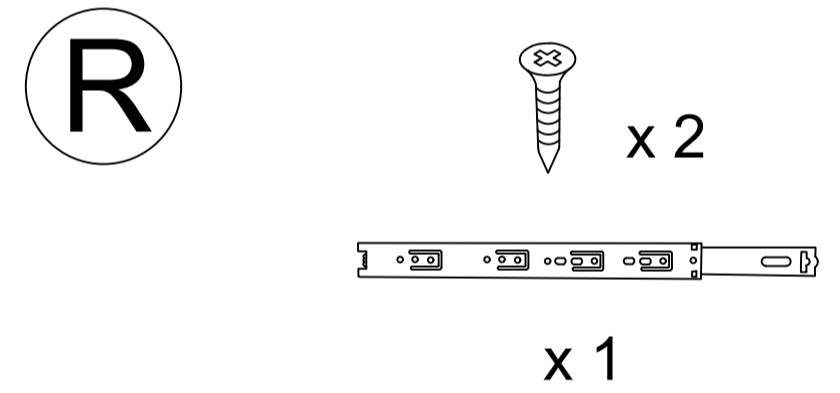
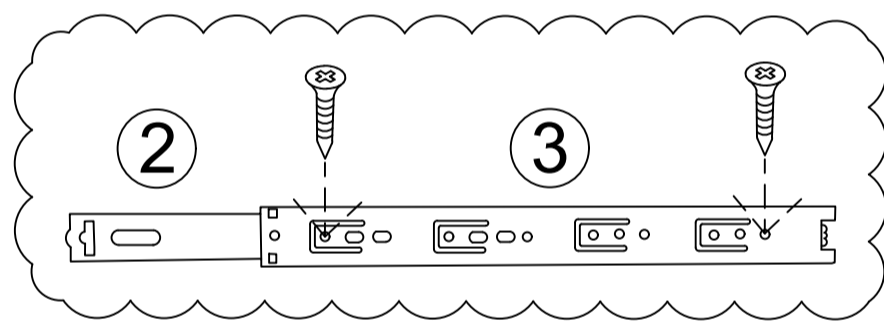
Stick two T accessories on the bottom board



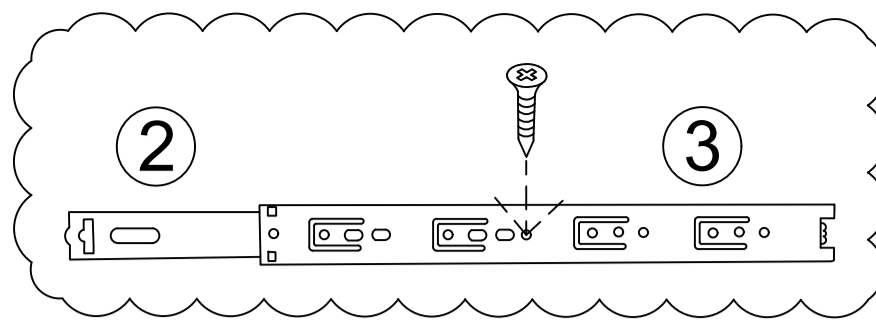
# Step 24



# Step 25



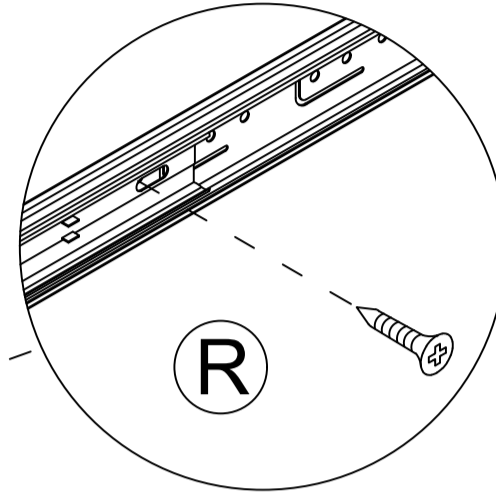
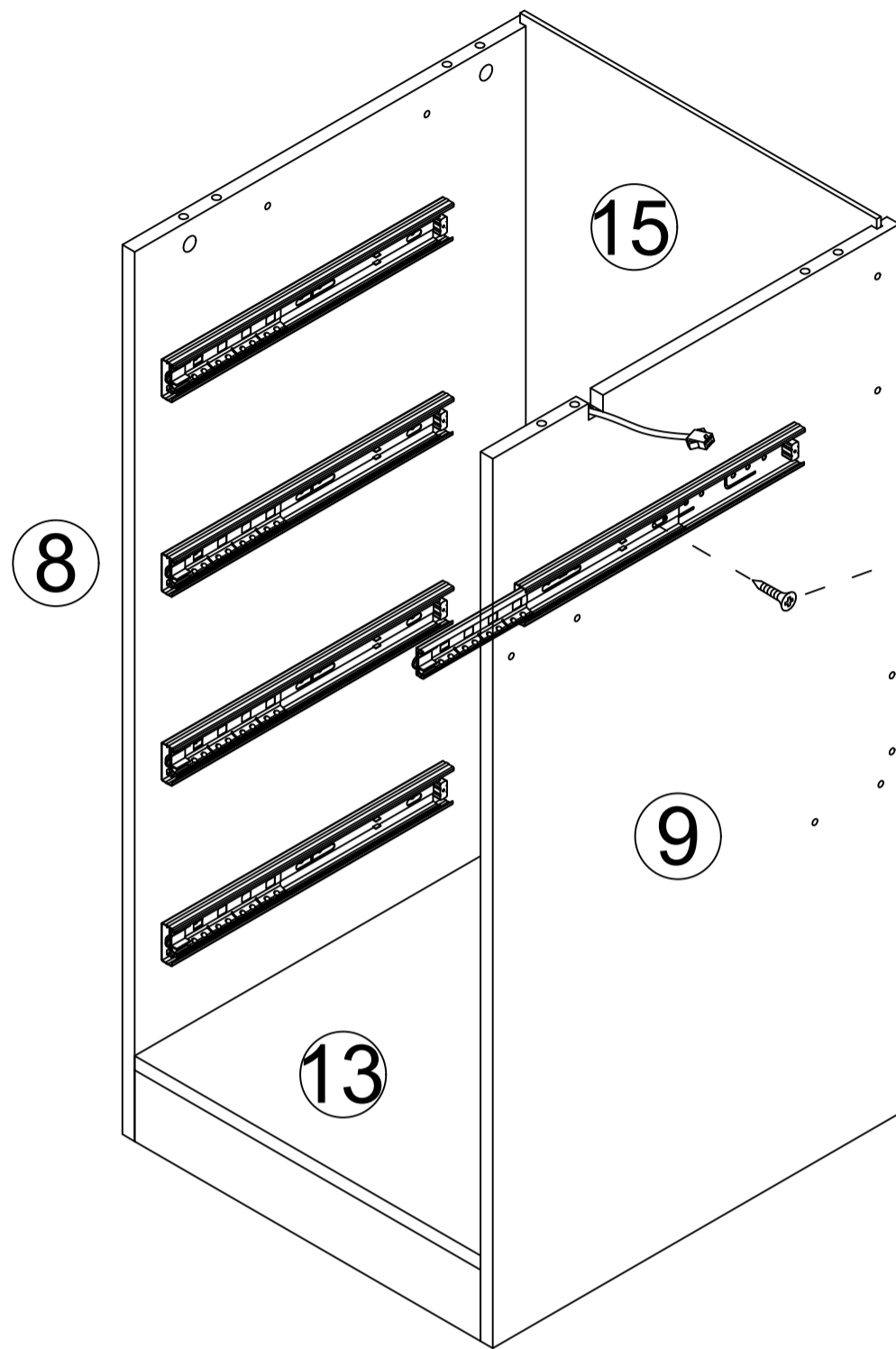
# Step 26



R



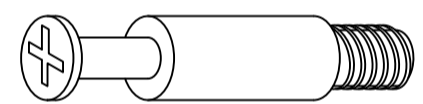
x 1



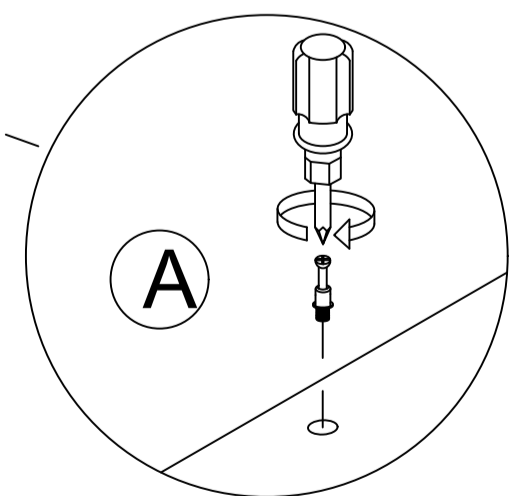
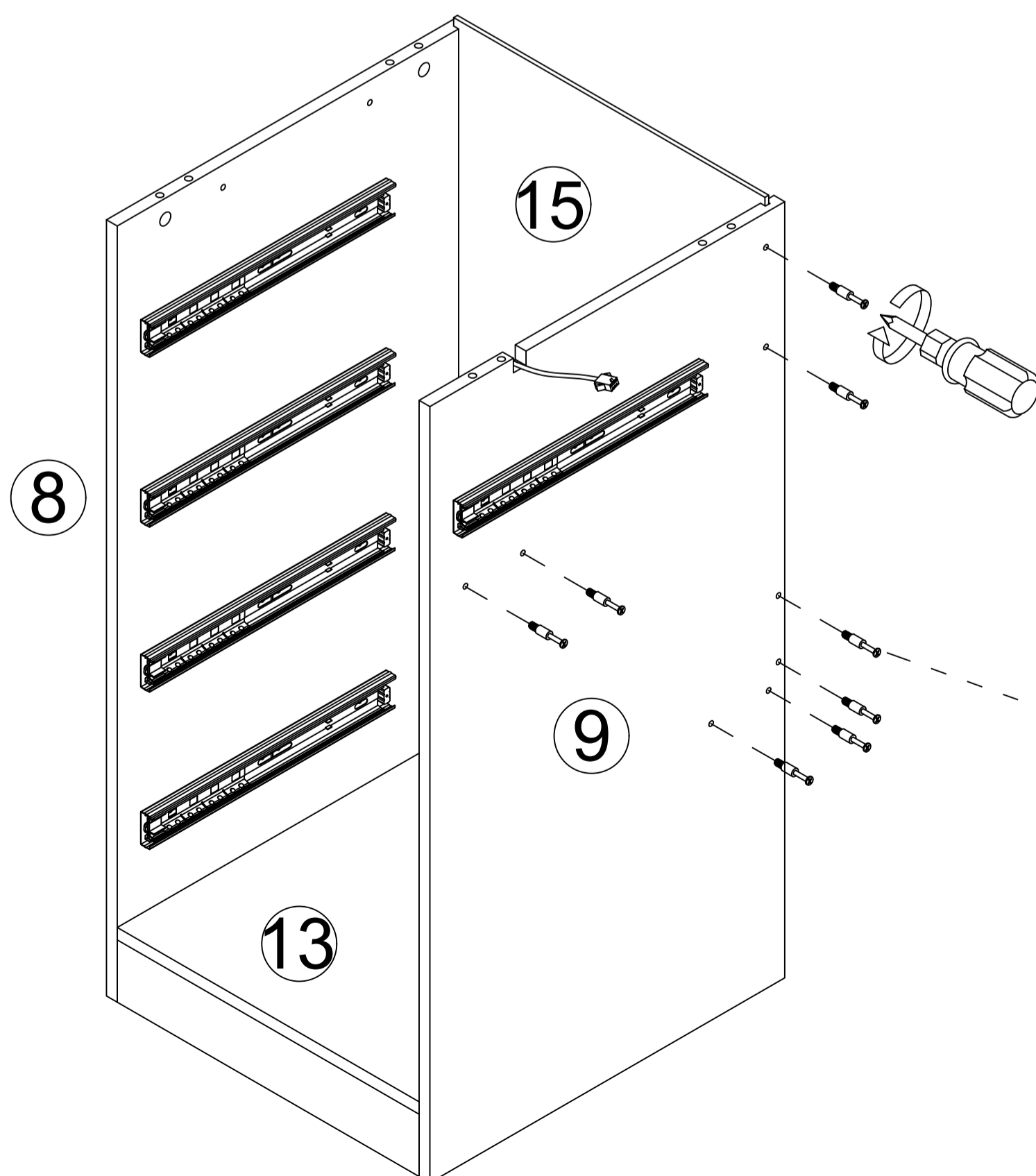
This hole is a rail fixing hole and can be installed as needed

# Step 27

A

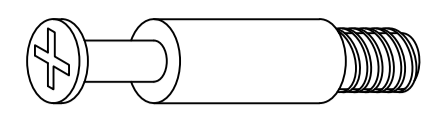


x 8

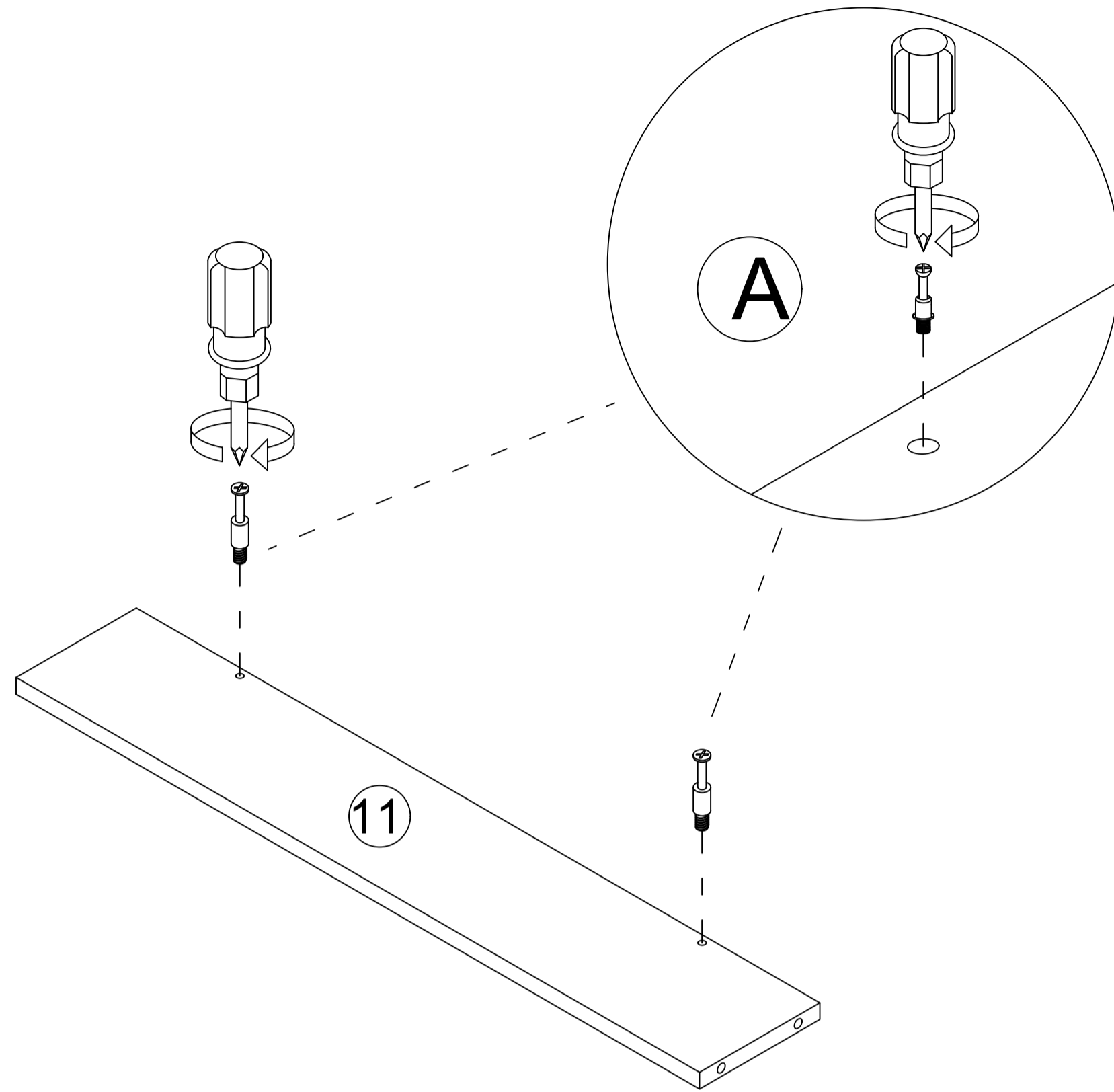


# Step 28

A



x 2

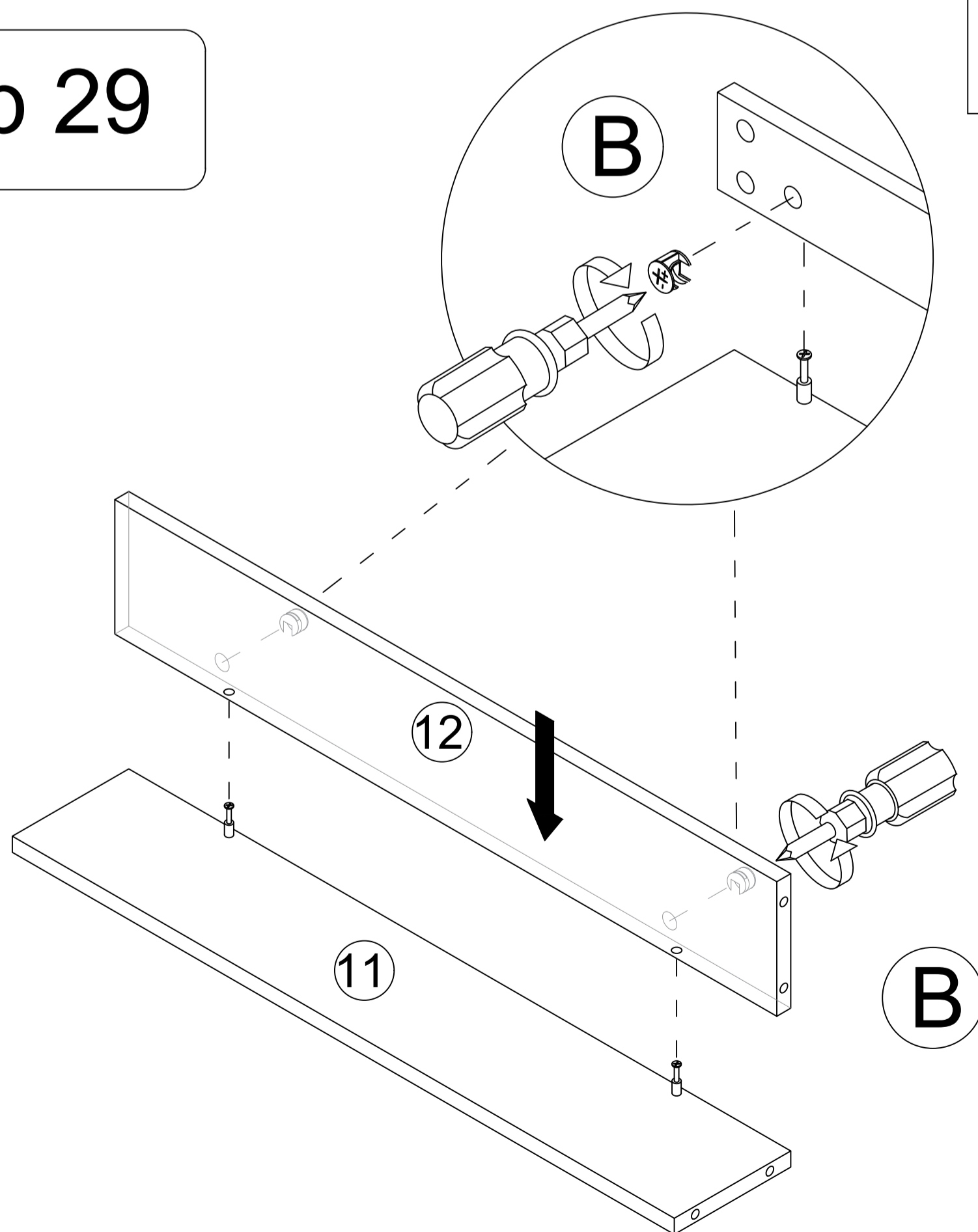


# Step 29

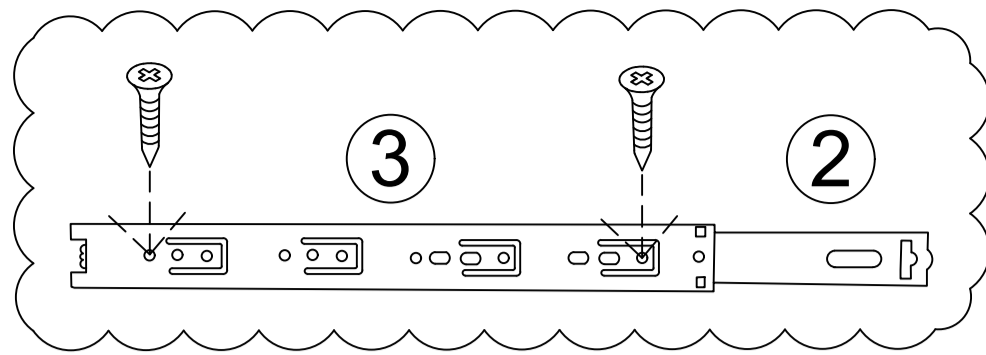
B



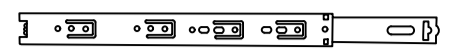
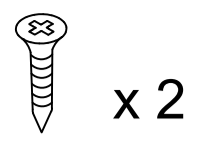
x 2



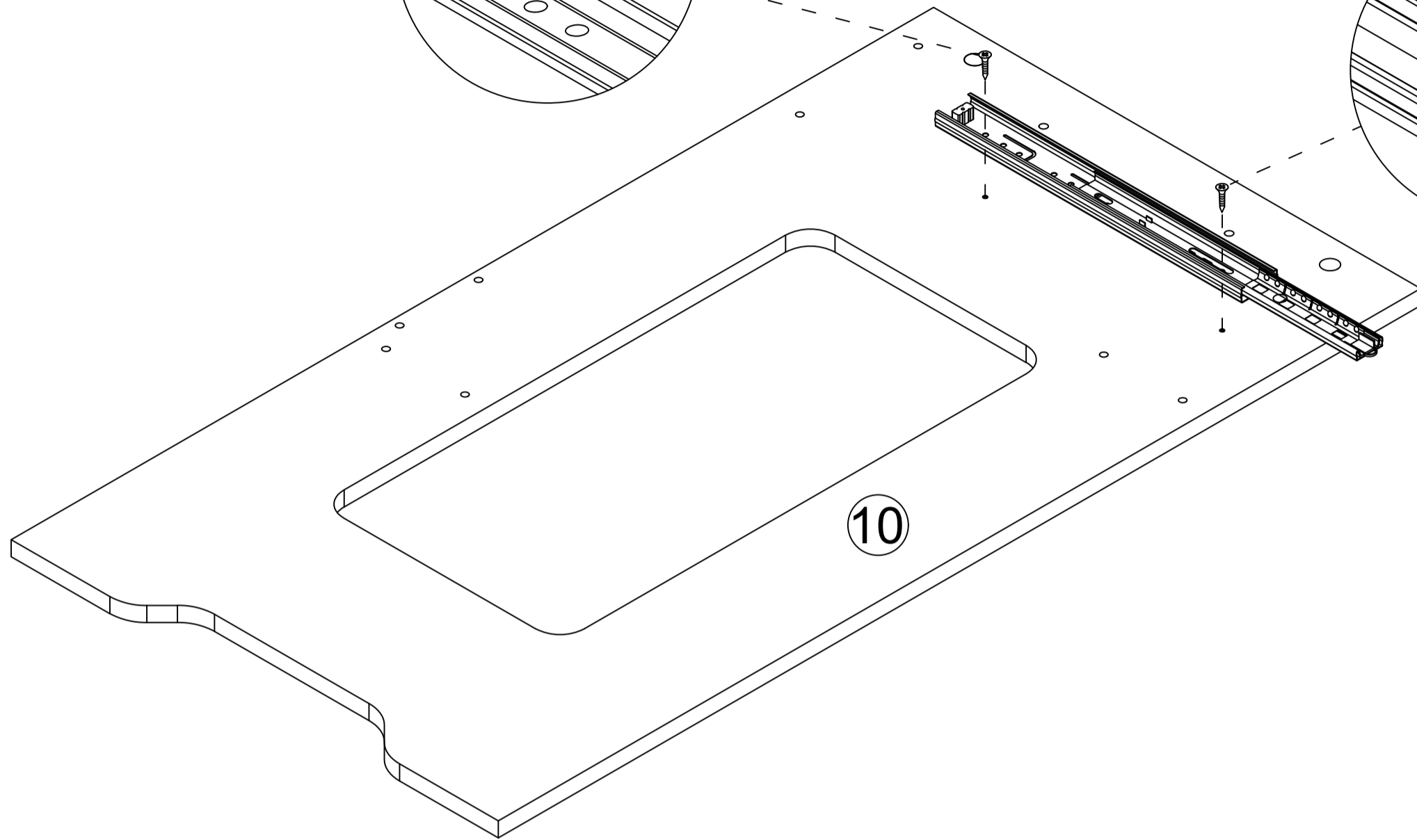
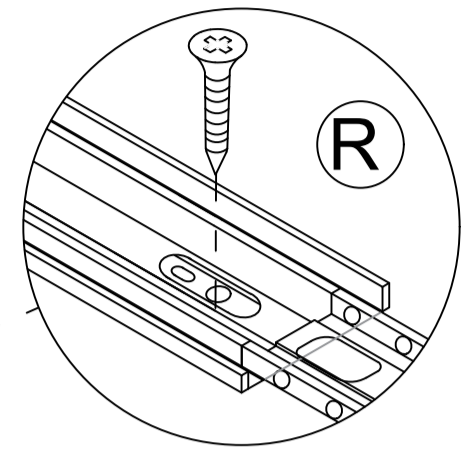
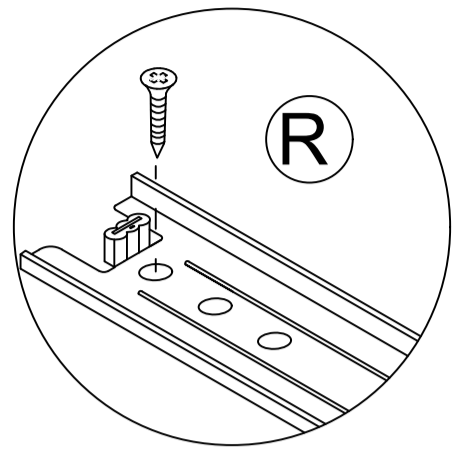
# Step 30



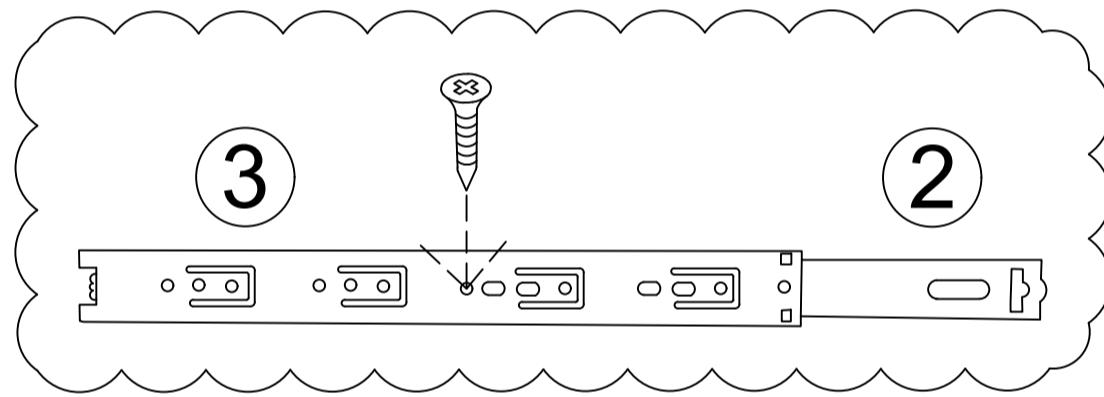
R



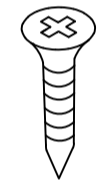
x 1



# Step 31

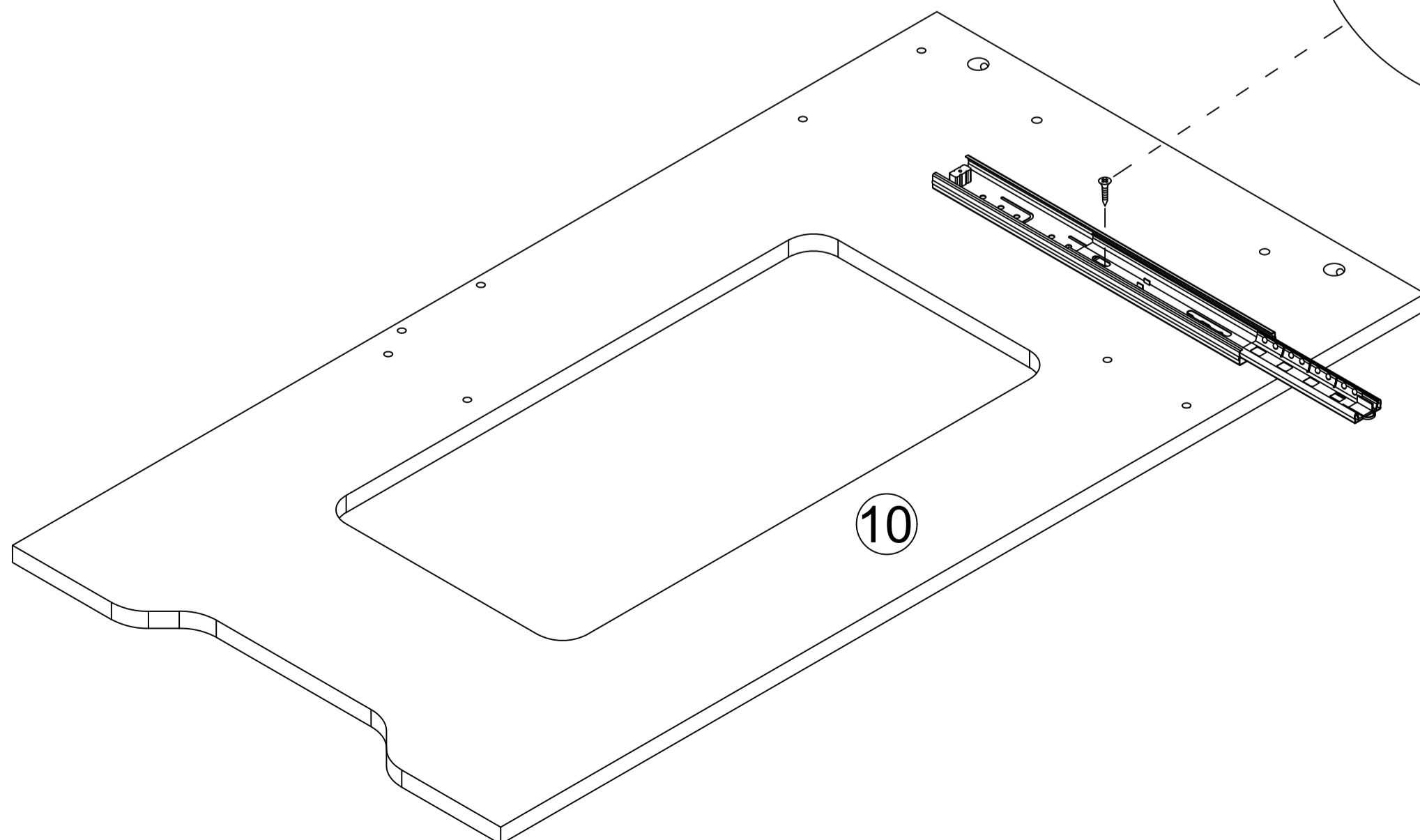
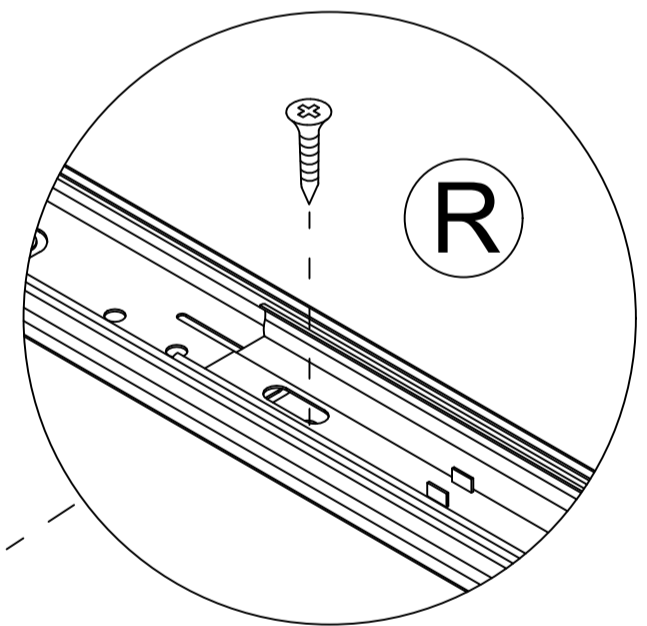


R



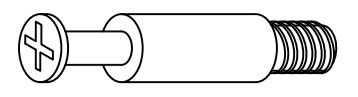
x 1

This hole is a rail fixing hole and can be installed as needed



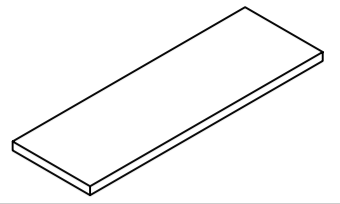
# Step 32

A

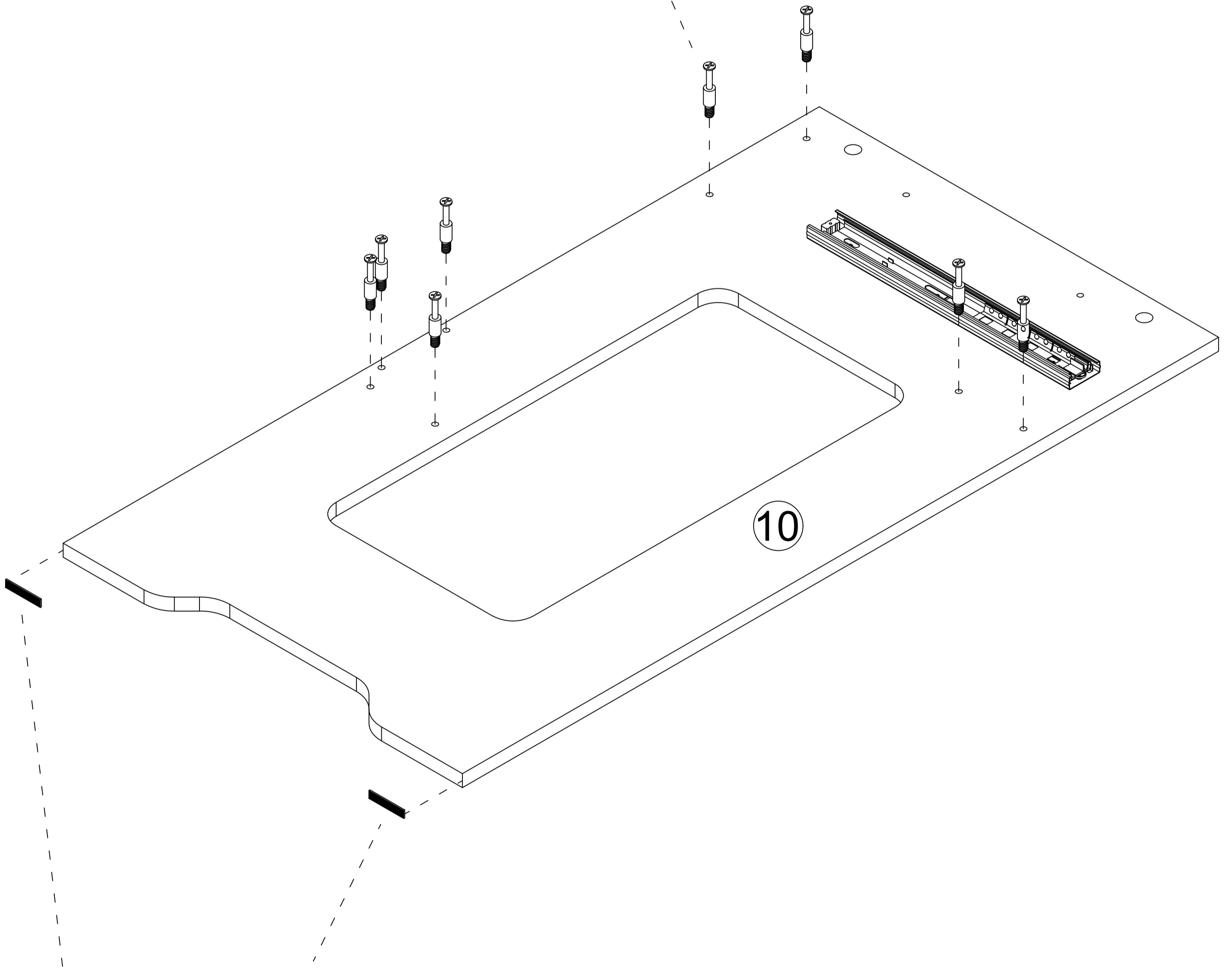
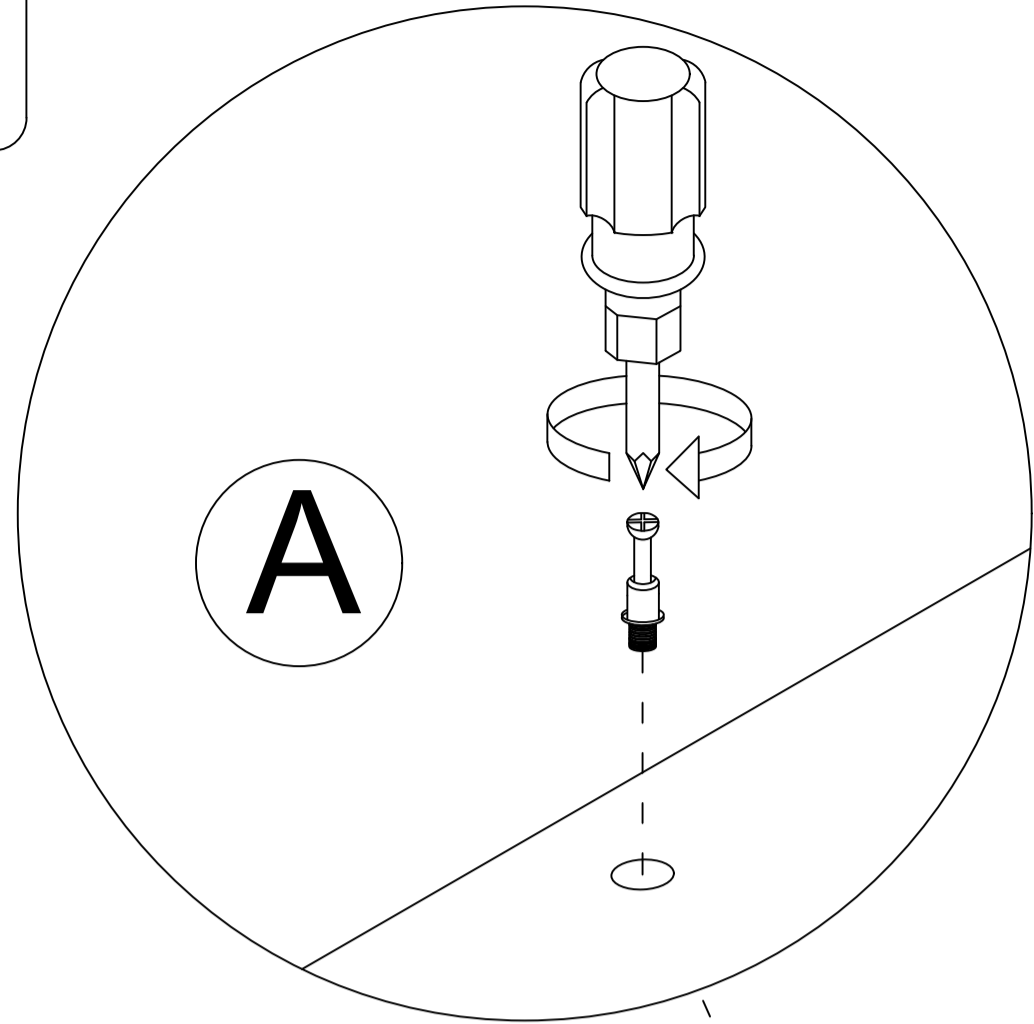


x 8

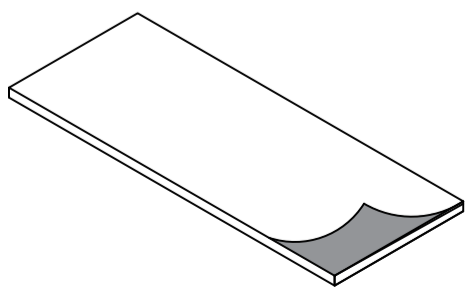
Q



x 2



Q

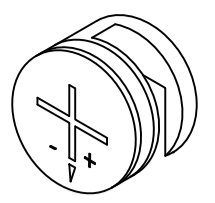


x2

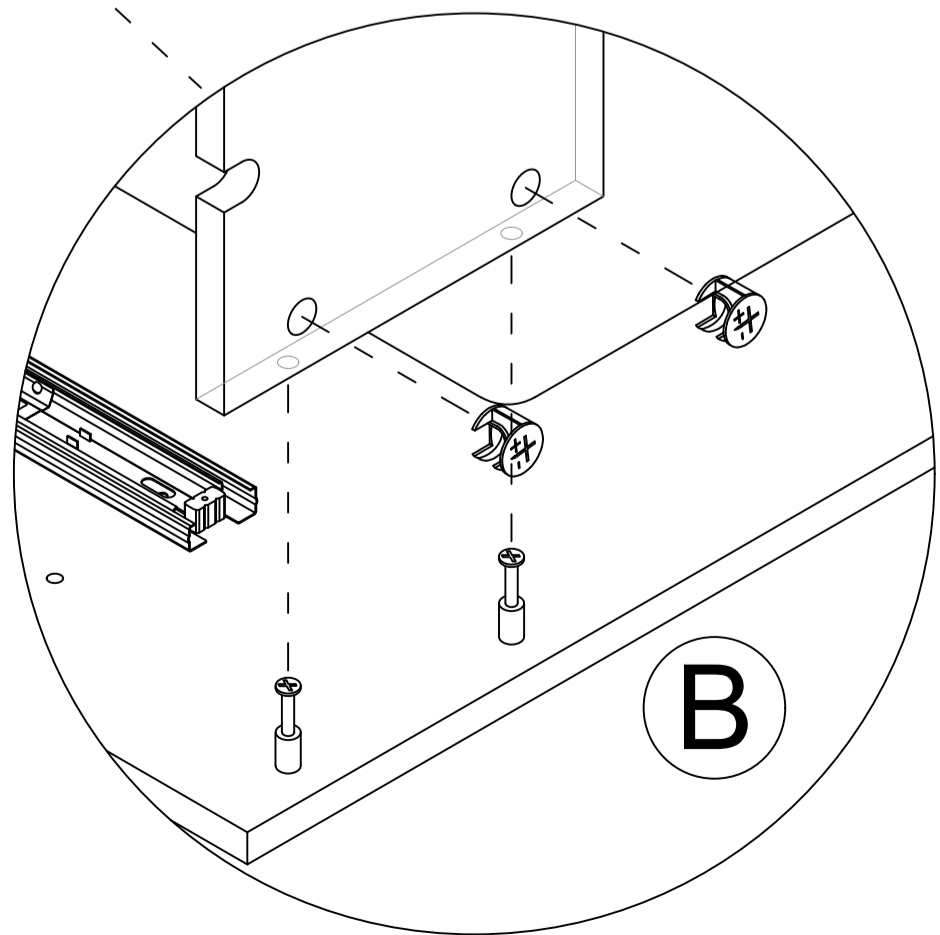
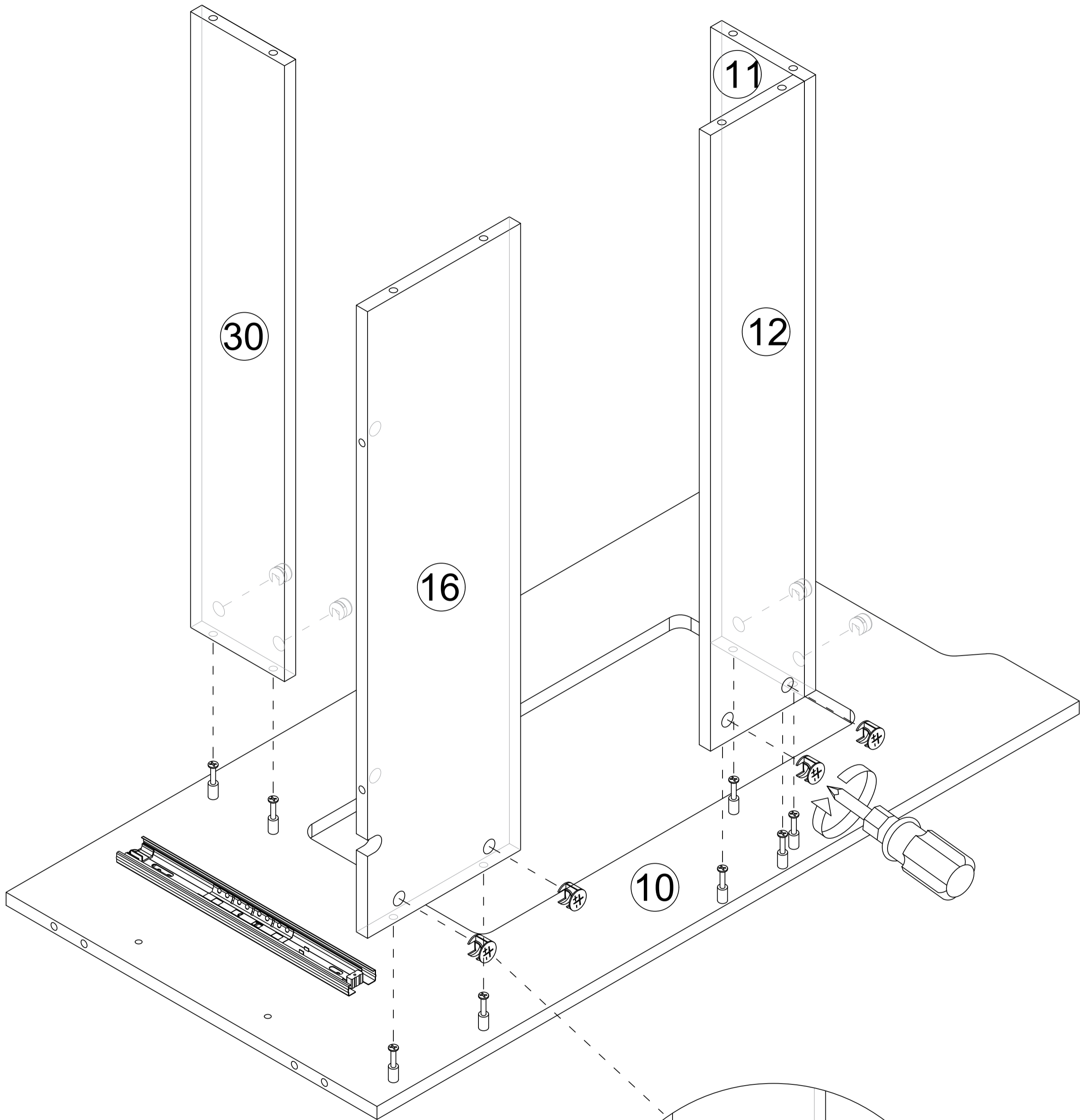
Tear off release paper and stick the black foot pad on the board

# Step 33

B

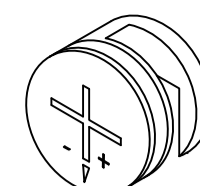


x 8



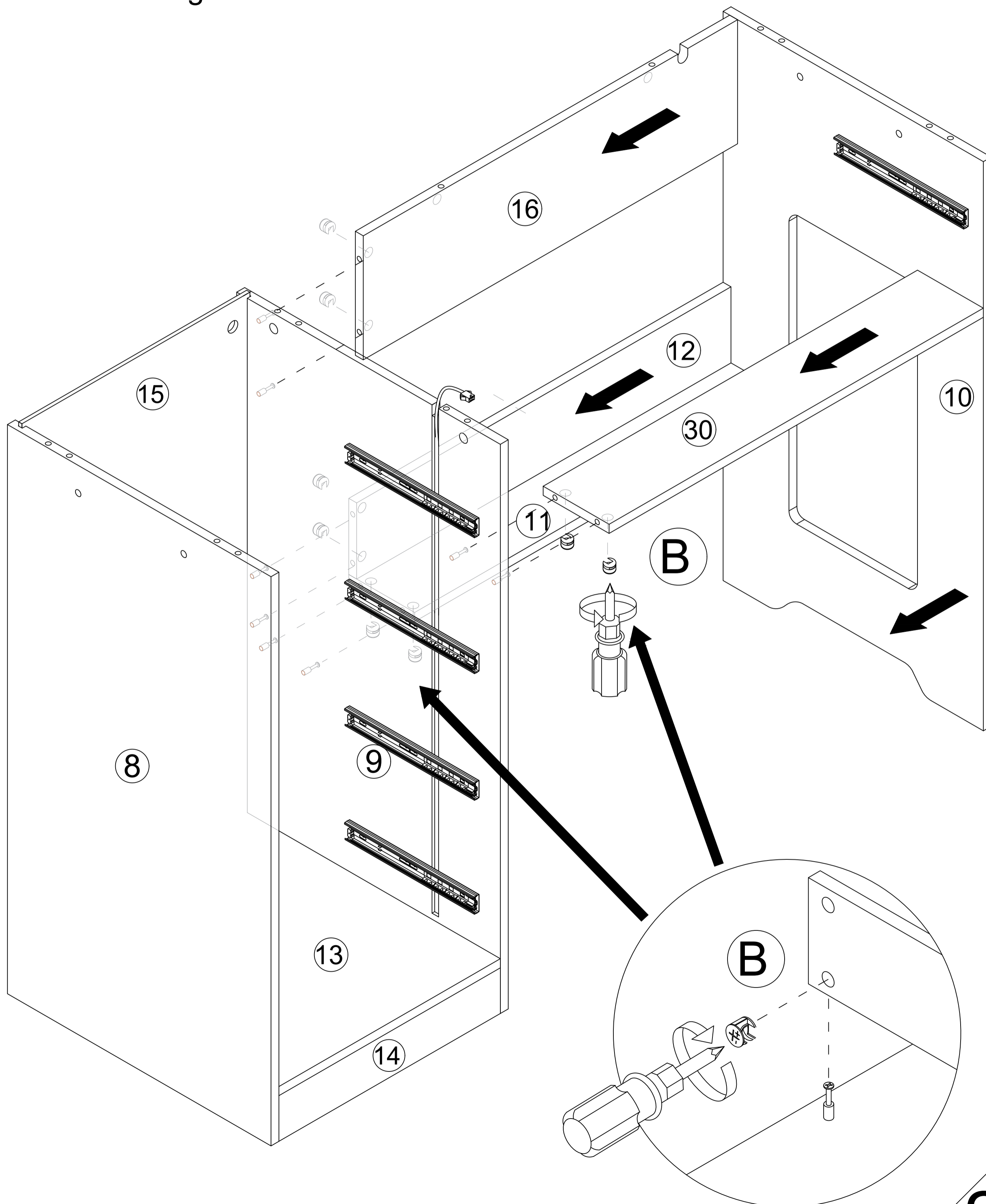
# Step 34

B



x 8

When installing this step by one person, it is recommended to install the cabinet backwards to prevent damage to the board. Two people can continue with the following steps as shown in the figure. It's been hard, but you can take a break before continuing

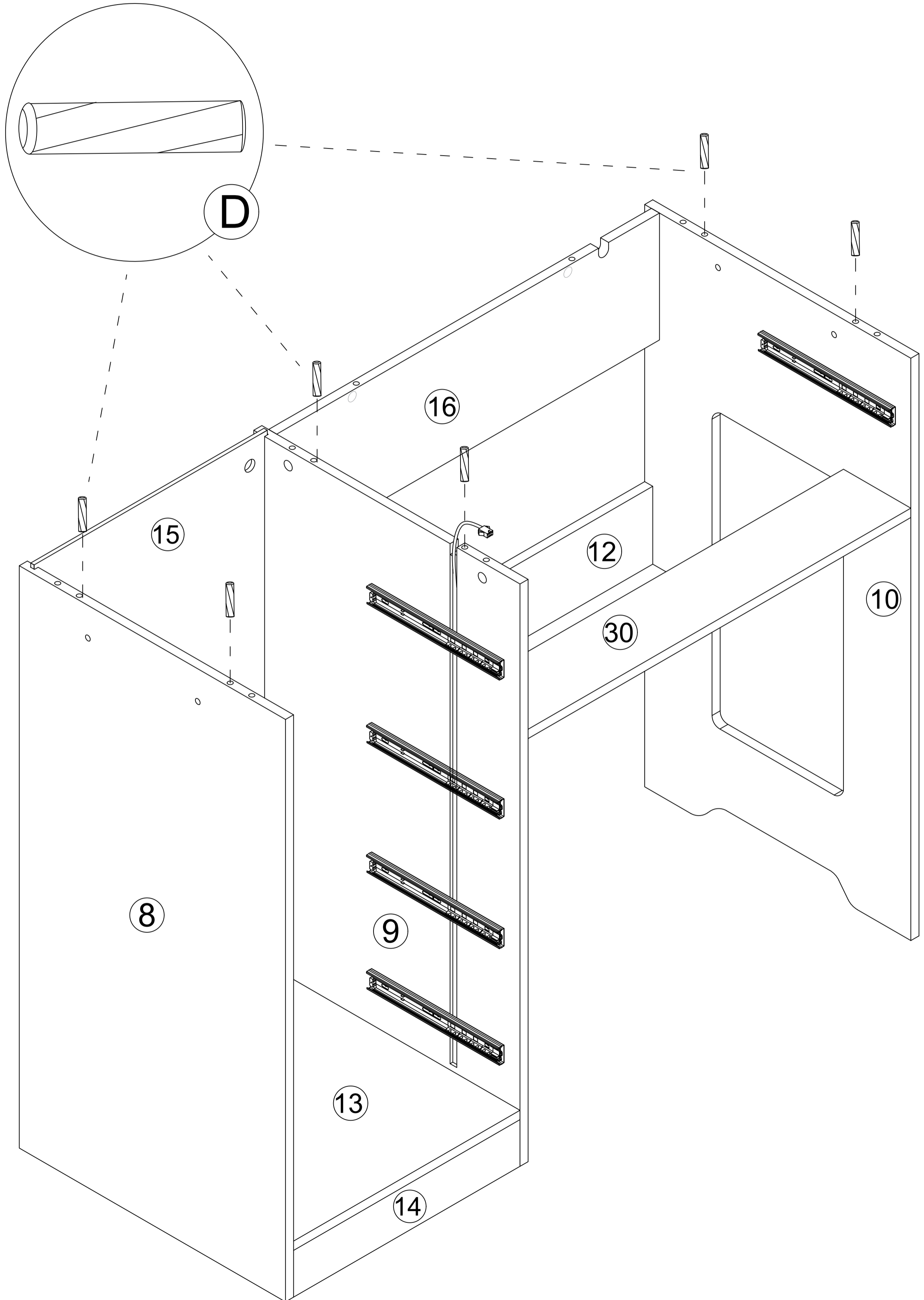


# Step 35

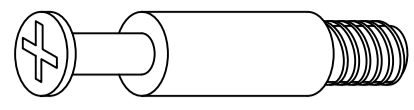
D

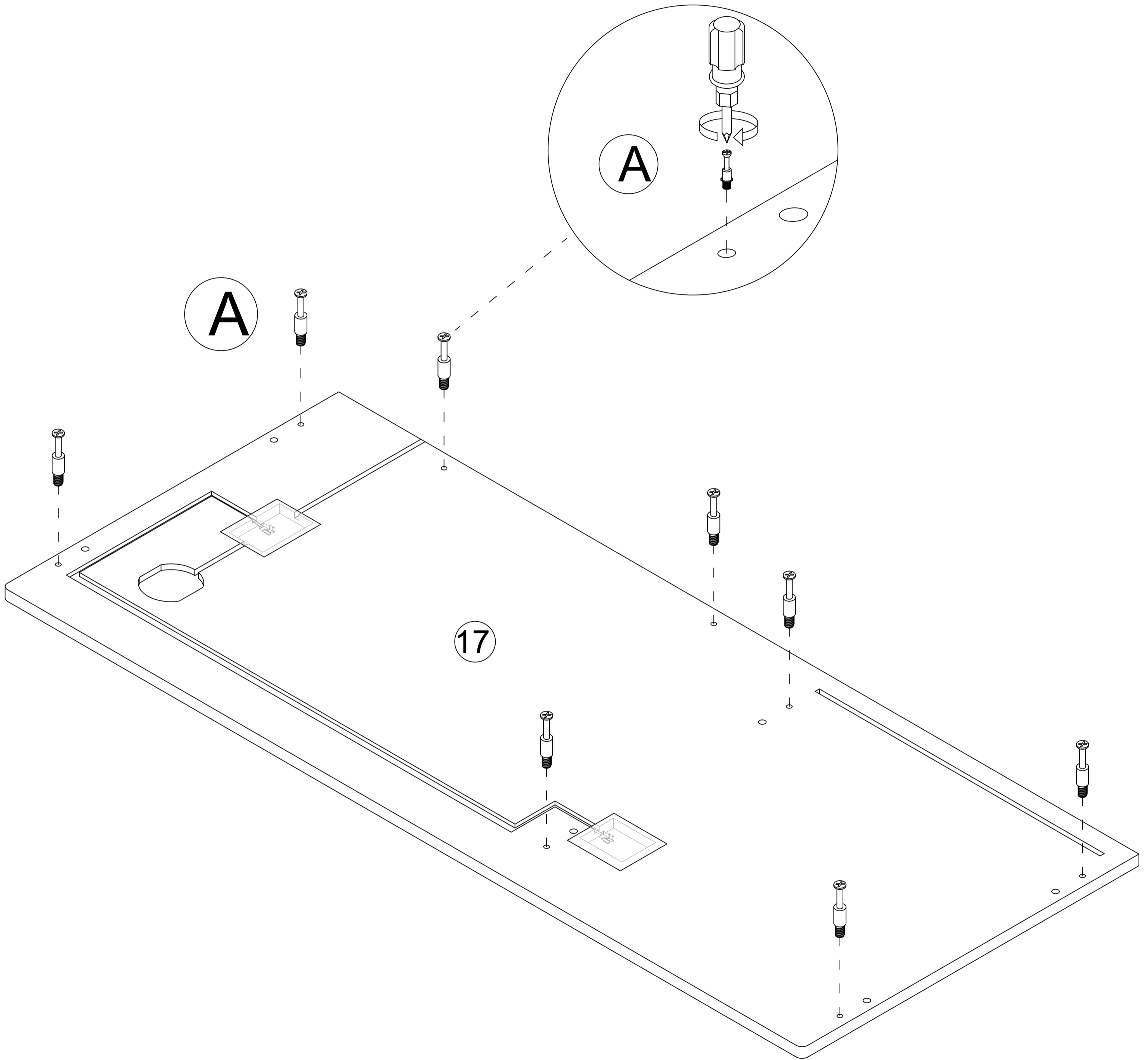


x 6



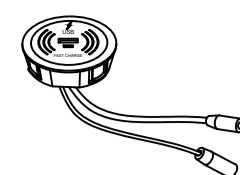
# Step 36

**A**  x 8



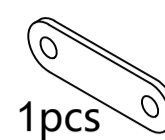
# Step 37

E



x 1

V

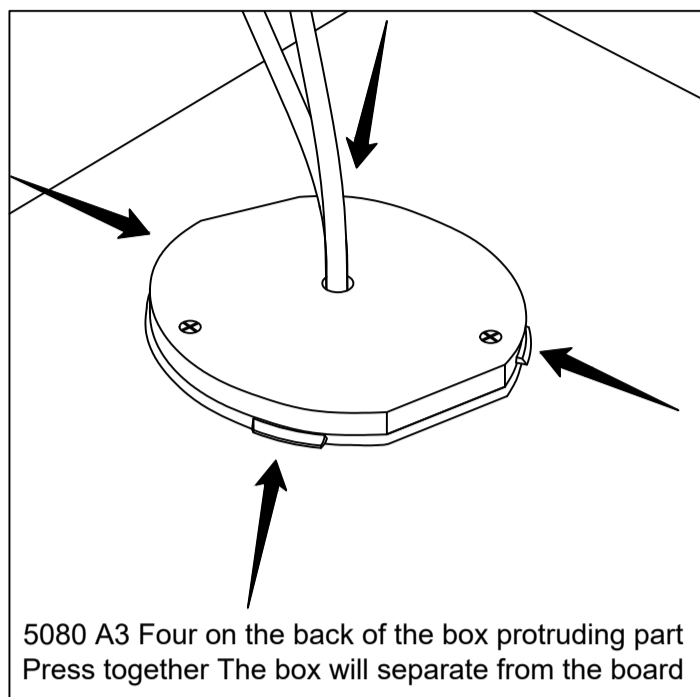


1pcs

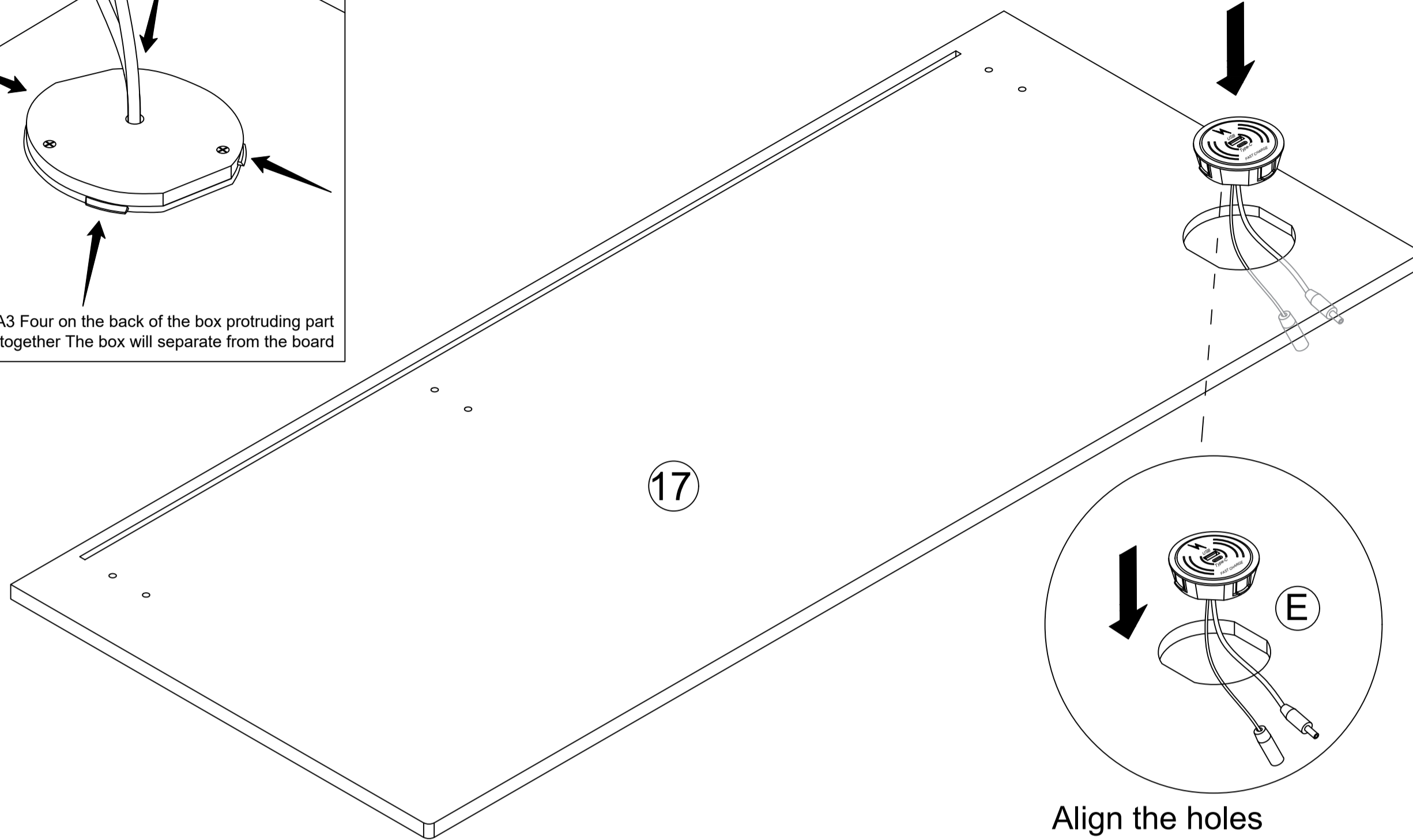


2pcs

x 1

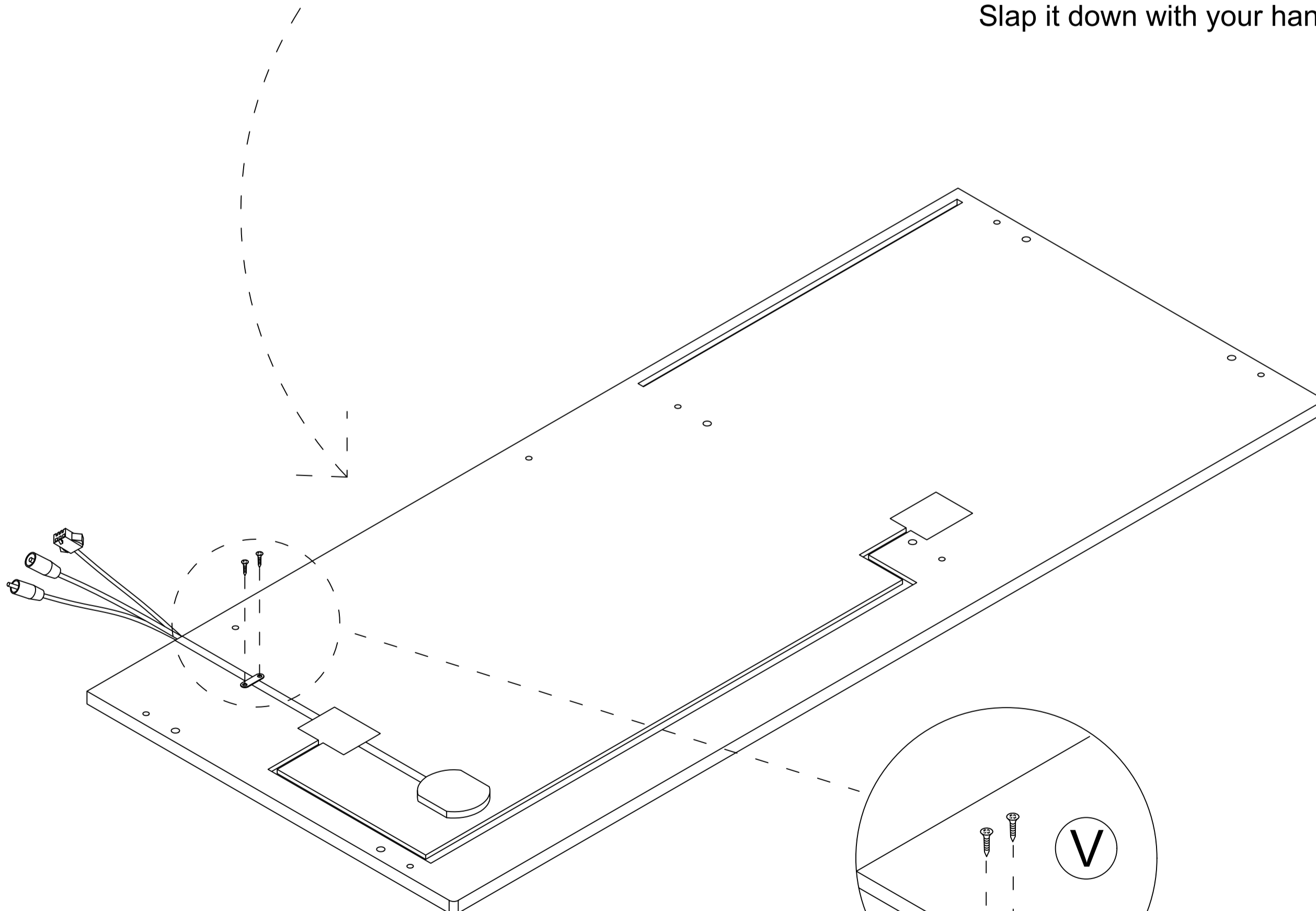


5080 A3 Four on the back of the box protruding part  
Press together The box will separate from the board



17

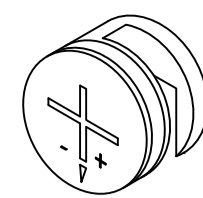
Align the holes  
Slap it down with your hand.



Fix the wire with a piece of iron

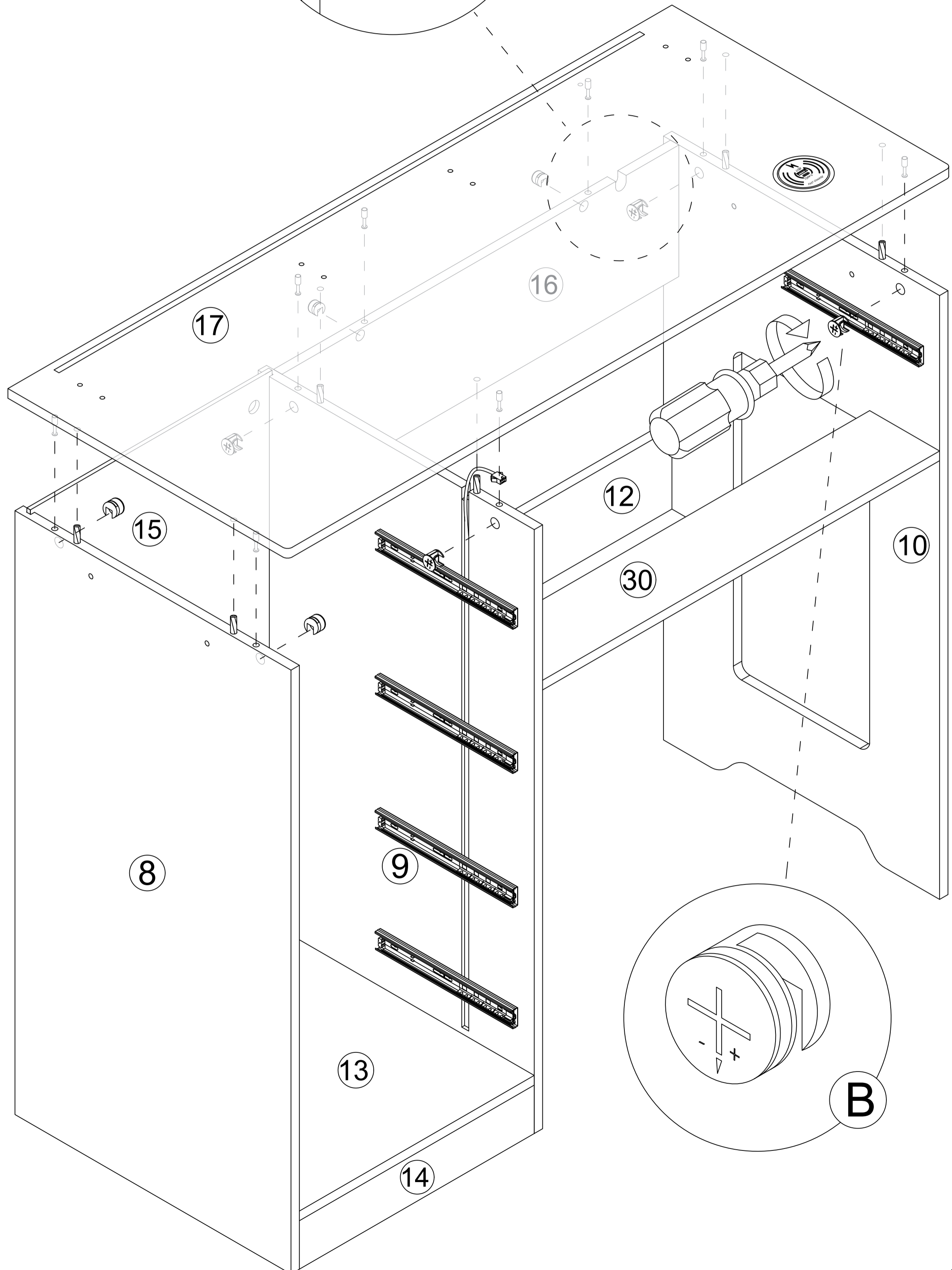
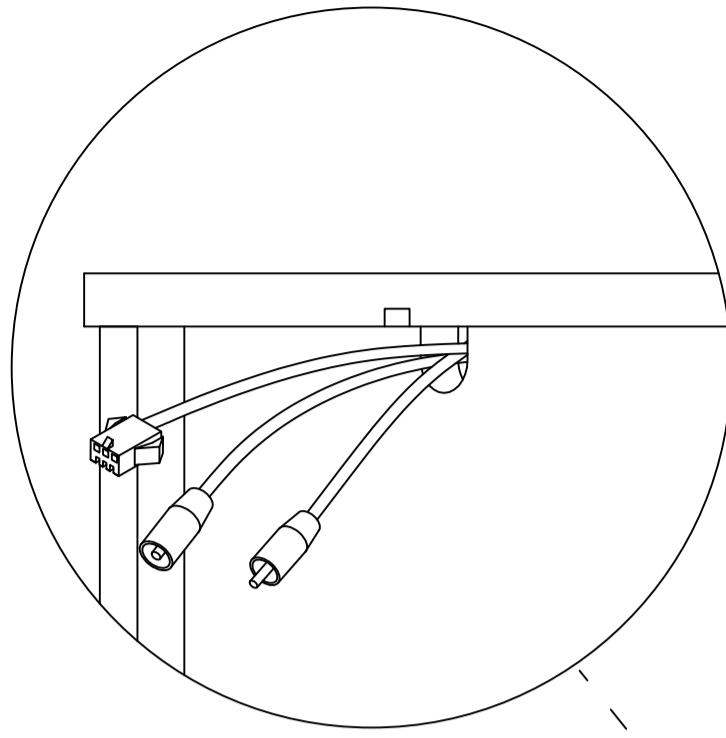
# Step 38

B



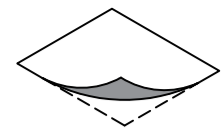
x 8

Thread the line through the hole before proceeding to the next step

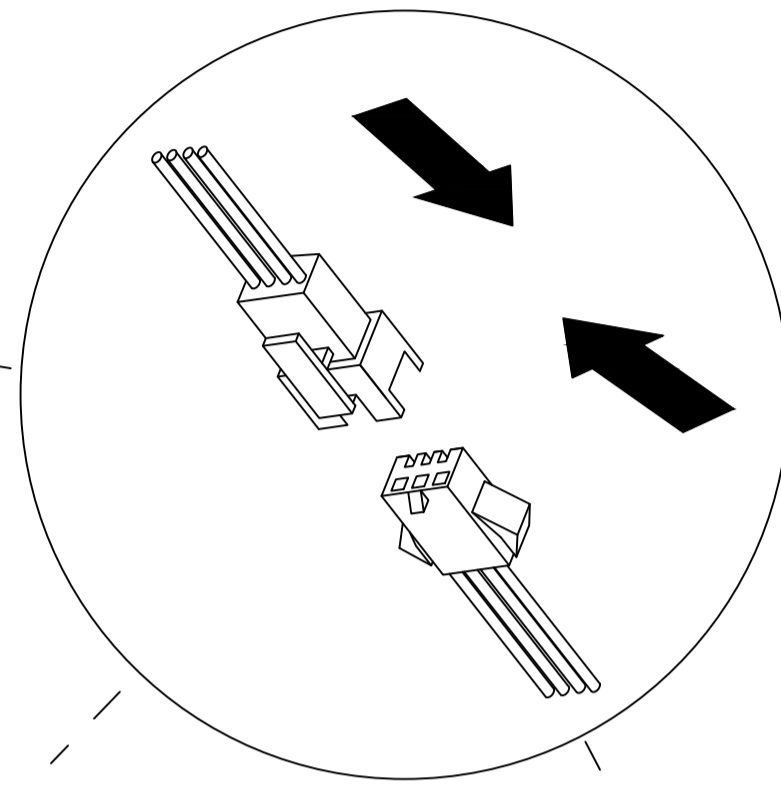
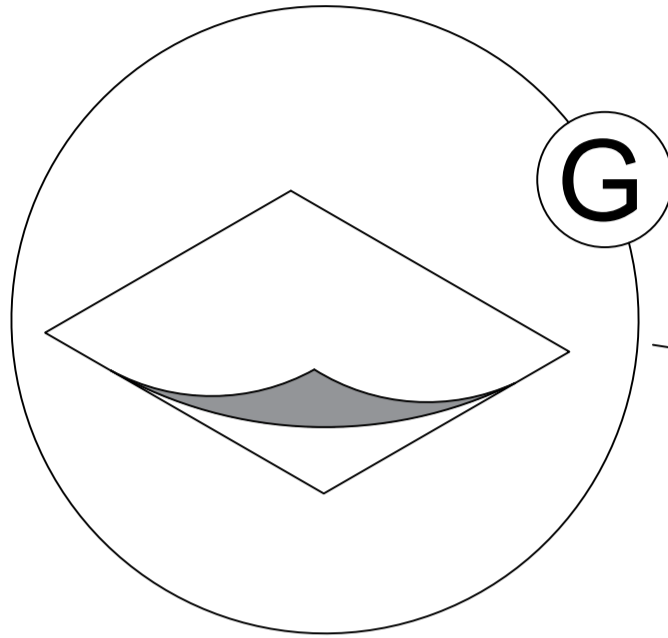


# Step 39

G



x 1

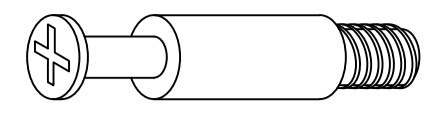


Paste stickers after wiring is completed

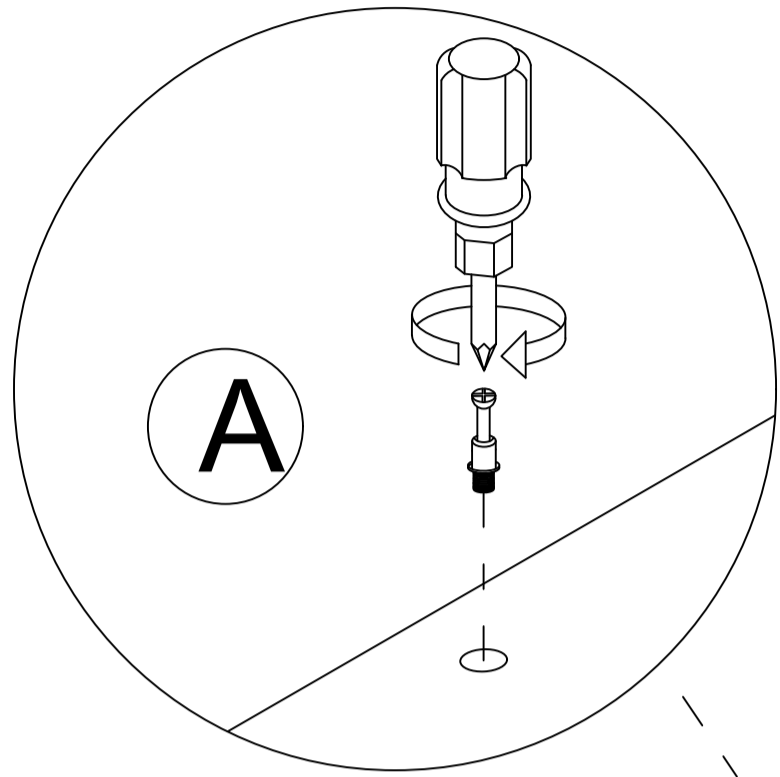


# Step 40

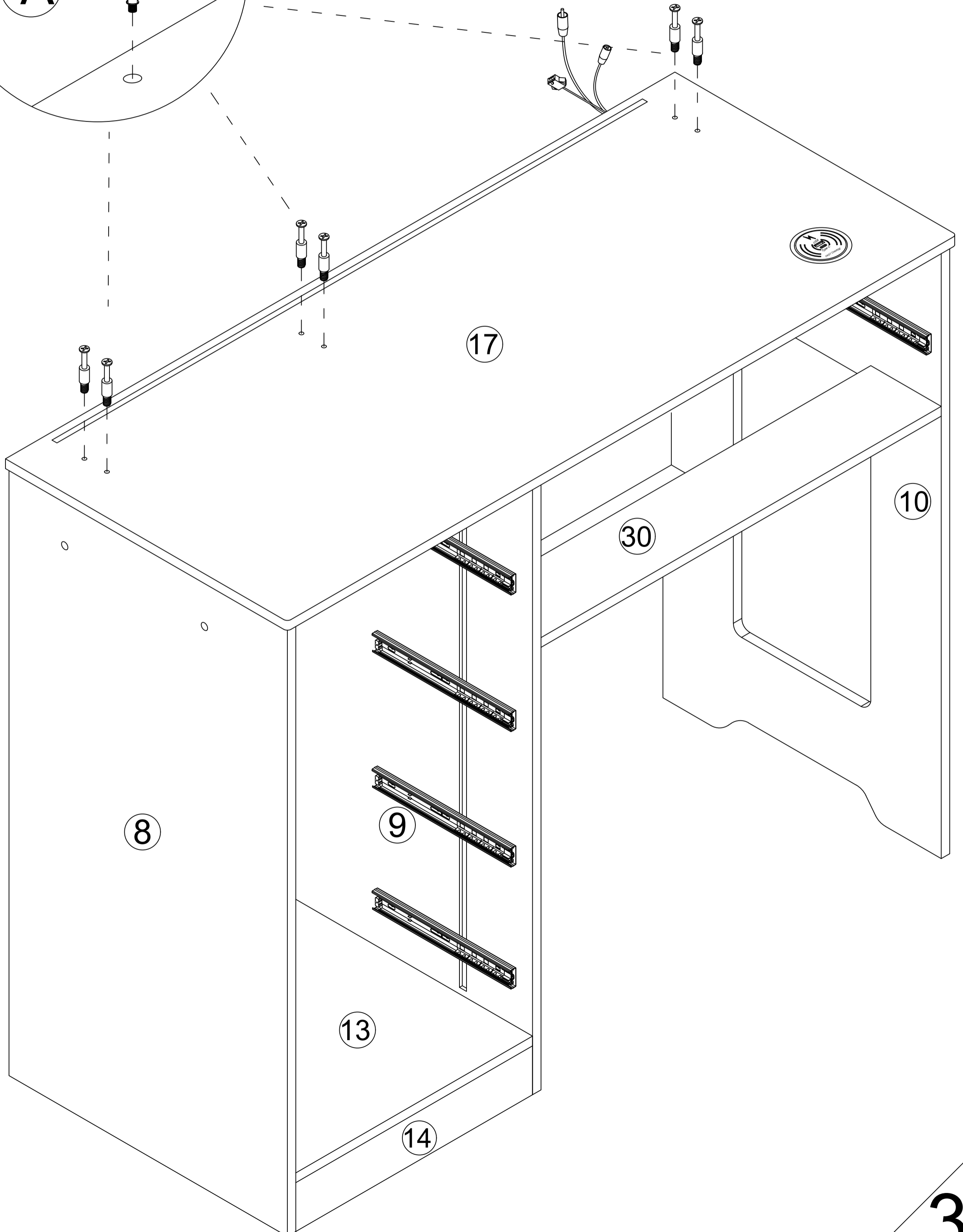
A

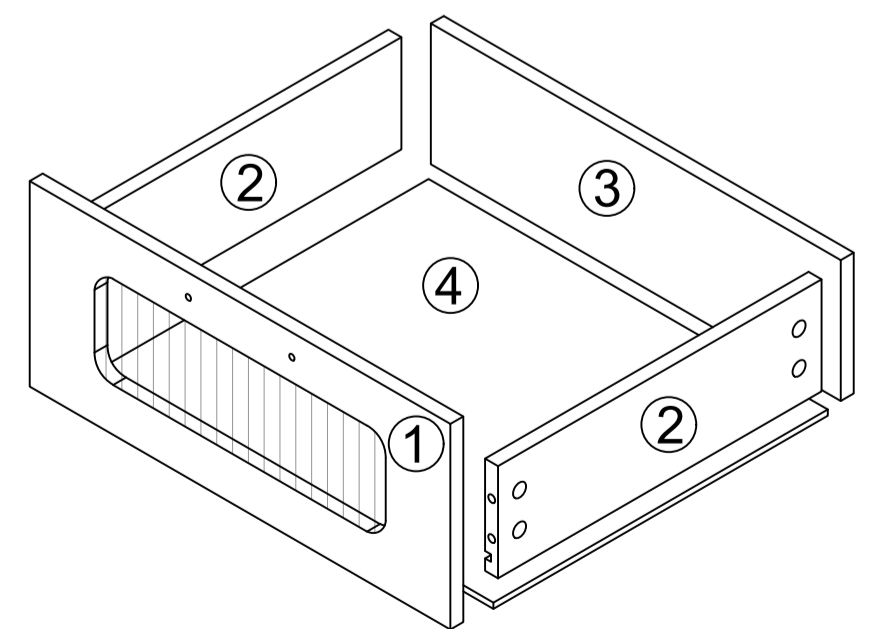
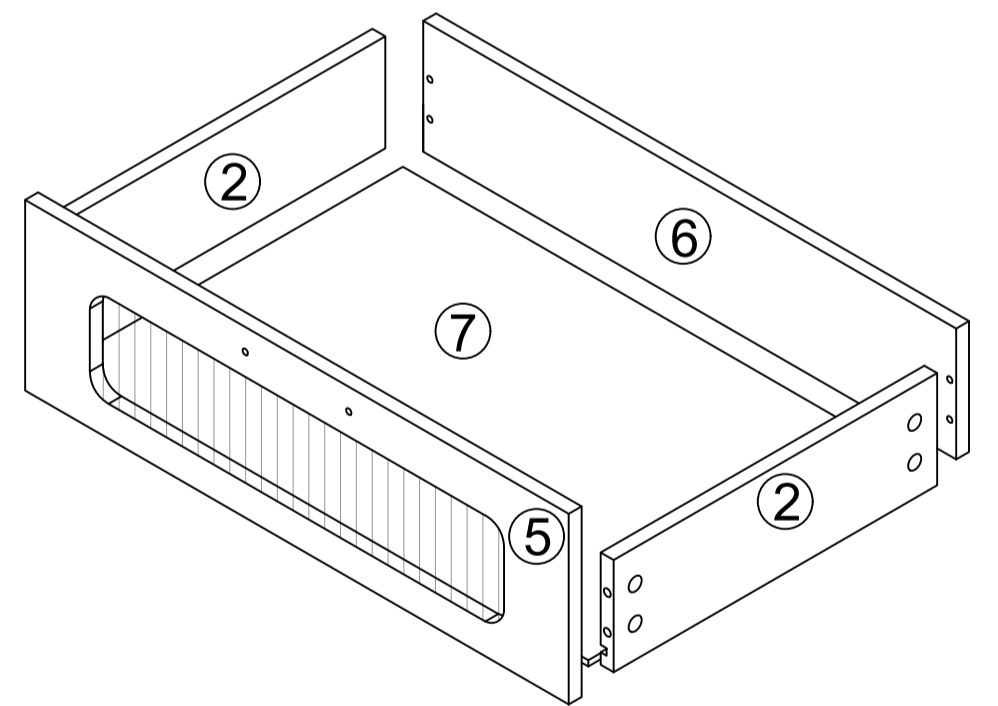
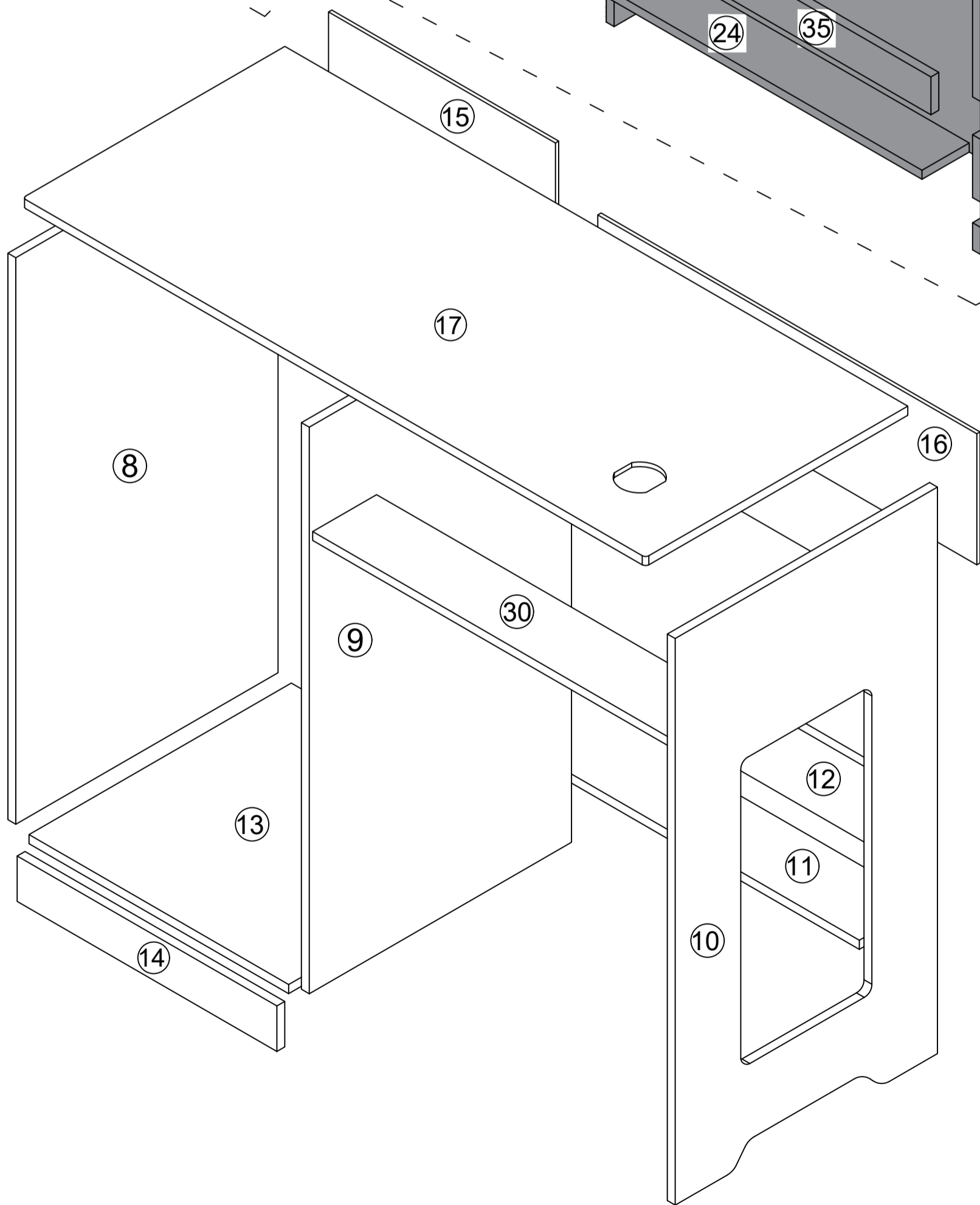
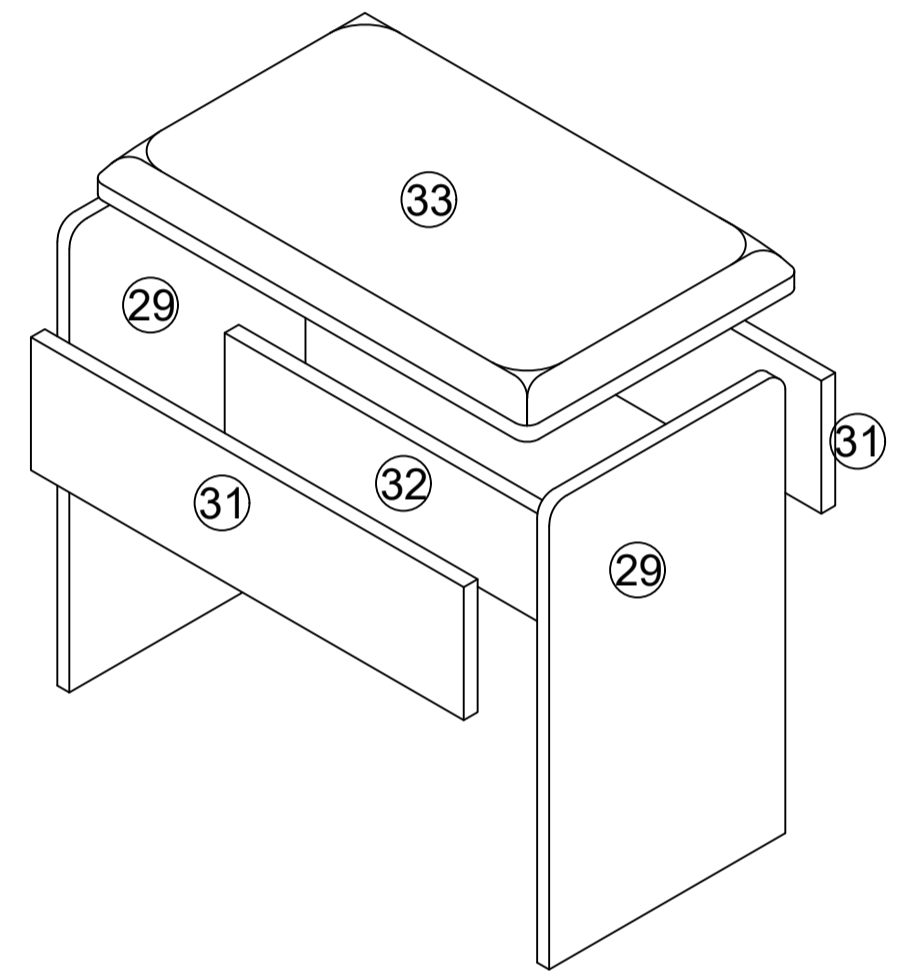
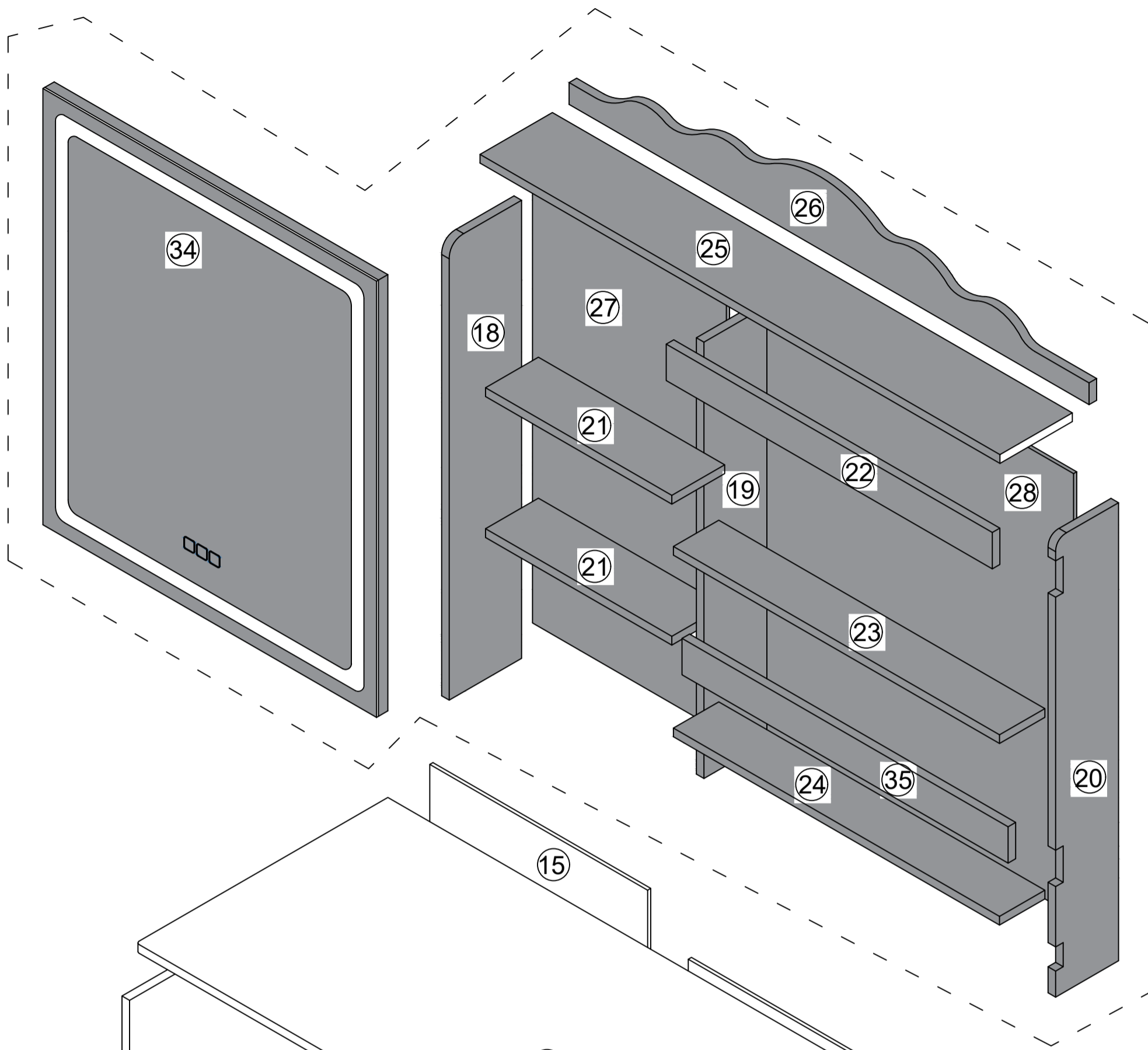


x 6

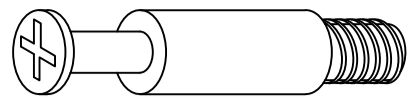
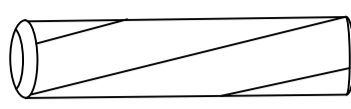


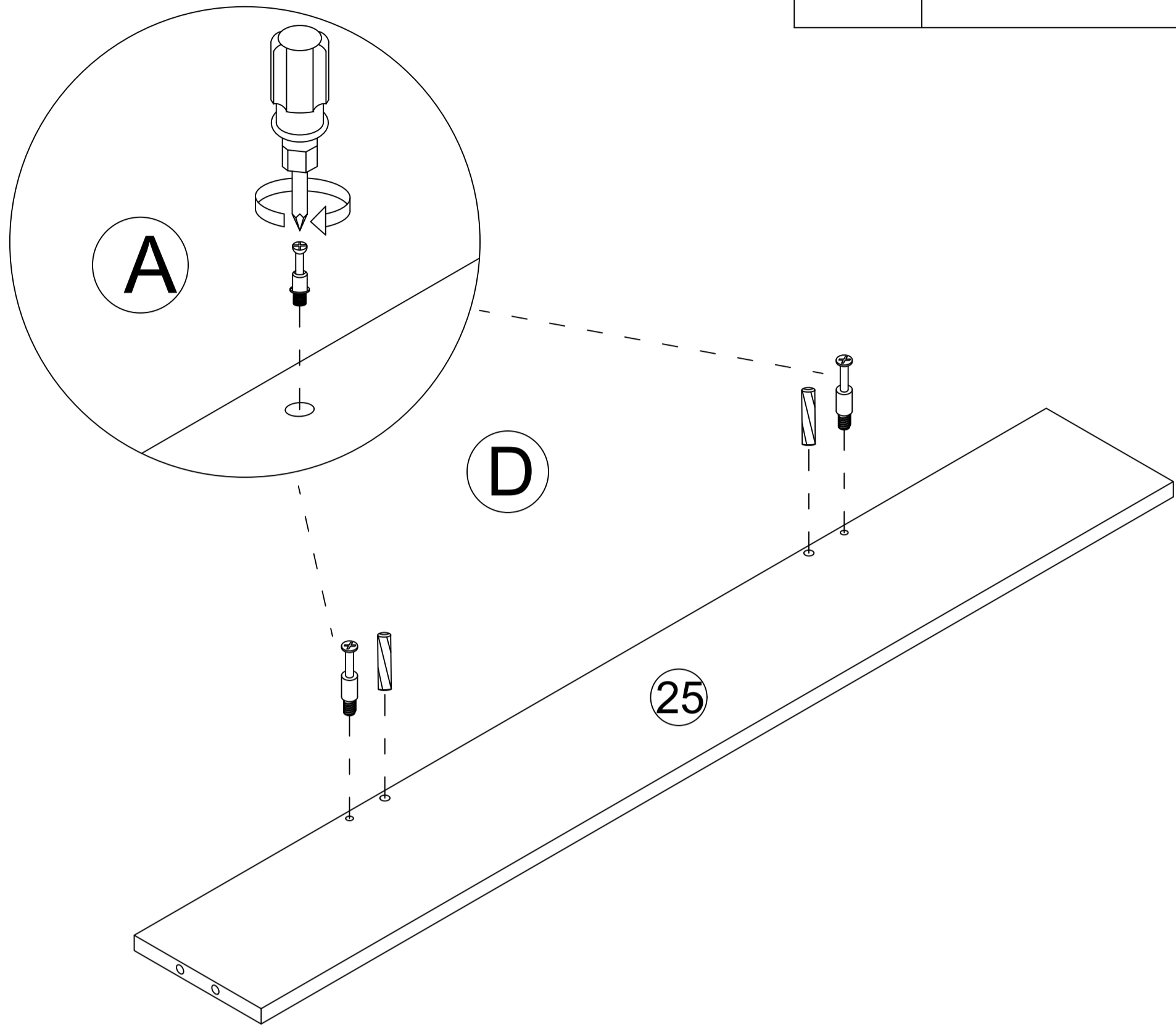
A






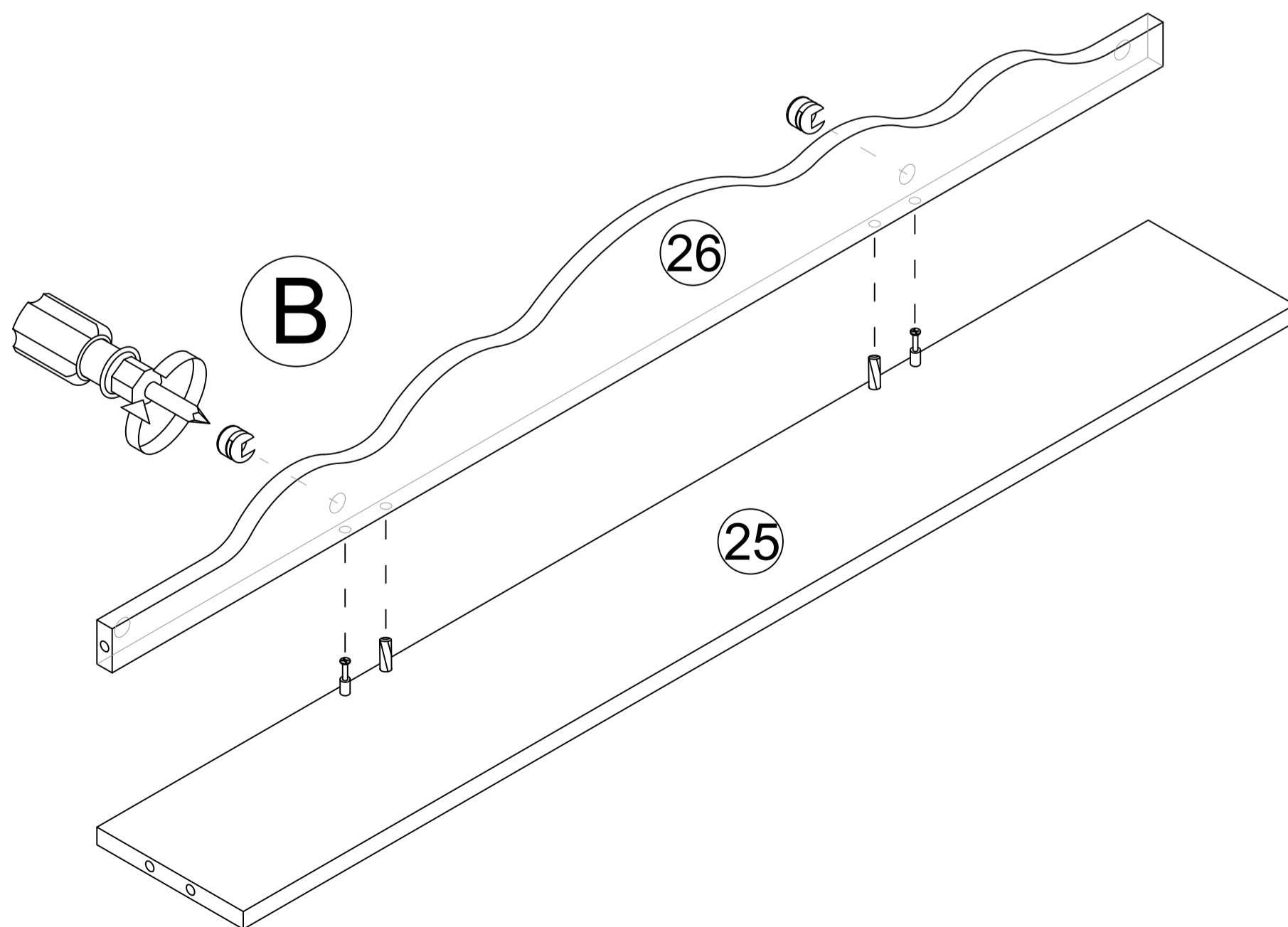
# Step 41

|          |   |
|----------|---|
| <b>A</b> |  x 2  |
| <b>D</b> |  x 2 |

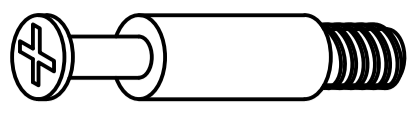


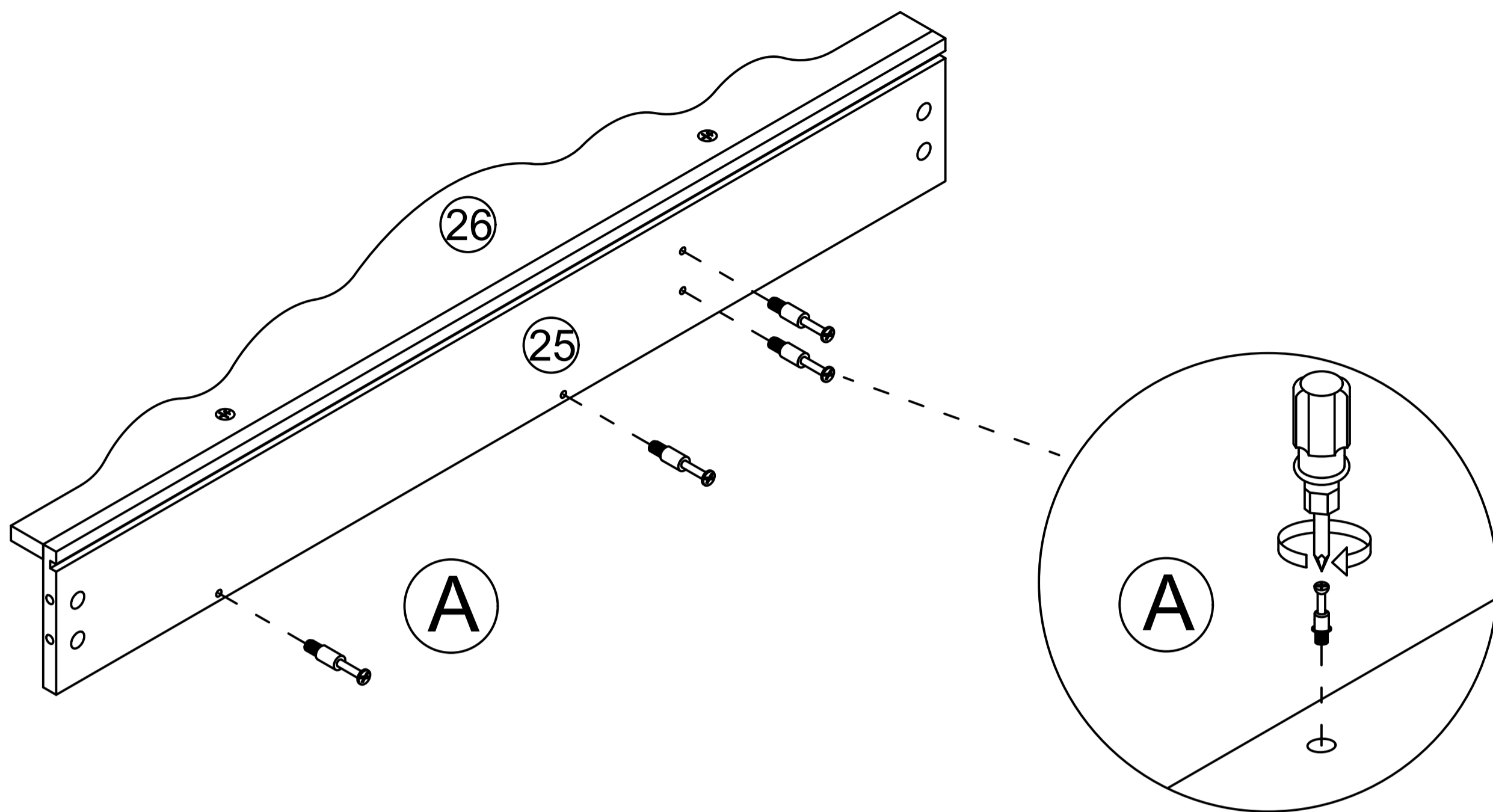
# Step 42

|          |   |
|----------|---|
| <b>B</b> |  x 2 |
|----------|---|

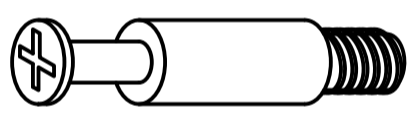


# Step 43

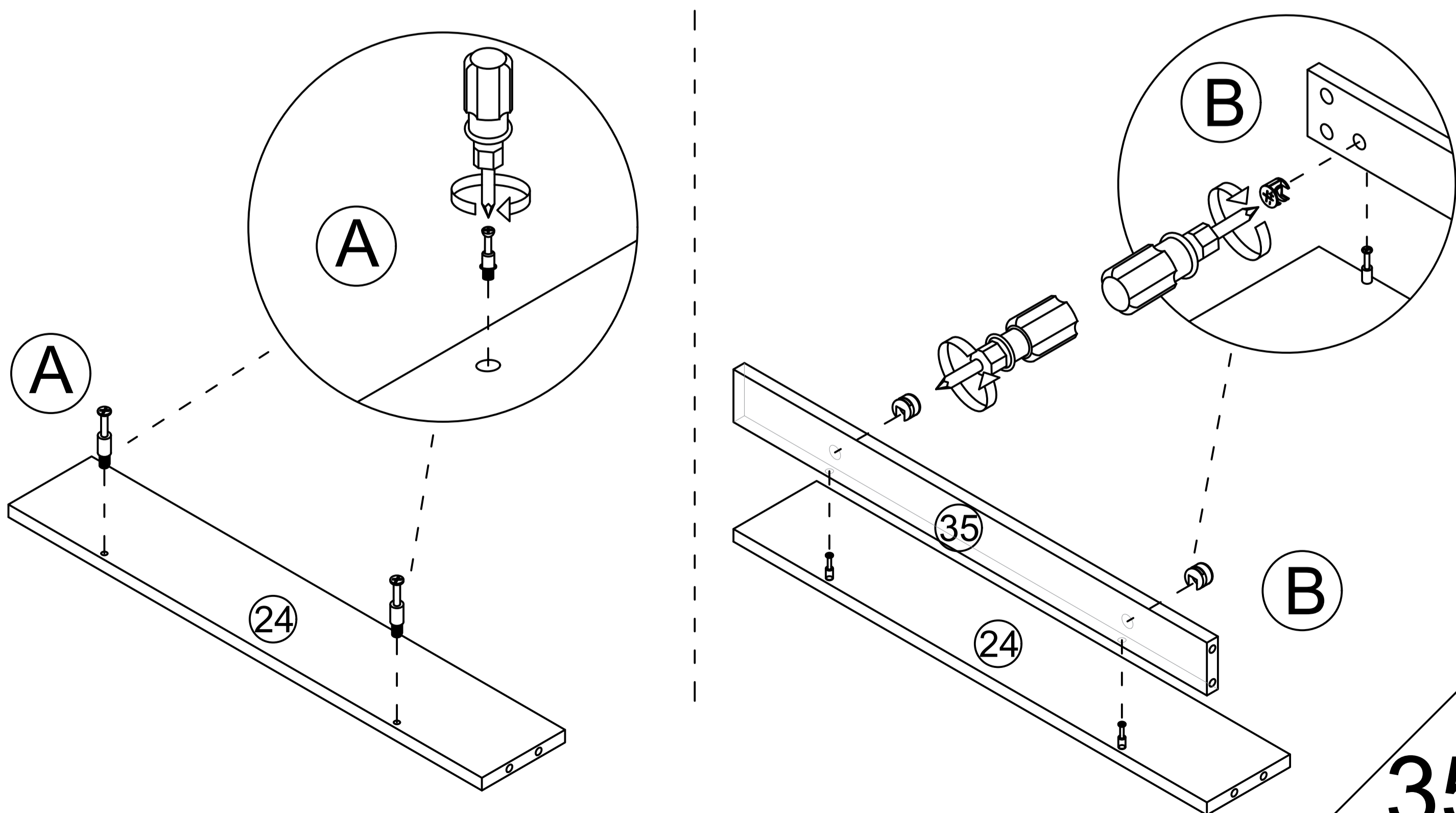
**A**  x 4



# Step 44

**A**  x 2

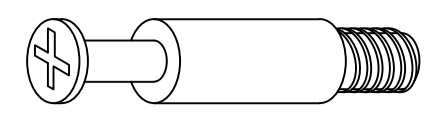
**B**  x 2



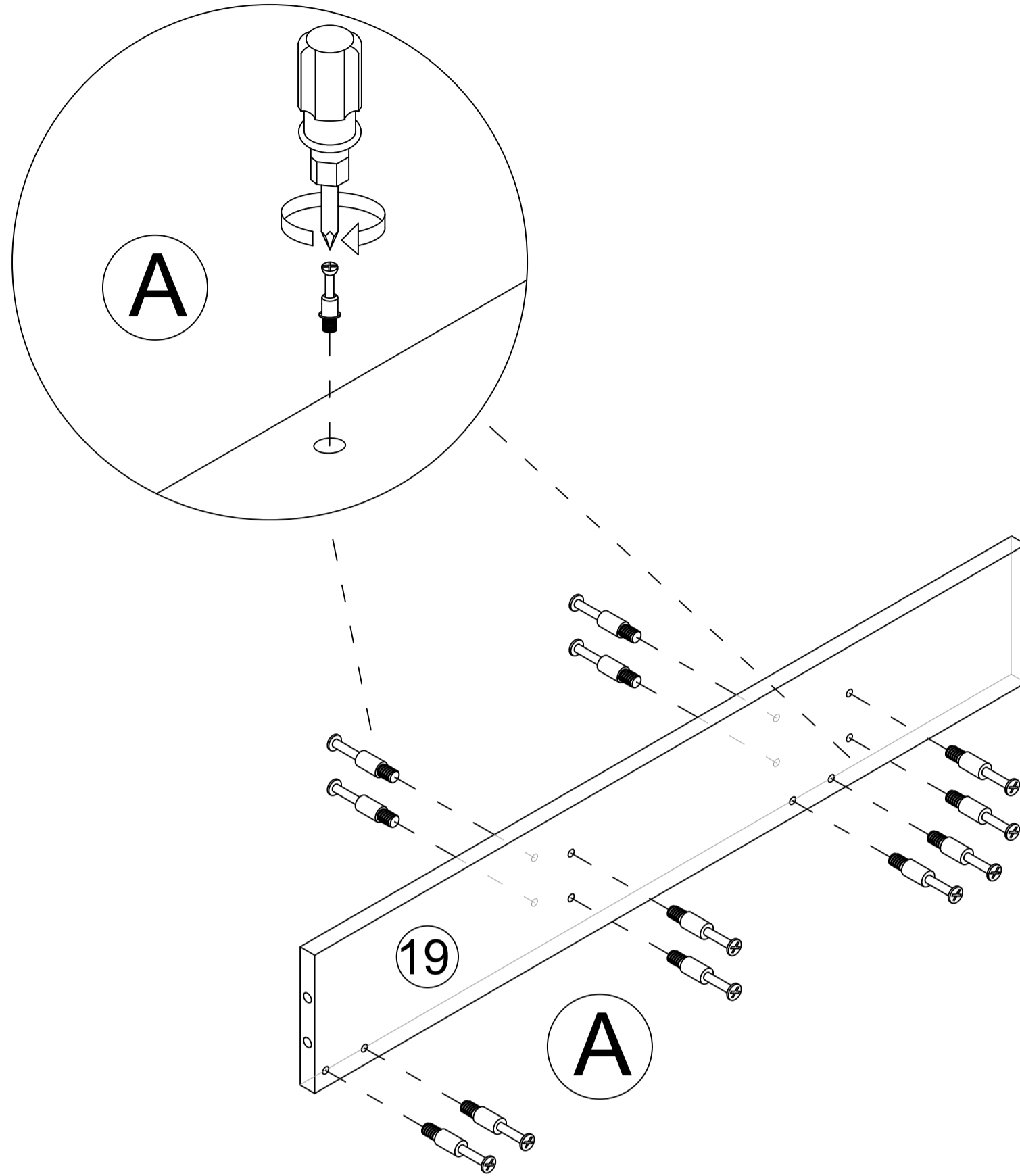
**35**

# Step 45

A



x 12

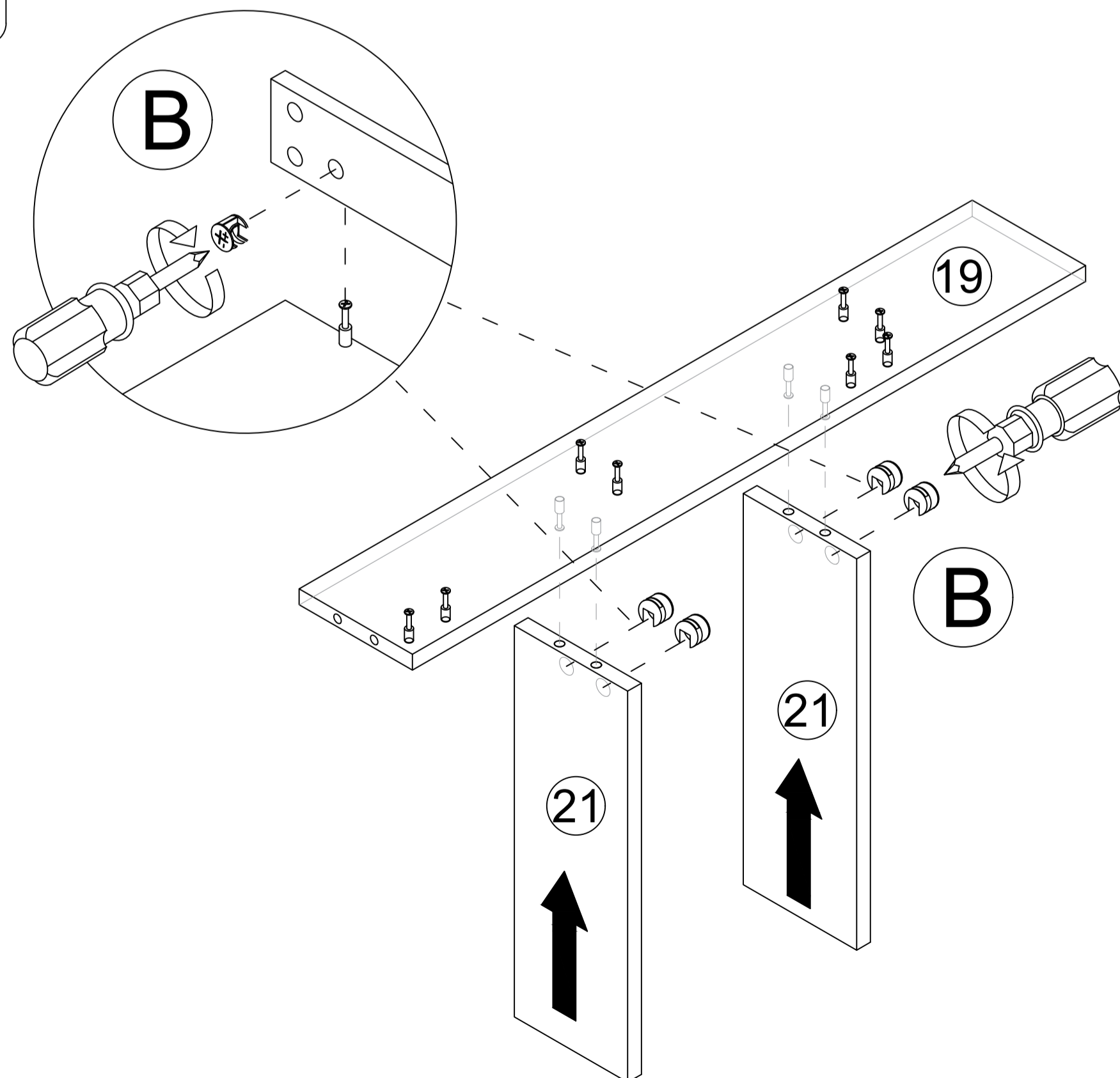


# Step 46

B

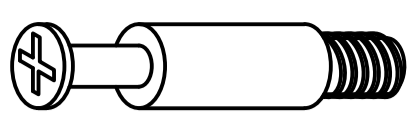


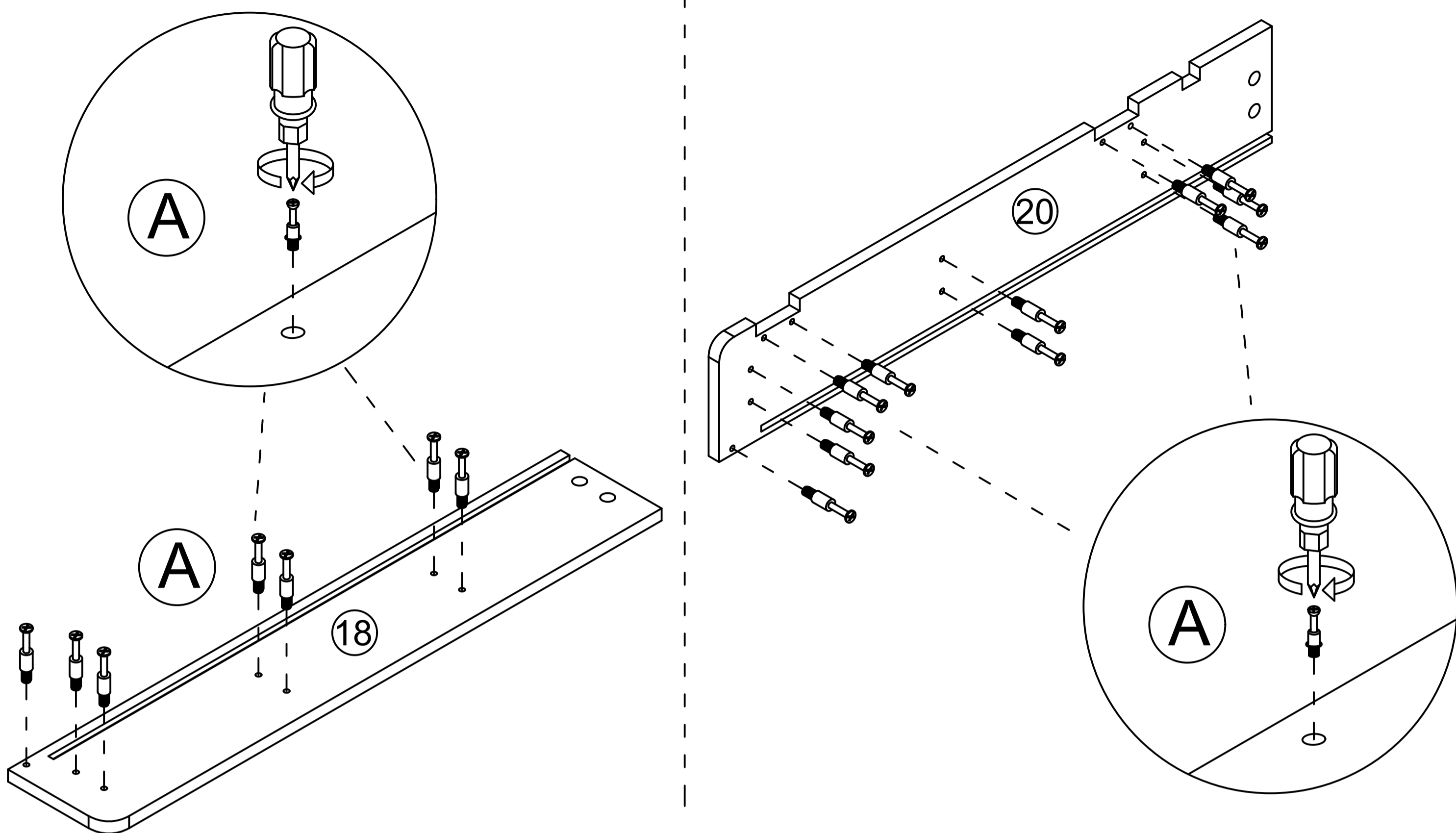
x 4





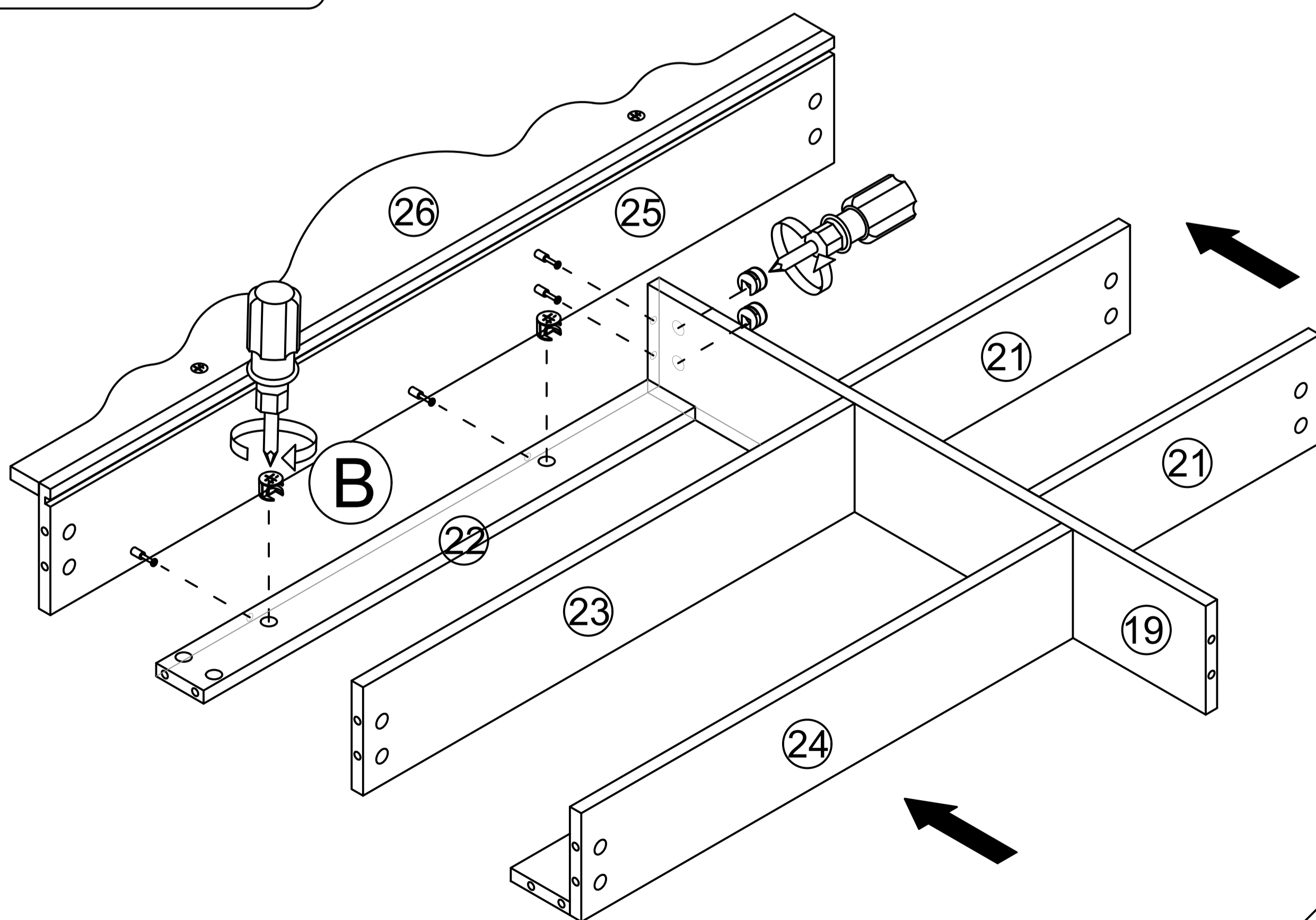
# Step 48

**A**  x 18



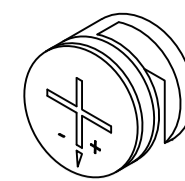
# Step 49

**B**  x 4

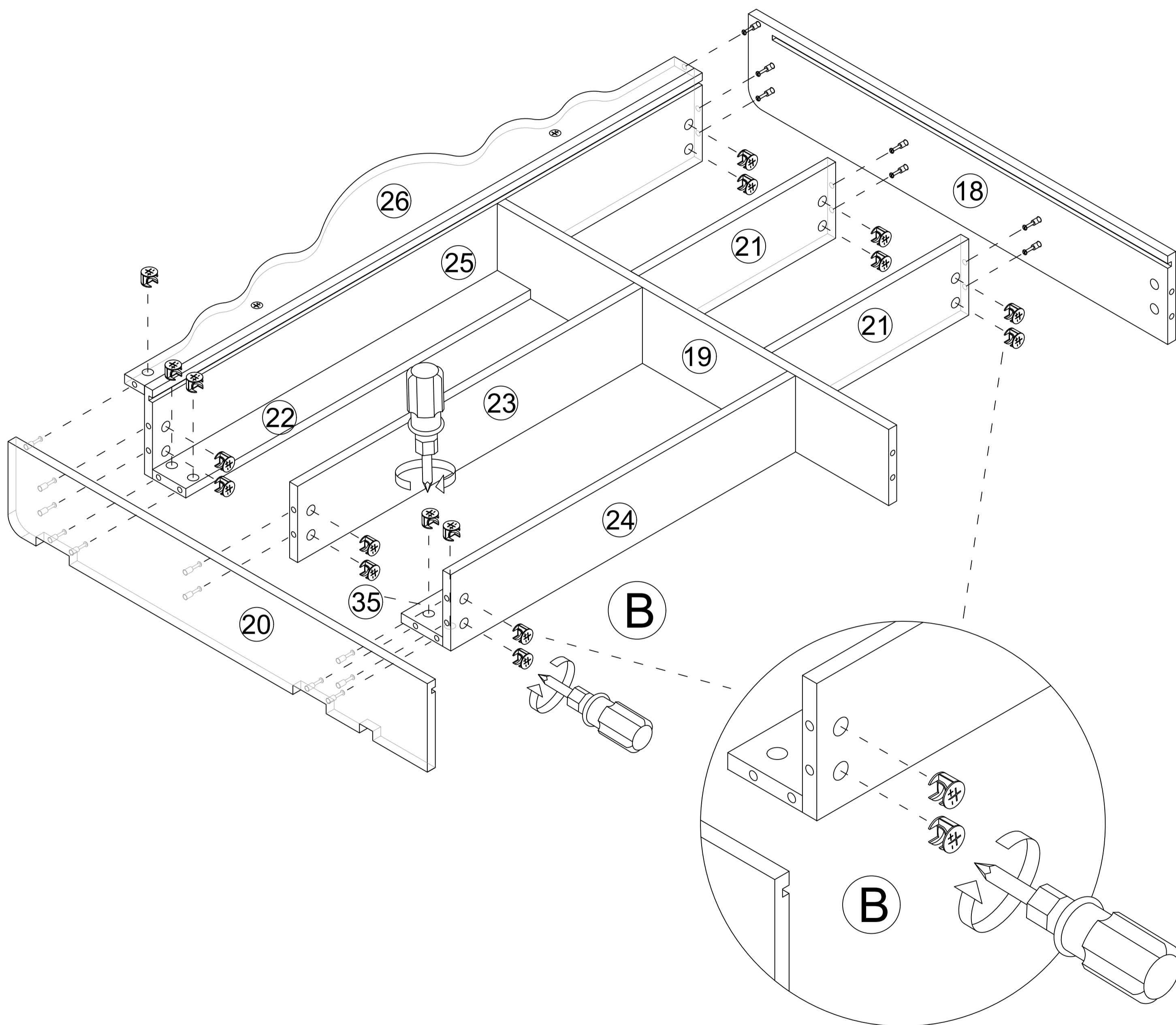


# Step 50

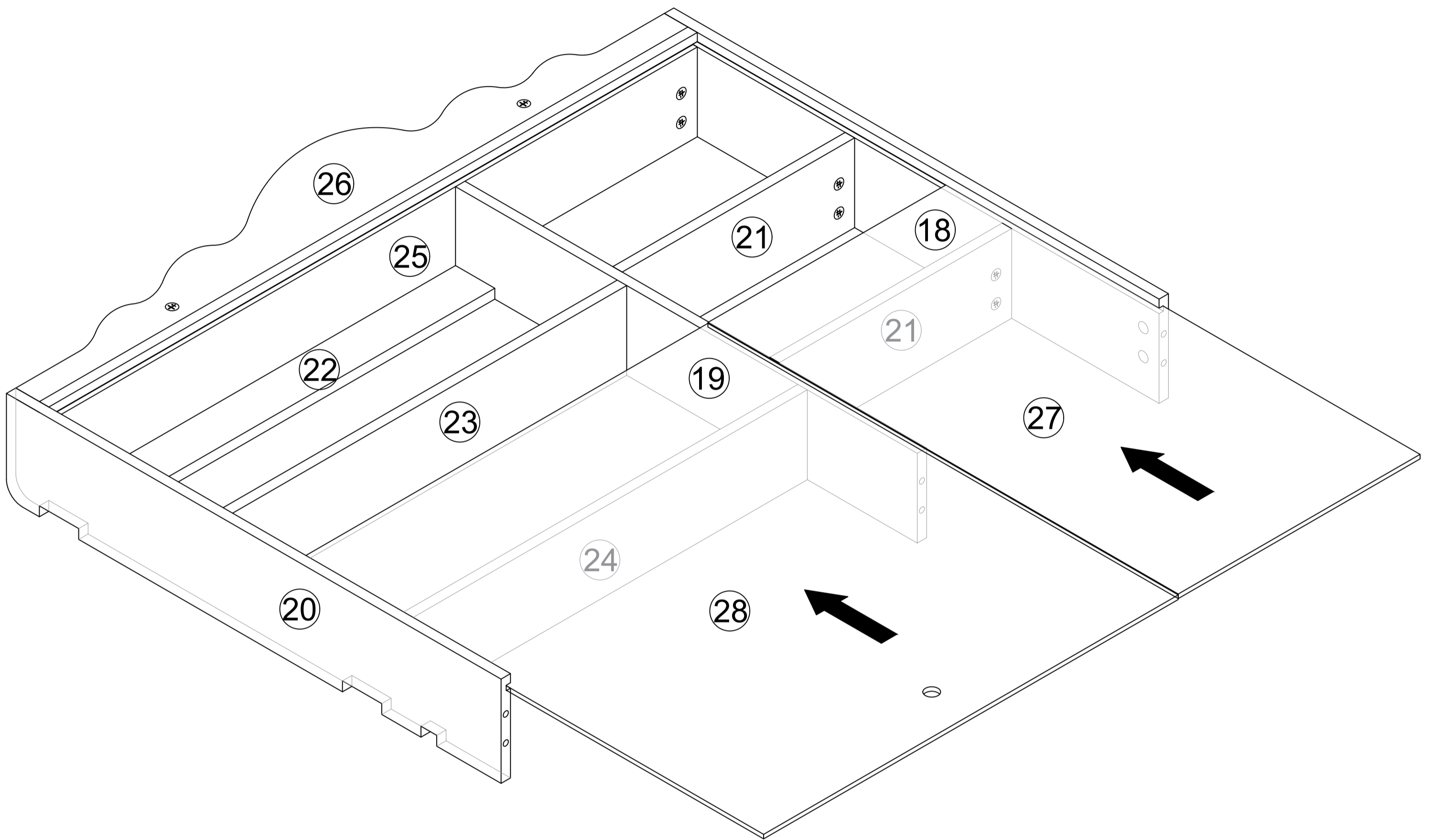
B



x 18

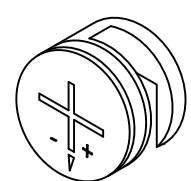



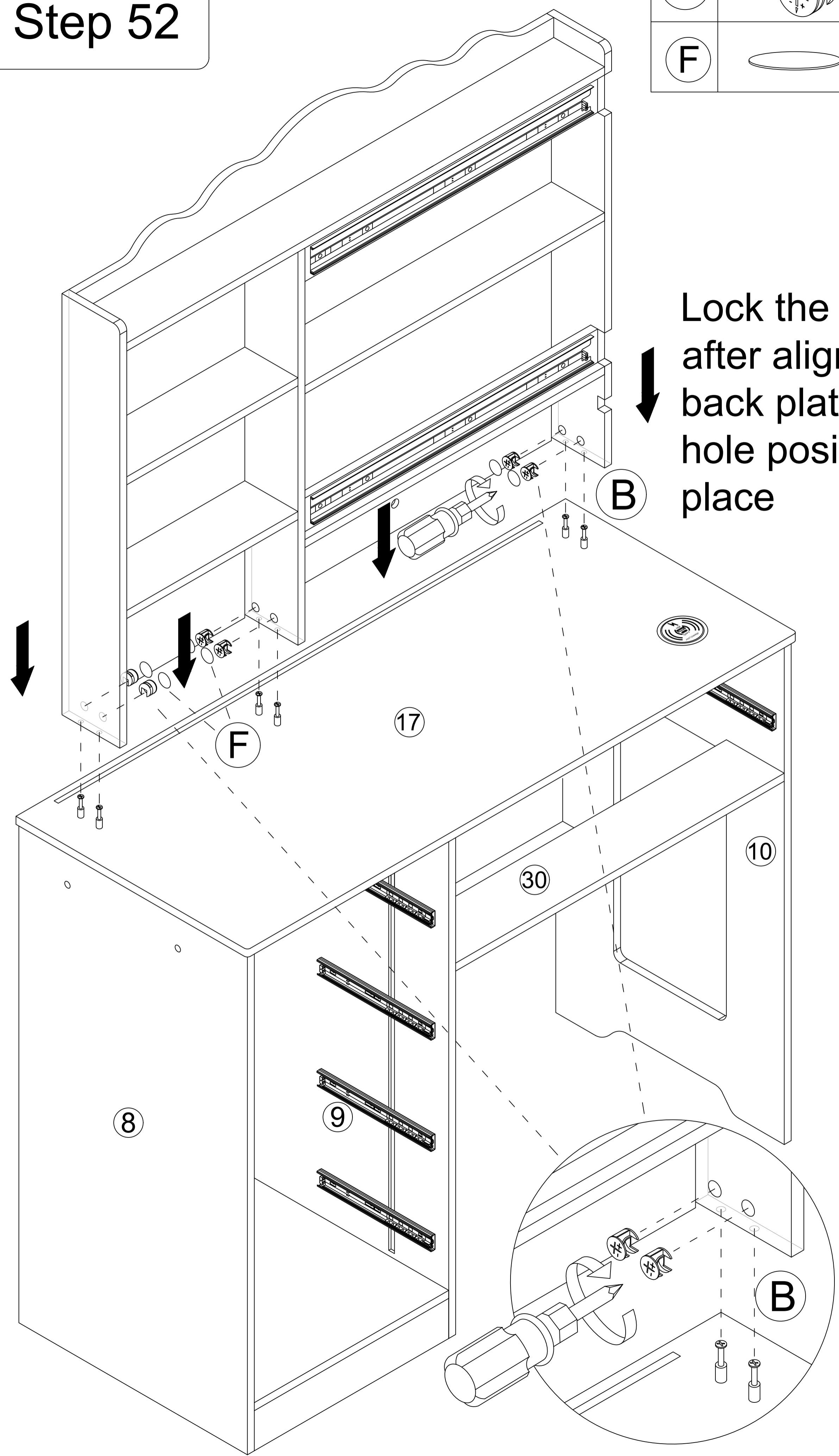
# Step 51



Push the backplane into place from the card slot

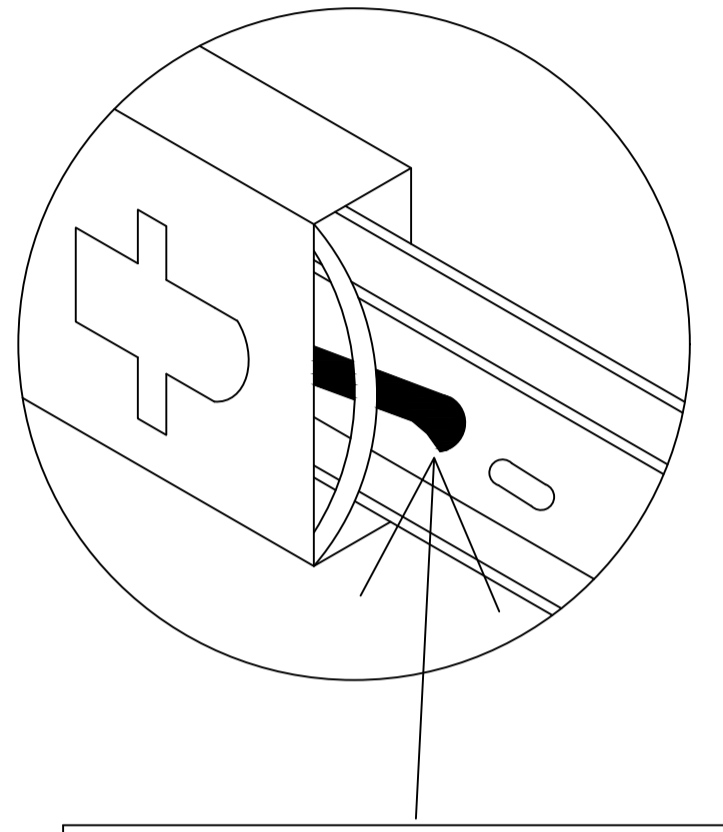
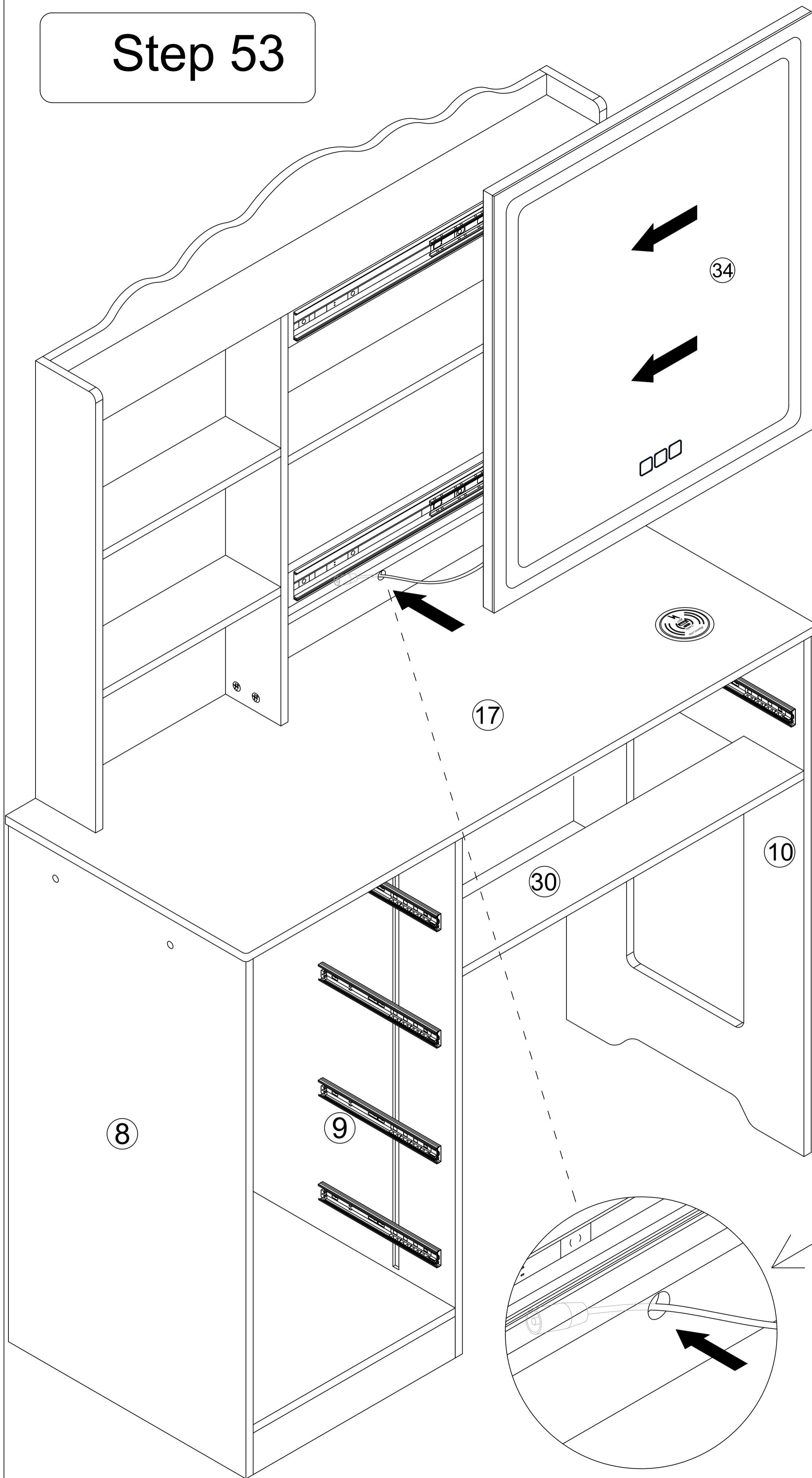
# Step 52

|   |   |     |
|---|---|-----|
| B |   | x 6 |
| F |  | x 6 |

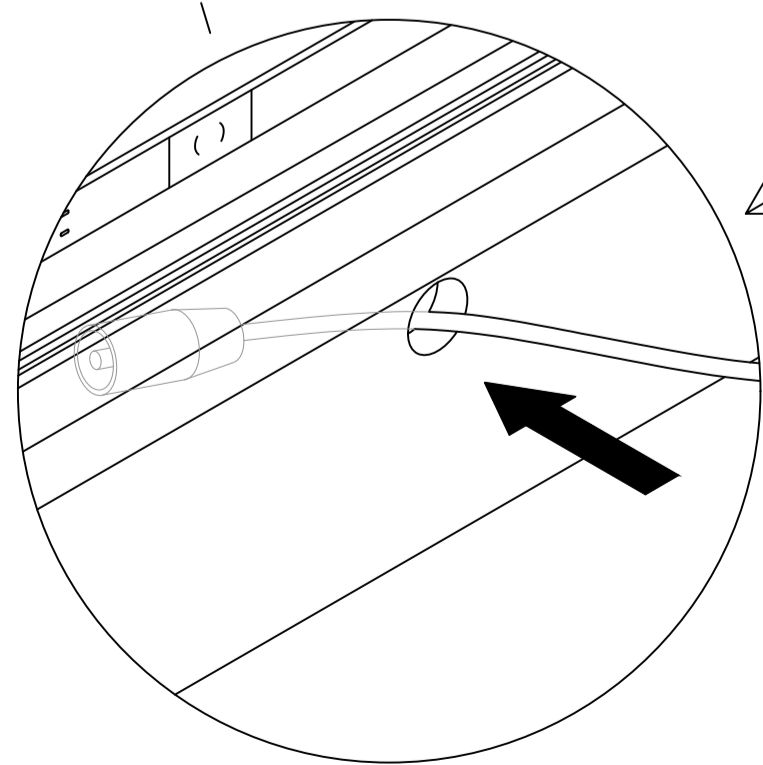


Lock the screws after aligning the back plate and hole positions in place

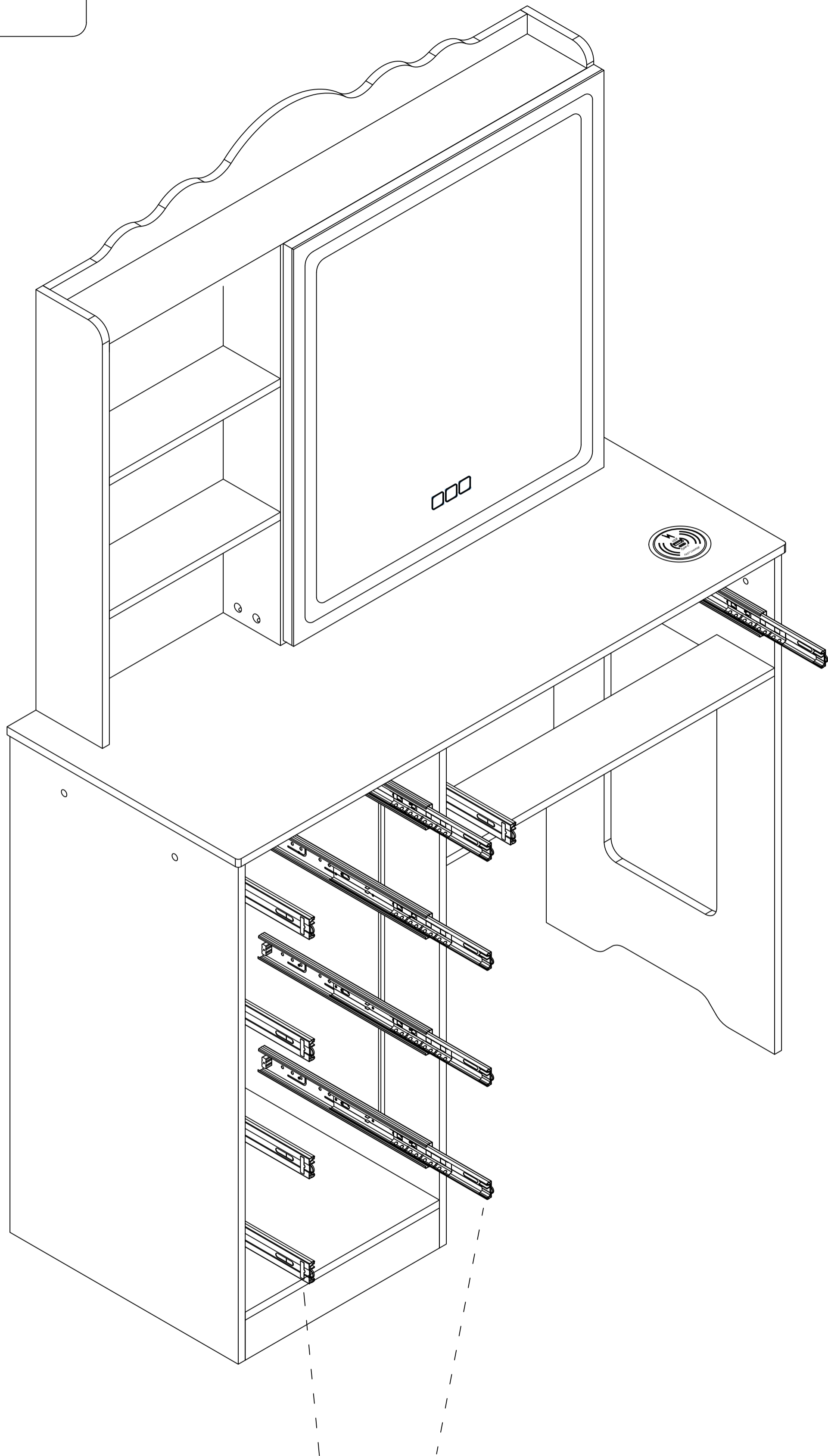
# Step 53



Adjustment switch to connect with mirror is on side of the rail. Pull out rail to find it. Find another person to help in mirror installation. leave cable inside the storage space behind. Fix 2 rails from end for connection. Align with the slots behind the mirror and connect with the rail on vanity.

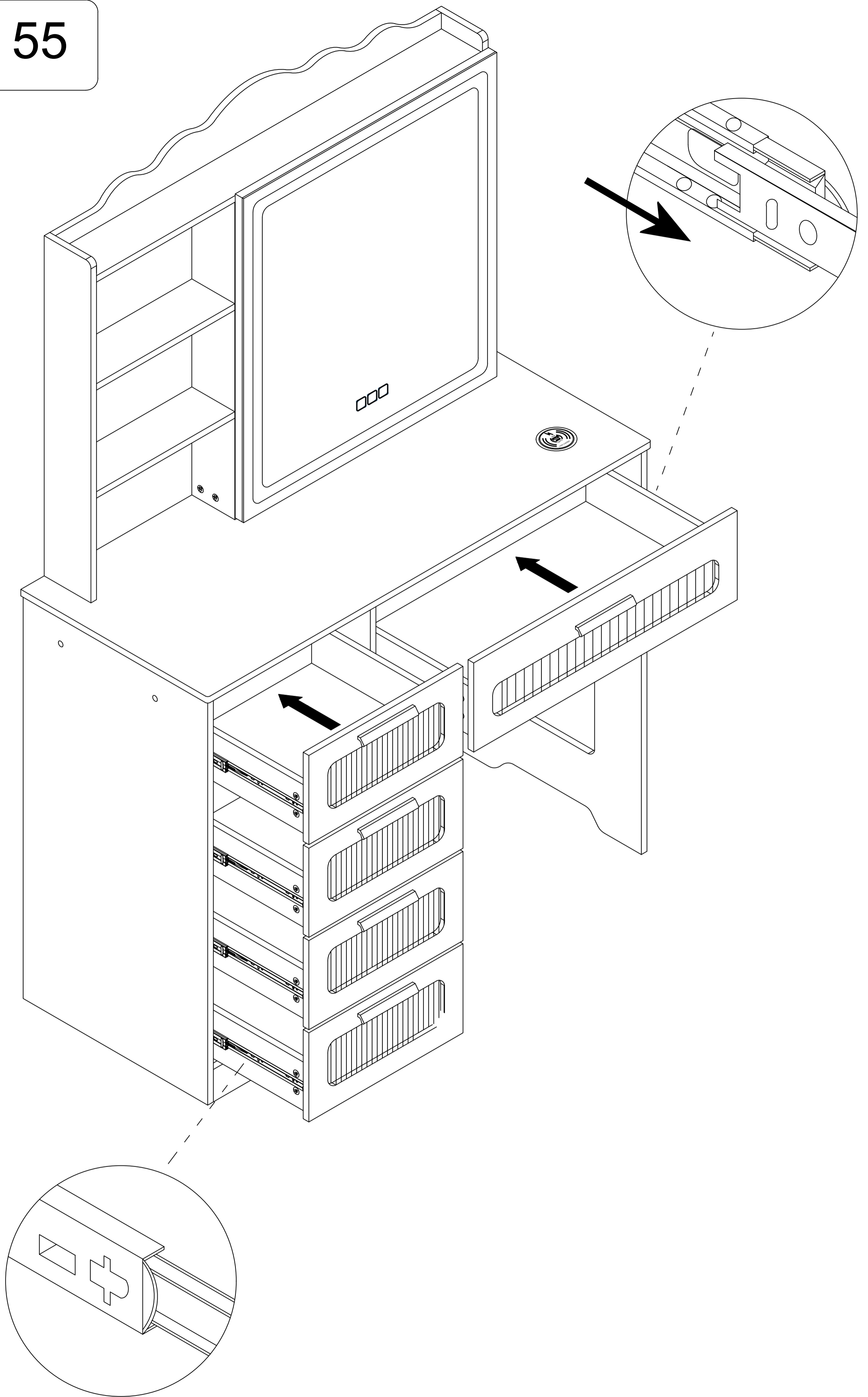


# Step 54



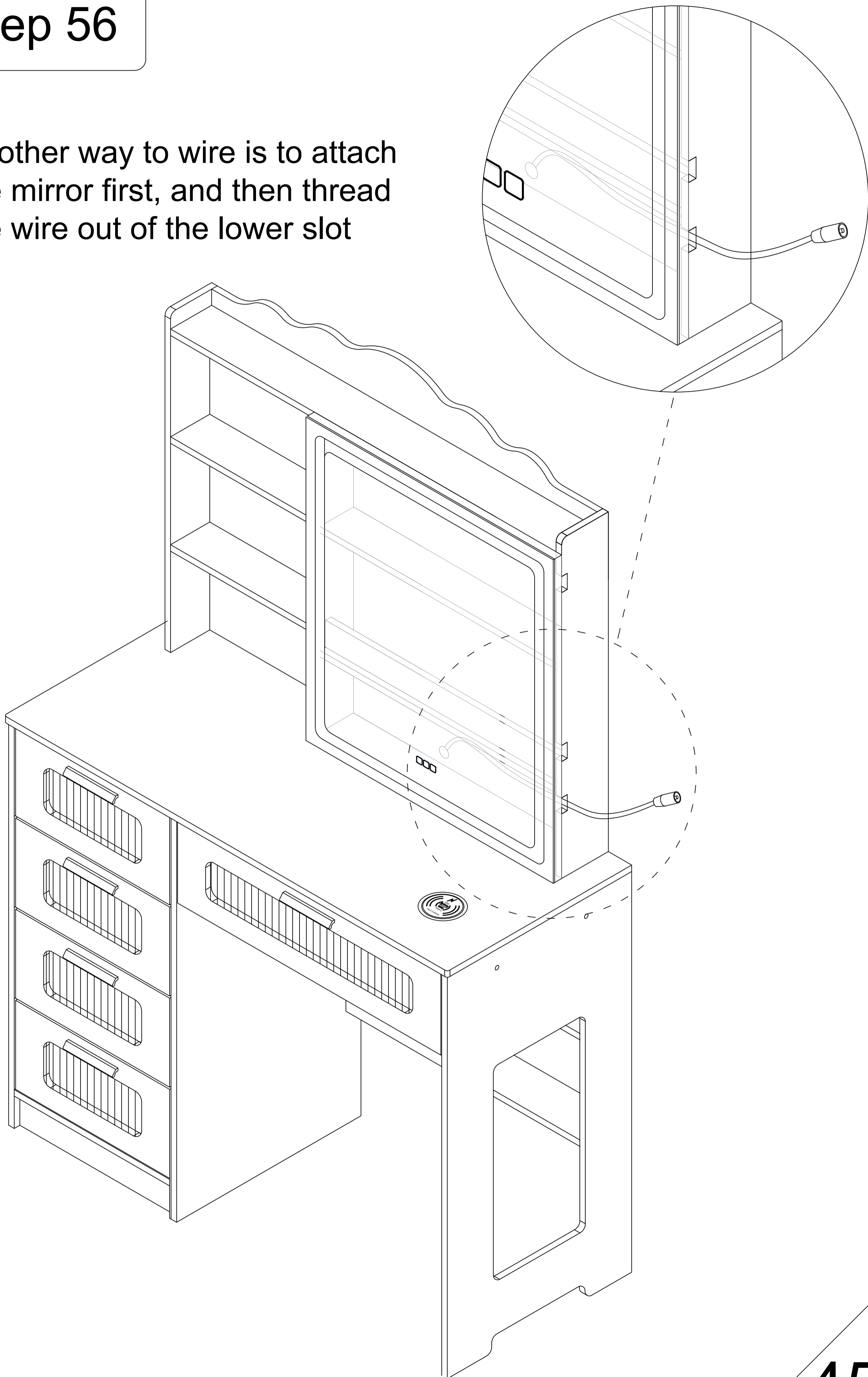
As shown, When installing the drawer, pull the guide rail out first, Slide beads are also pulled out.

# Step 55


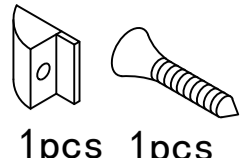
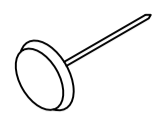
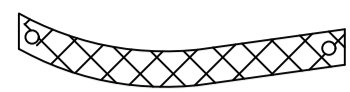
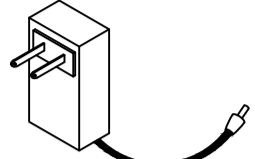


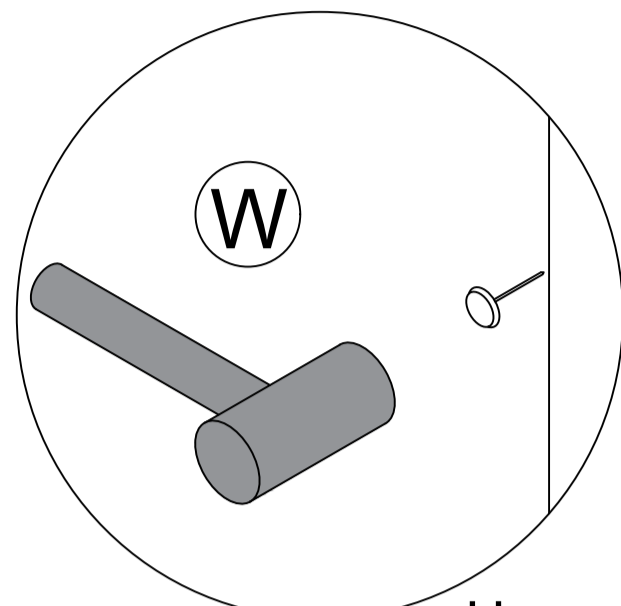
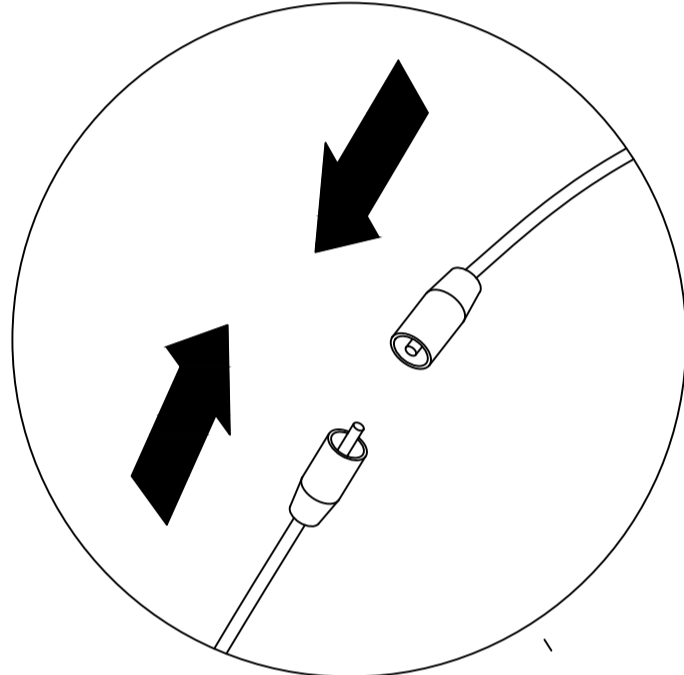
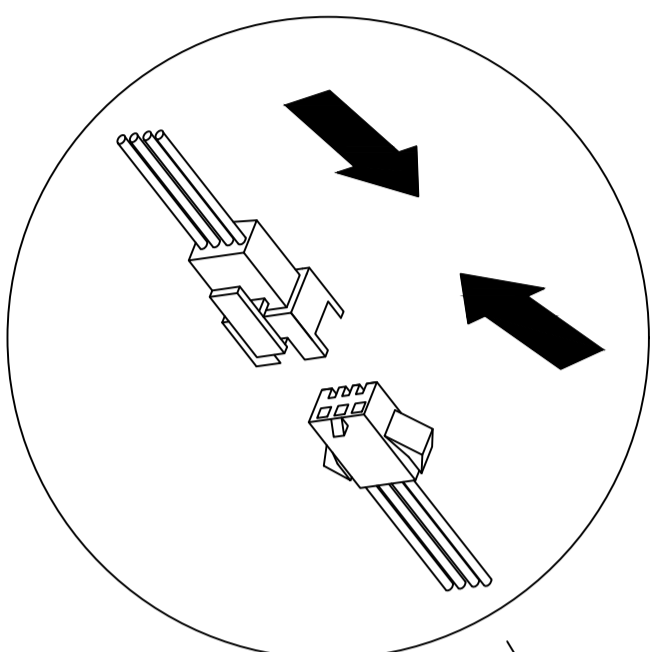
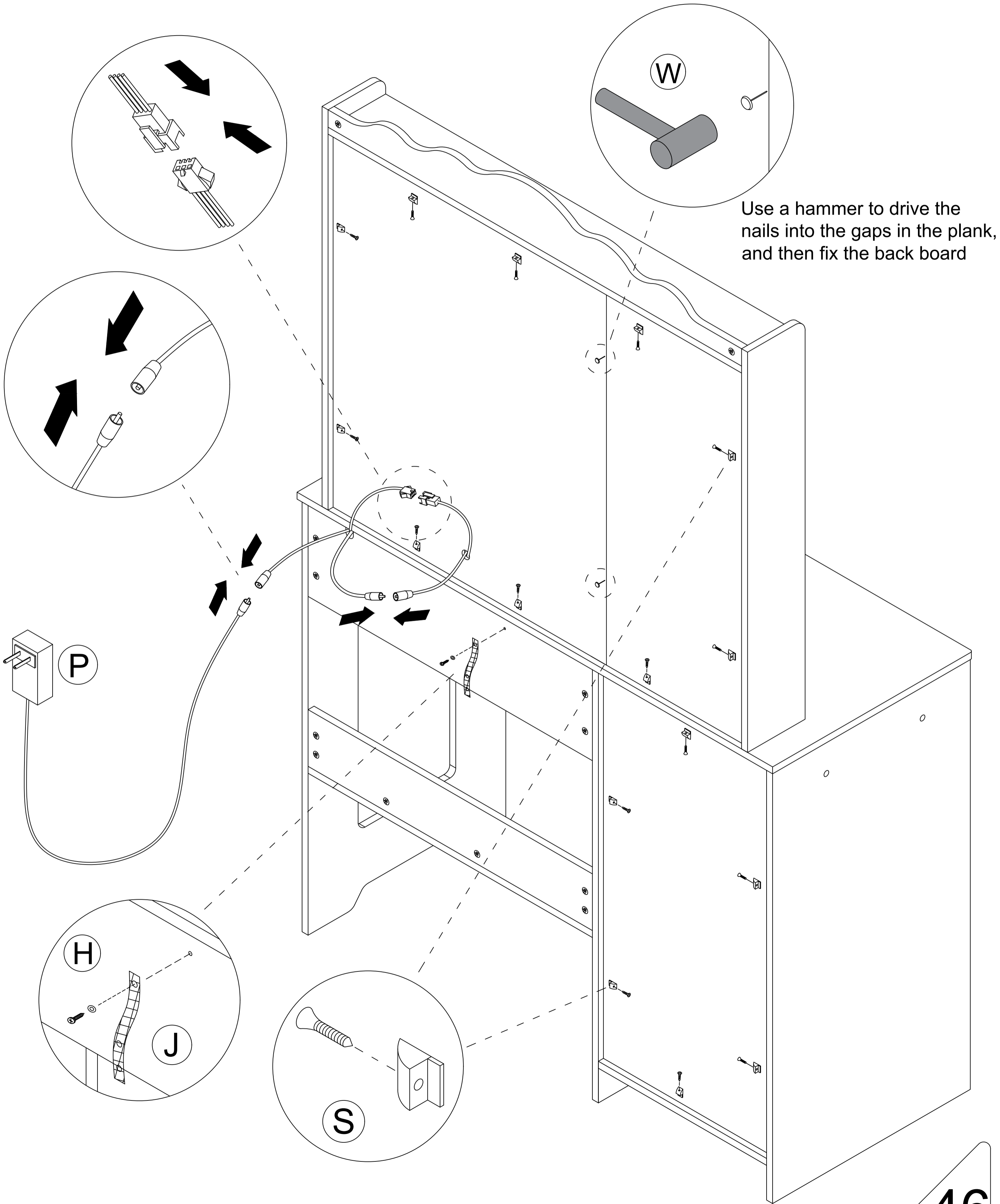
# Step 56

Another way to wire is to attach the mirror first, and then thread the wire out of the lower slot

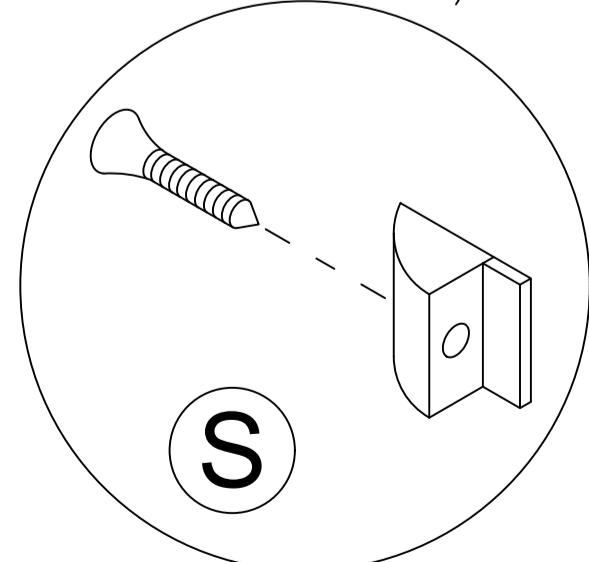
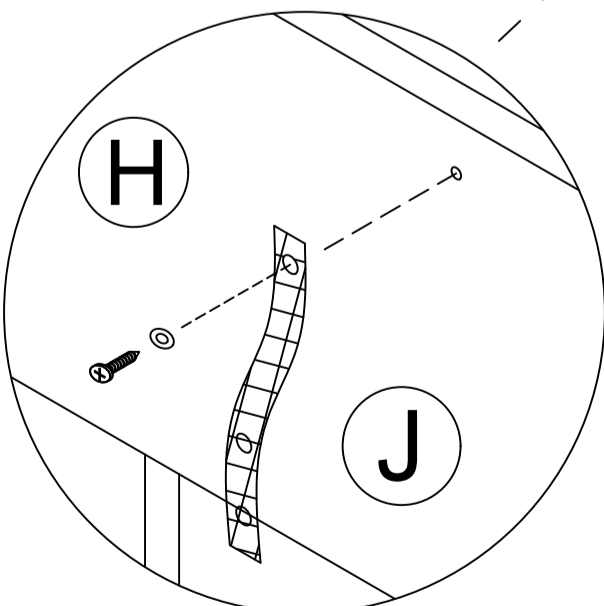


# Step 57

|     |   |     |     |   |      |
|-----|---|-----|-----|---|------|
| (H) |  | x 1 | (S) | <br>1pcs 1pcs | x 16 |
| (W) |  | x 2 | (J) |              | x 1  |
|     |   |     | (P) |              | x 1  |

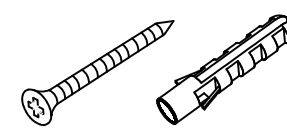


Use a hammer to drive the nails into the gaps in the plank, and then fix the back board

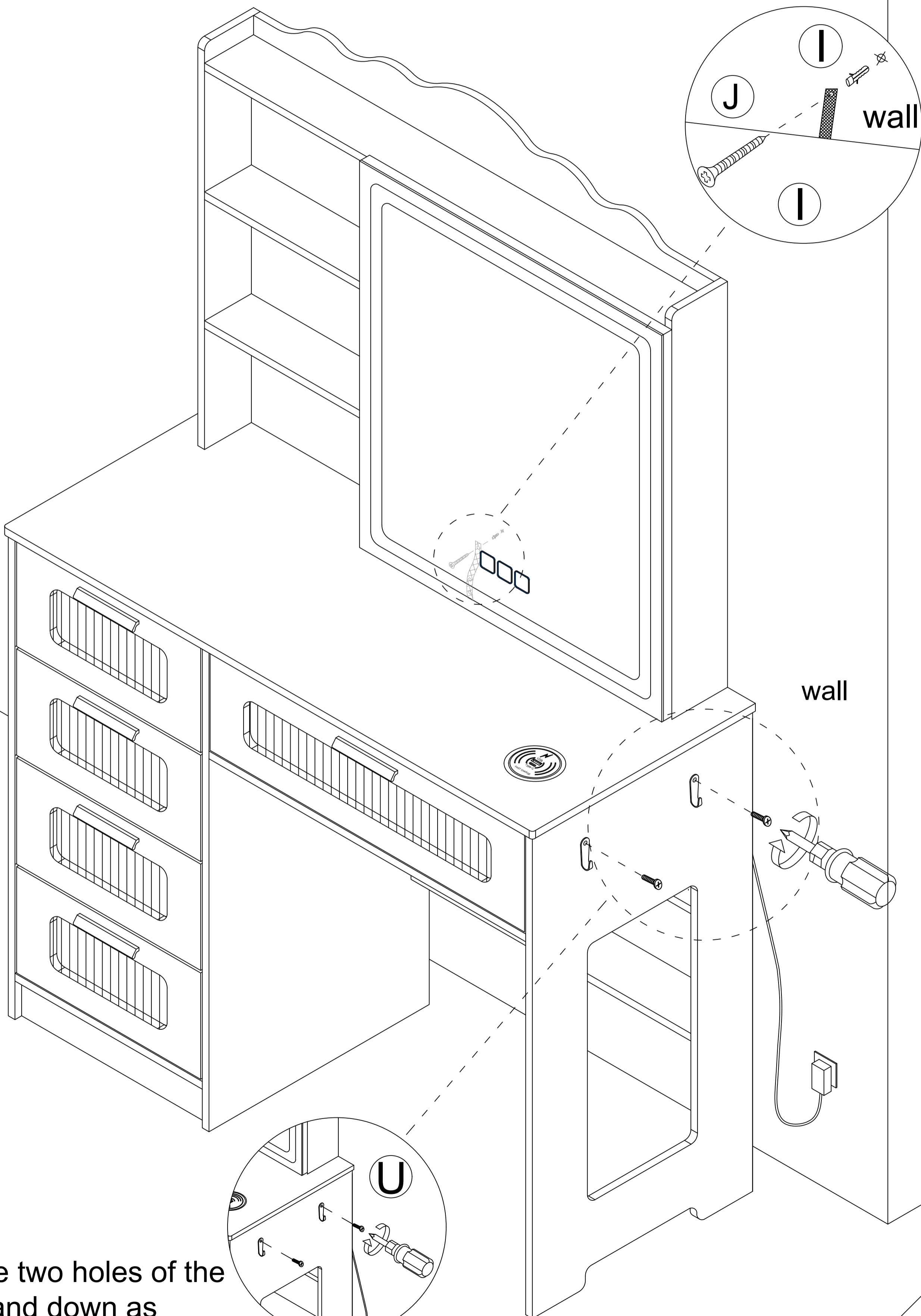
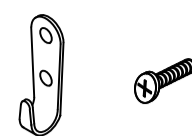


# Step 58

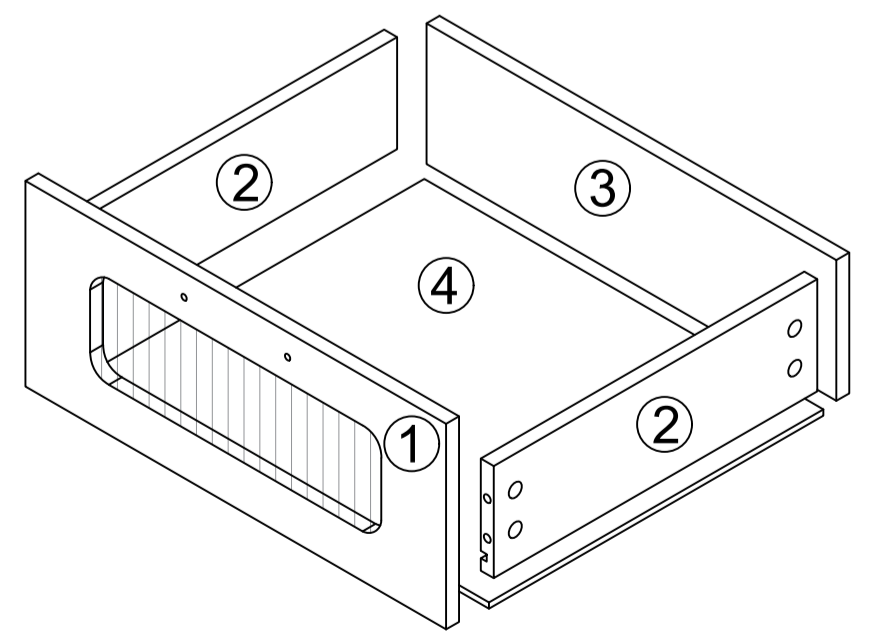
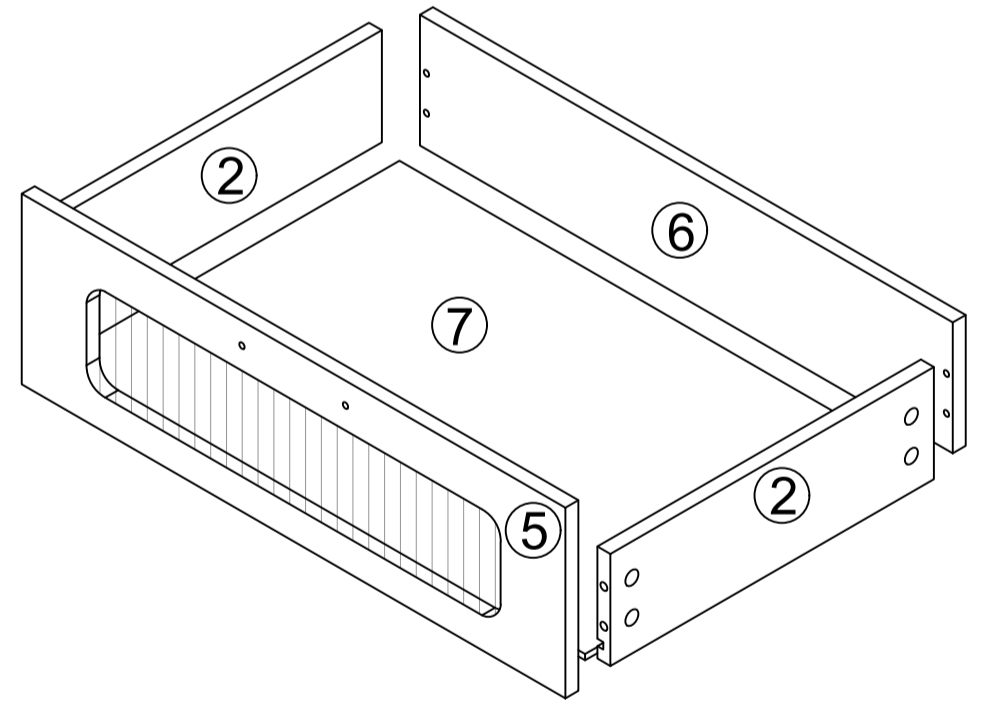
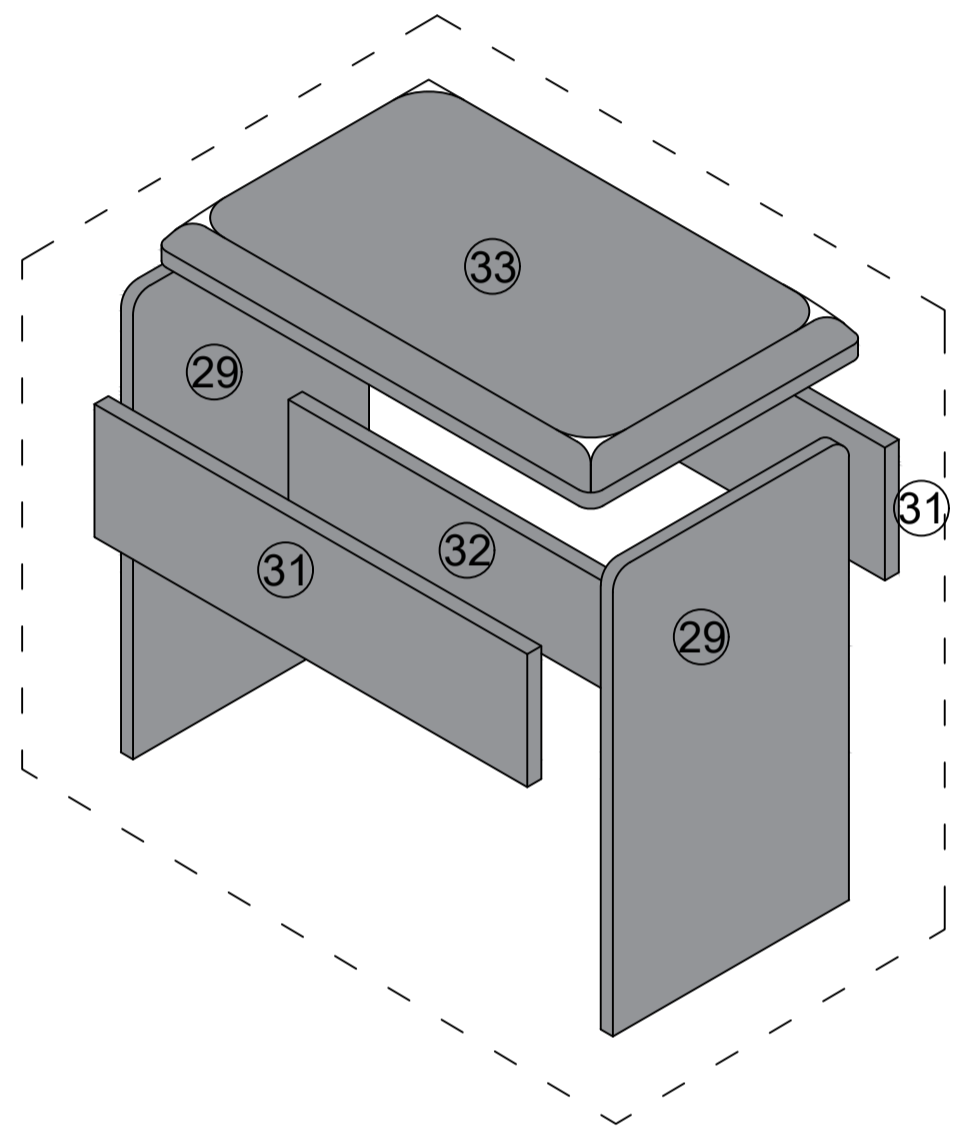
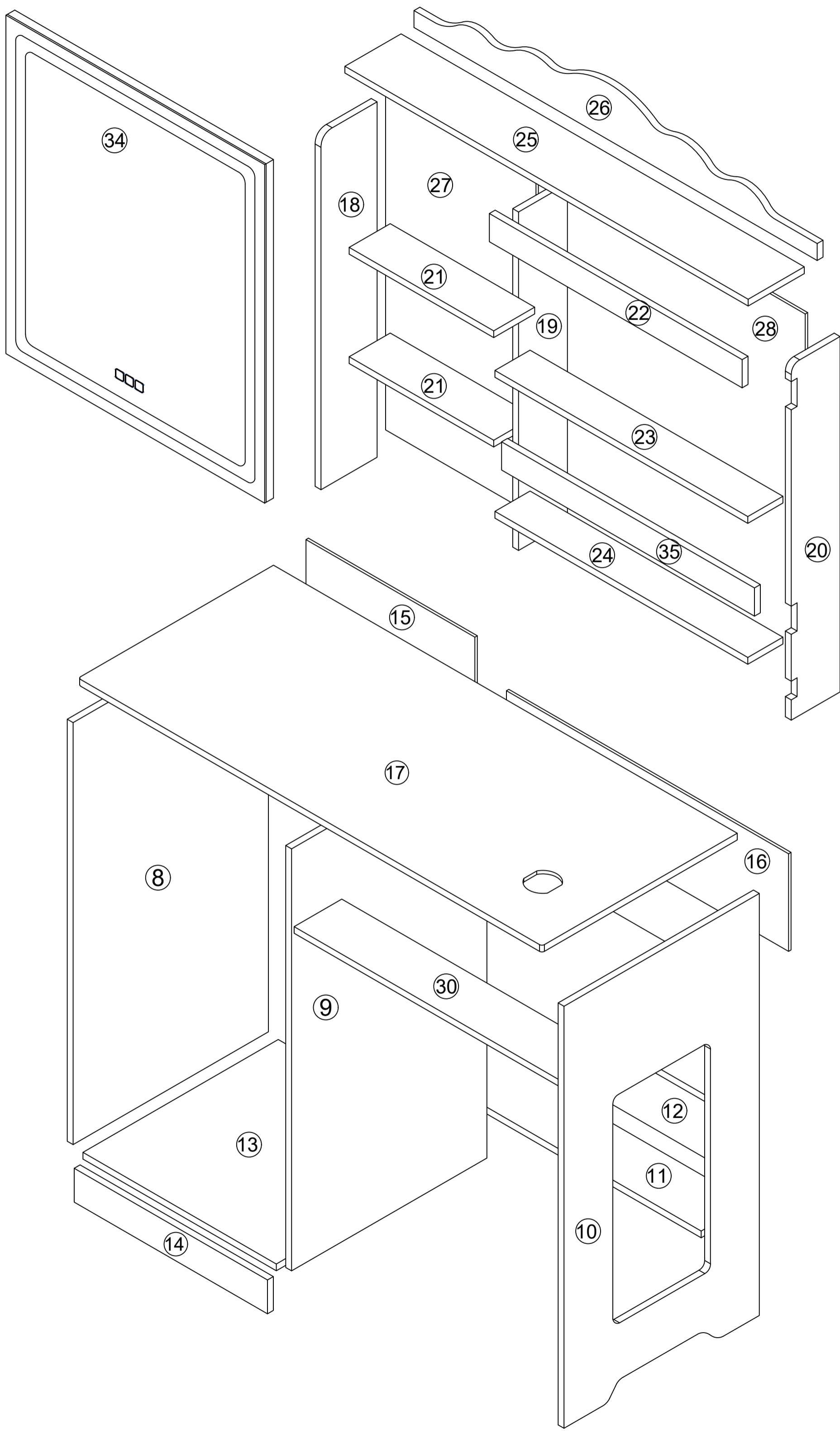
I x 1



U x 2

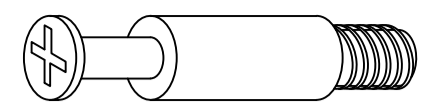


Adjust the two holes of the hook up and down as needed

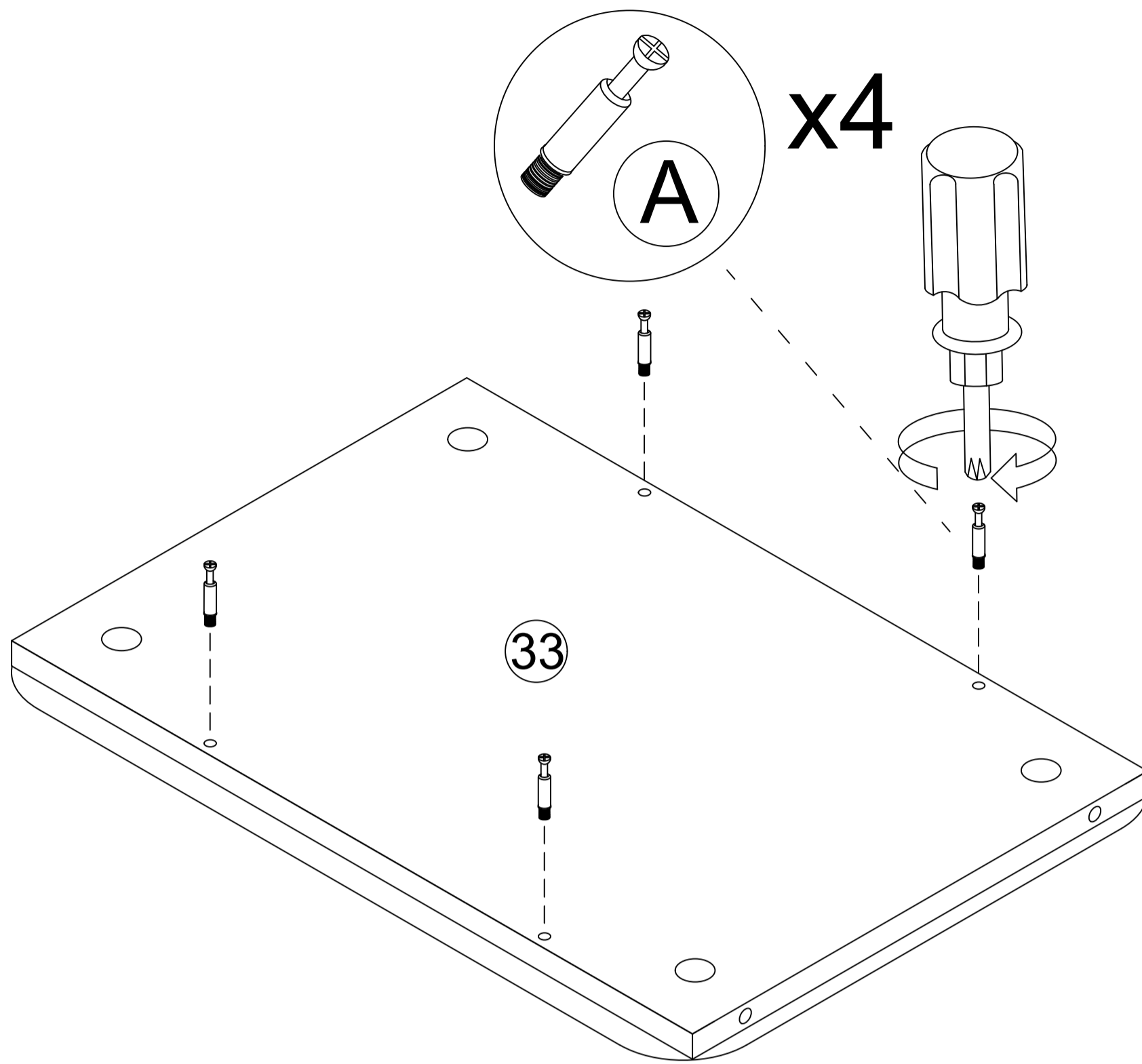


# Step 59

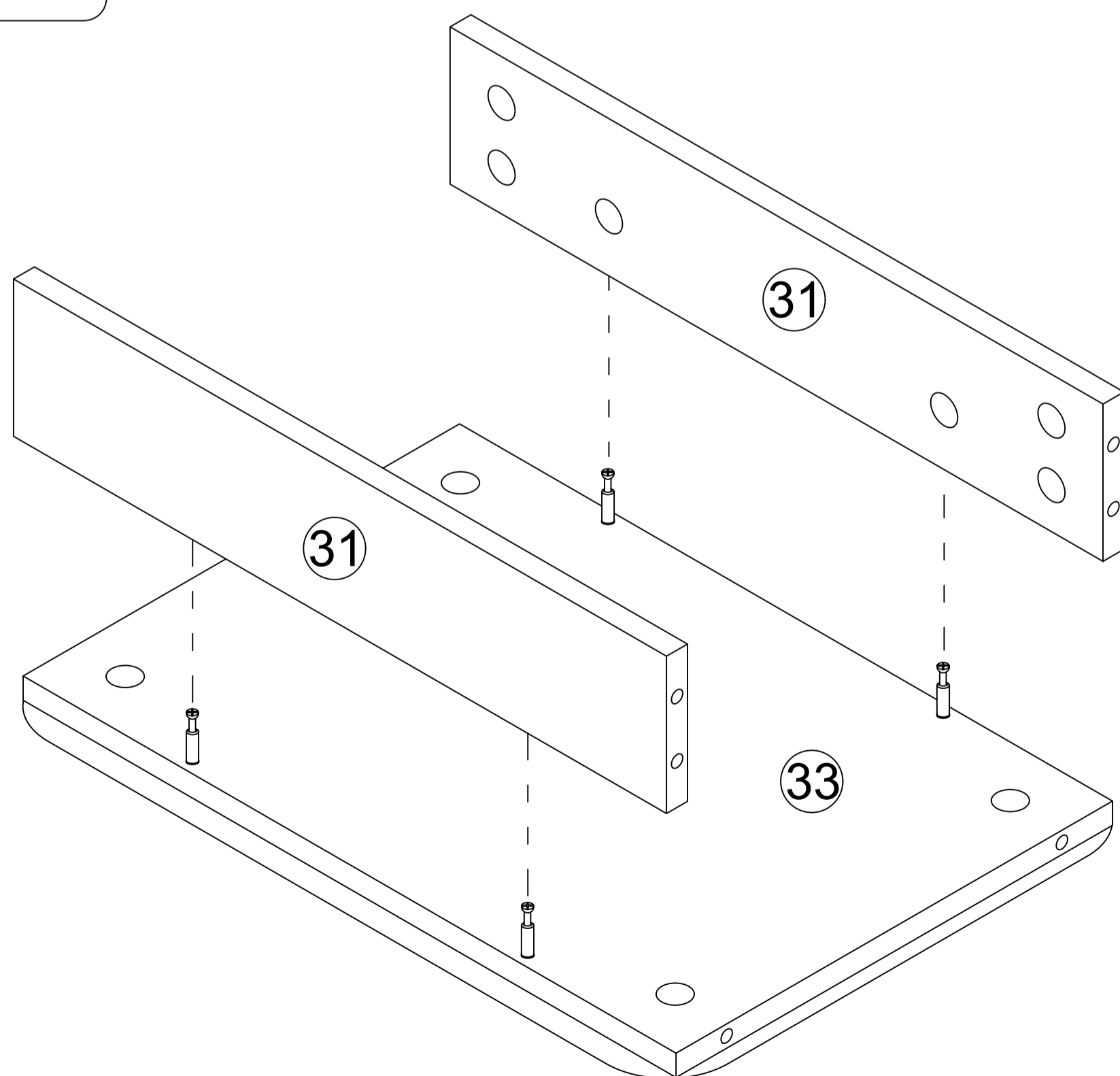
A



x 4



# Step 60

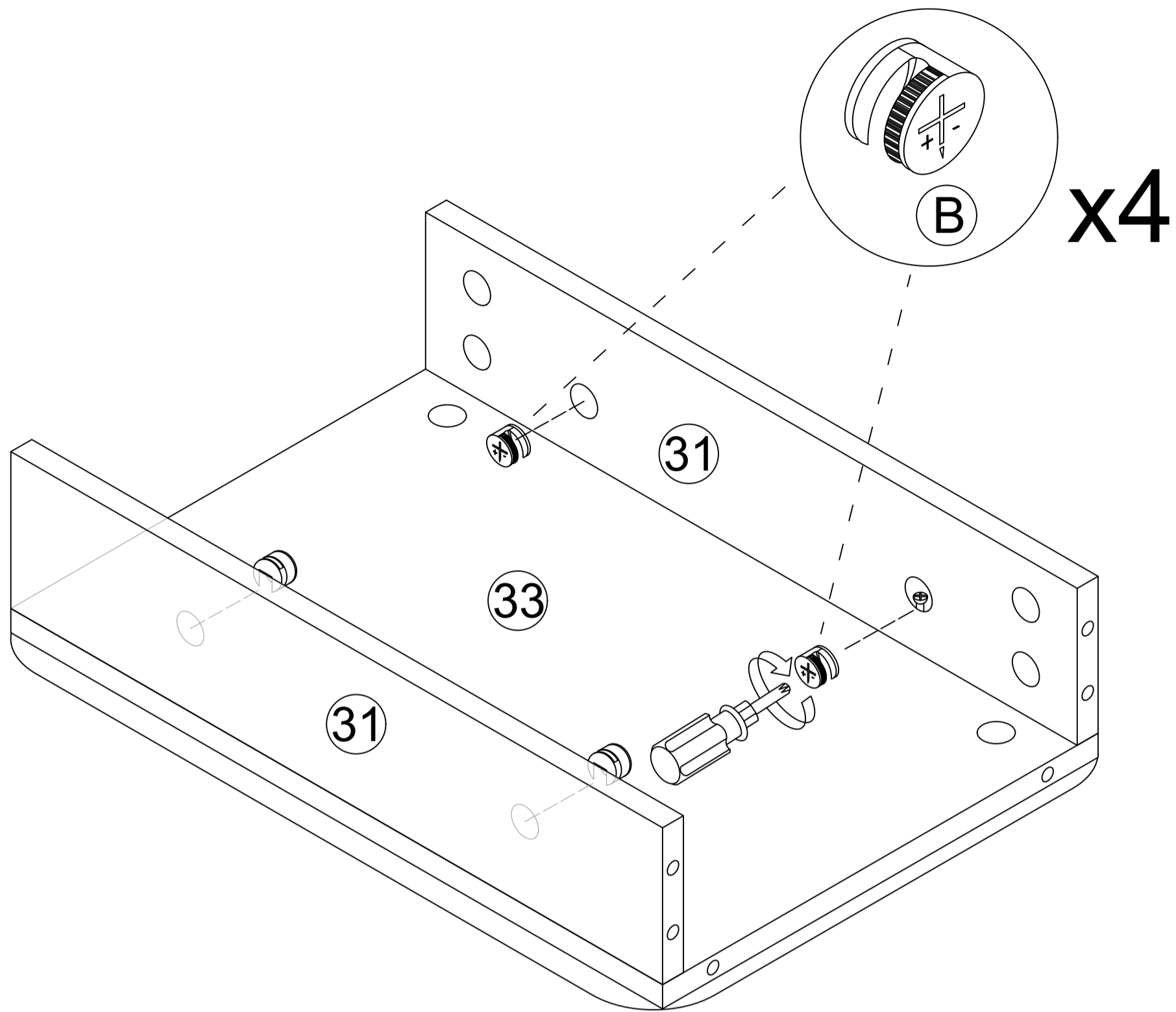


# Step 61

B



x 4



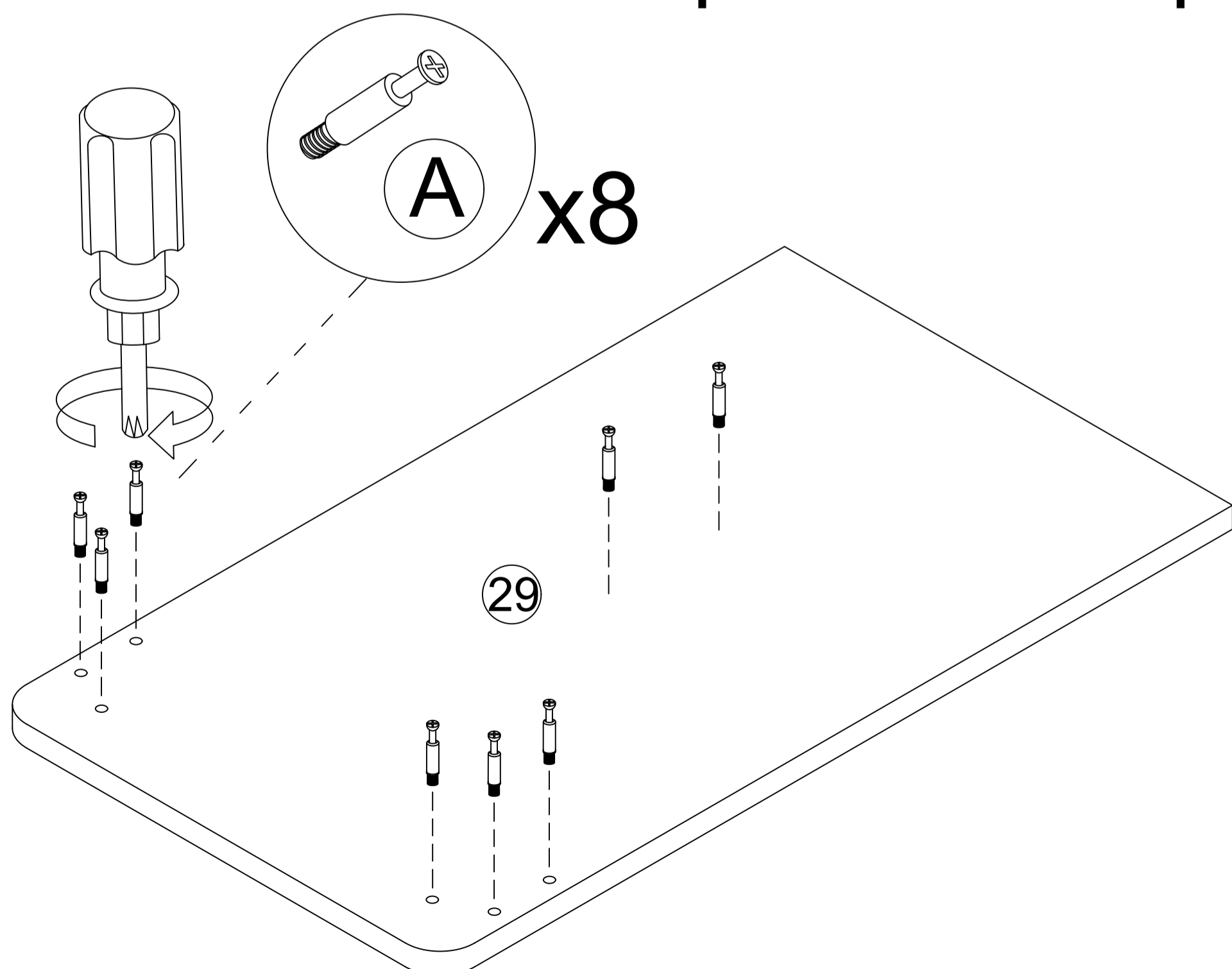
# Step 62

A



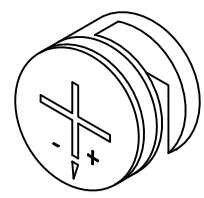
x 16

Repeat this step once

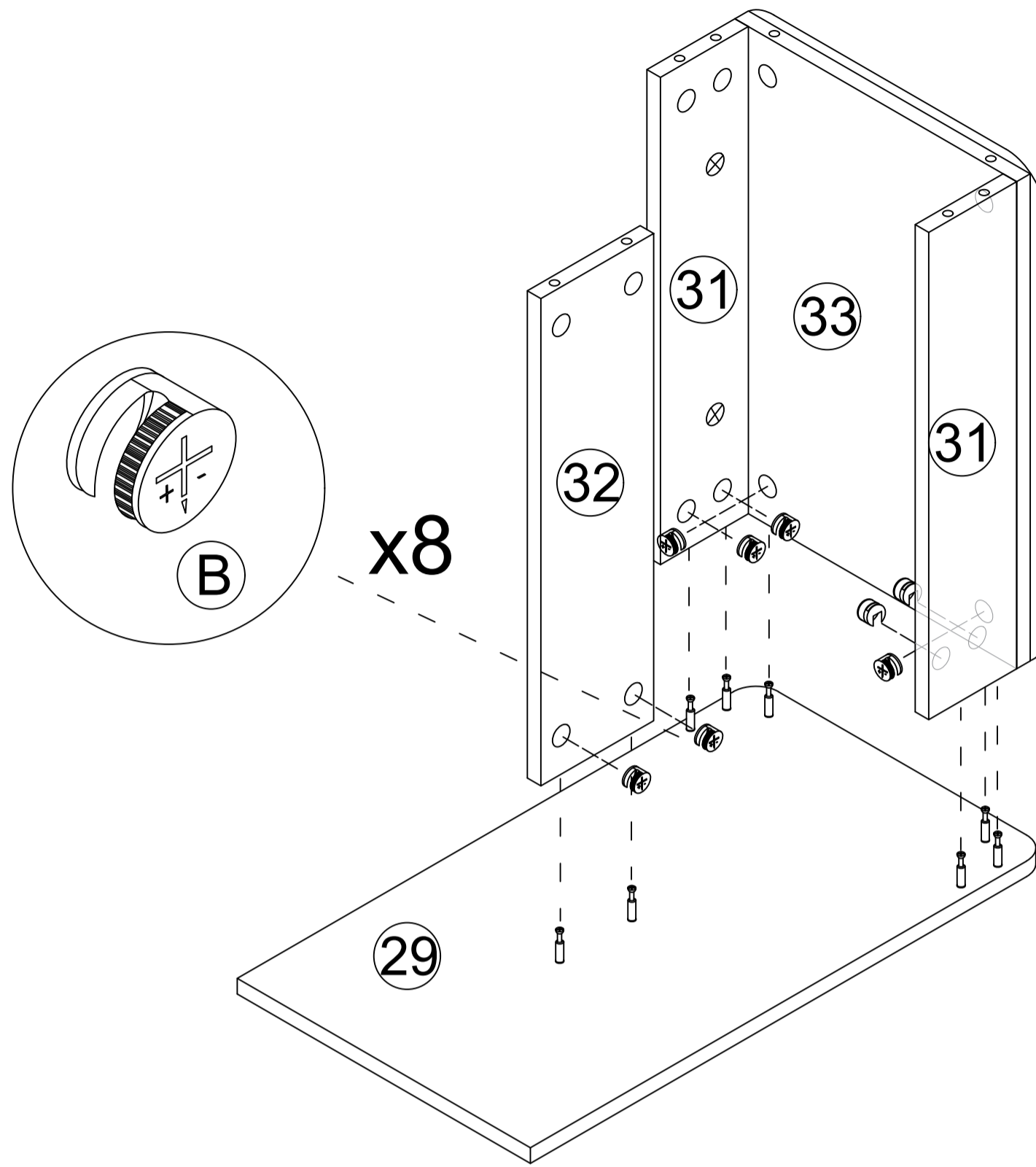


# Step 63

B

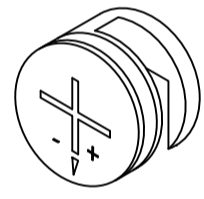


x 8

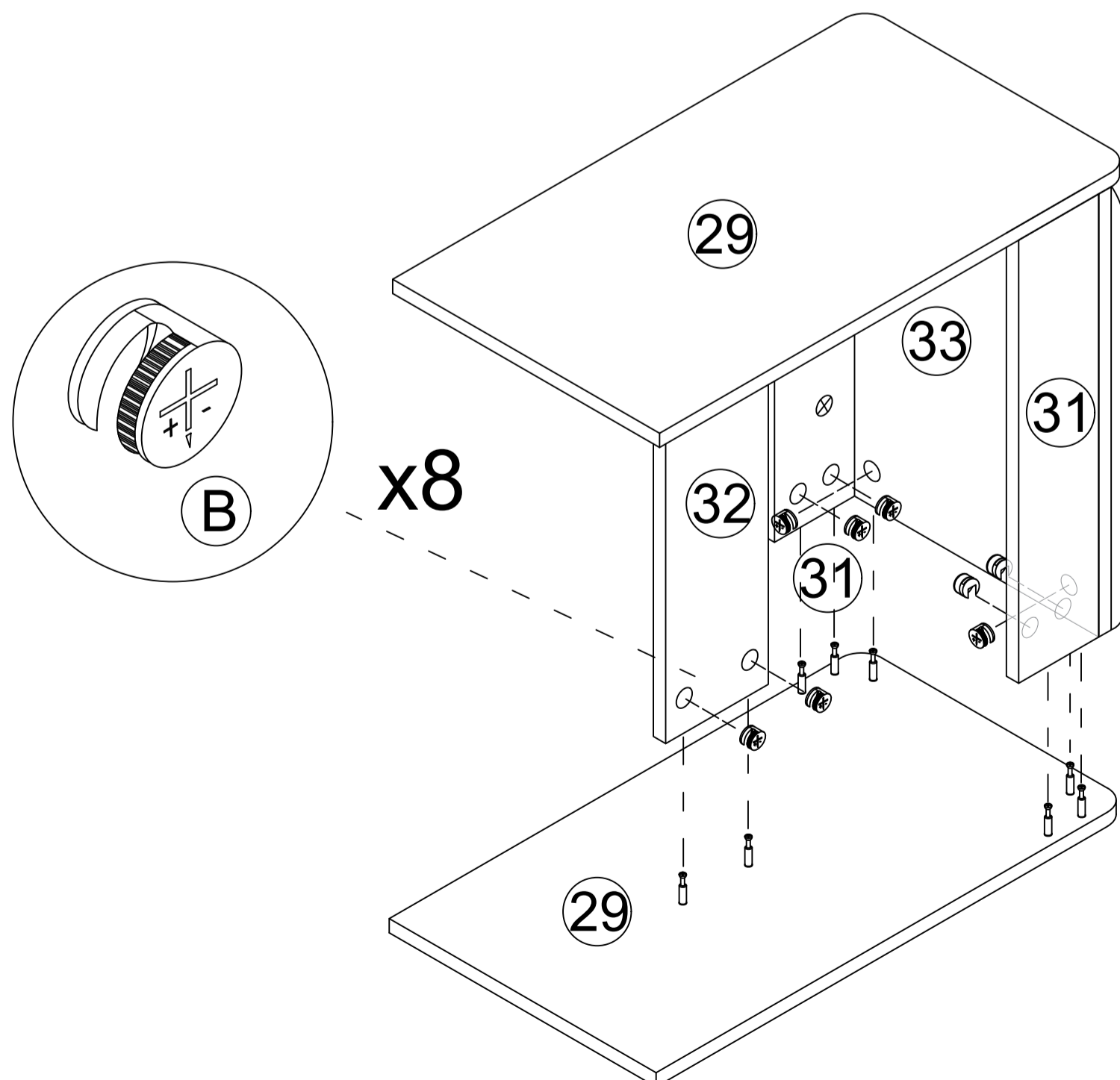


# Step 64

B

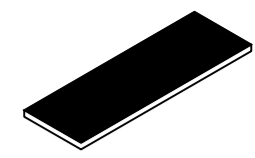


x 8

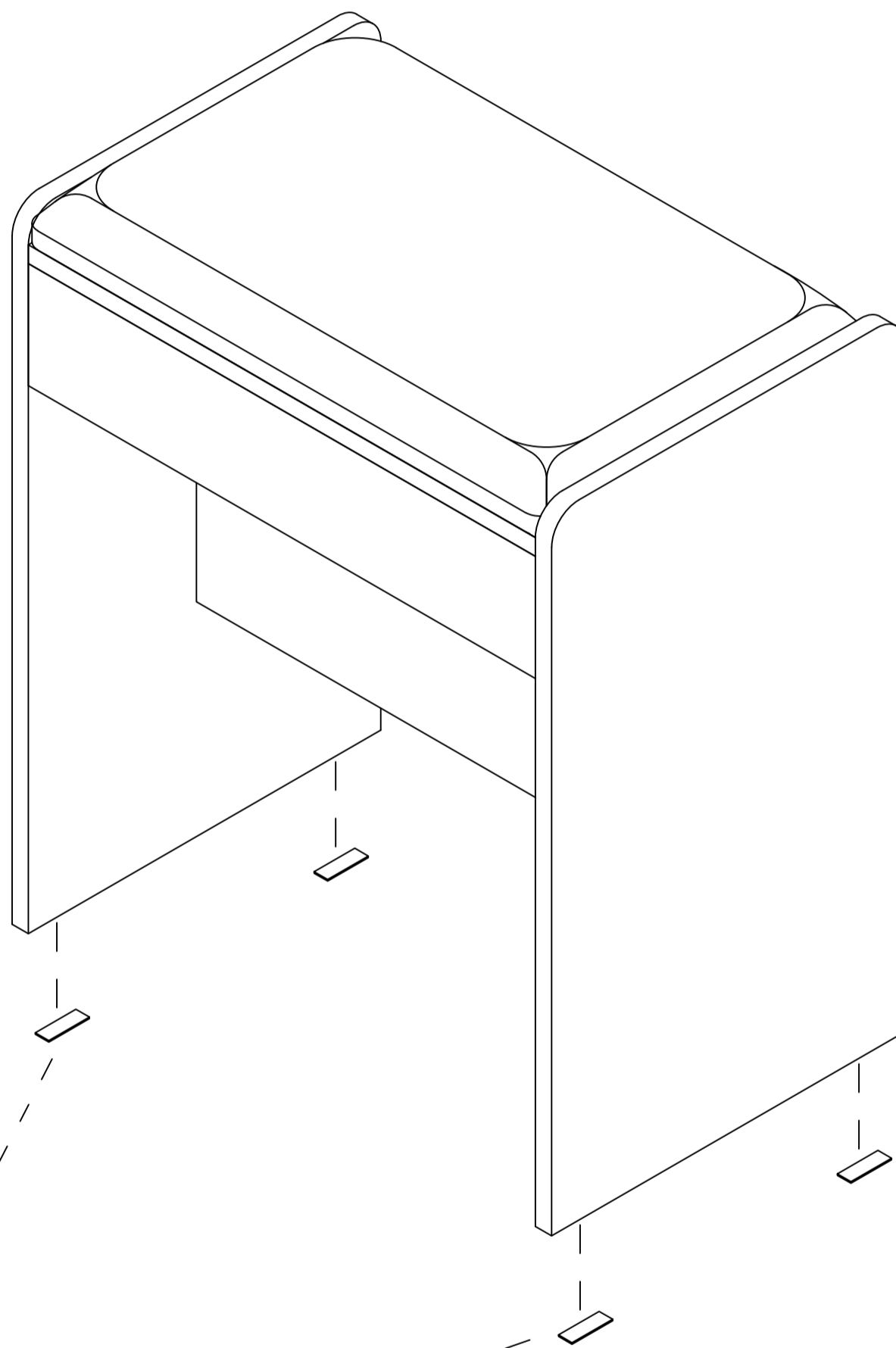


# Step 65

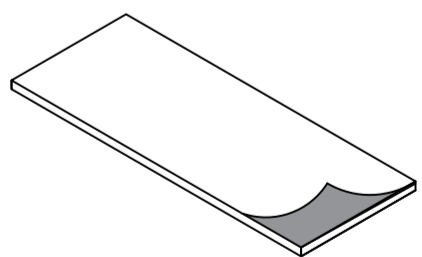
Q



x 4



Q



x4

Tear off release paper and stick the black foot pad on the board

## User's Guide

Thank you for purchasing this product.

To use this product, please plug it into a 12V DC power supply.

Please use if the product works normally after connecting to power.

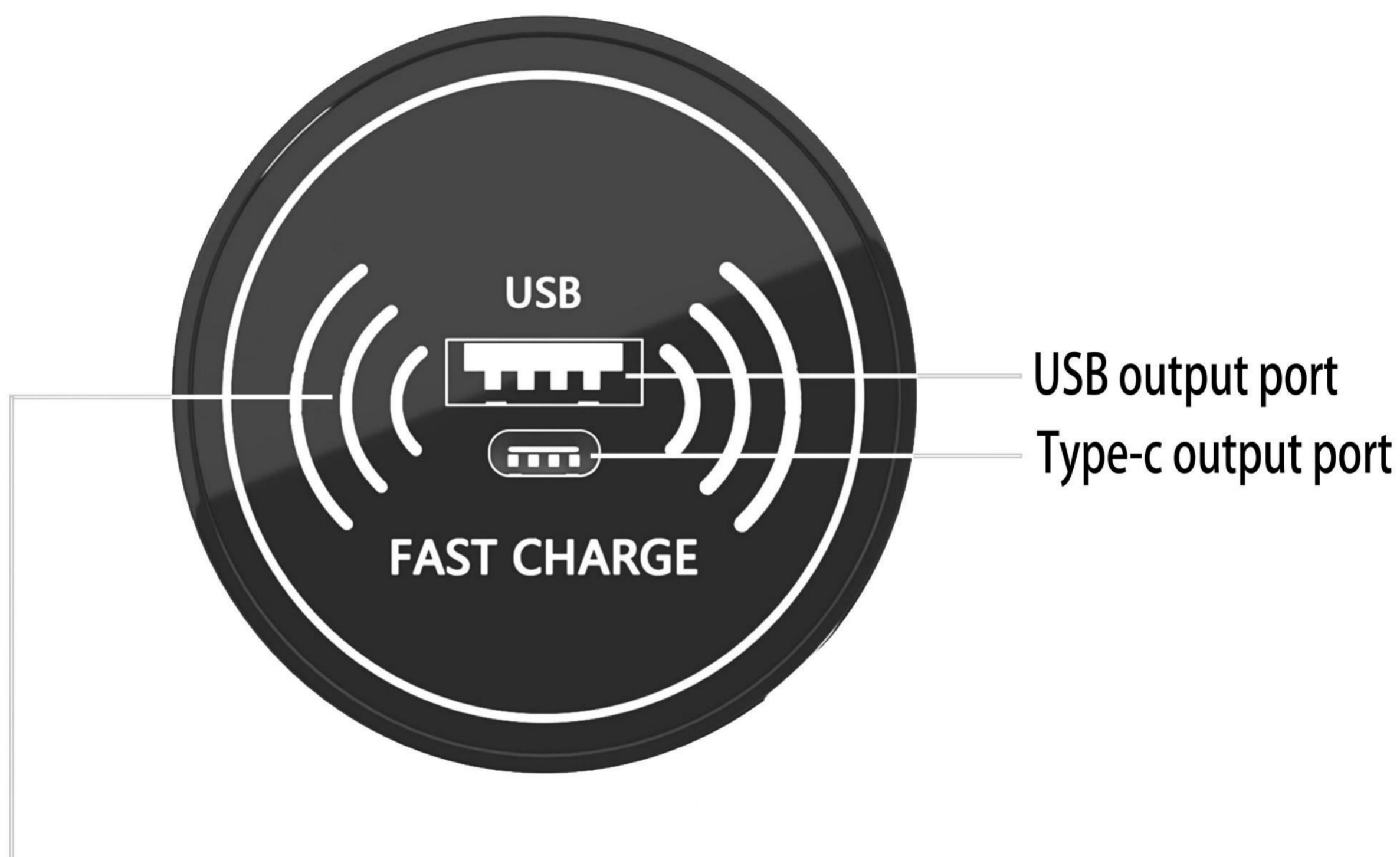
## Introduction

The box has 1 USB port and 1 Type-C port and wireless charging capability



## ATTENTION PLEASE

1. If there is no touch response suddenly, Re-plug the power to reset the touch static electricity.
2. If bubbles appear on the panel, remove the protective film.
3. If you have any questions when installing, please feel free to contact us. Thank you.



This range is a wireless charging area,  
and only mobile phones with wireless charging function can be charged.

### Consumer Reminder: Important Notice for Wireless Charging Use

#### 1, Phone-Only Wireless Charging:

This device supports wireless charging for mobile phones only.

Attempting to charge other electronic devices may result in danger.

#### 2, Metal Warning:

Ensure that no metal objects are placed between your phone  
and the wireless charger (this includes magnetic or metal phone cases).

If there are metal objects can interfere with charging or cause hazardous conditions.

# Touch button description



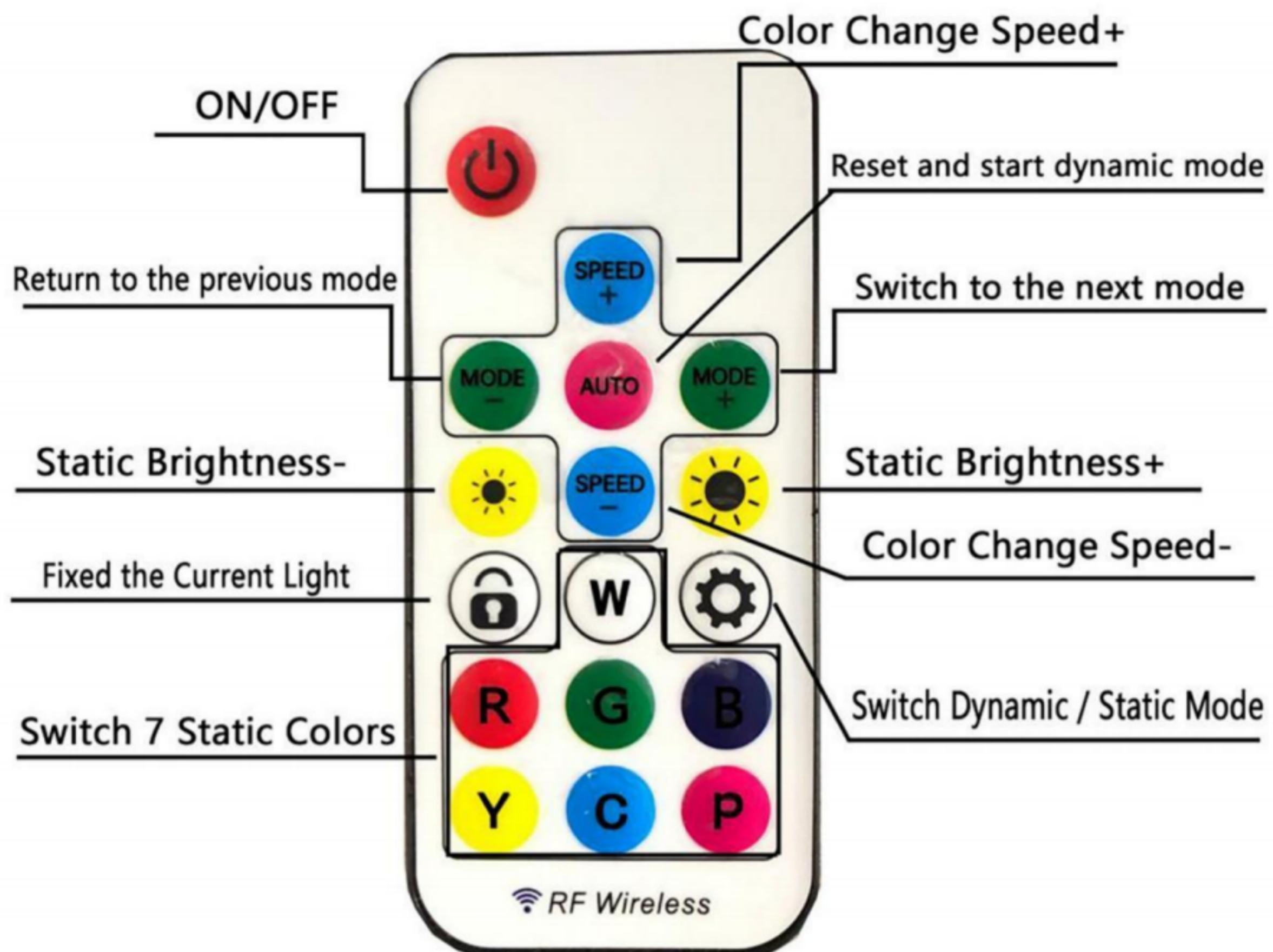
1. ON/OFF

2. Static Light Mode

3. Dynamic Mode

(Long press to adjust brightness)

(Long press to adjust speed)



## LED Lights Controller-use instructions

Remote Battery: CR2025 3V

How to use the controller?

1. After inserting the DC power adapter, you can use the remote control to control the lamp. Press the "on/Off" button to turn on the light and enter the static light mode.

Long press the "on/Off" button to turn off the light.

2. There are 7 RGB Dynamic Modes. You can press the "MODE+/-" key to choose dynamic colors that you preferred and press the "Speed+/-" key to adjust color change speed.

3. There are 7 static colors: White / Red / Green/ Blue / yellow / ice blue/ pink light. You can press the "Brightness +/-" key to adjust the brightness.

4. You can press the "lock" key to fix the color you like. When you press the "Switch Dynamic /Static Mode" key, the light will change between dynamic mode and static mode.