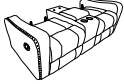










ASSEMBLY INSTRUCTION

Power Double Reclining Love Seat with Center Console

| NO. | PARTS LIST | QTY | DESCRIPTION |
|-----|---|-----|---------------|
| A |  | 1 | Seat |
| B |  | 1 | LSF Back Rest |
| C |  | 1 | RSF Back Rest |
| D |  | 1 | LSF Ear |
| E |  | 1 | RSF Ear |

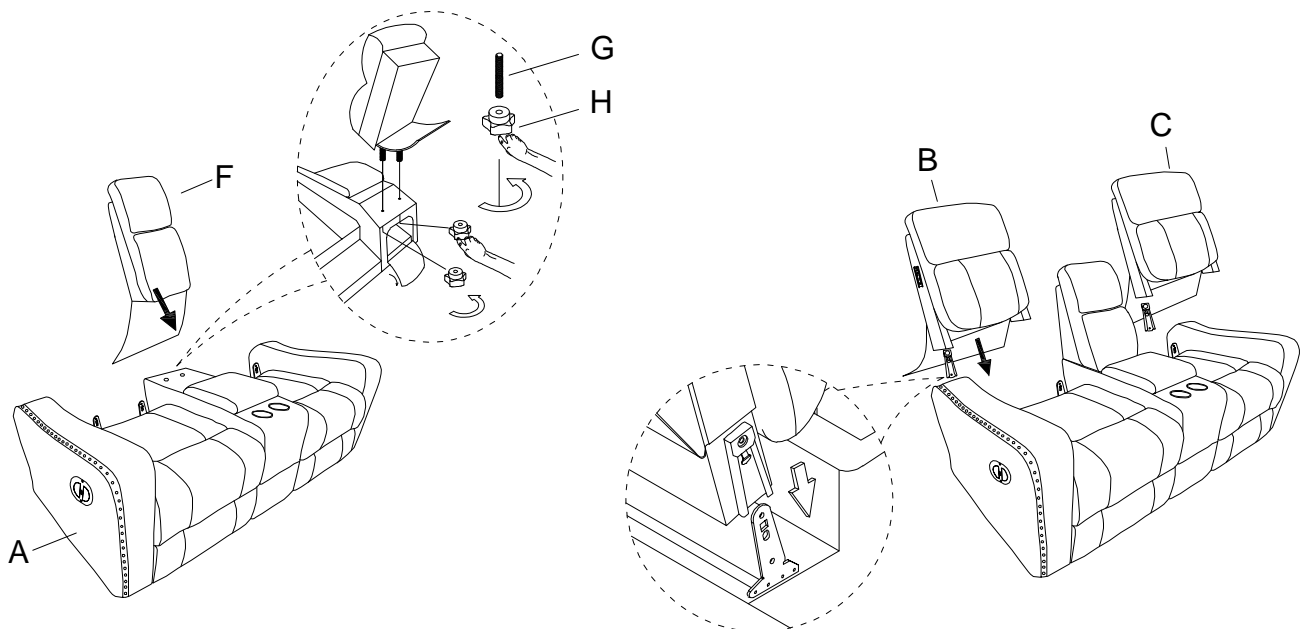
| NO. | PARTS LIST | QTY | DESCRIPTION |
|-----|--|-----|-------------------|
| F |  | 1 | Console back rest |
| G |  | 2 | Bolt |
| H |  | 2 | Star Knob |
| I |  | 1 | Plug With Wire |

STEP 1 :

The console back rest is stored in the console bottom, please take out for assembly.

STEP 2 :

Align the femal metal bracket at the back onto the male metal bracket at the seat, insert back rest to the seat then push to the end and make sure it is fixed in position securely.

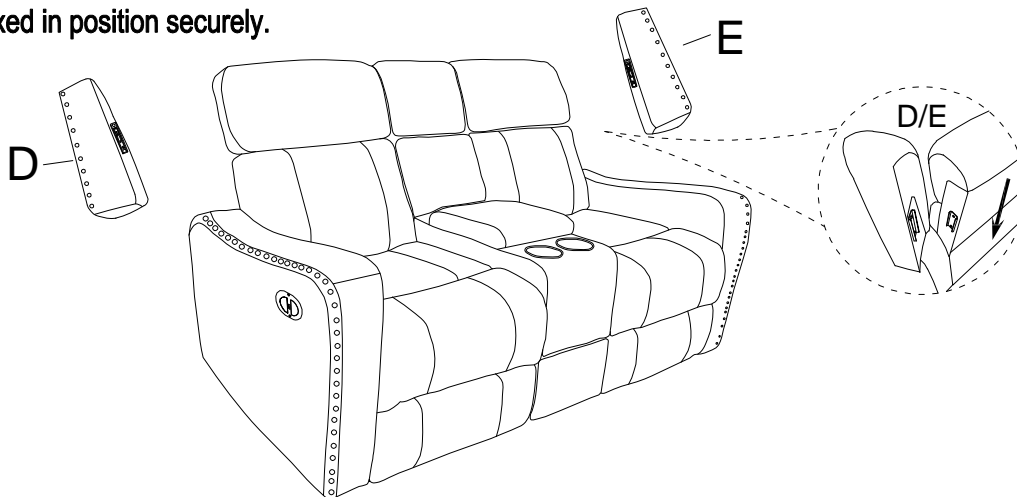


ASSEMBLY INSTRUCTION

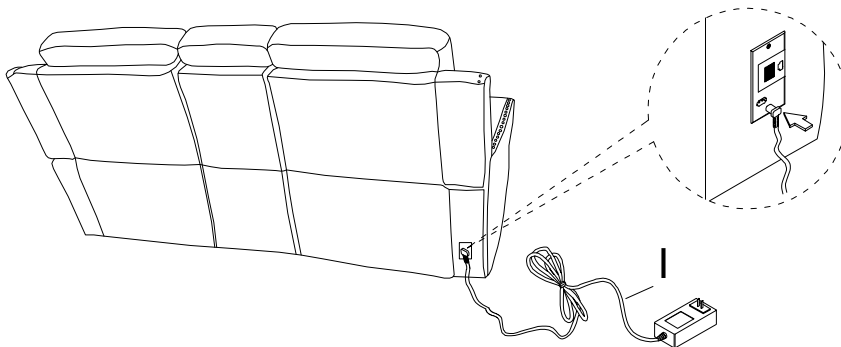
Power Double Reclining Love Seat with Center Console

STEP 3 :

Align the metal bracket at the ear onto the male metal bracket at the back rest, push the ear down and make sure it is fixed in position securely.

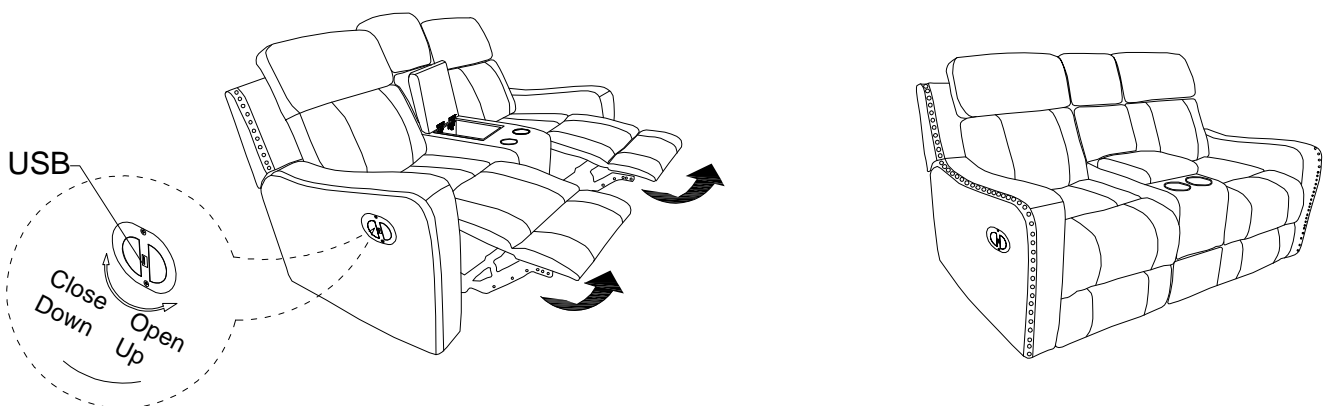


STEP 4 :



STEP 5 :

STEP 6 Completed :



CARE INSTRUCTION POLYESTER FURNITURE

In order to maintain the original appearance of your polyester furniture, please follow below simple care procedures.
° Avoid exposing polyester furniture directly to sunlight or heating and air conditioning outlets. Exposure to sunlight or heating and air conditioning outlets will fade/damage polyester furniture.
° Wipe gently with a damp soft cloth to remove dust, dirt and any grime build up.

ASSEMBLY INSTRUCTION

Power Double Reclining Love Seat with Center Console

CARE INSTRUCTION FOR POLYESTER:

- In order to maintain the original appearance of your polyester furniture, please follow below simple care procedure.
- Avoid exposing furniture directly to sunlight or heating and air conditioning outlets. exposure to sunlight or heating and air conditioning outlets will fade/damage polyester.
- Wipe gently with a damp soft cloth to remove dust, dirt and any grime build up.



WARNING

- Disconnect the electrical plug from the wall outlet before cleaning, moving, serving or when not in use for an extended period of time.
- Plug directly into a wall outlet. Do not use an extension cord or adaptor.
- Check the condition of the power transformers, electrical cords, plugs and connectors monthly. Keeps the power adaptor and electrical cords away from heat sources. Never operate the unit with a damaged power adaptor, electrical cord, plug or connector.
- Before moving the product, please disconnect the electrical plug from the wall outlet and secure the mechanism to prevent unexpected opening or movement. Never move the product by the mechanism, legrest, or reclining back.
- Do not attempt to disassemble or service the adaptor or motor. No serviceable part are inside.
- Do not allow electrical cord to be pinched between moving parts or between the frame and the floor. Do not place cord under carpet or in location where it could become worn.
- Unplug the power cord immediately if you detect strange odors or fumes coming from the chair.