

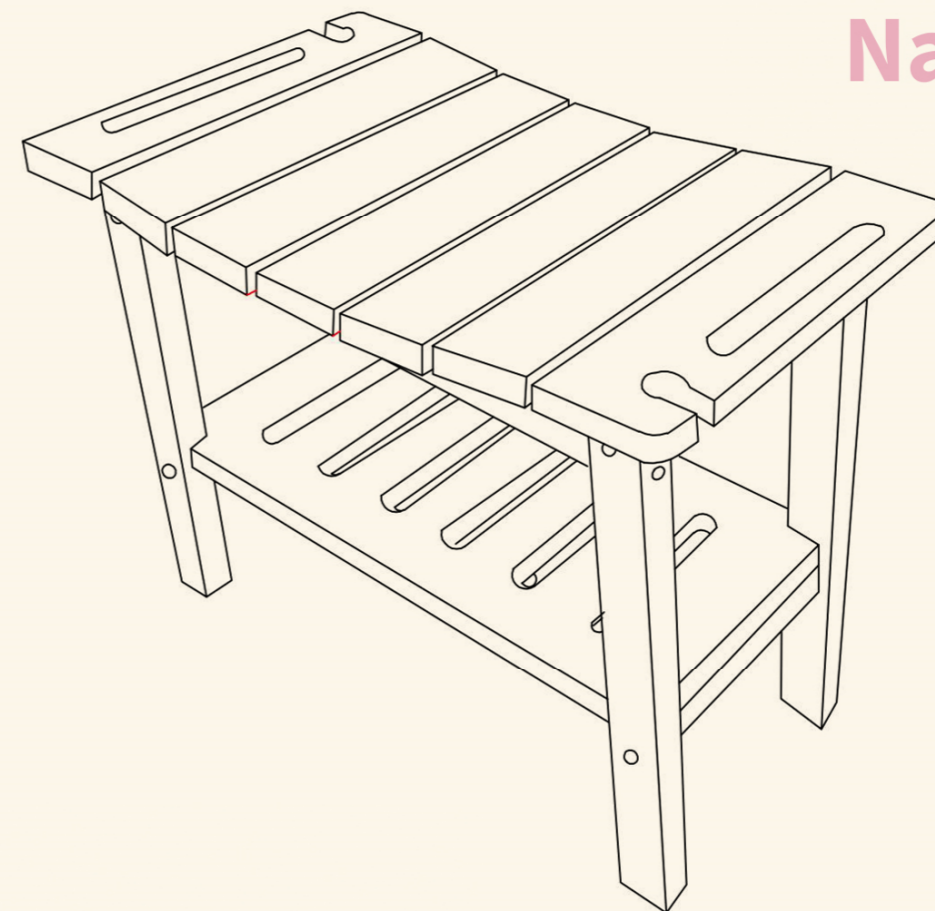
**Thank You  
For  
Choosing Us**



# Shower Seats

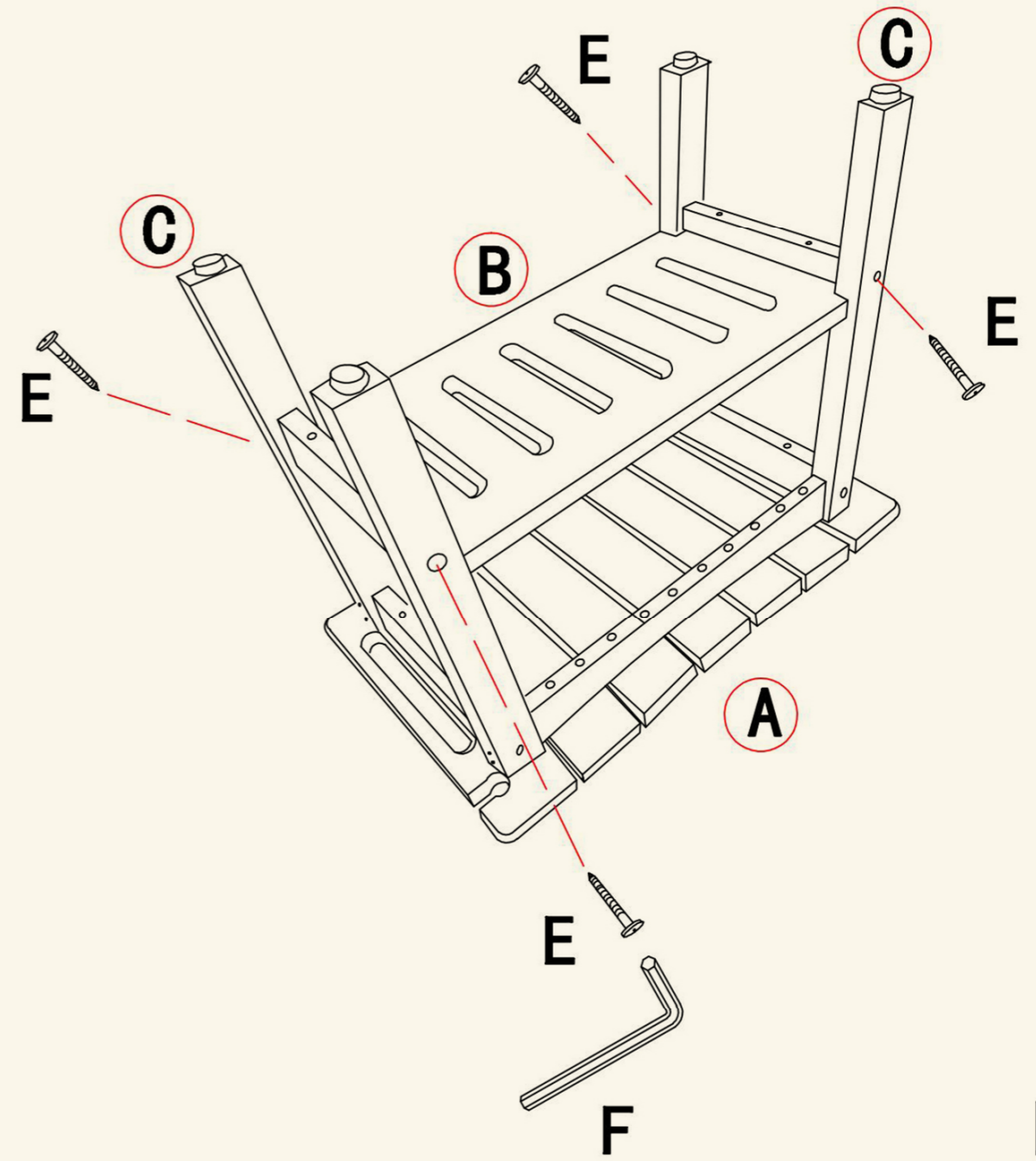
**INSTRUCTIONS**

• ◐ ● ◑ • ●  
**Naga Bahna**



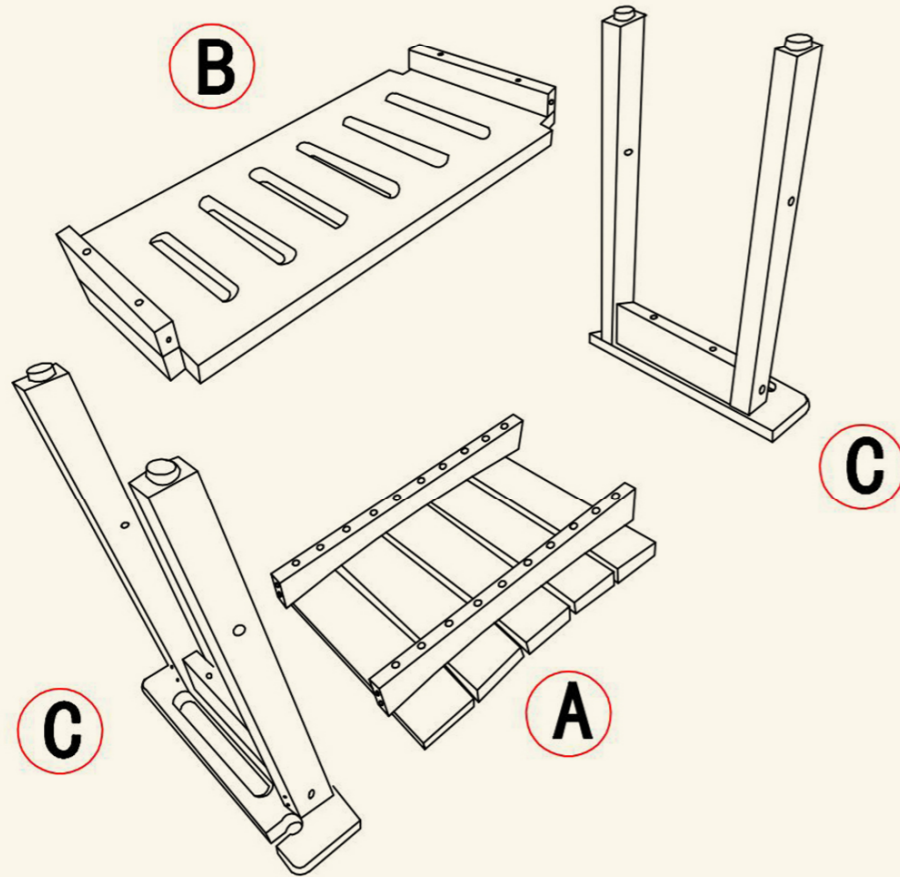
**SKU:EUAHDPE-S50**

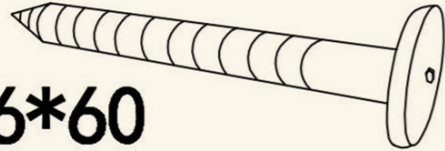
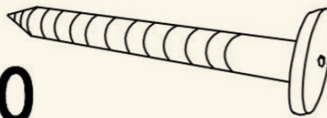
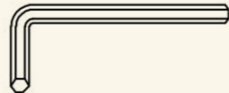
# Step 2



E=4

# Accessory



D	 m6*60	8PC
E	 m6*50	4PC
F		1PC

## NAGA BAHNA Warranty Card

Thank you for choosing NAGA BAHNA products!

We offer a warranty to ensure your product works as expected.  
Please read the details below to understand your warranty coverage.

### 1. Warranty Coverage

**Period:**

12 months from the date of purchase.

**What's Covered:**

Defects in materials or manufacturing.

**What's Not Covered:**

Damage from improper use or lack of care.

Damage caused by accidents, natural disasters, or unauthorized repairs.

Normal wear and tear or parts like batteries or filters.

### 2. How to Claim Warranty

**Contact Us:**

If your product has an issue, contact NAGA BAHNA Customer Service with your proof of purchase and the product's serial number.

**Repair or Replacement:**

We'll inspect the product and, if covered, repair or replace it for free.

**Repair Time:**

Typically 7-14 business days.

### 3. Customer Service

**Phone:** +17197595710

**Email:** [customerservice@nagabahna.com.cn](mailto:customerservice@nagabahna.com.cn)

**Website:** [www.nagabahna.com.cn](http://www.nagabahna.com.cn)

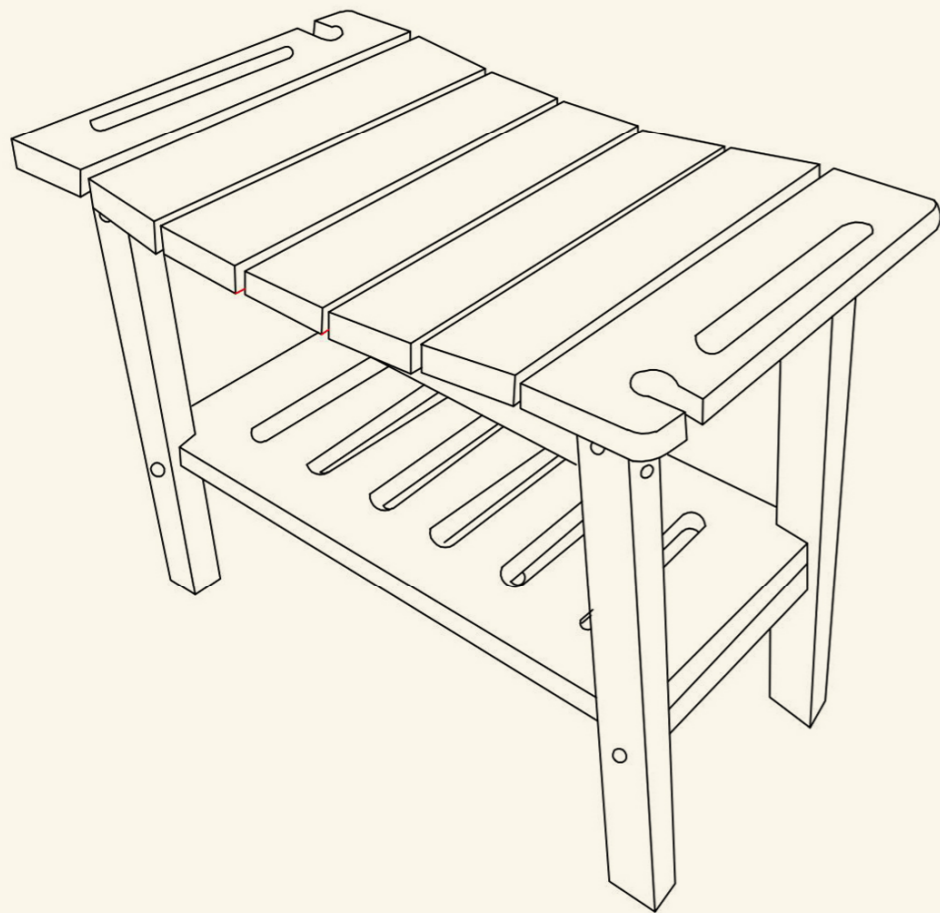
### 4. Important Notes

Keep this card safe as it proves your warranty.

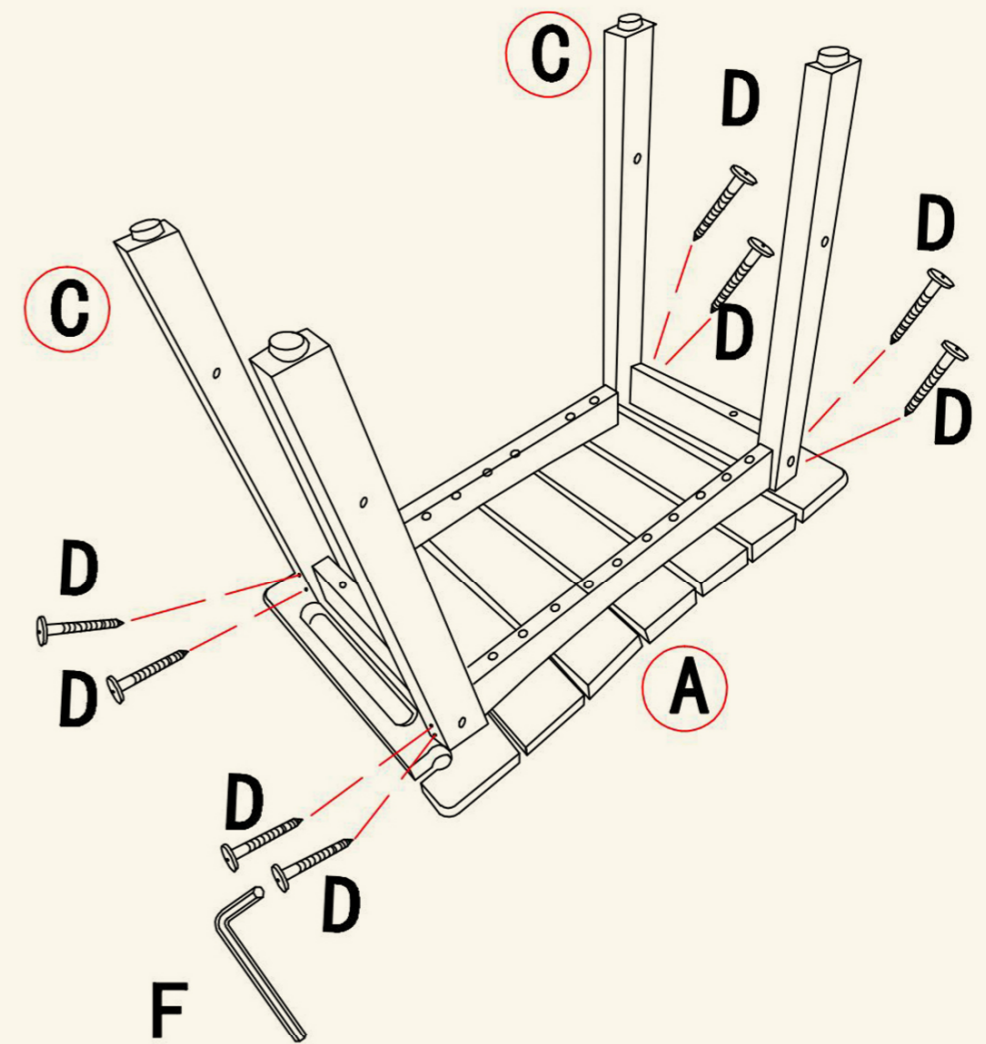
Warranty only applies to products bought from NAGA BAHNA or authorized sellers.

**NAGA BAHNA**  
**Committed to quality and your satisfaction.**

# PRODUCT MANUAL



## Step1



D=8