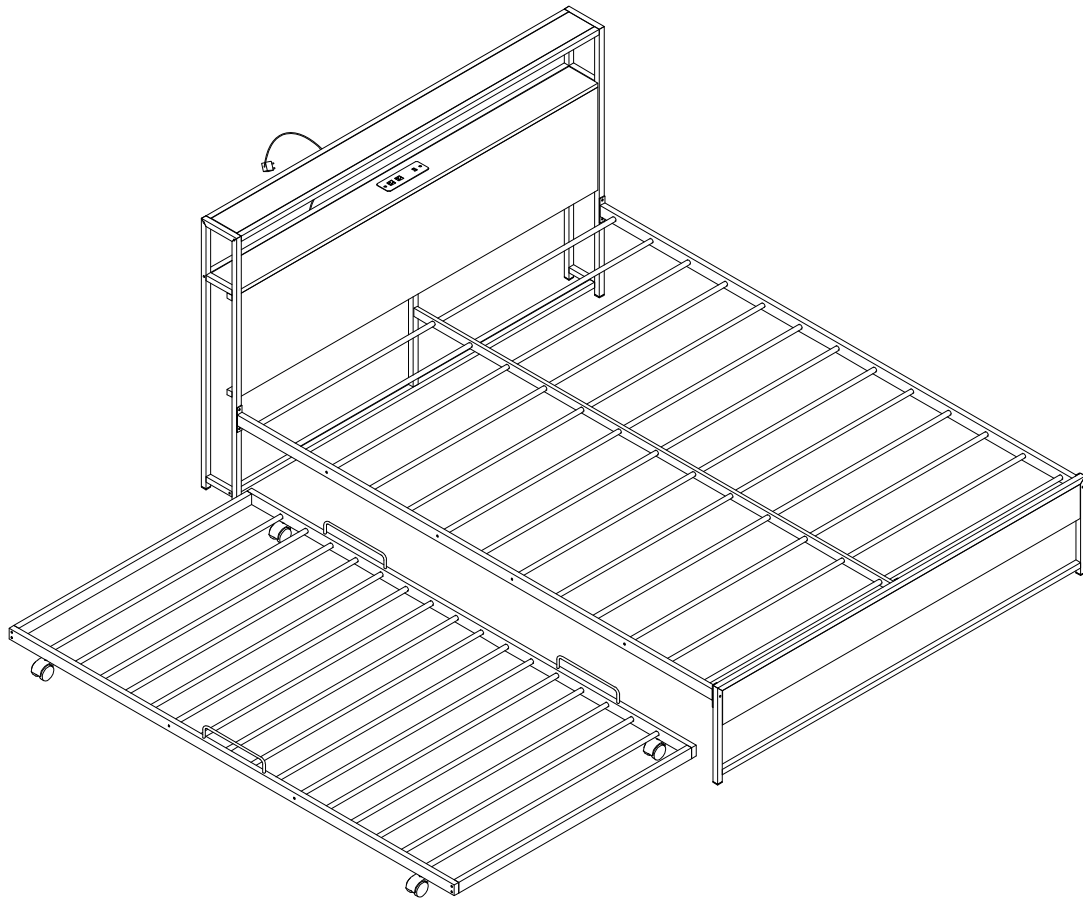
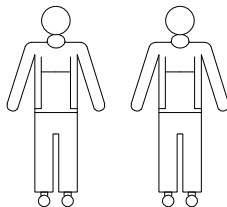
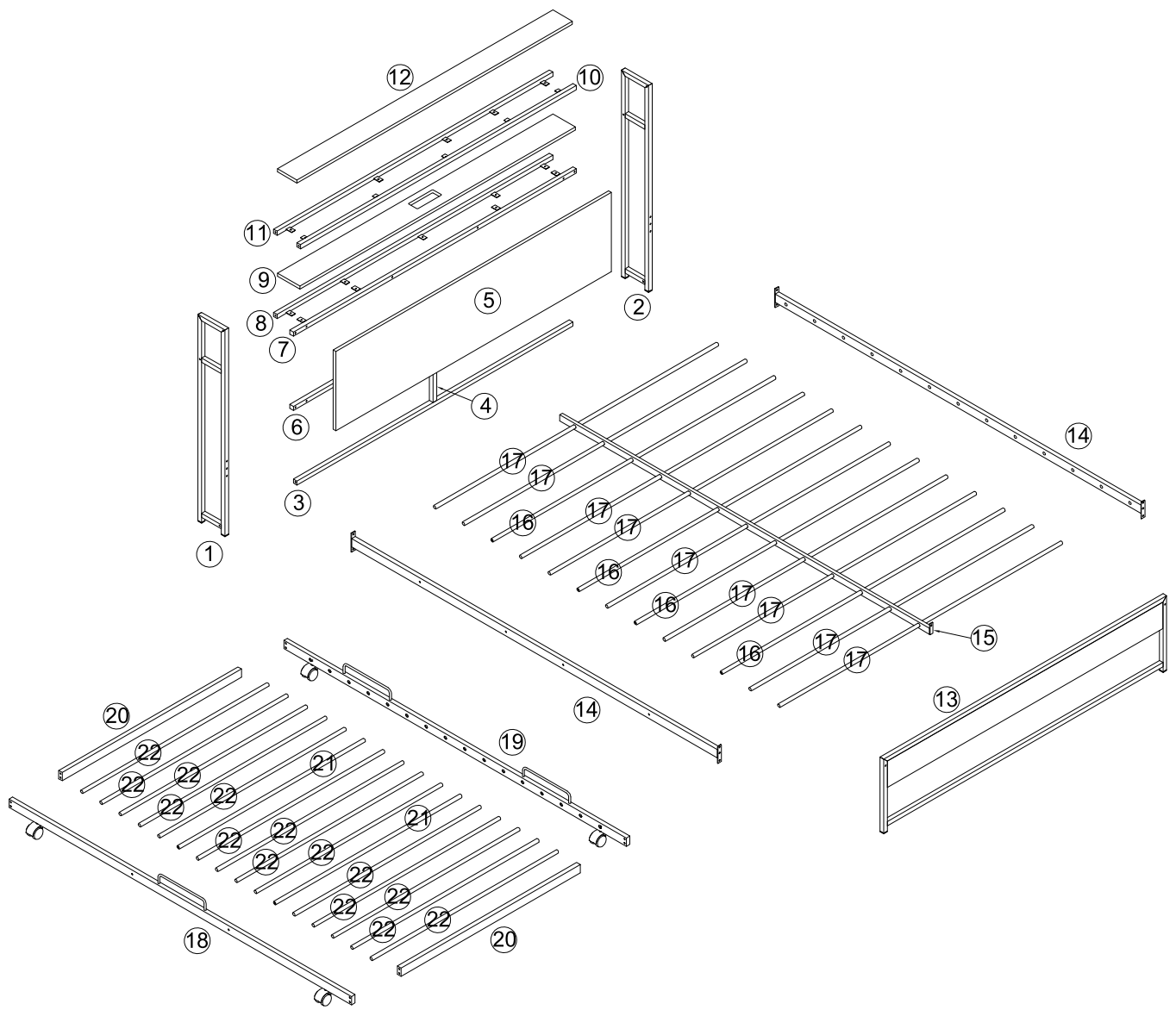


ASSEMBLY INSTRUCTION

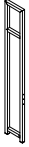

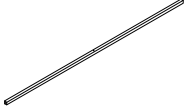
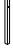
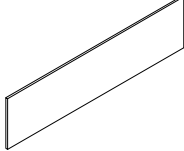
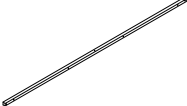
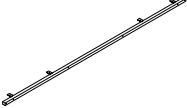
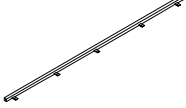
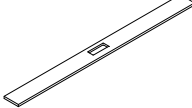
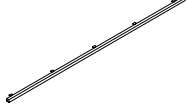
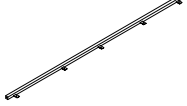
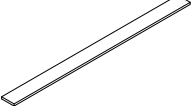
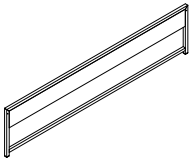
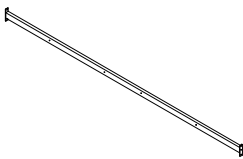

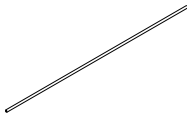
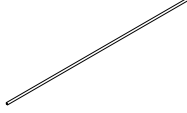
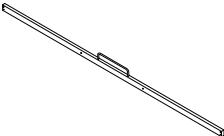
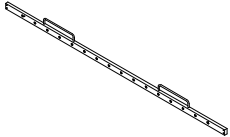





Minimum no. 2 of people
recommended to assemble
this product: Approx.
assembly time: 60 mins




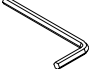
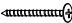



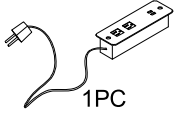
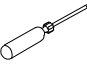
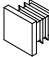







PART LIST

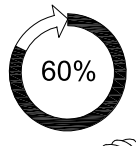
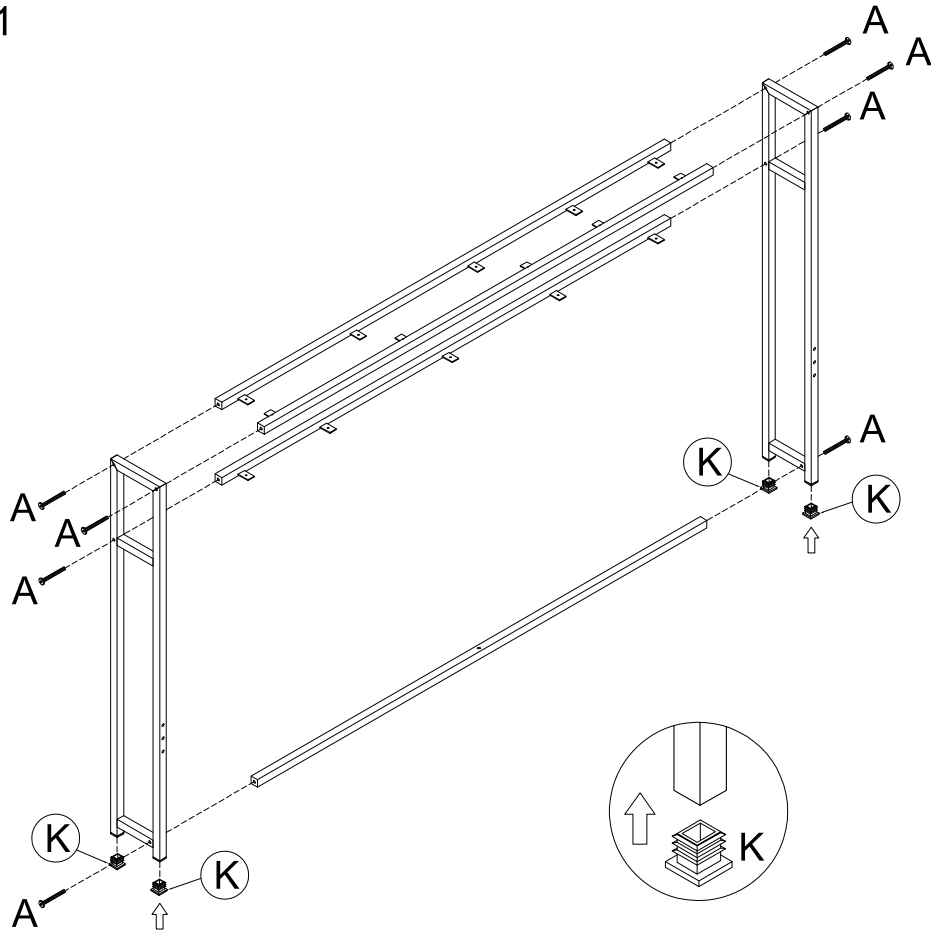
1		1PC	2		1PC	3		1PC
4		1PC	5		1PC	6		1PC
7		1PC	8		1PC	9		1PC
10		1PC	11		1PC	12		1PC
13		1PC	14		2PCS	15		1PC
16		4PCS	17		9PCS	18		1PC
19		1PC	20		2PCS	21		2PCS
22		14PCS						

HARDWARE LIST

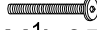
A		27PCS M $\frac{1}{4}$ "x35	B		8PCS M $\frac{1}{4}$ "x30	C		21PCS M $\frac{1}{4}$ "x15	D		1PC M4X23X57
E		19PCS M4x15	F		2PCS M3.5x15	G		2PCS M $\frac{5}{16}$ "xØ50x70H	H		2PCS M $\frac{5}{16}$ "xØ50x70H
i		1PC 174x55x45H	J		Not included 1PC	K		6PCS #20x20x13	L		1PC 13mm

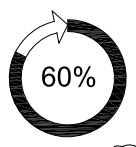
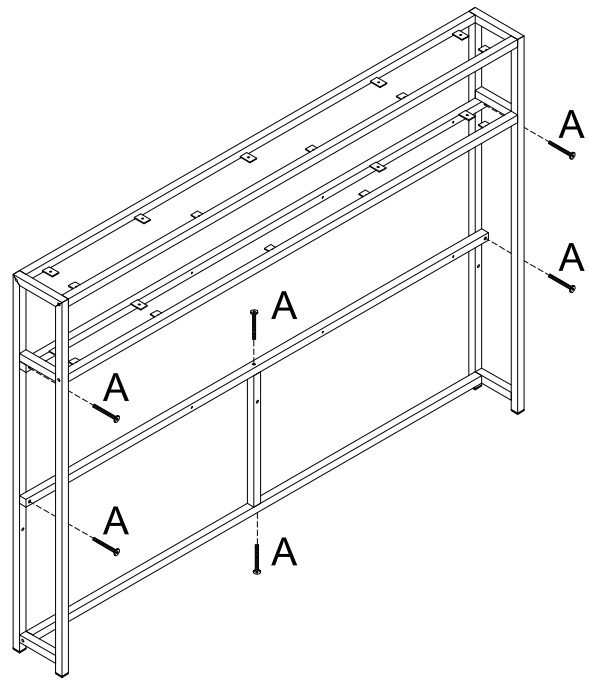
STEP 1

A	K
 M $\frac{1}{4}$ "x35	 #20x20x13
8 PCS	4 PCS

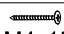


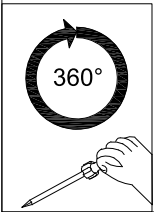
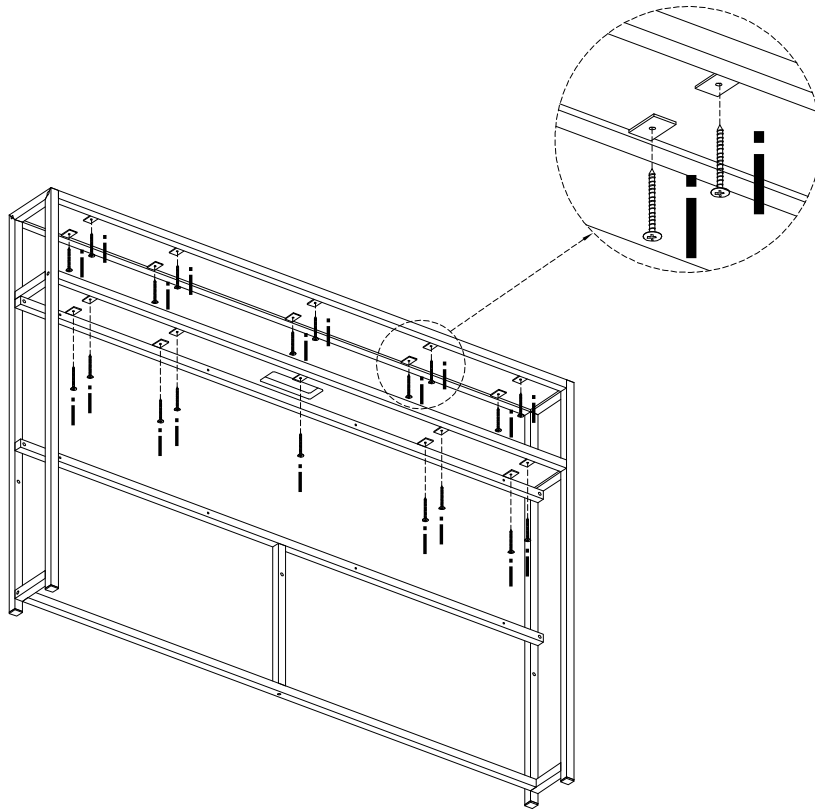
STEP 2

A
 M $\frac{1}{4}$ "x35
6 PCS

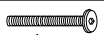


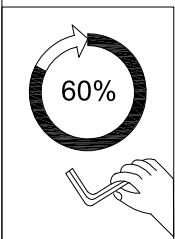
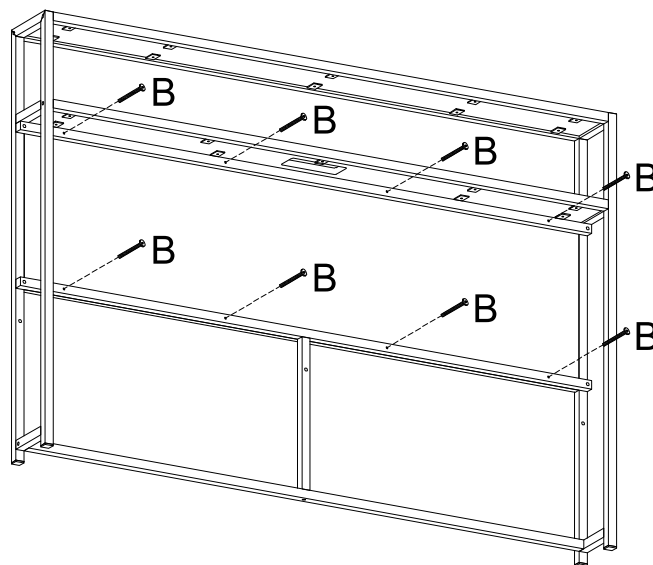
STEP 3

E
 M4x15
19 PCS




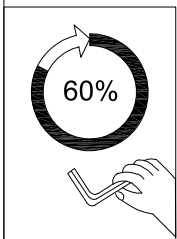
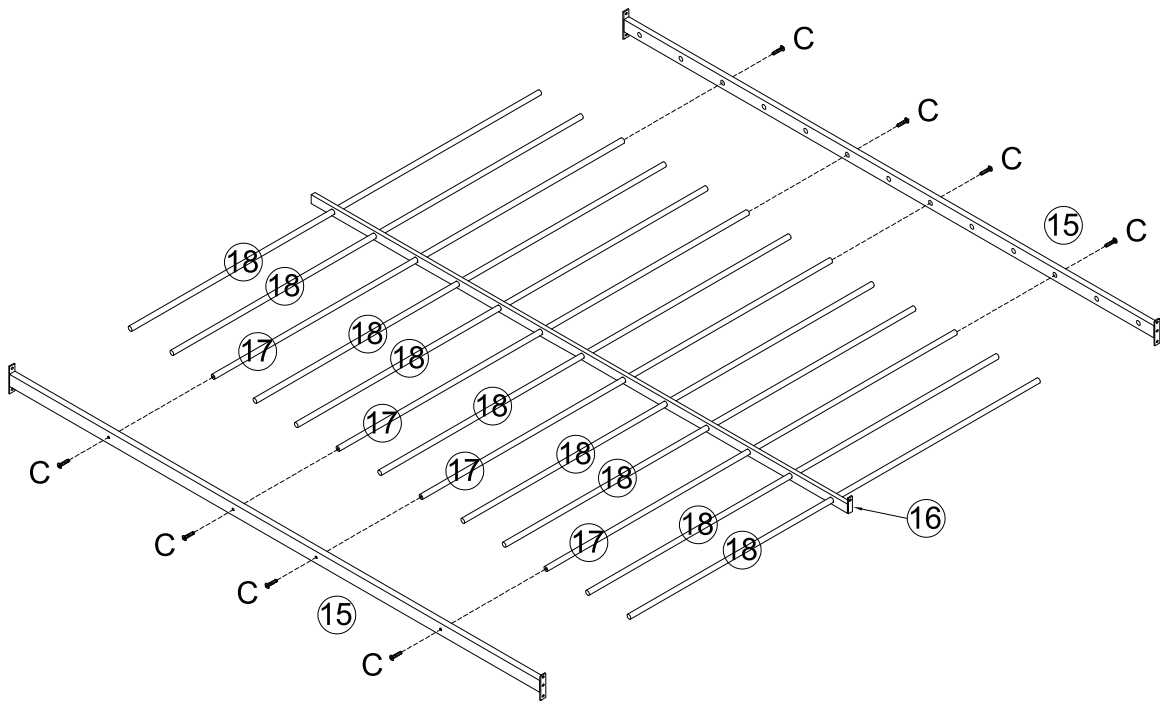
STEP 4

B
 M $\frac{1}{4}$ "x30
8 PCS

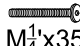
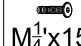
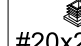


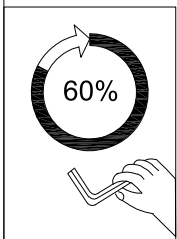
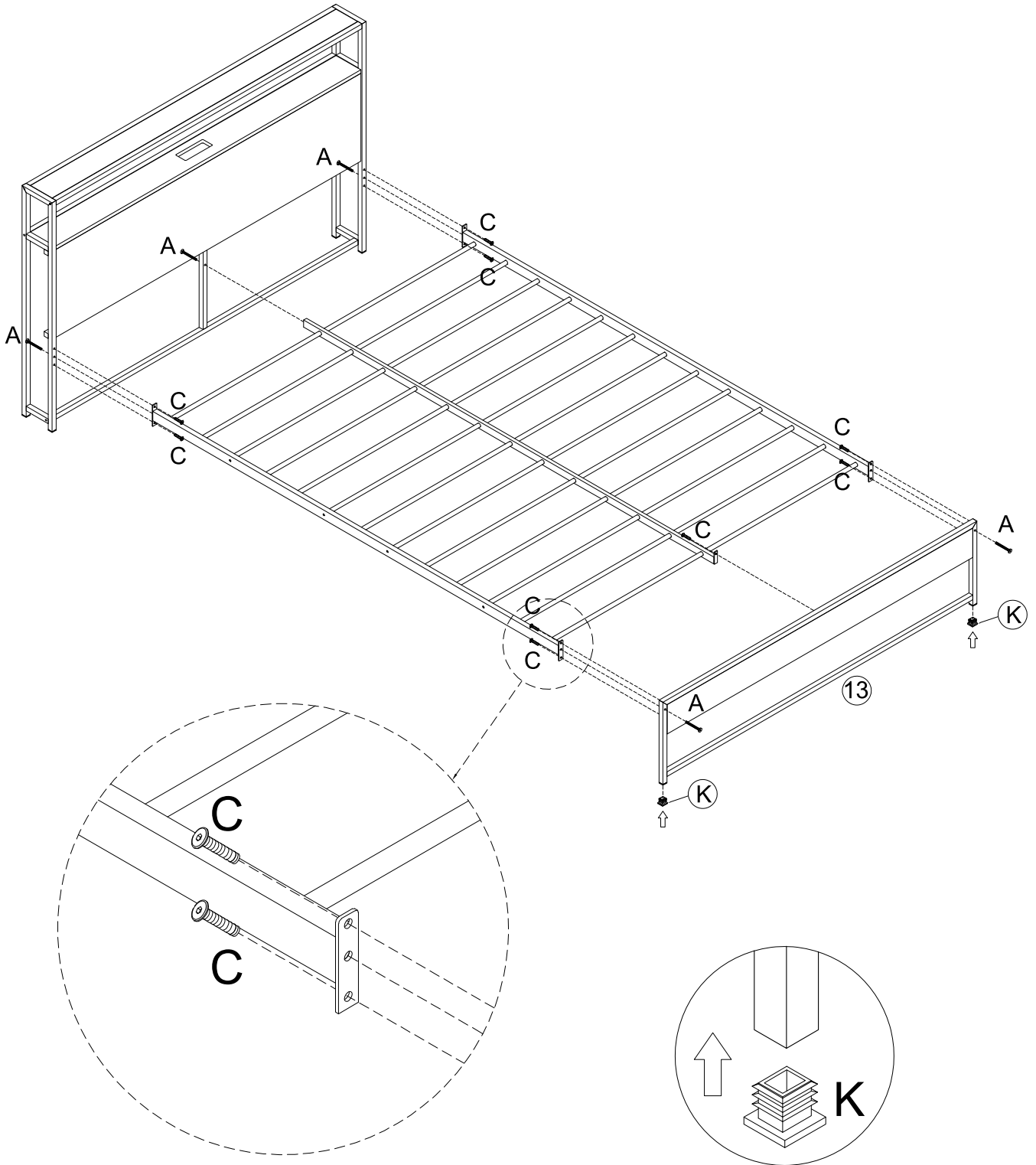
STEP 5

C
 M $\frac{1}{4}$ "x15
8 PCS


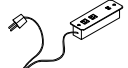


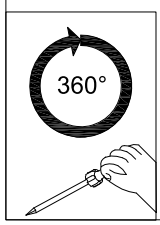
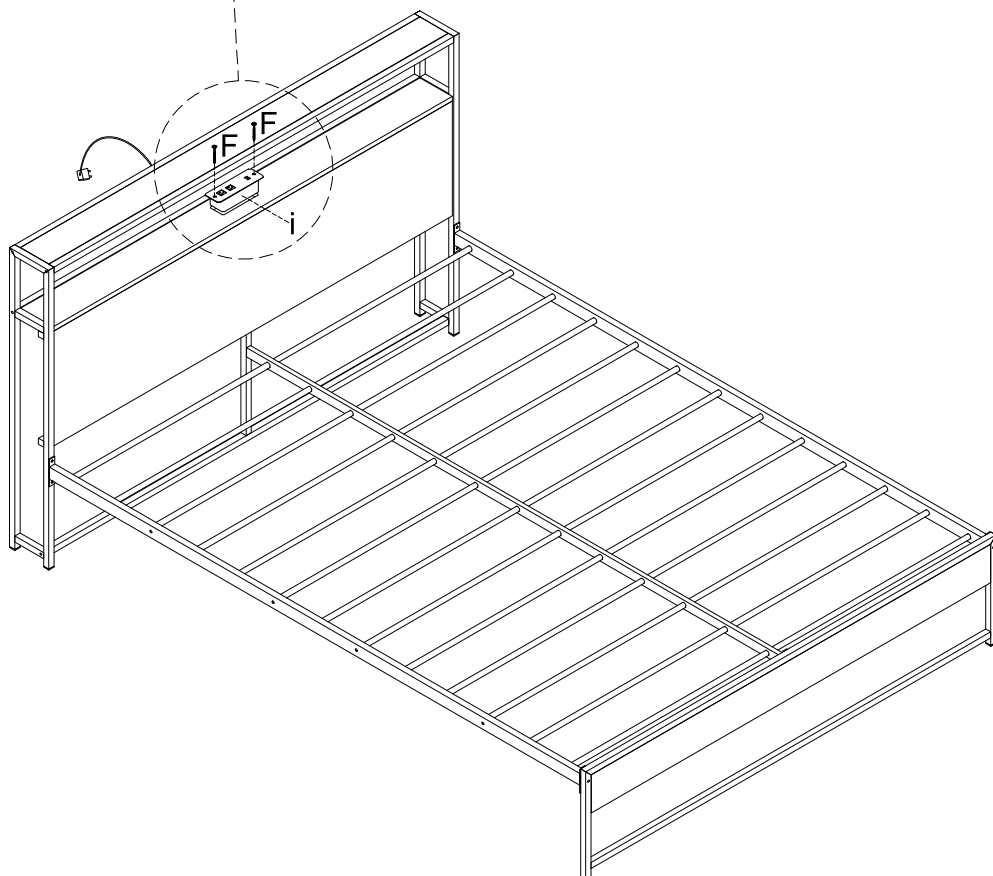
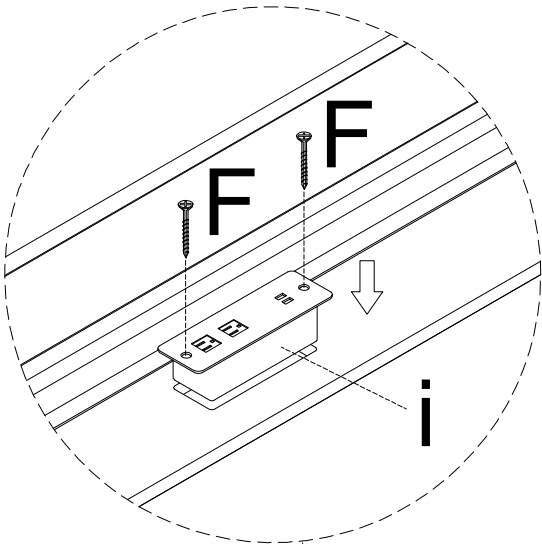
STEP 6

A	C	K
 M $\frac{1}{4}$ "x35	 M $\frac{1}{4}$ "x15	 #20x20x13
5 PCS	9 PCS	2 PCS





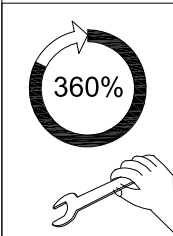
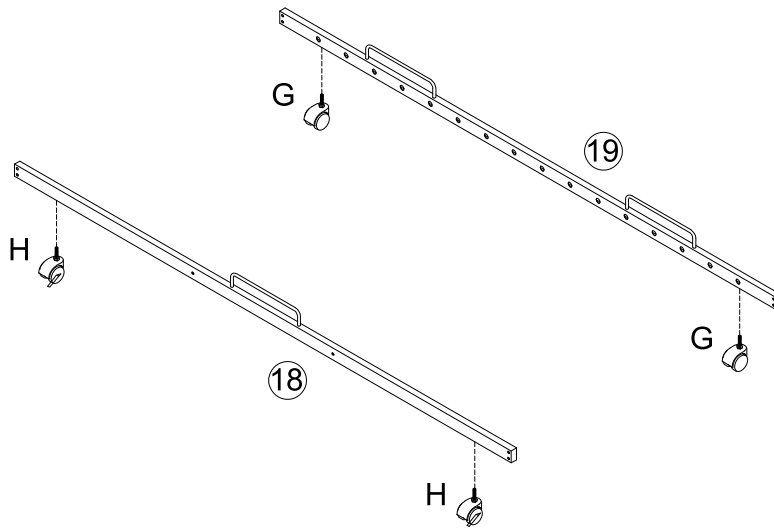
STEP 7

F	i
	
M3.5x15	174x55x45H
2 PCS	1 PC

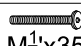
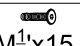


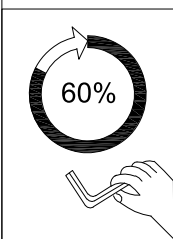
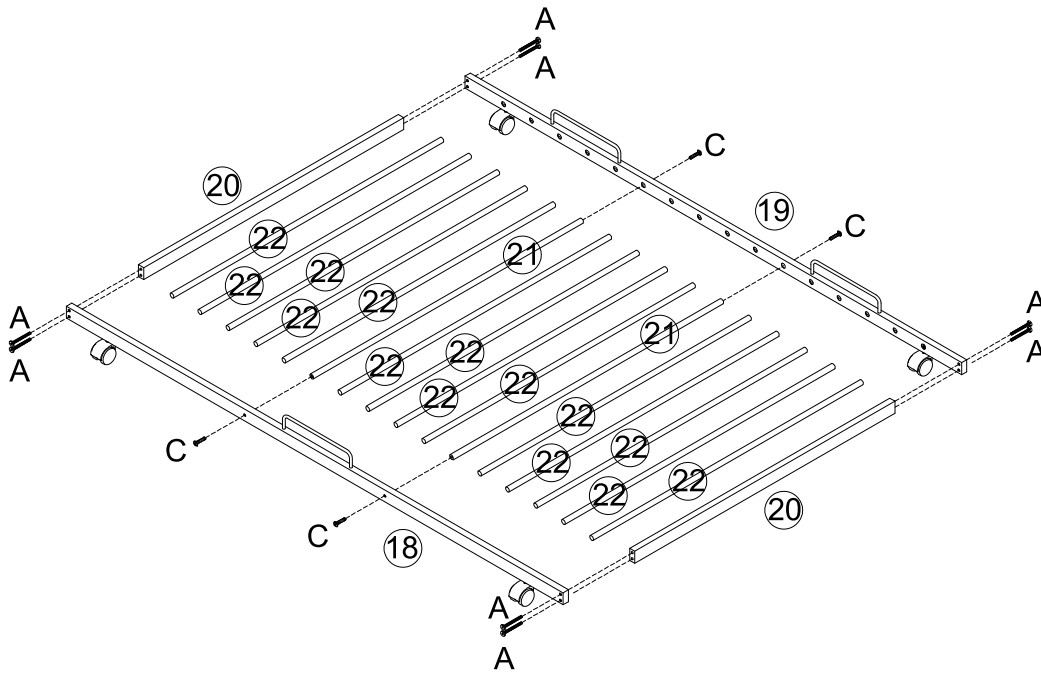
STEP 8

G	H
 M $\frac{5}{16}$ "xØ50x70H	 M $\frac{5}{16}$ "xØ50x70H
2 PCS	2 PCS



STEP 9

A	C
 M $\frac{1}{4}$ "x35	 M $\frac{1}{4}$ "x15
8 PCS	4 PCS



STEP 10

