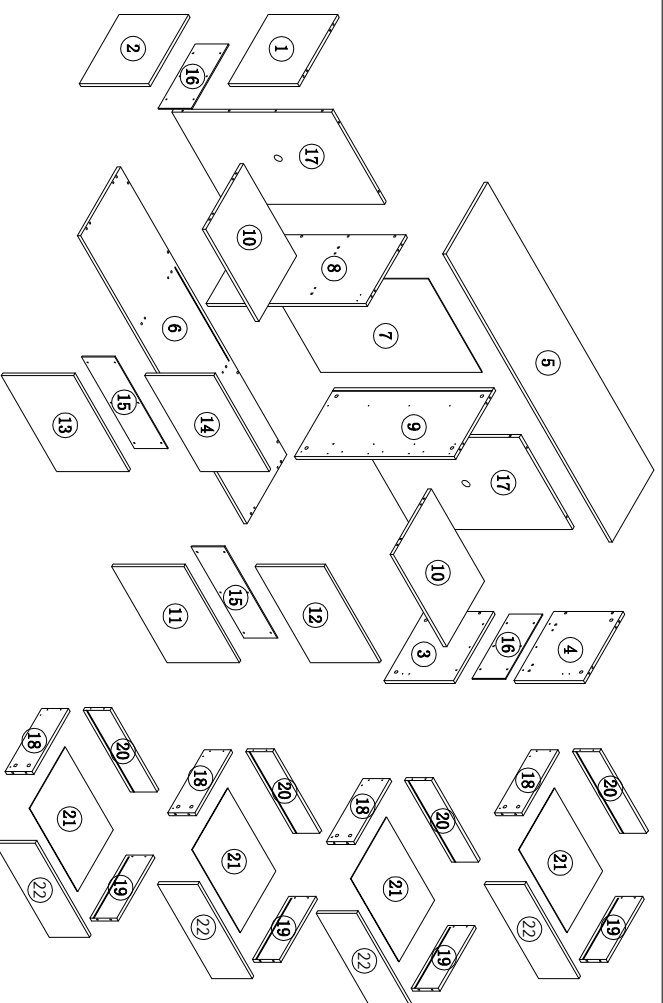
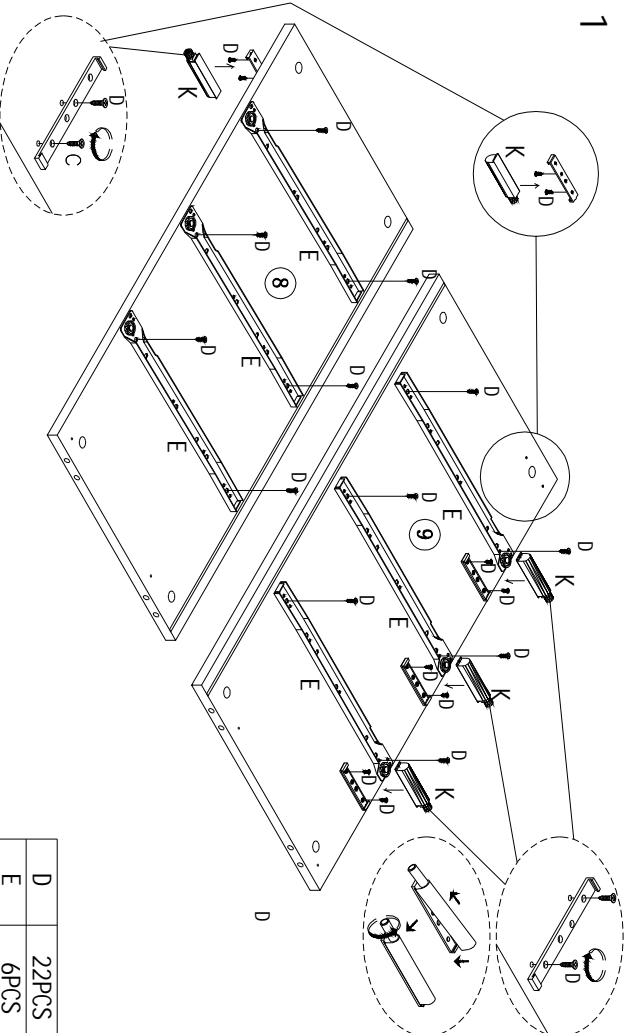


A		64PCS
B		64PCS
C		24PCS
D		70PCS
E		4SET
F		4PCS
G		24PCS
H		16PCS
I		8PCS
J		16PCS
K		6PCS
L		1SET

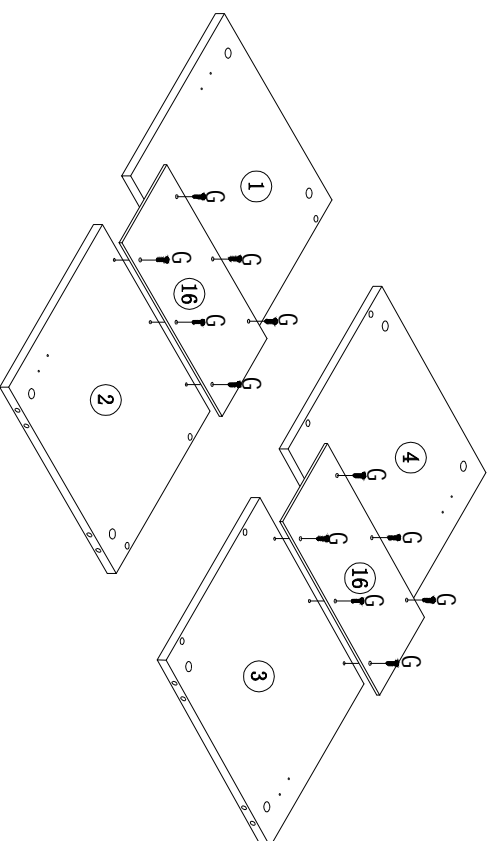


1



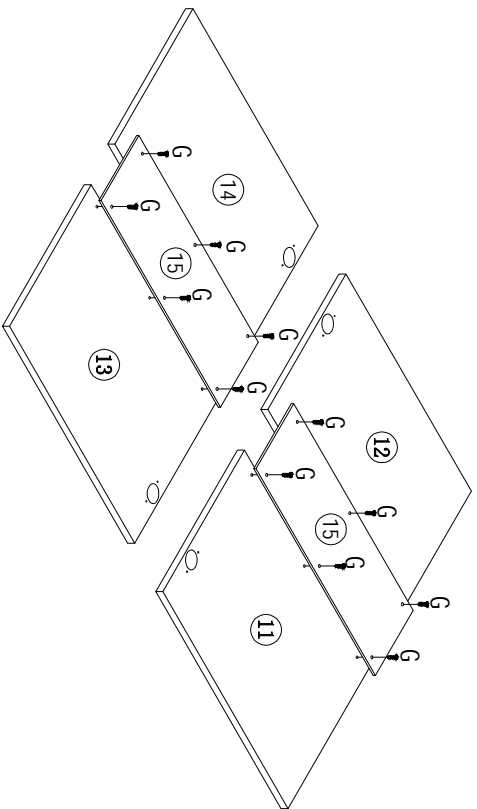
D	22PCS
E	6PCS
K	5PCS

2



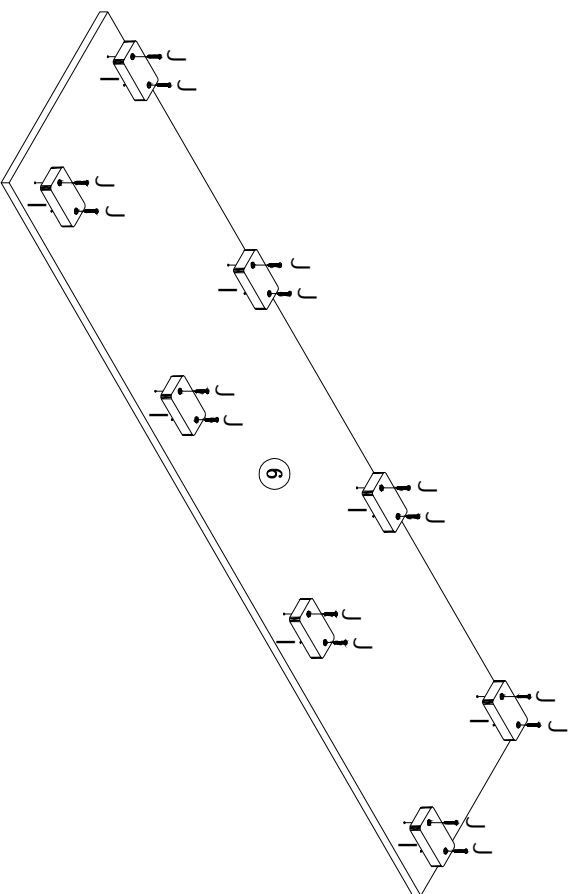
G	12PCS
----------	-------

3



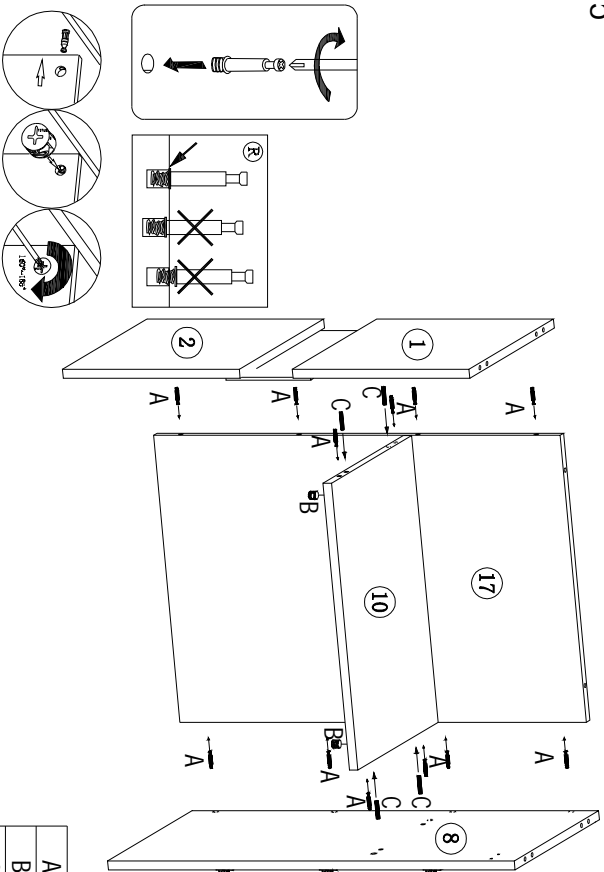
G 12PCS

4



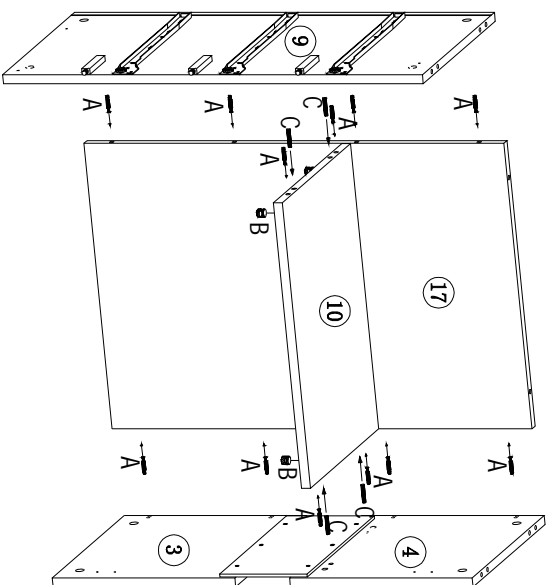
I 8PCS
J 16PCS

5

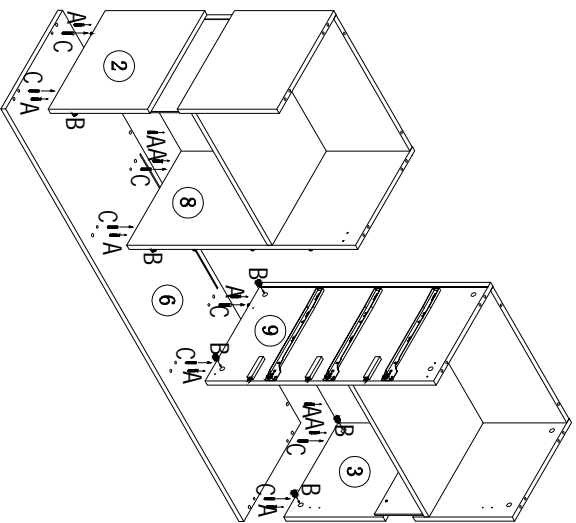


A	12PCS
B	12PCS
C	4PCS

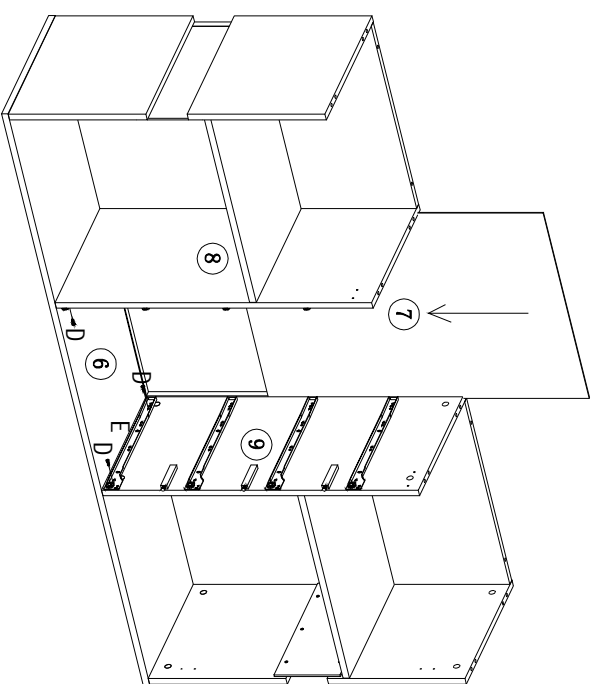
6



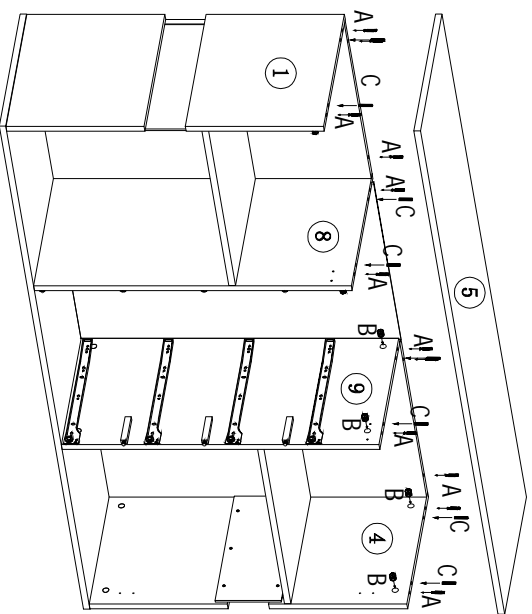
A	12PCS
B	12PCS
C	4PCS



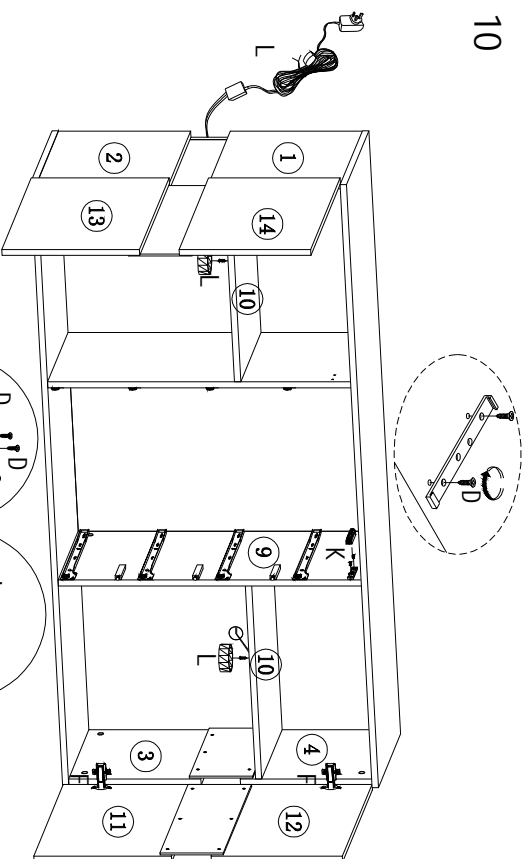
A	12PCS
B	12PCS
C	8PCS



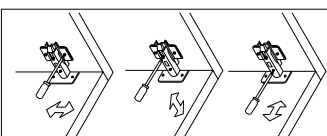
D	4PCS
E	2PCS



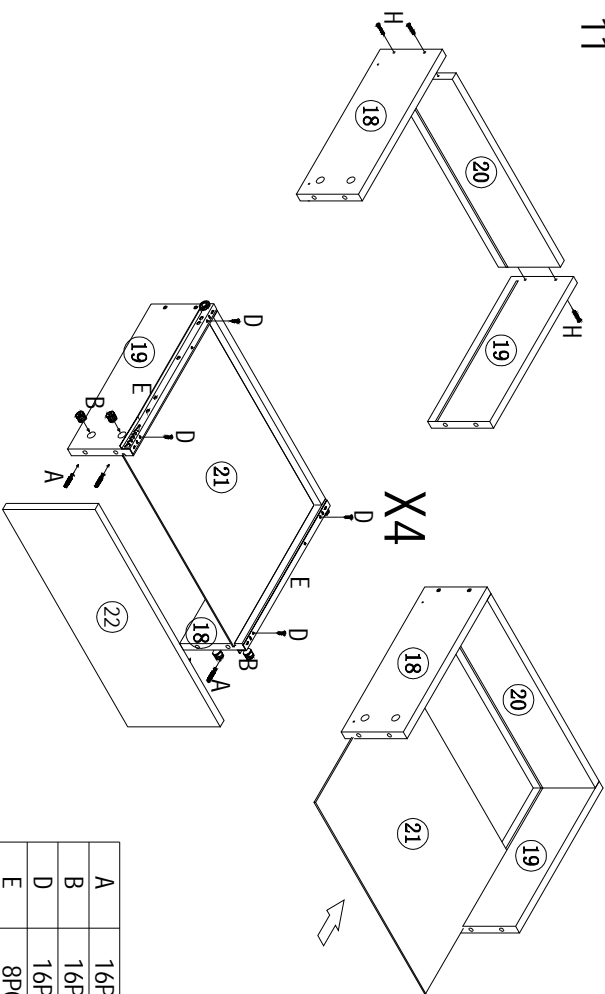
A	12PCS
B	12PCS
C	8PCS



D	28PCS
F	4PCS
K	1PC
L	1SET

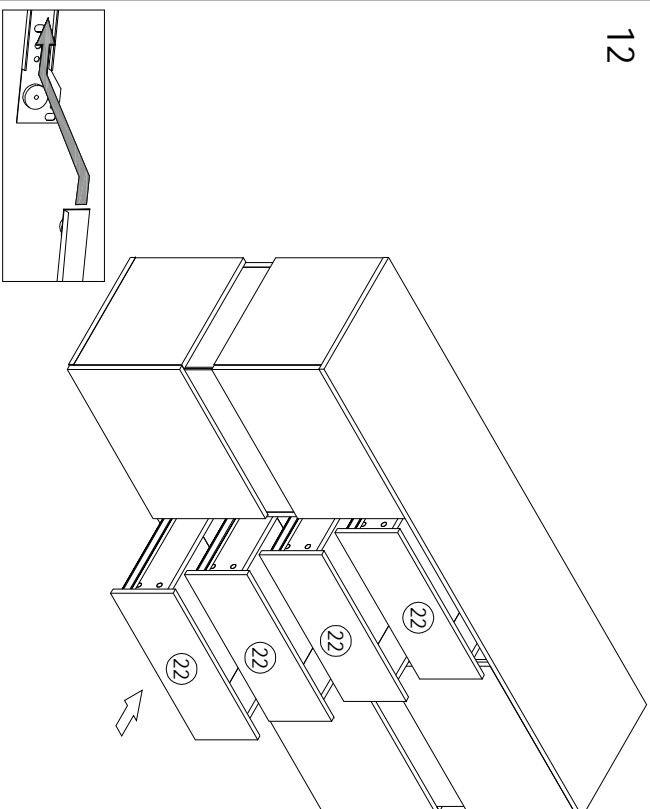


11



A	16PCS
B	16PCS
D	16PCS
E	8PCS
H	16PCS

12



13

