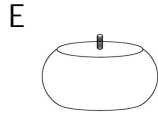
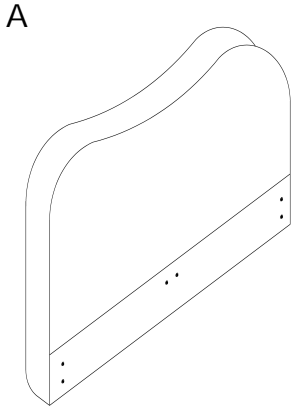


# UPHOLSTERED BED QUEEN ASSEMBLY INSTRUCTIONS





## BOX#1

- A. HEADBOARD PANEL
- E. LEG







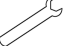

1 PC  
2 PCS



## HARDWARE KIT PACKED IN BOX#1

|   |                   |   |       |
|---|-------------------|---|-------|
| 1 | FLAT WASHER (8mm) |  | 2 PCS |
| 2 | LOCK WASHER(8mm)  |  | 2 PCS |
| 3 | HEX NUT (8mm)     |  | 2 PCS |
| 4 | WRENCH (8mm)      |  | 1 PC  |

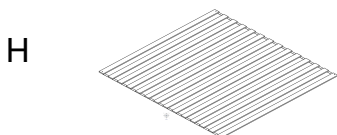
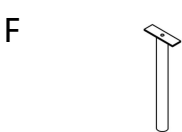
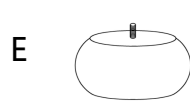
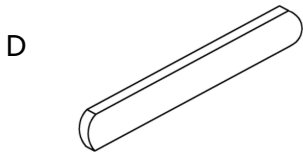
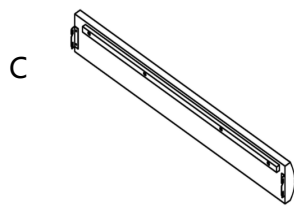
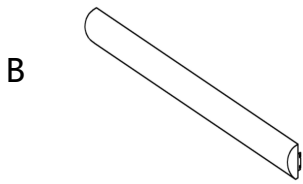
## HARDWARE KIT PACKED IN BOX#2

|    |                            |   |       |
|----|----------------------------|---|-------|
| 5  | ALLEN BOLT (6 x 40mm)      |    | 3 PCS |
| 6  | PHILLIPS SCREW (7 x 35mm ) |    | 4 PCS |
| 7  | FLAT WASHER (8mm)          |    | 2 PCS |
| 8  | FLAT WASHER (6mm)          |    | 3 PCS |
| 9  | LOCK WASHER(6mm)           |   | 2 PCS |
| 10 | HEX NUT (8mm)              |  | 2 PCS |
| 11 | WRENCH (8mm)               |  | 1 PC  |
| 12 | ALLEN KEY (8mm)            |  | 1 PC  |

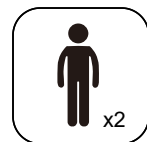
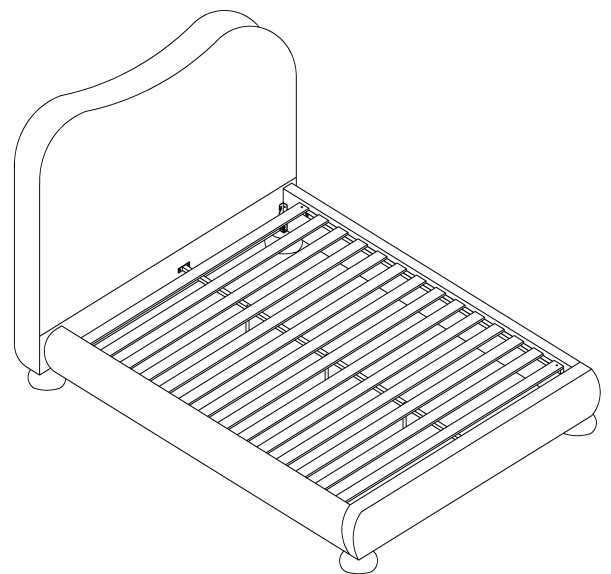
## BOX#2

- B. LEFT SIDE RAIL
- C. RIGHT SIDE RAIL
- D. FOOTBOARD
- E. LEG
- F. SUPPORT LEG
- G. CENTER SLAT SUPPORT
- H. SLAT ROLL

1 PC  
1 PC  
1 PC  
2 PCS  
3 PCS  
1 PC  
1 SET

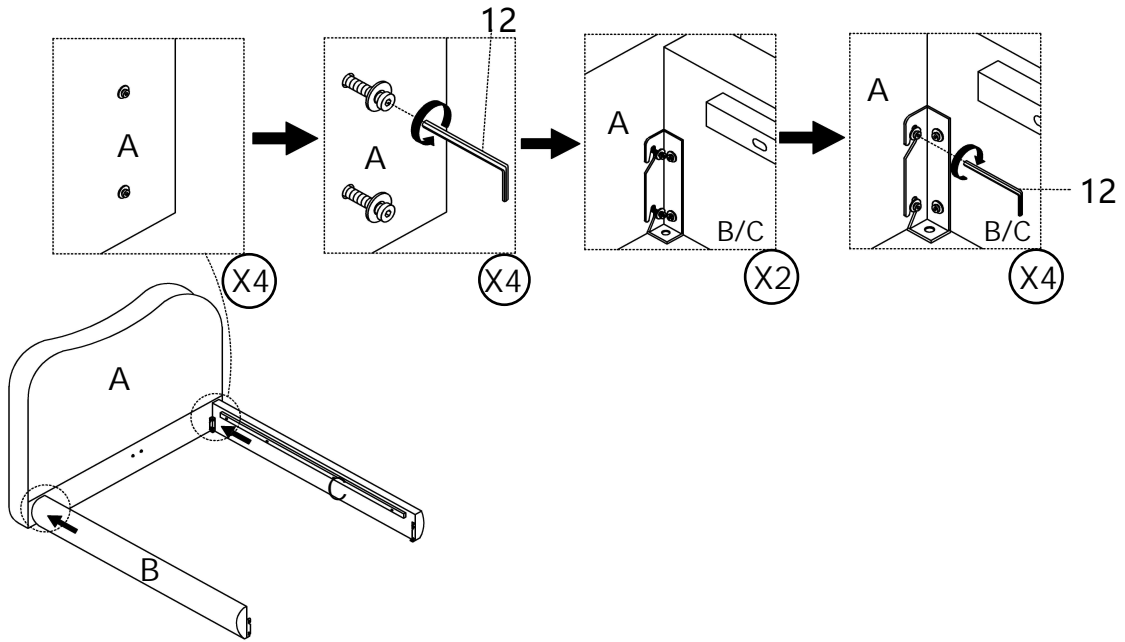


## FULLY ASSEMBLED

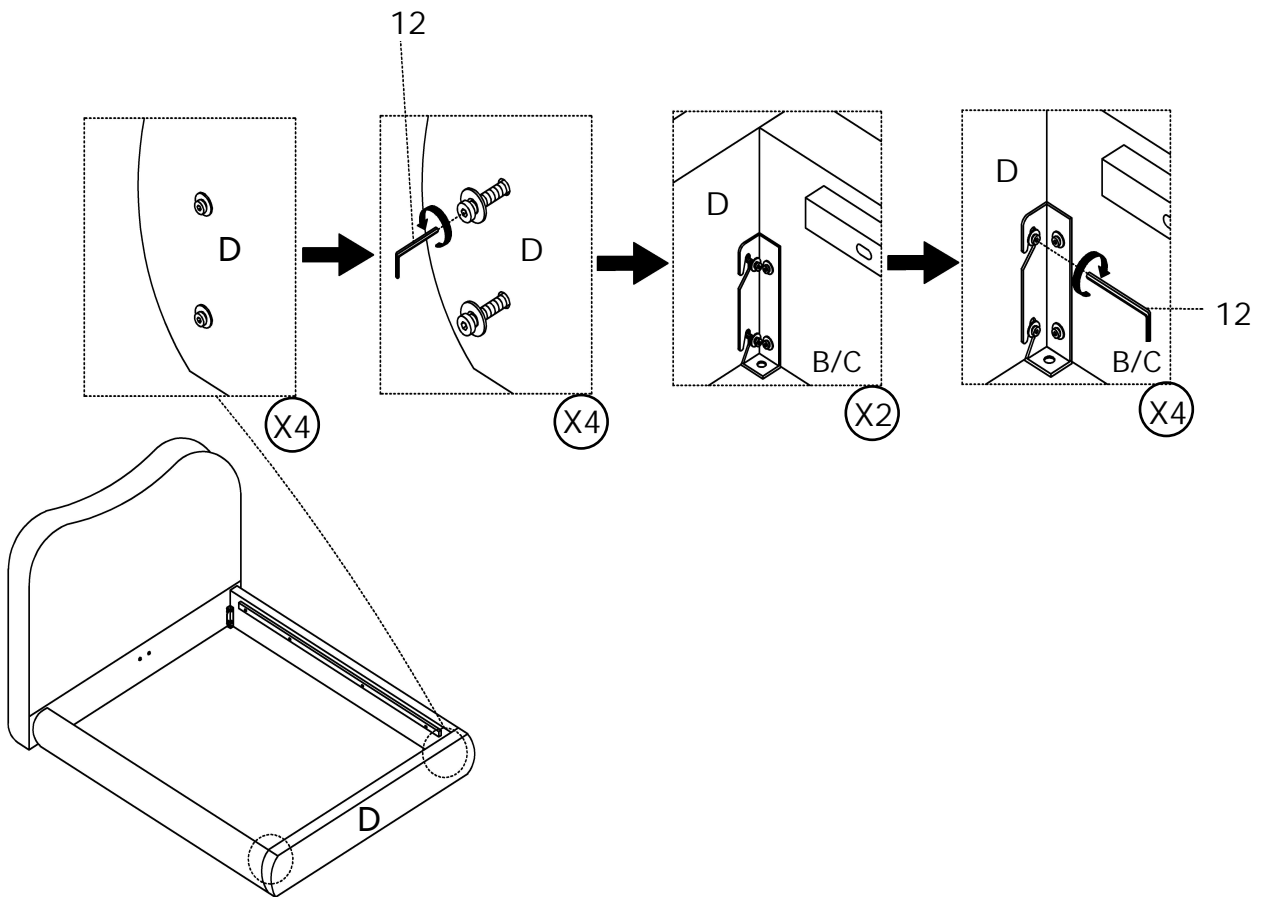


# UPHOLSTERED BED QUEEN ASSEMBLY INSTRUCTIONS

## STEP 1

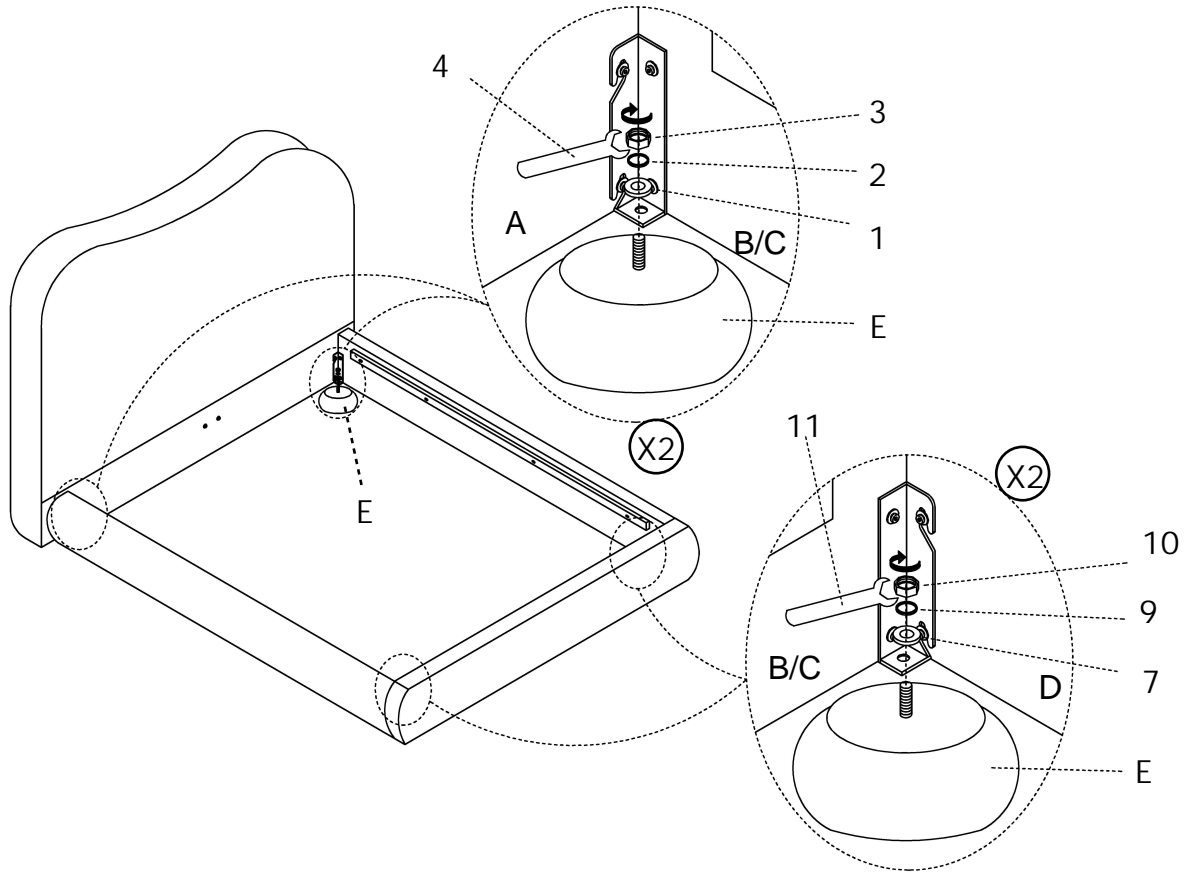


## STEP 2



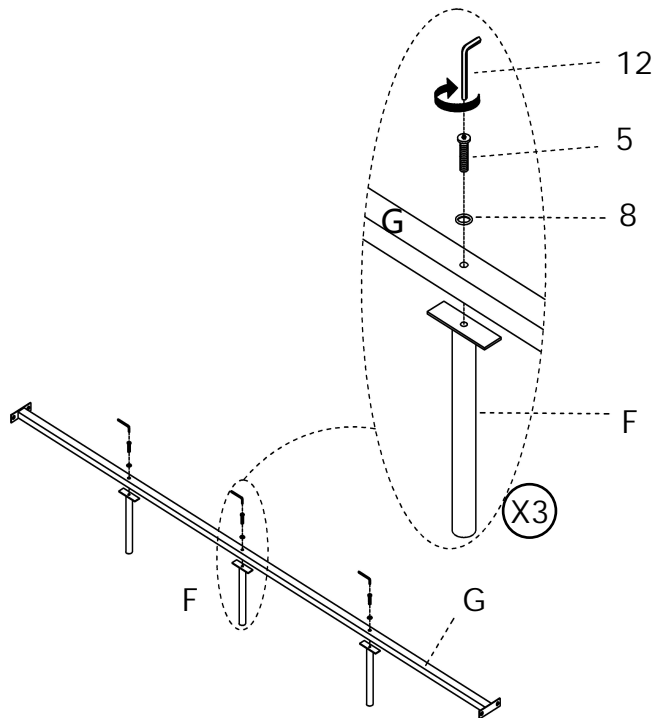
# UPHOLSTERED BED QUEEN ASSEMBLY INSTRUCTIONS

## STEP 3



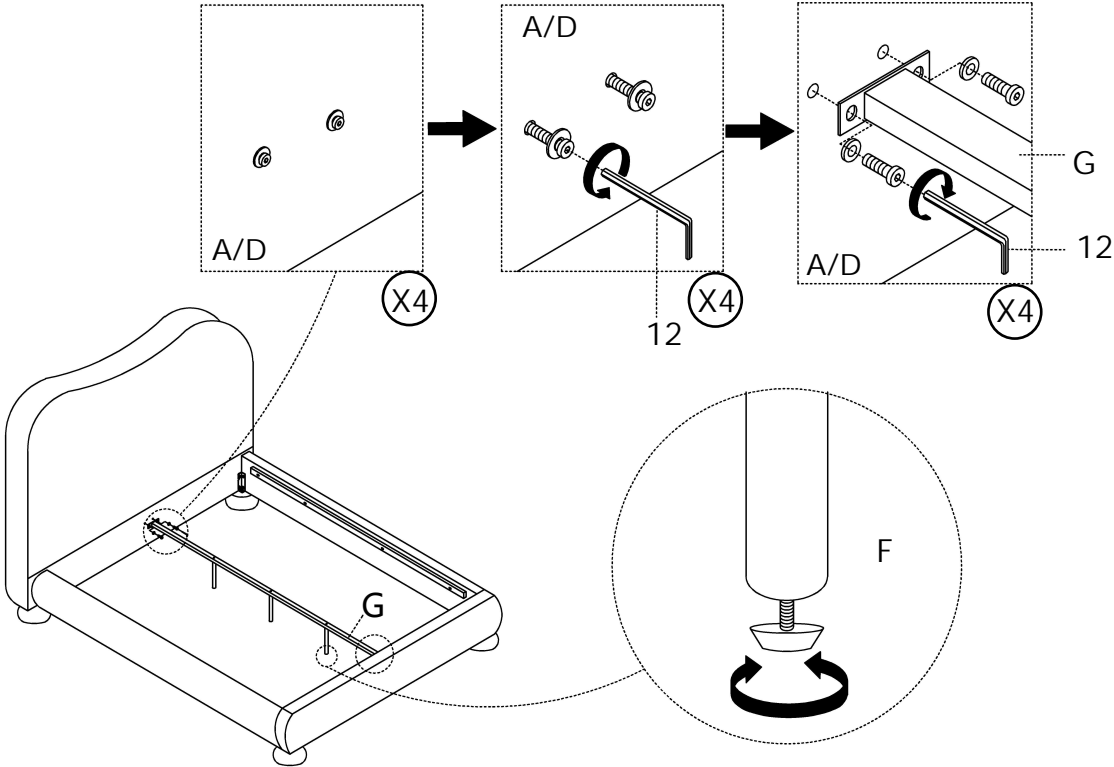
**STOP** IF USING BED WITH AN ADJUSTABLE MATTRESS BASE, SKIP STEPS 4, 5 & 6 AND REFERENCE APPENDIX A: ADJUSTABLE MATTRESS BASE ASSEMBLY SUPPLEMENT. IF USING BED FRAME WITH STANDARD BOX SPRING OR FOUNDATION, CONTINUE TO STEP 4.

## STEP 4

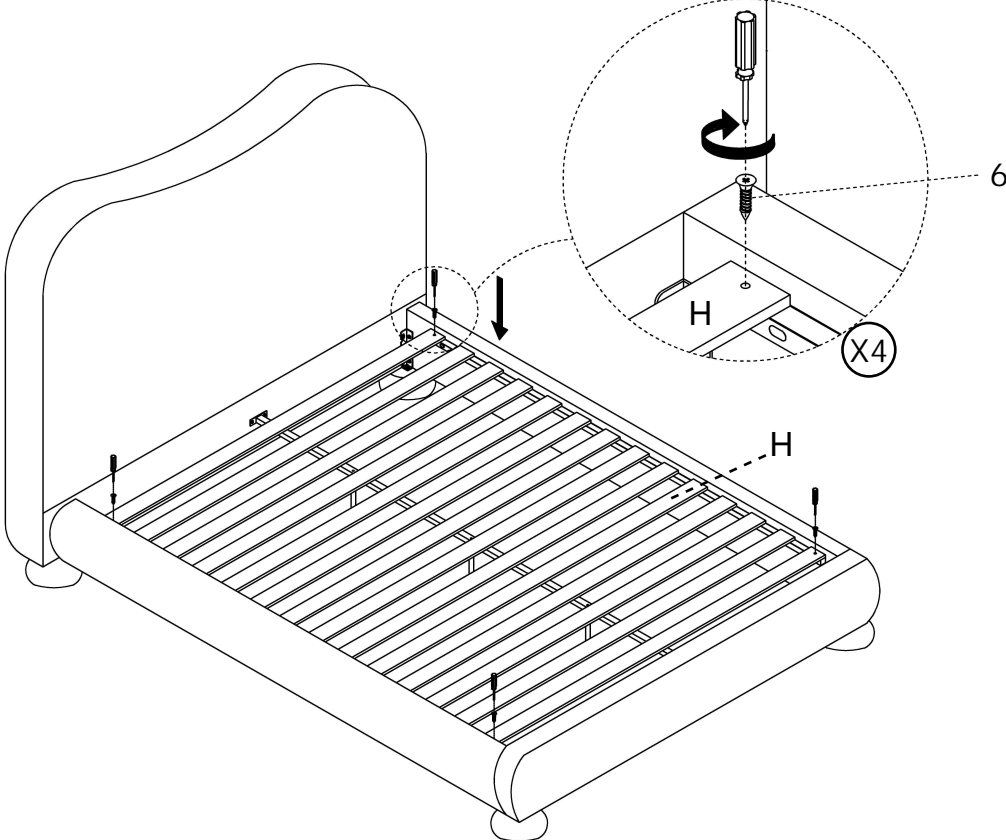


# UPHOLSTERED BED QUEEN ASSEMBLY INSTRUCTIONS

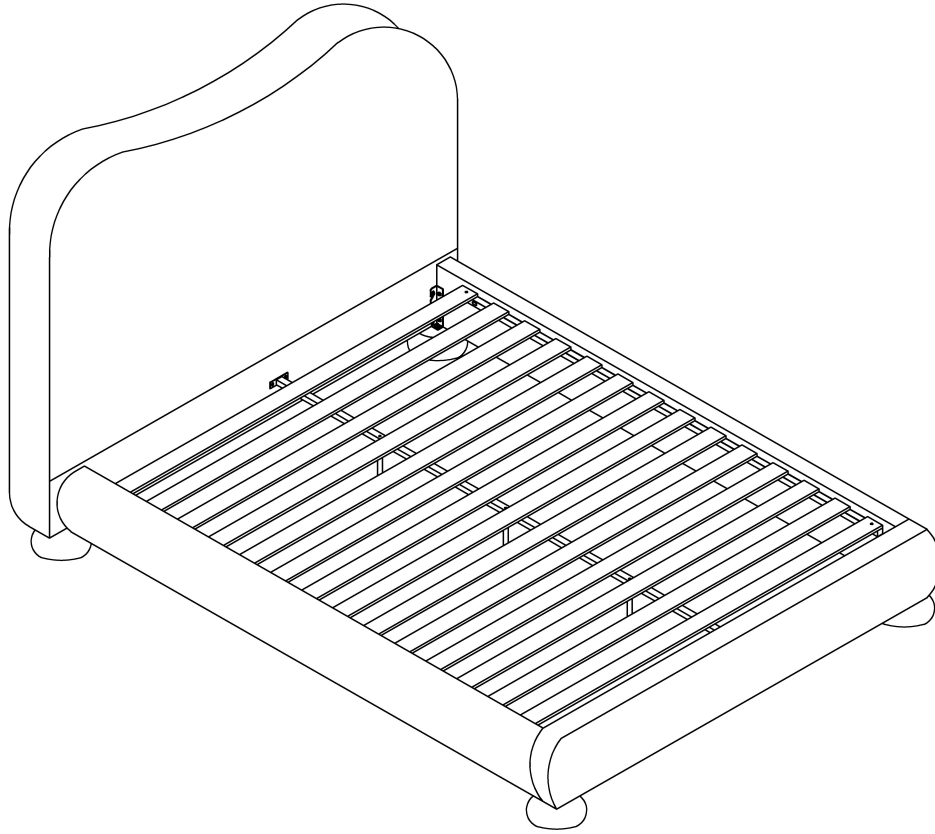
## STEP 5



## STEP 6



# UPHOLSTERED BED QUEEN ASSEMBLY INSTRUCTIONS



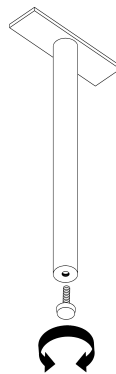
ASSEMBLY COMPLETE.

## INSTRUCTIONS FOR ADJUSTING LEVELERS:

POSITION THE BED IN YOUR ROOM.  
LOCATE LEVELERS UNDER EACH  
SUPPORT LEG ( F ).

TURN COUNTER-CLOCKWISE TO  
EXTEND, CLOCKWISE TO RETRACT.

ADJUST LEVELERS UNTIL EACH LEG  
SUPPORT IS APPLYING EQUAL UPWARD  
PRESSURE ON THE CENTER SLAT.



## MAINTENANCE INSTRUCTIONS:

- PERIODICALLY CHECK ALL FITTINGS AND TIGHTEN IF NECESSARY, AS THEY CAN LOOSEN OVER TIME.
- ALWAYS REMOVE BOX SPRING AND MATTRESS BEFORE MOVING THE BED.
- LIFT THE BED WHEN MOVING IT. DRAGGING THE BED CAN DAMAGE THE CENTER SUPPORT.
- READJUST LEVELERS AFTER MOVING THE BED.

# UPHOLSTERED BED QUEEN ASSEMBLY INSTRUCTIONS

AN ADJUSTABLE MATTRESS BASE IS A FREESTANDING MATTRESS SUPPORT THAT SITS WITHIN THE PERIMETER OF THE BED FRAME.

IF USING THIS BED FRAME WITH A STANDARD BOX SPRING OR FOUNDATION THESE INSTRUCTIONS DO NOT APPLY.

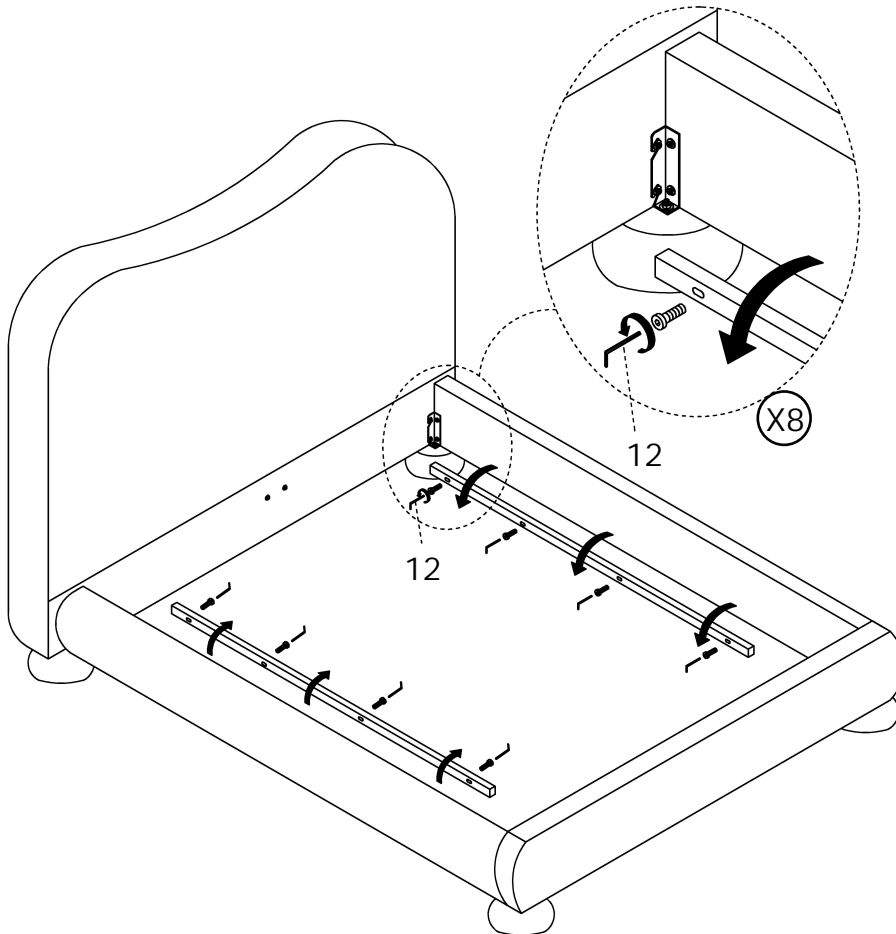
PRE-ASSEMBLED SIDE RAIL CLEATS OBSTRUCT ADJUSTABLE BASE INSTALLATION AND OPERATION. FOLLOW THESE INSTRUCTIONS TO REMOVE THEM.

## THE FOLLOWING PARTS ARE NOT REQUIRED FOR ADJUSTABLE MATTRESS BASE INSTALLATION:

|                        |       |
|------------------------|-------|
| F. SUPPORT LEG         | 3 PCS |
| G. CENTER SLAT SUPPORT | 1 PC  |
| H. SLAT ROLL           | 1 SET |

### STEP 1 :

USE ALLEN KEY (12) TO UNSCREW ALLEN BOLTS  
AND REMOVE PRE-ASSEMBLED SIDE RAIL  
CLEATS.



**NOTE:** YOU MAY WISH TO RETAIN UNUSED PARTS  
IF IN THE FUTURE YOU INTEND TO USE THE BED FRAME  
WITH A STANDARD BOX SPRING OR FOUNDATION.