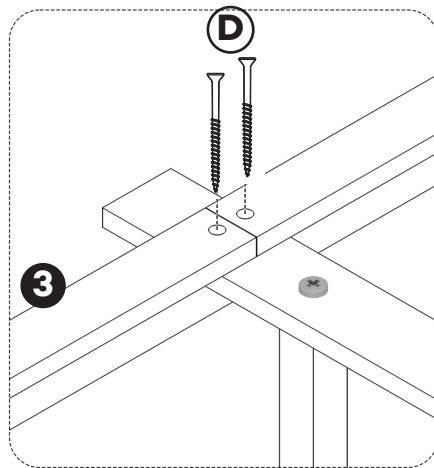
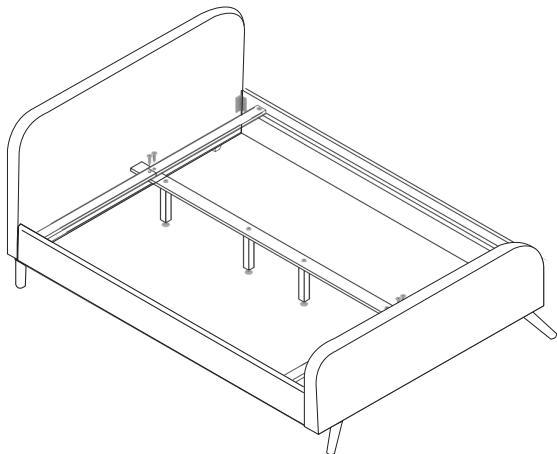
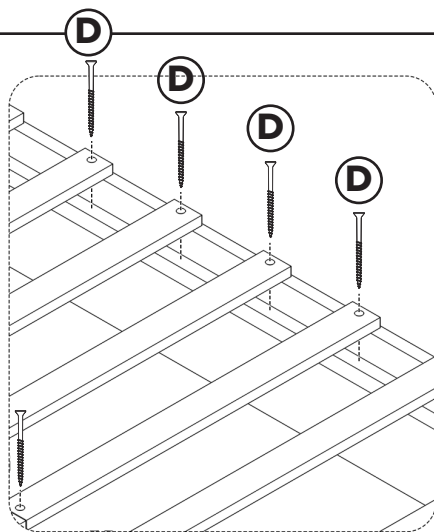
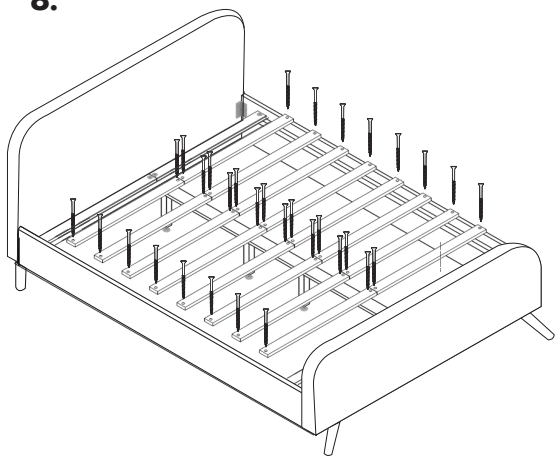


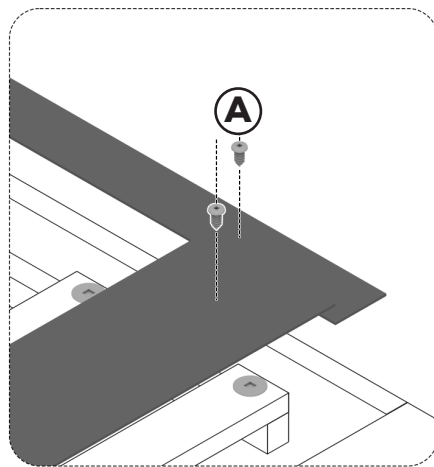
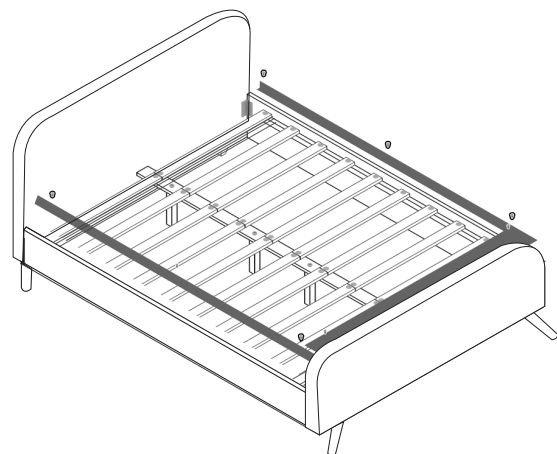
7.



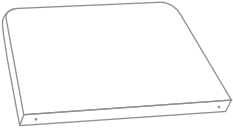

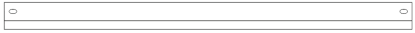




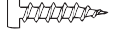
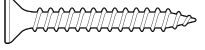

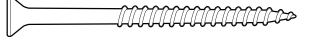




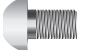

8.



9.



INSTRUCTIONS

		S	D	Q	K
1		1	1	1	1
2		1	1	1	1
3		13	26	26	13
4		0	1	1	2
5		2	2	2	2
6		0	4	4	8
7		2	2	2	2
A	 .5"	12	12	12	12
B	 .75"	8	8	8	8
C	 1"	8	8	8	8
D	 1.5"	26	52	52	52
E	 3"	0	4	4	8
F		0	4	4	8
G		2	2	2	2
H		2	2	2	2
I		4	4	4	4
J		0	4	4	8

