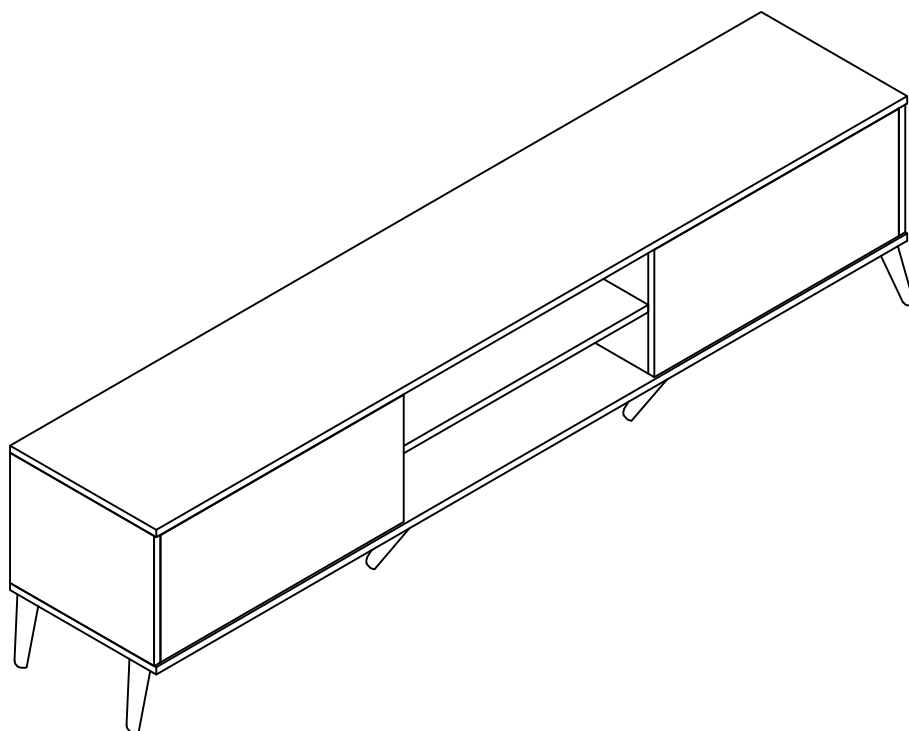






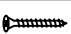
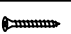
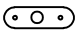


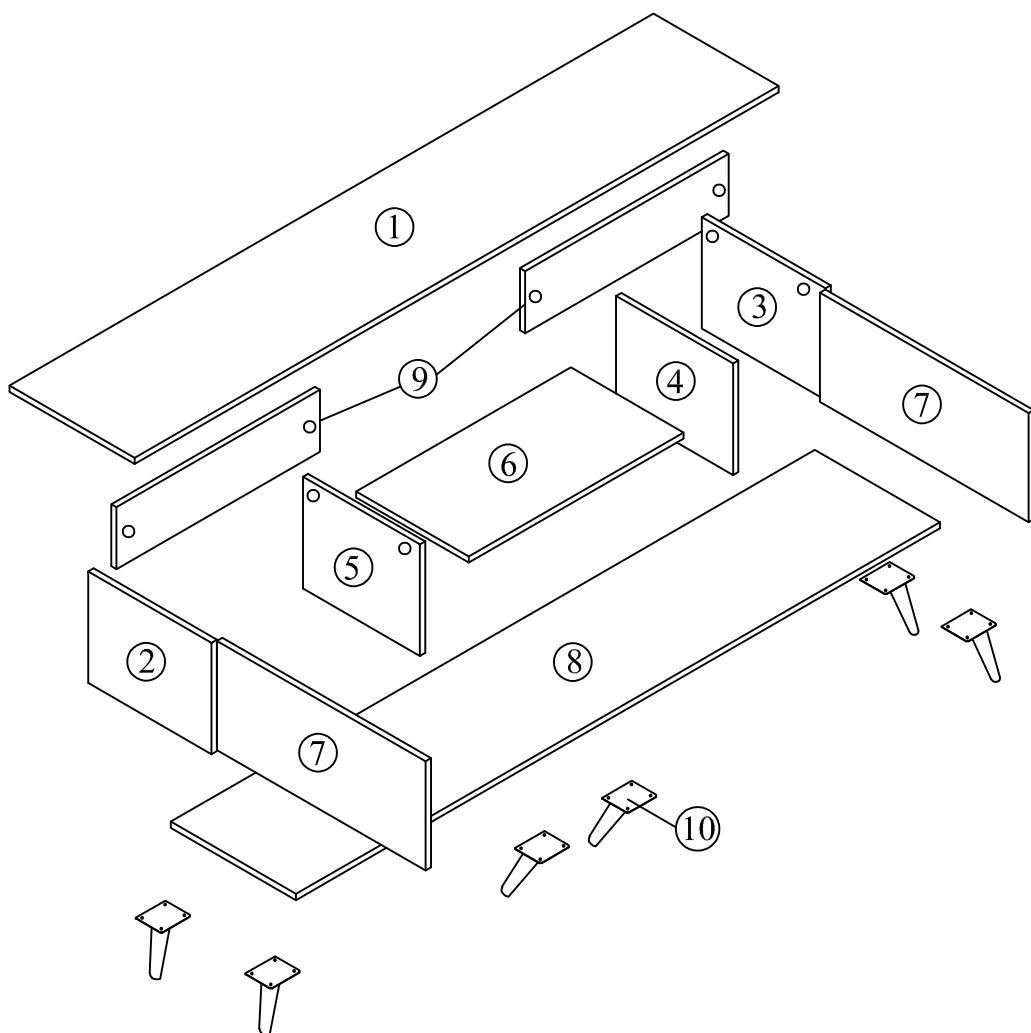


Assembly Instructions

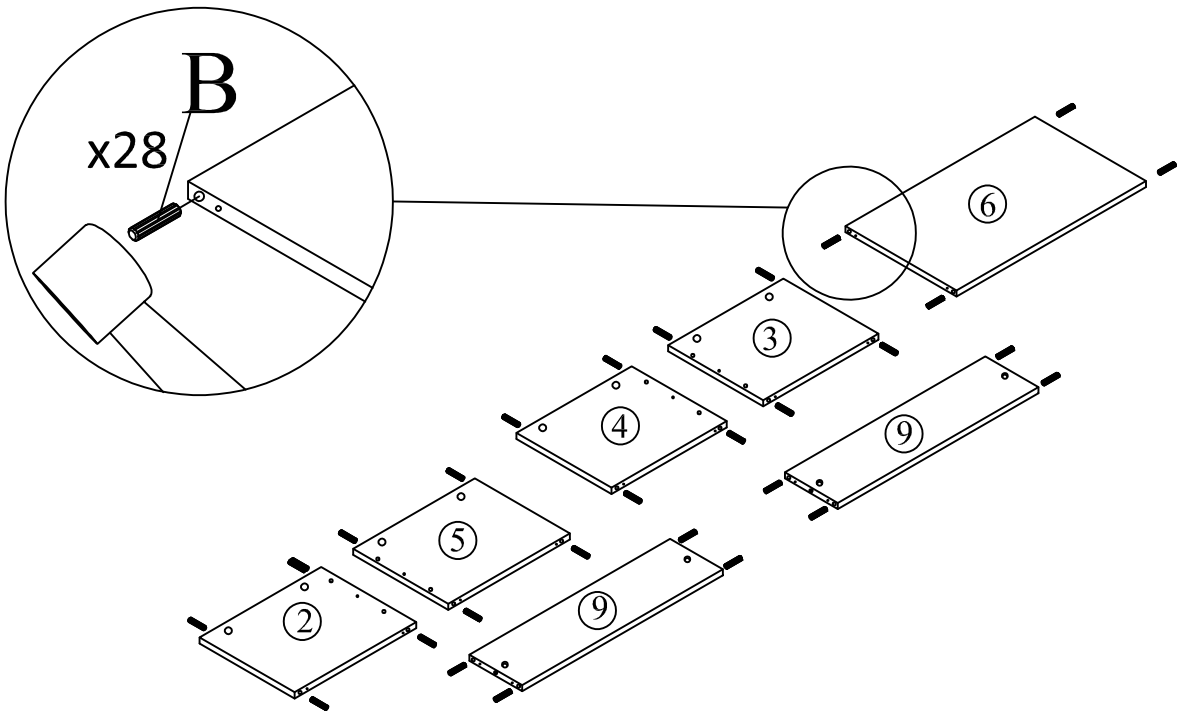
Part List		QTY
1	Top Panel	1
2	Left Side Panel	1
3	Right Side Panel	1
4	Middle Panel(R)	1
5	Middle Panel(L)	1
6	Middle Support Panel	1
7	Door Panel	2
8	Bottom Panel	1
9	Back Panel	2
10	Plastic Legs	6



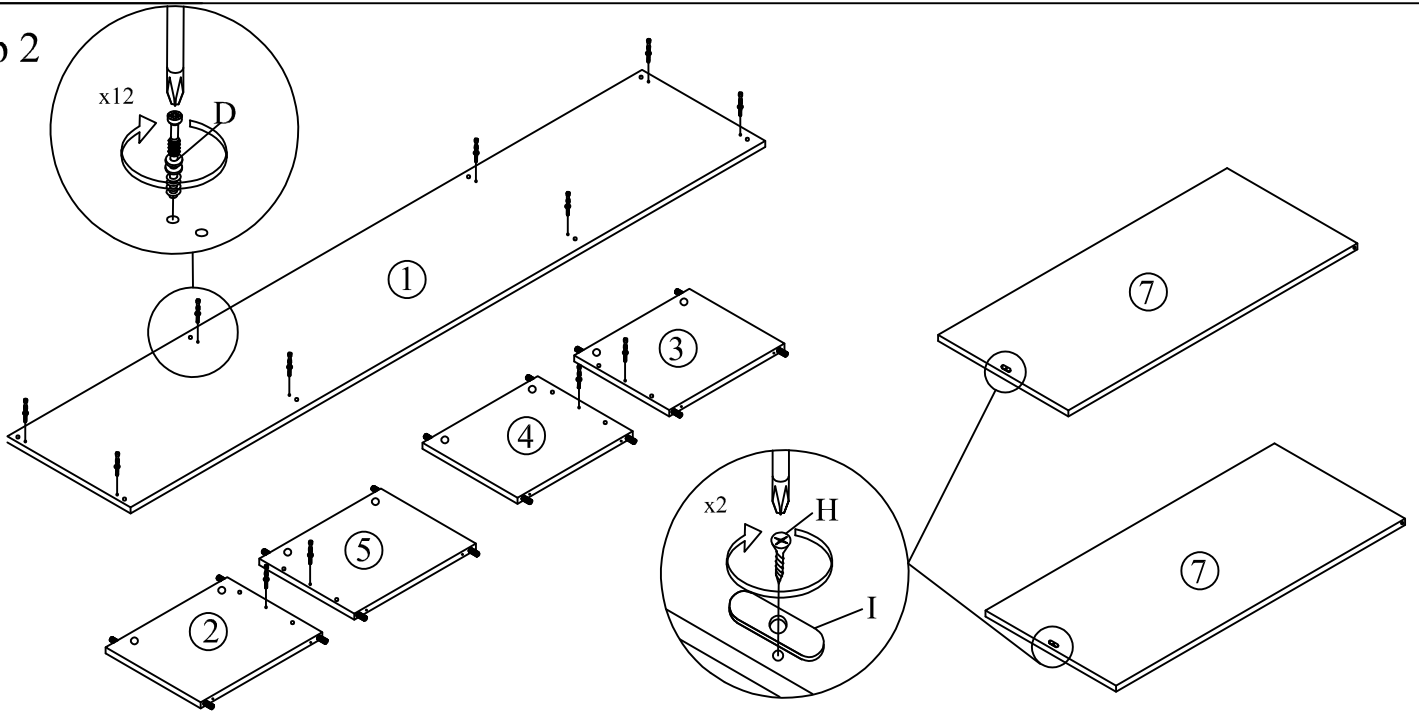
Hardware		QTY
A	Allen Key M4 	1
B	Wood Dowel 	28
C	JCBC W Screw M6x40 	12
D	Mini Fix Bolt 	12
E	Mini Fix Housing 	12
F	Mini Fix Cap 	12
G	CSK Screw M3.5x16mm 	24
H	CSK Screw M3.5x12mm 	2
I	Magnet Plate 	2
J	Magnet 	2
K	Door Support 	4



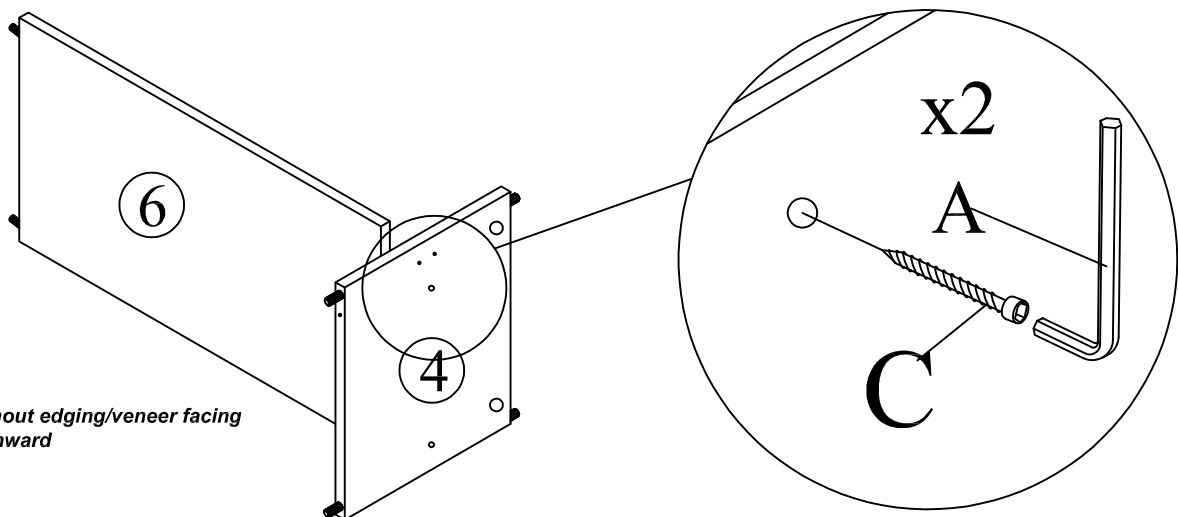
Step 1



Step 2

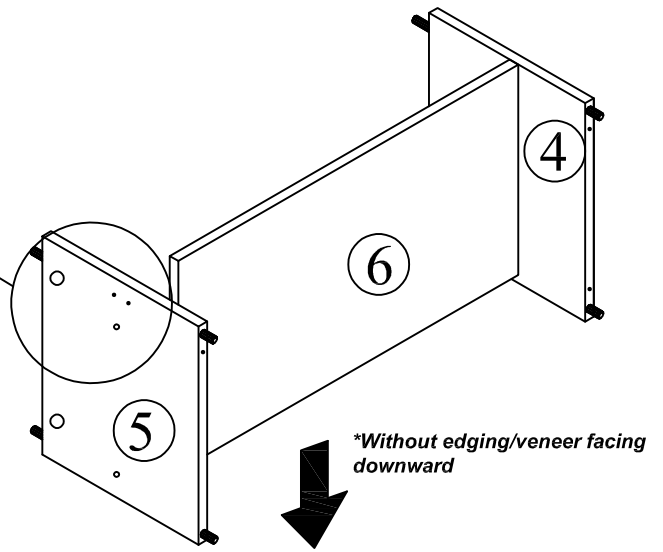
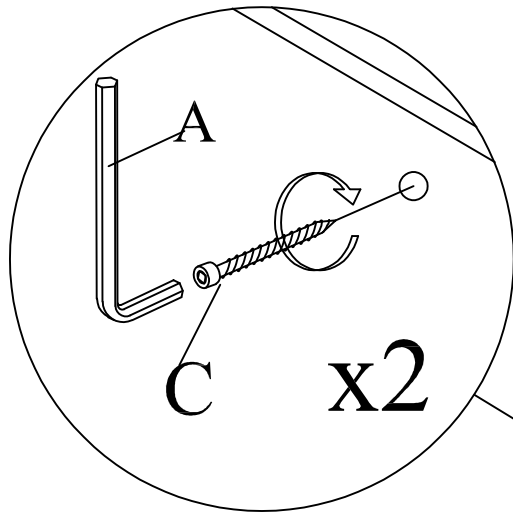


Step 3

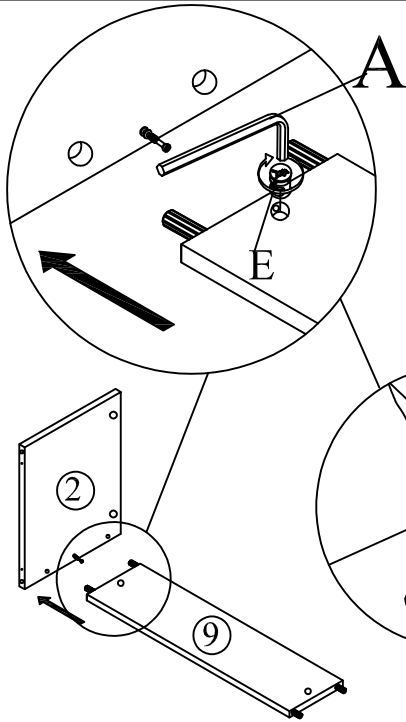


*Without edging/veneer facing downward

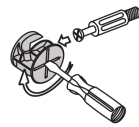
Step 4



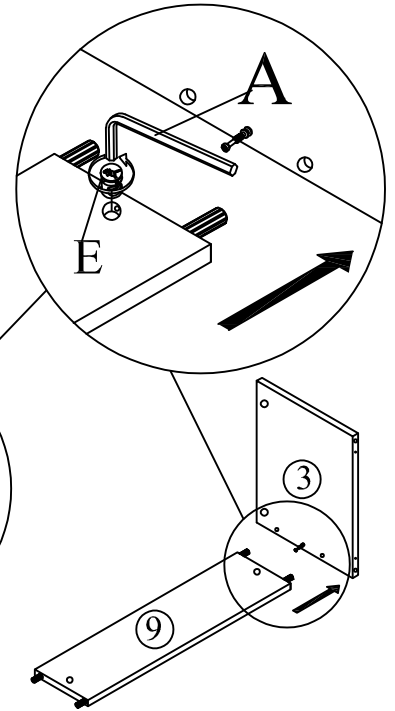
Step 5



This is how a mini fix works...

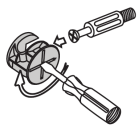


The head of the mini fix housing goes into the open mouth of the mini fix bolt. You then turn the mini fix housing so it tightens over the mini fix bolt.

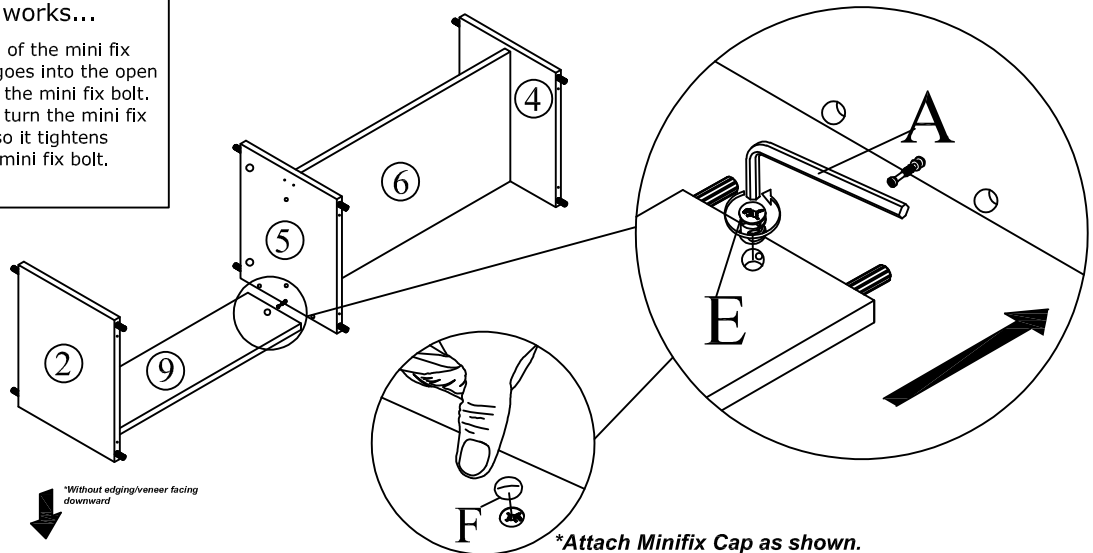


Step 6

This is how a mini fix works...

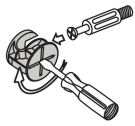


The head of the mini fix housing goes into the open mouth of the mini fix bolt. You then turn the mini fix housing so it tightens over the mini fix bolt.

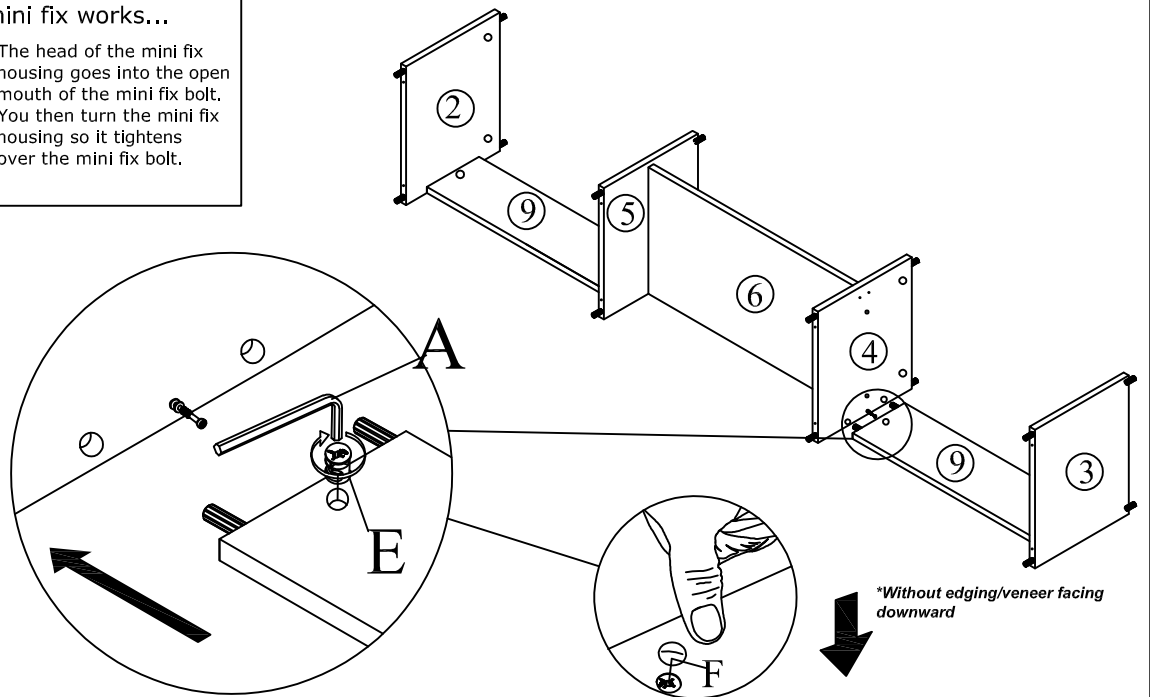


Step 7

This is how a mini fix works...



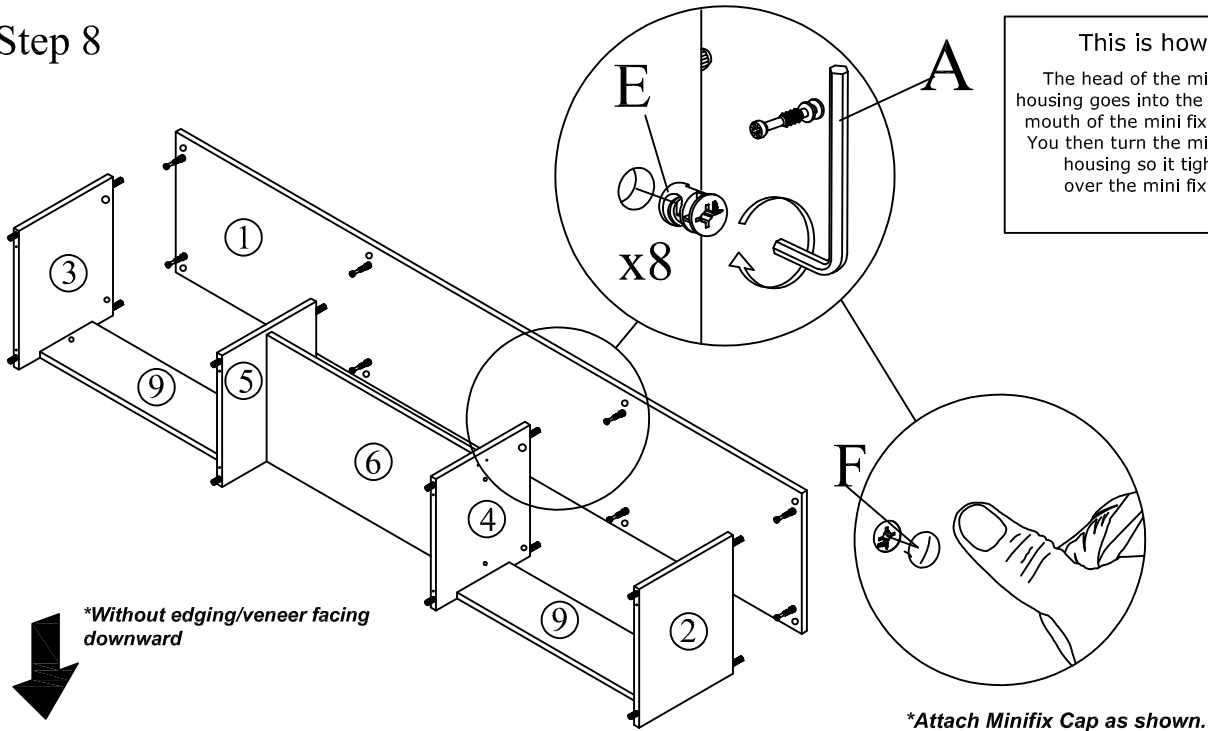
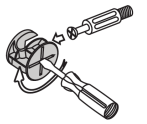
The head of the mini fix housing goes into the open mouth of the mini fix bolt. You then turn the mini fix housing so it tightens over the mini fix bolt.



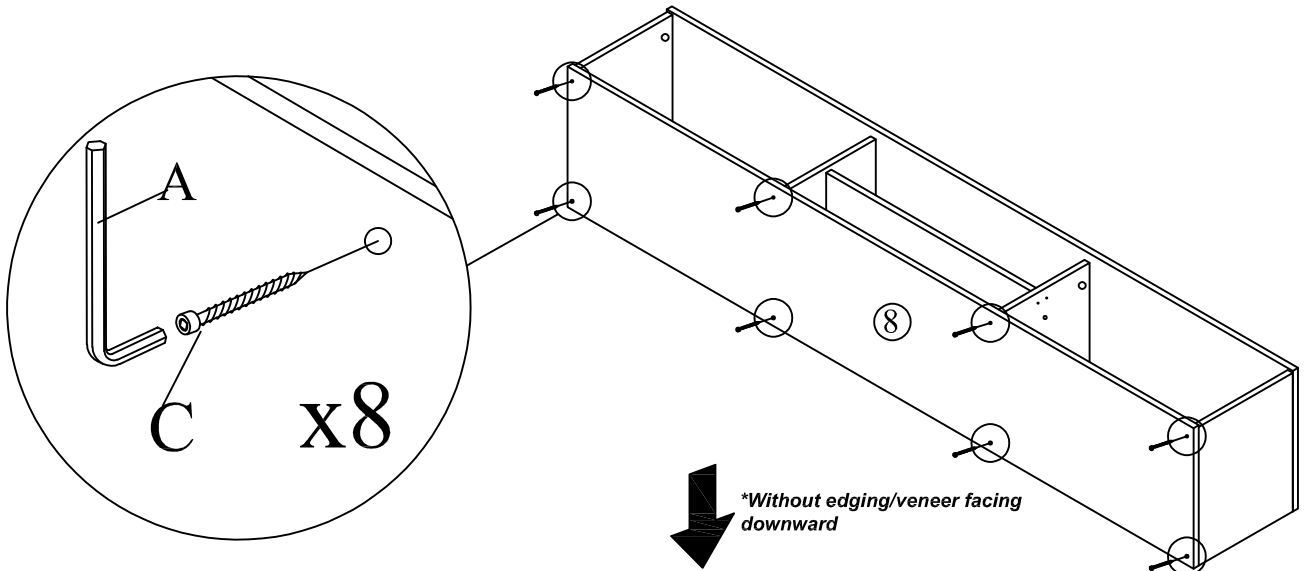
Step 8

This is how a mini fix works...

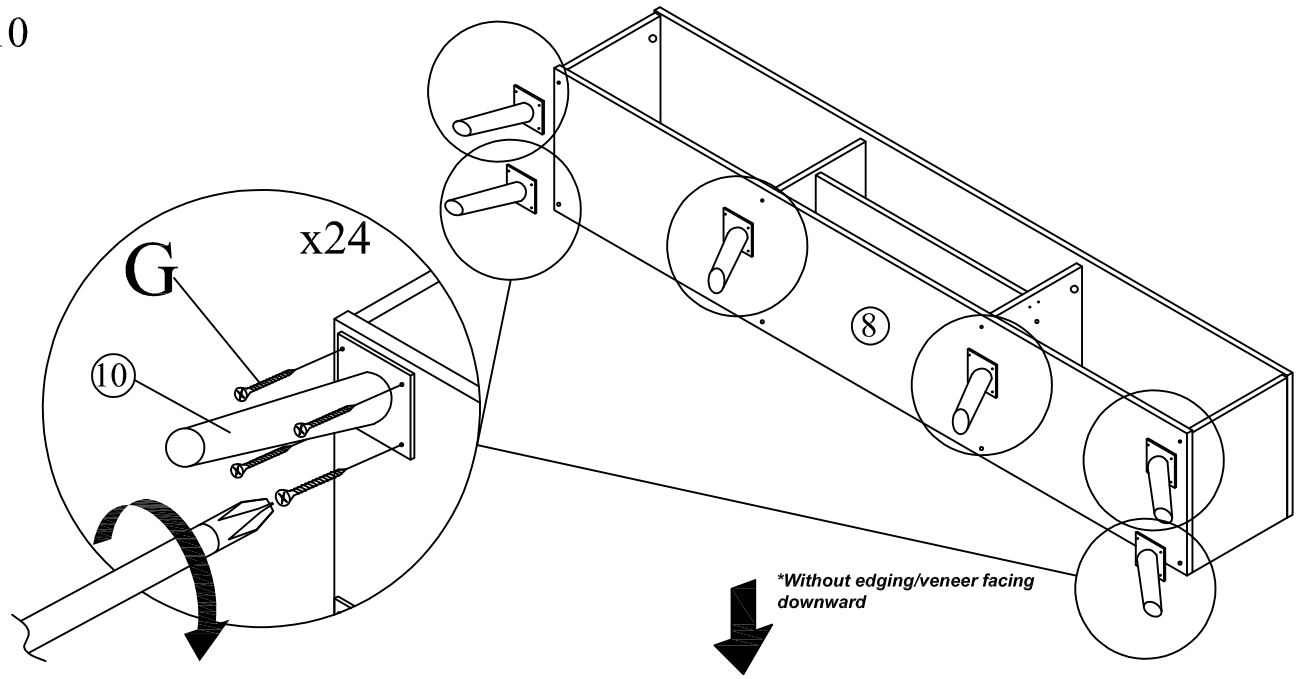
The head of the mini fix housing goes into the open mouth of the mini fix bolt. You then turn the mini fix housing so it tightens over the mini fix bolt.



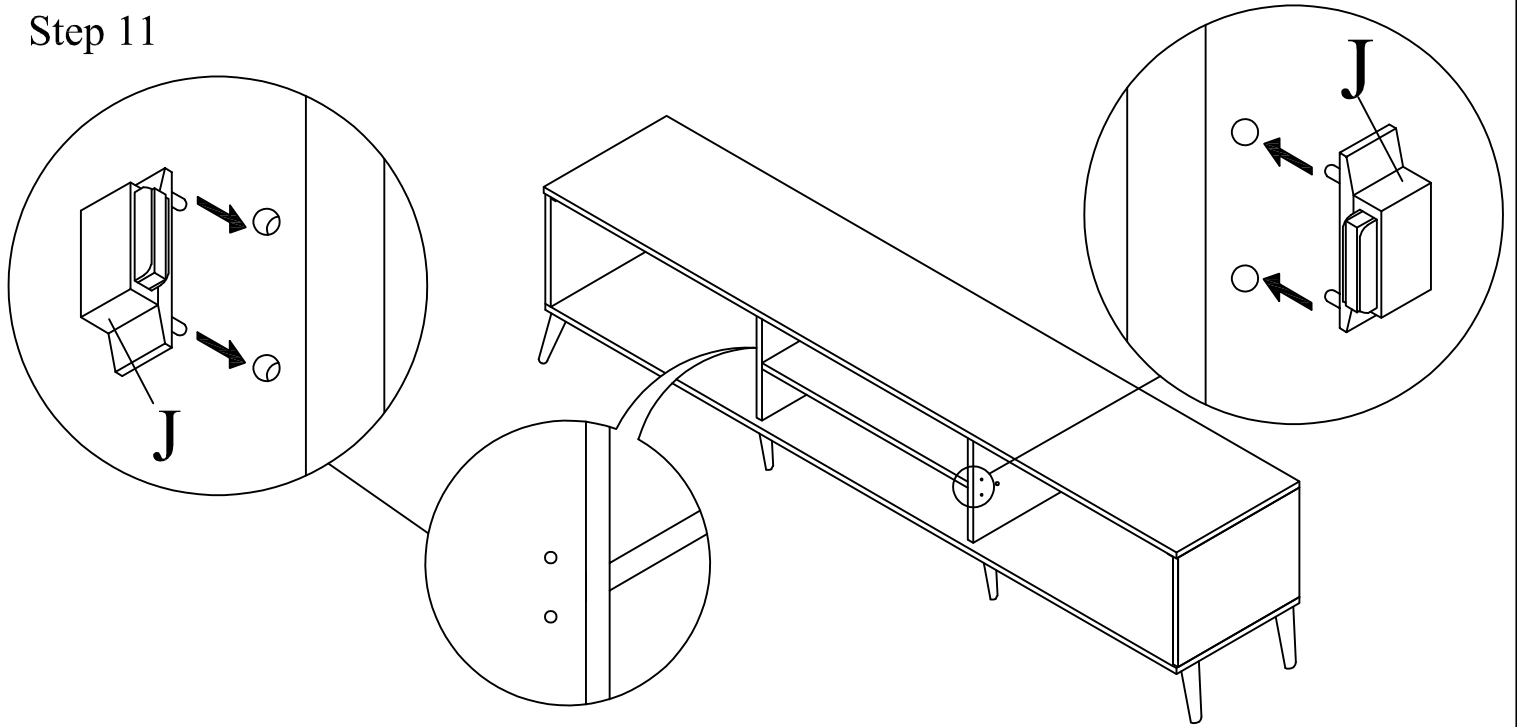
Step 9



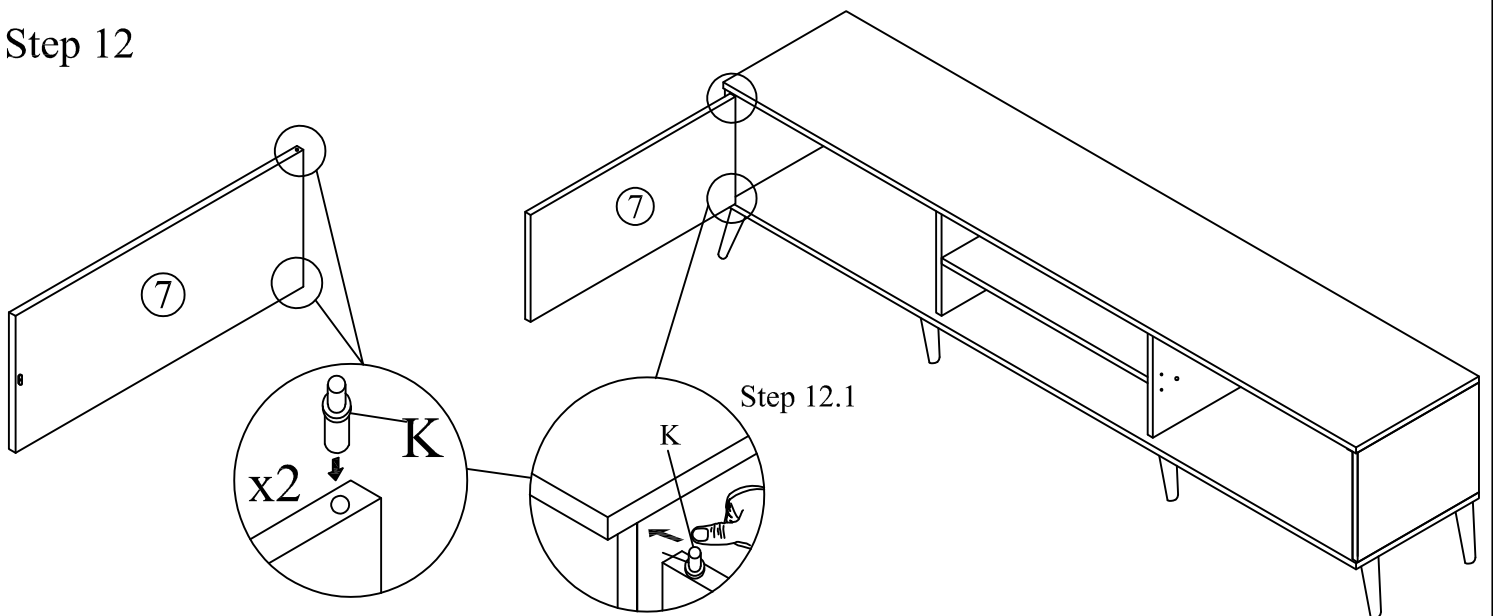
Step 10



Step 11



Step 12



Step 13

