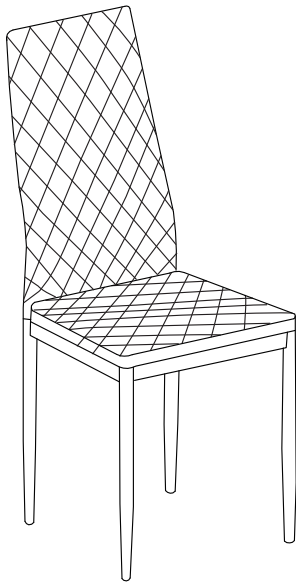
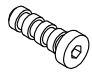
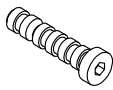
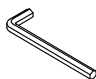

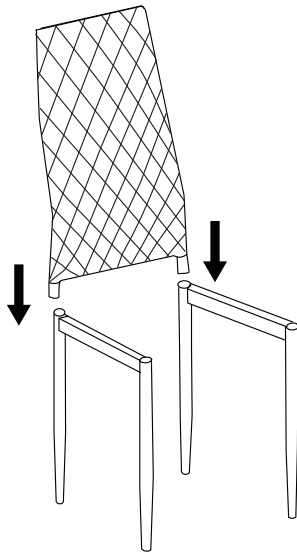


# ASSEMBLY INSTRUCTIONS

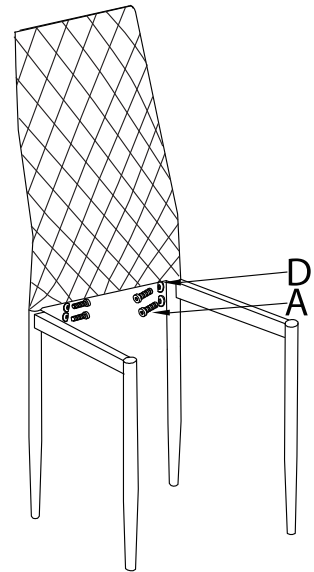


<b>A</b>		M6*13	<b>4</b>
<b>B</b>		M6*45	<b>6</b>
<b>C</b>			<b>1</b>
<b>D</b>			<b>4</b>

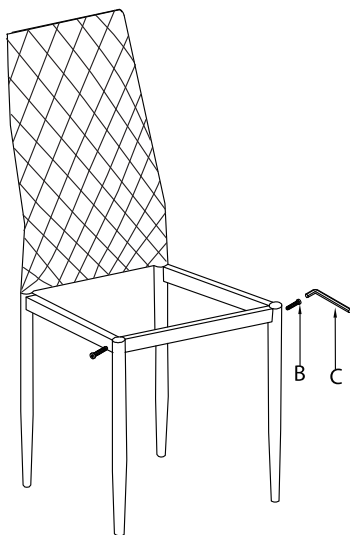
1



2



3



4

