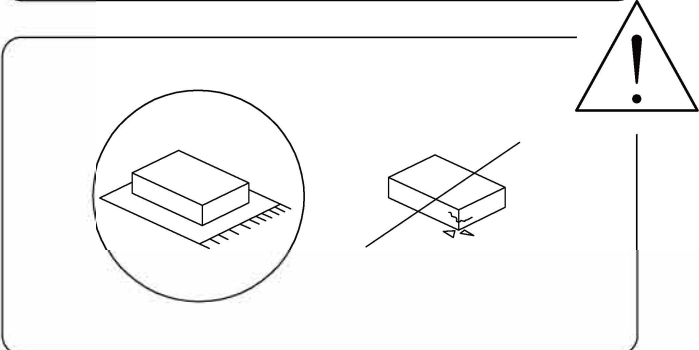
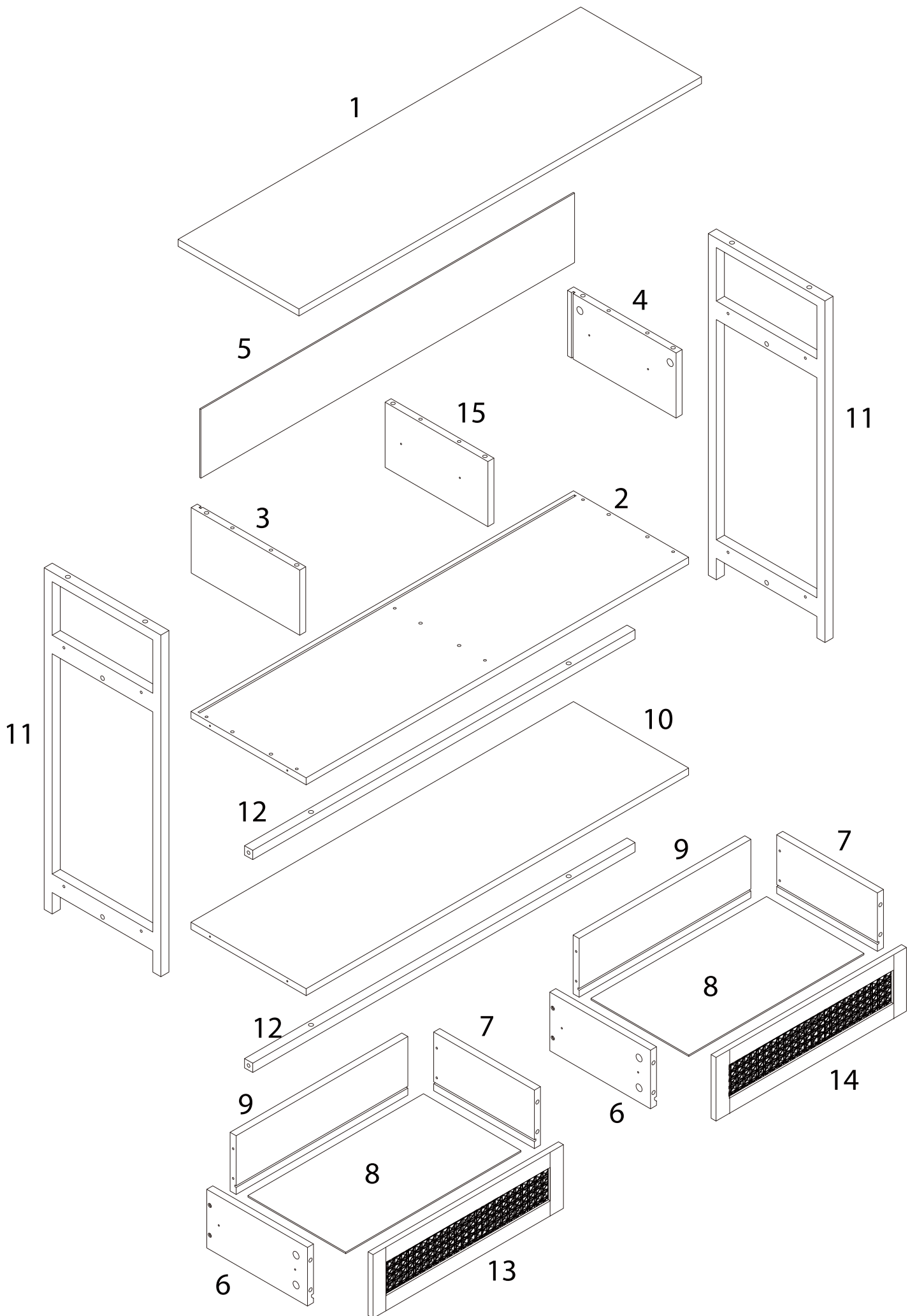


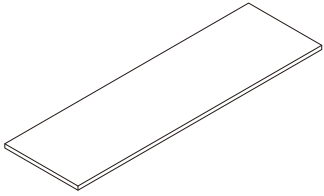
45'



2

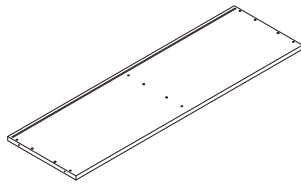


1



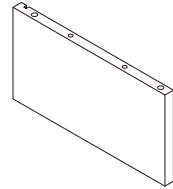
x 1

2



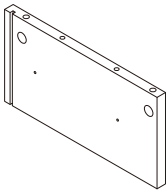
x 1

3



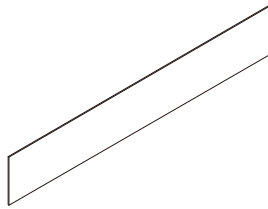
x 1

4



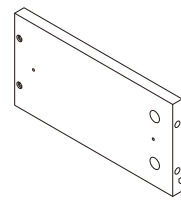
x 1

5



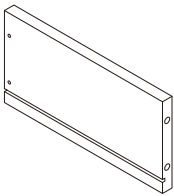
x 1

6



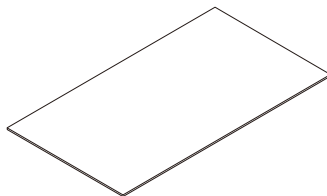
x 2

7



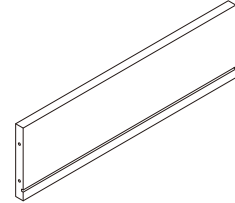
x 2

8



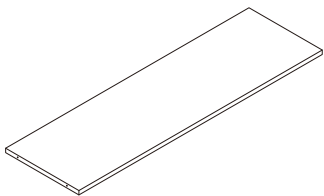
x 2

9



x 2

10



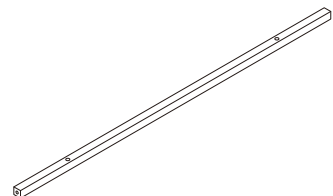
x 1

11



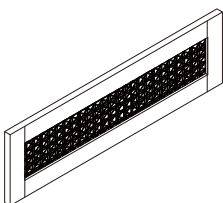
x 2

12



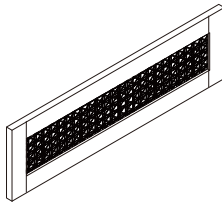
x 2

13



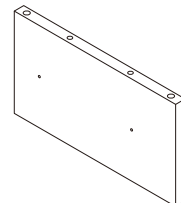
x 1

14



x 1

15



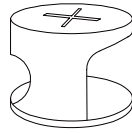
x 1

A



x 14

B



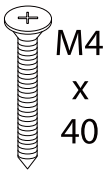
x 14

C



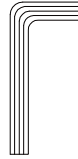
x 12

D



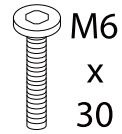
x 16

E



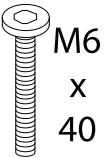
x 1

F



x 8

G



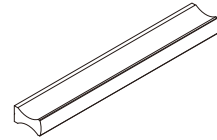
x 4

H



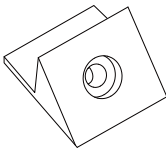
x 24

I



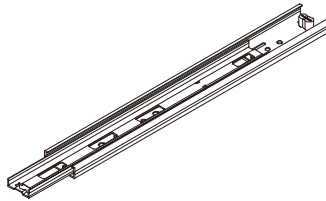
x 2

J



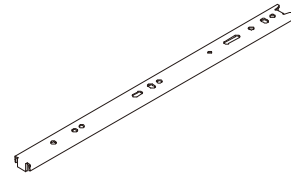
x 6

K1



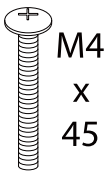
x 4

K2



x 4

L



x 8

M



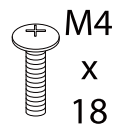
x 2

N



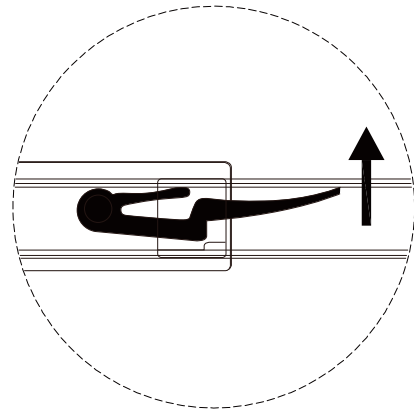
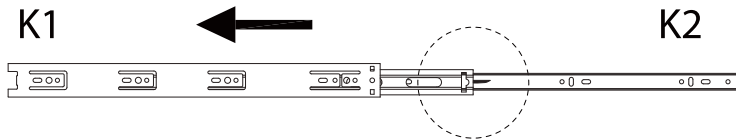
x 2

O

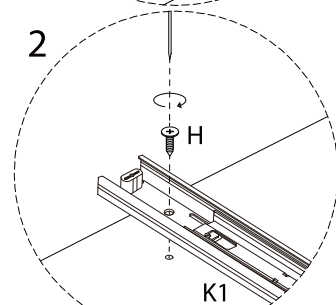
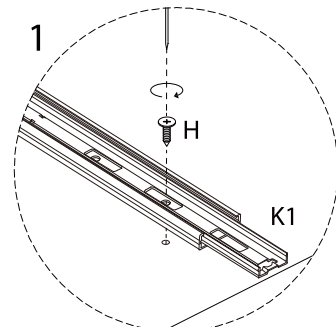
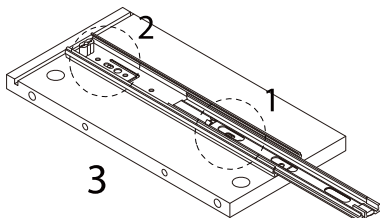
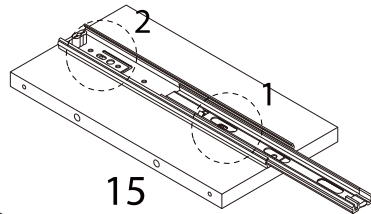
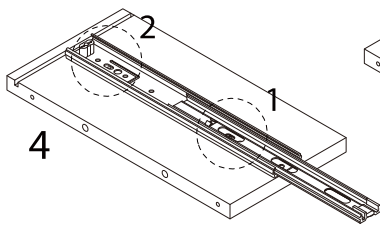
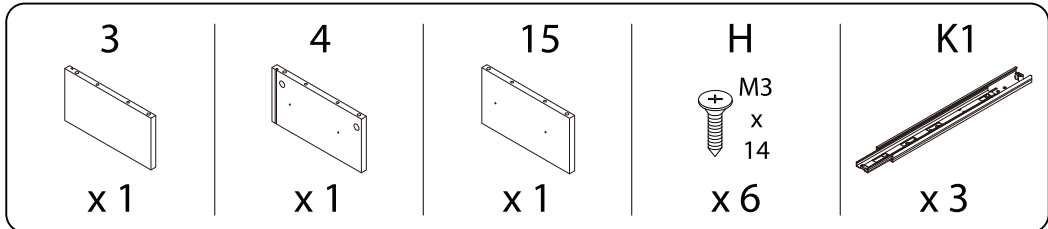


x 4

!



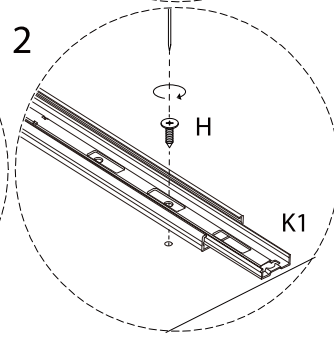
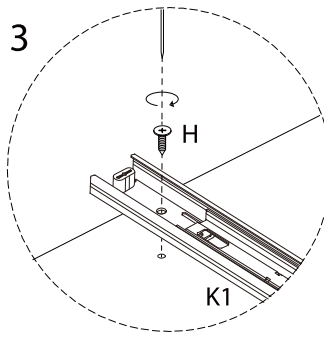
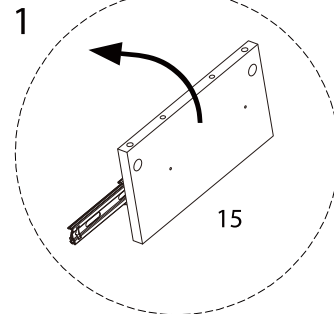
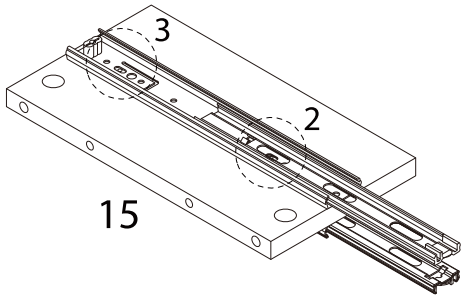
1



2

H
M3
x
14
x 2

K1
x 1

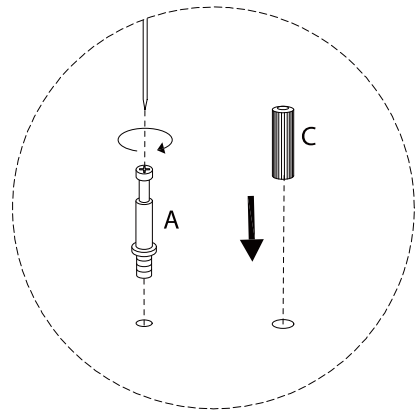
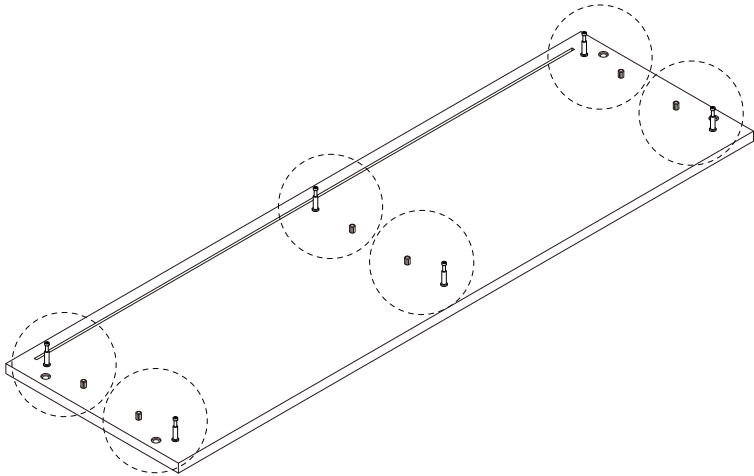


3

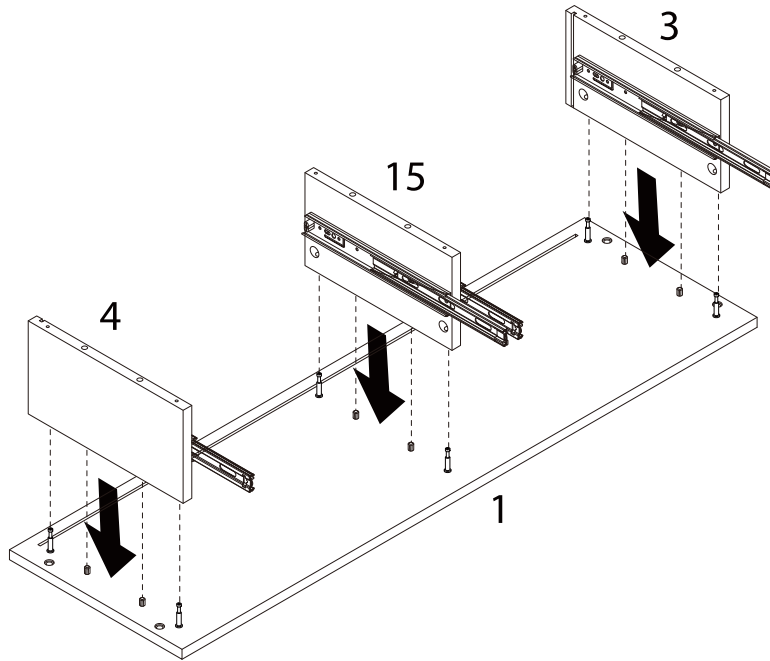
1
x 1

A
x 6

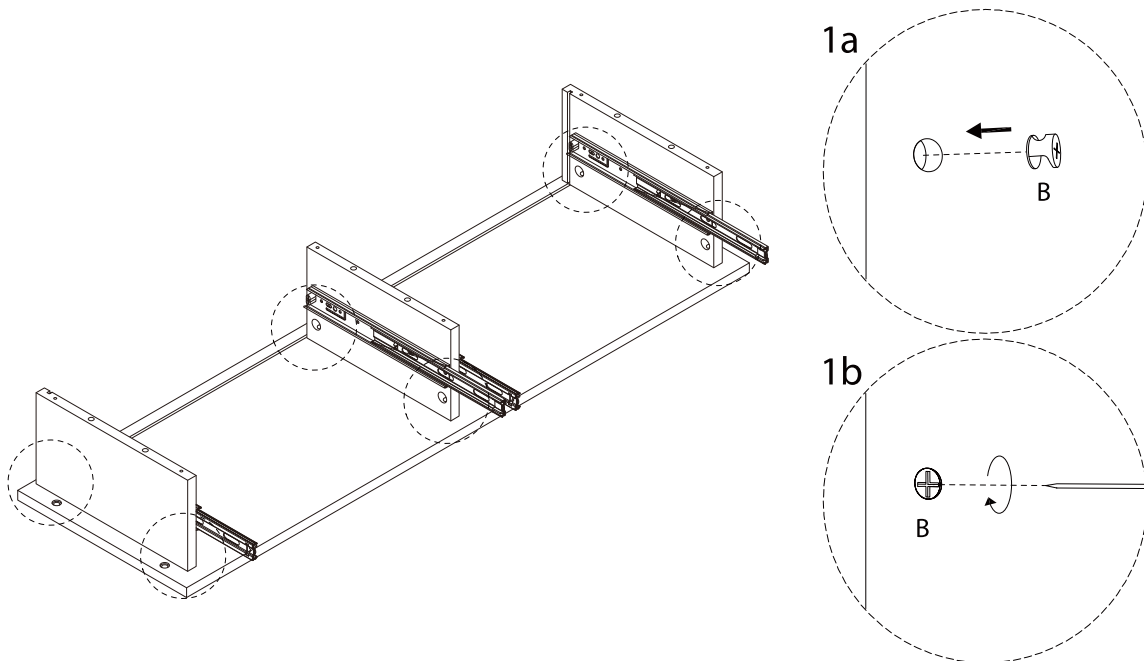
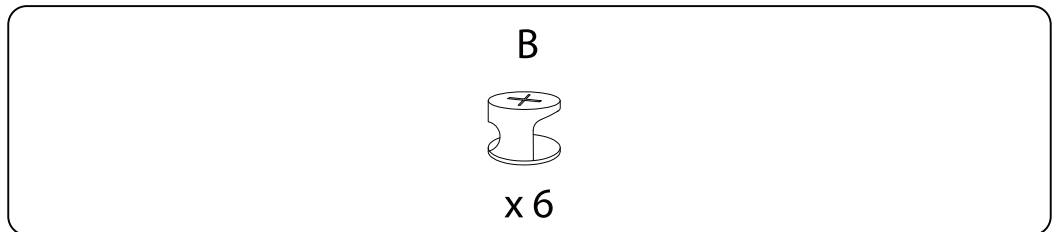
C
x 6



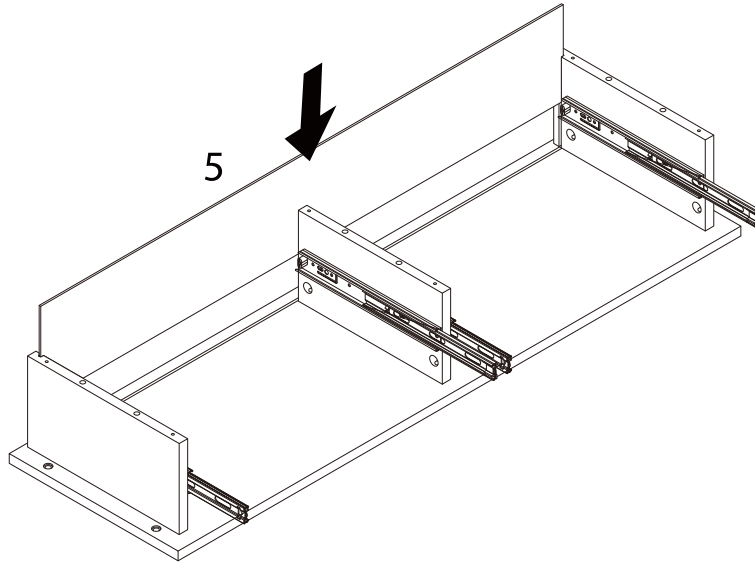
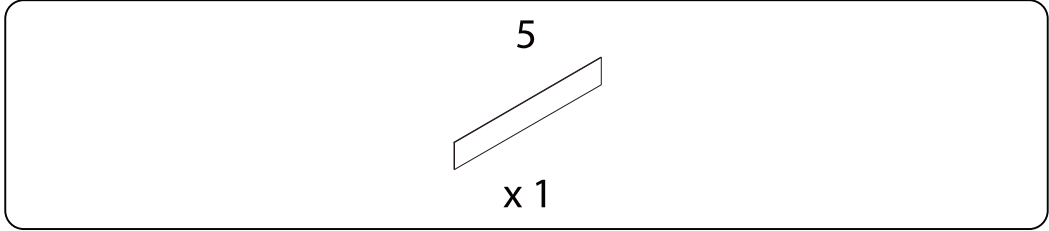
4



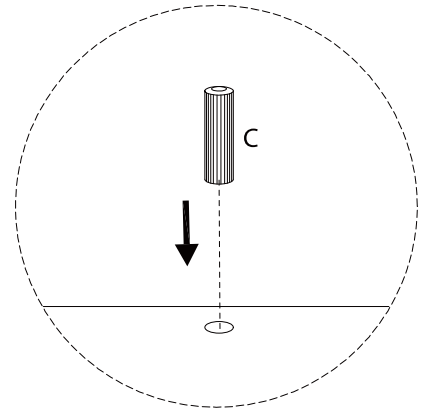
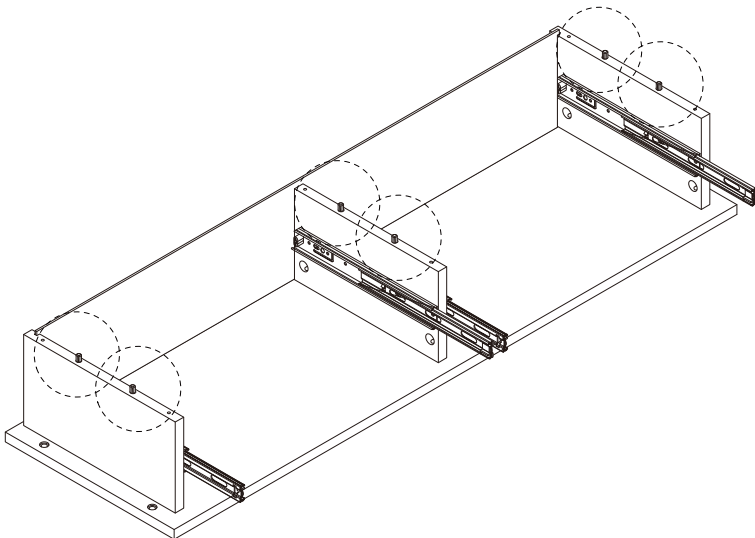
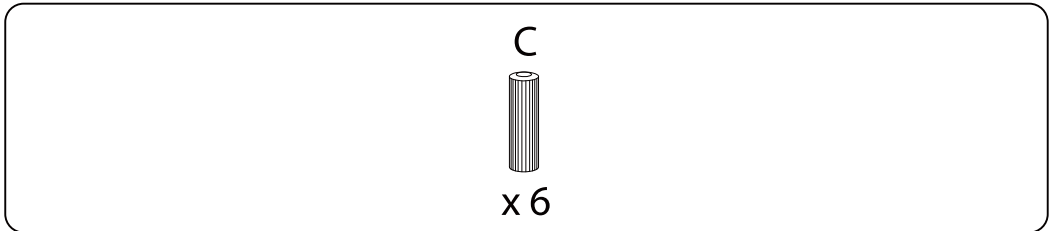
5



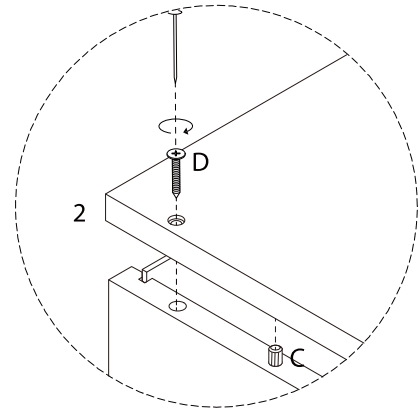
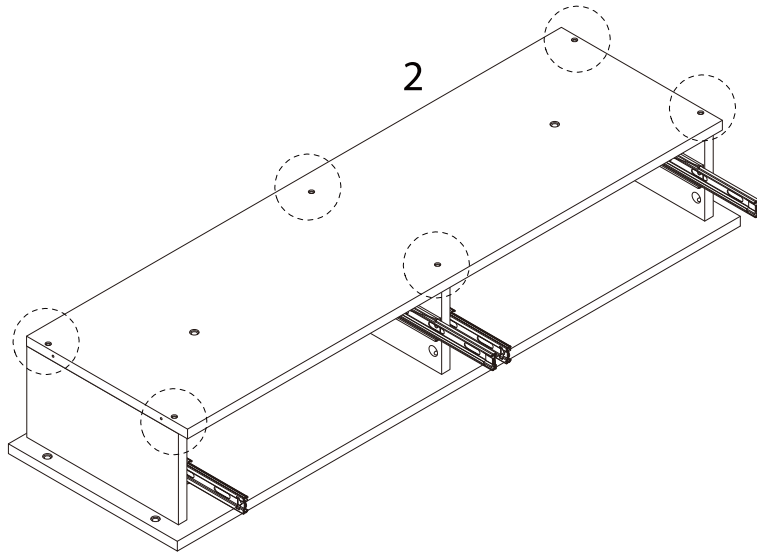
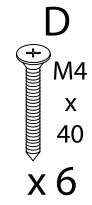
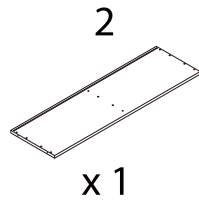
6



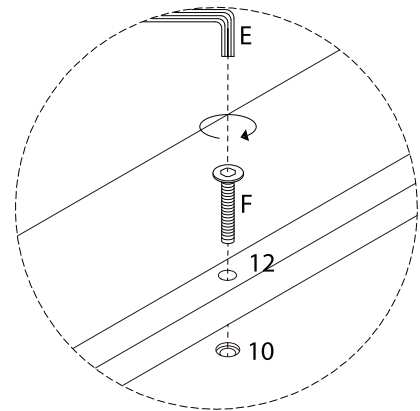
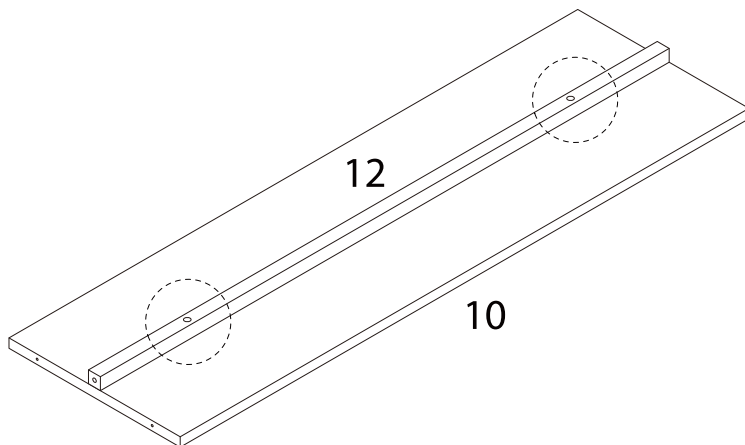
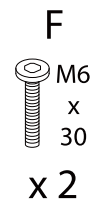
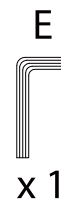
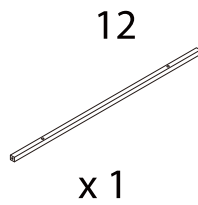
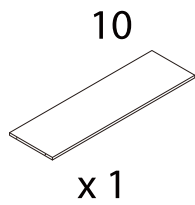
7



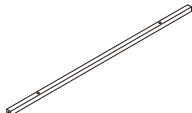
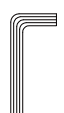
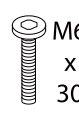
8

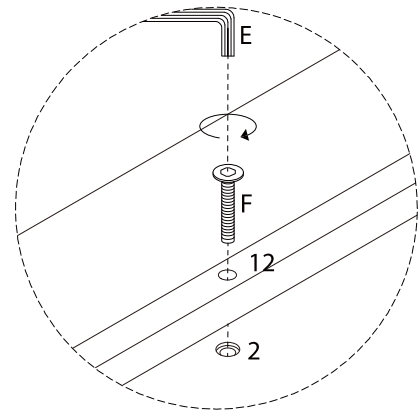
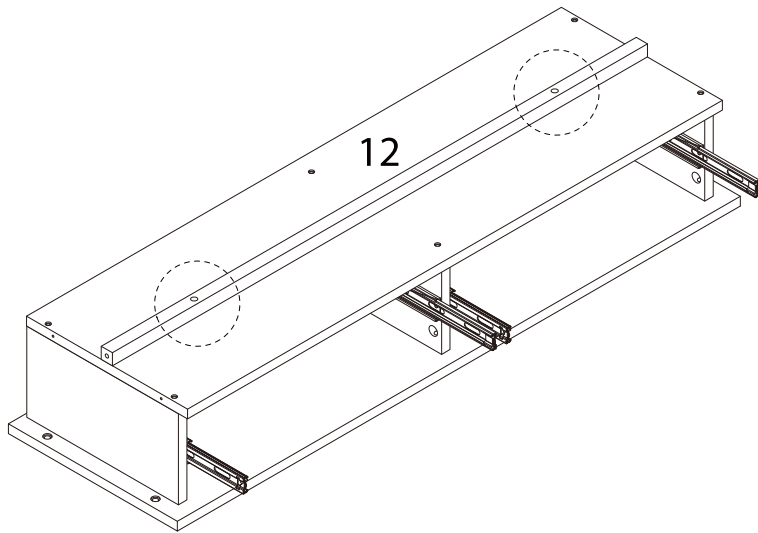


9

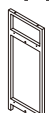
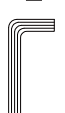
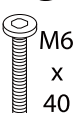
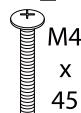


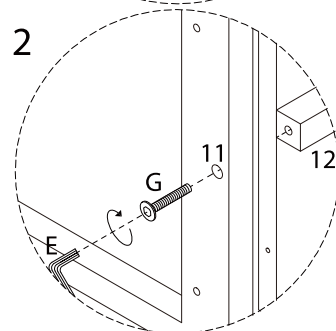
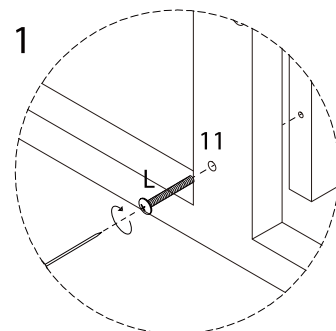
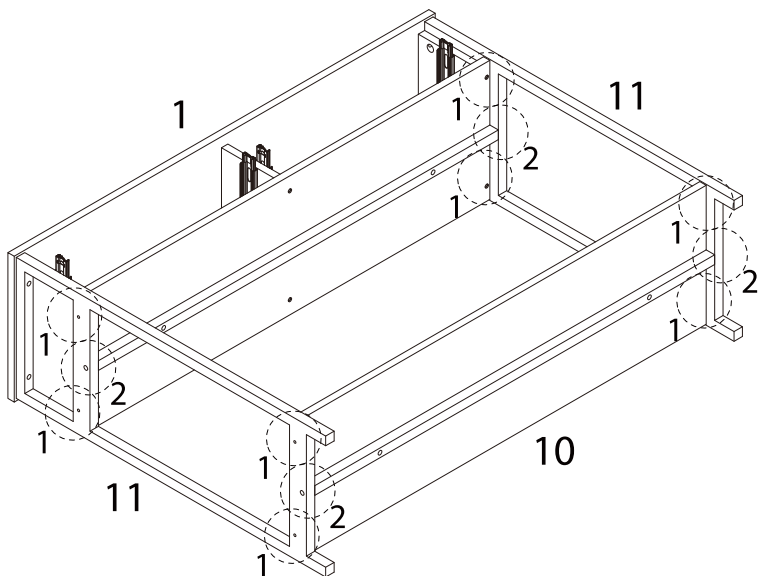
10

<p>12</p>  <p>x1</p>	<p>E</p>  <p>x1</p>	<p>F</p>  <p>M6 x 30</p> <p>x2</p>
---	--	---



11

<p>11</p>  <p>x2</p>	<p>E</p>  <p>x1</p>	<p>G</p>  <p>M6 x 40</p> <p>x4</p>	<p>L</p>  <p>M4 x 45</p> <p>x8</p>
---	--	--	---



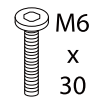
12

E

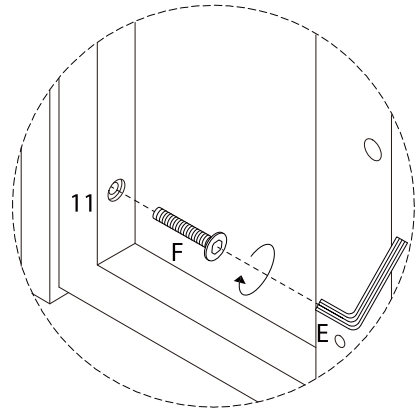
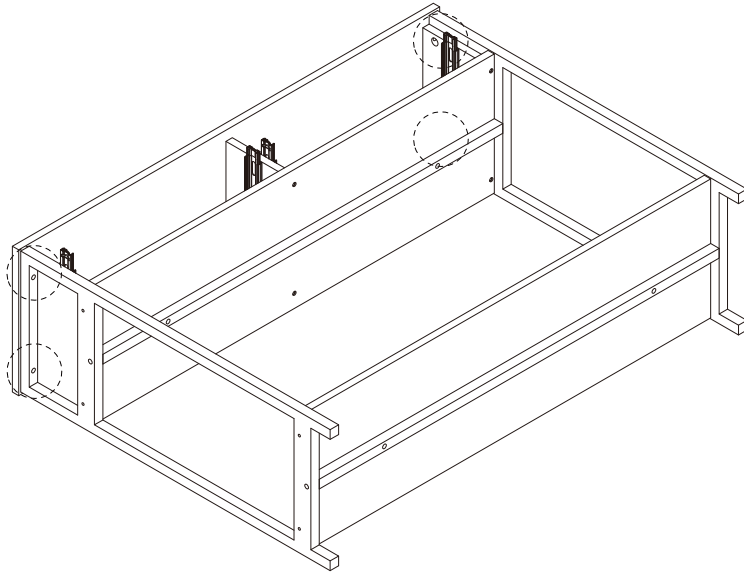


x 1

F

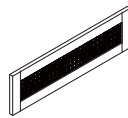


x 4



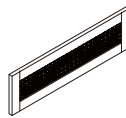
13

13



x 1

14

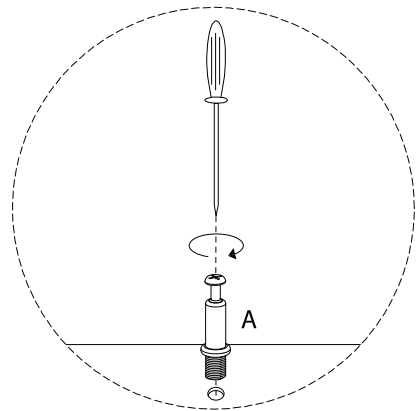
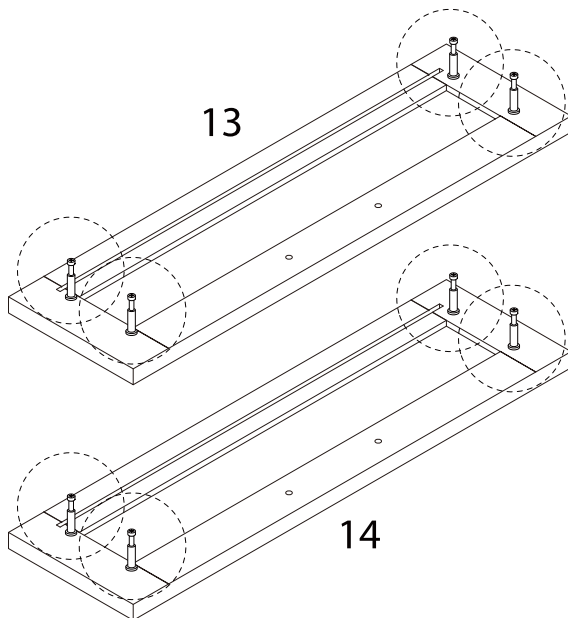


x 1

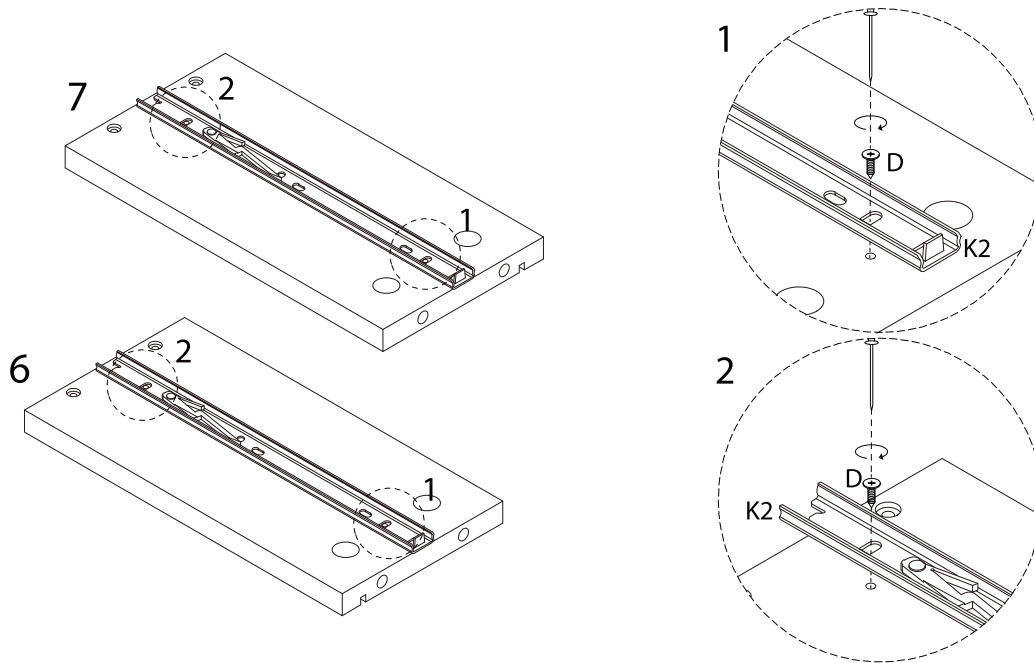
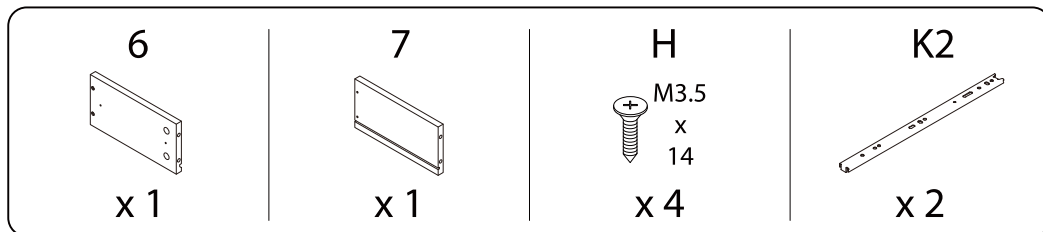
A



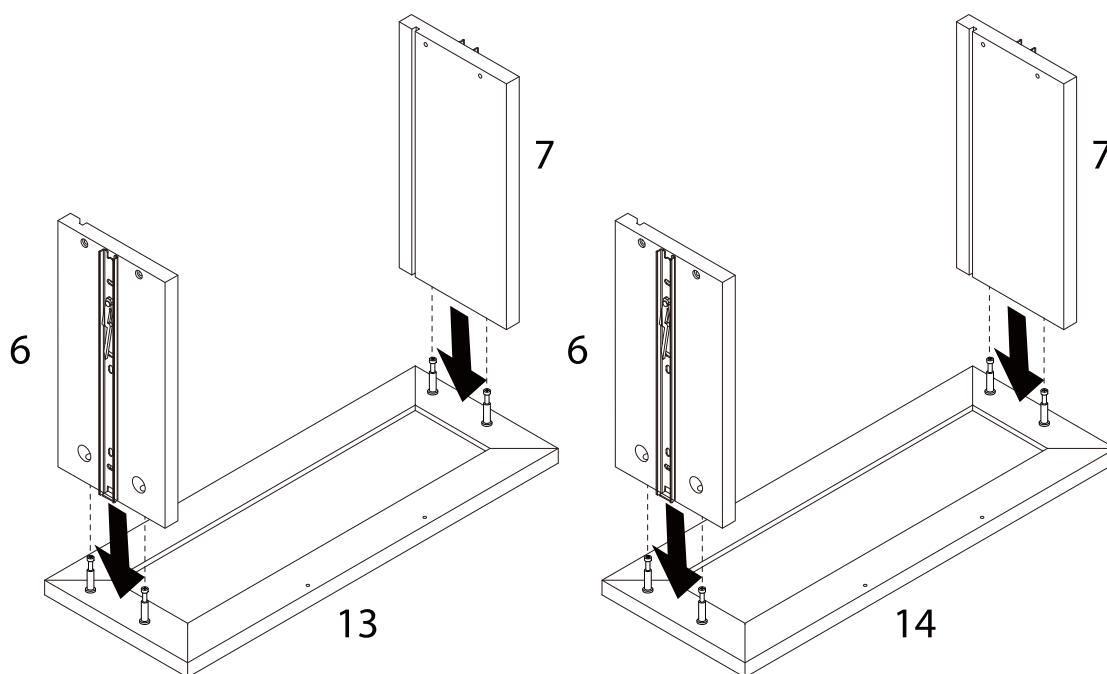
x 8



14 x 2



15

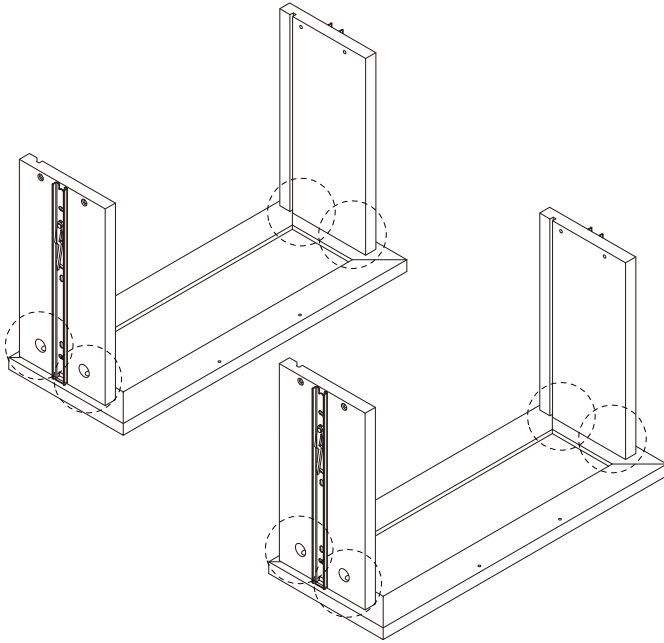


16

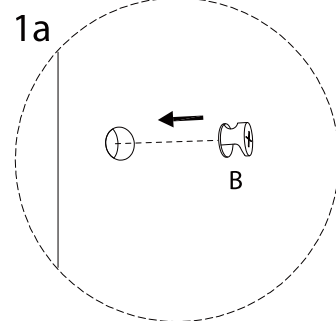
B



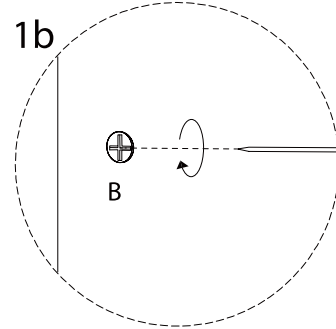
x 4



1a

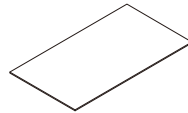


1b

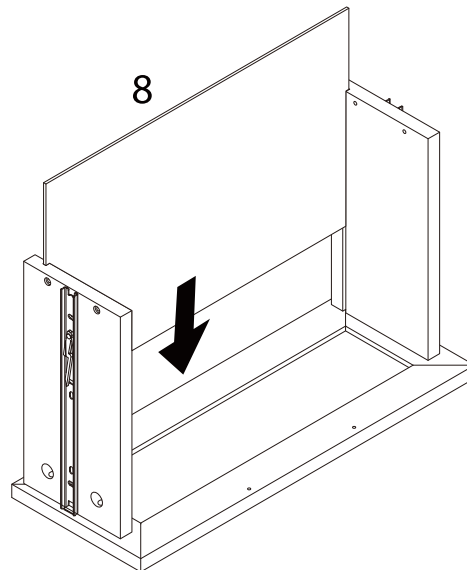
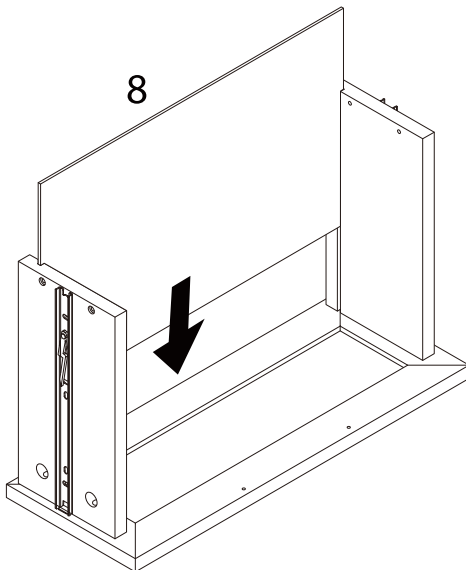


17

8

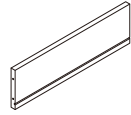


x 1



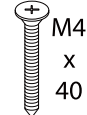
18

9

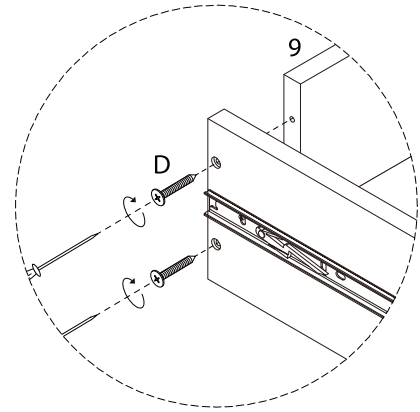
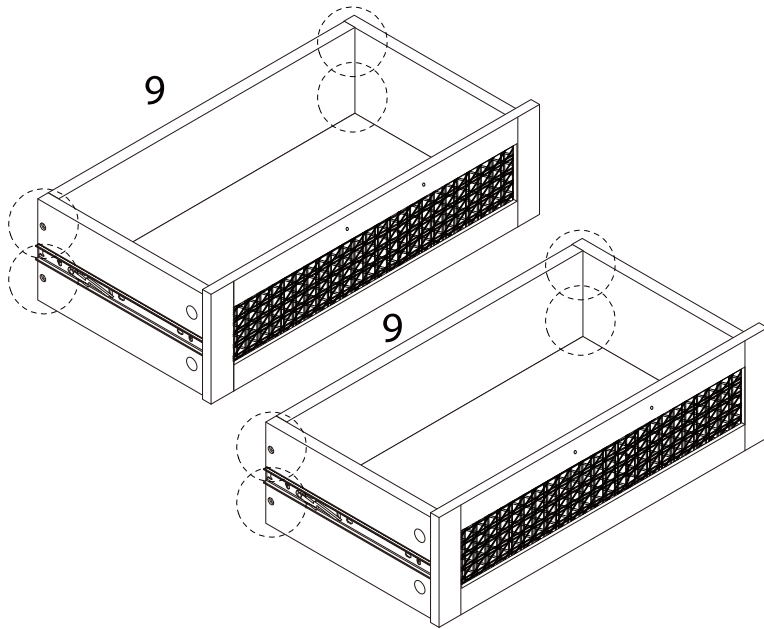


x 1

D



x 4



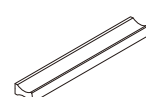
19

H

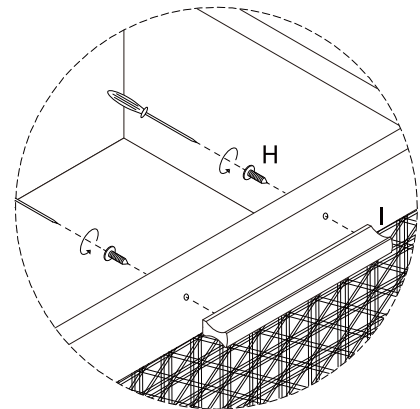
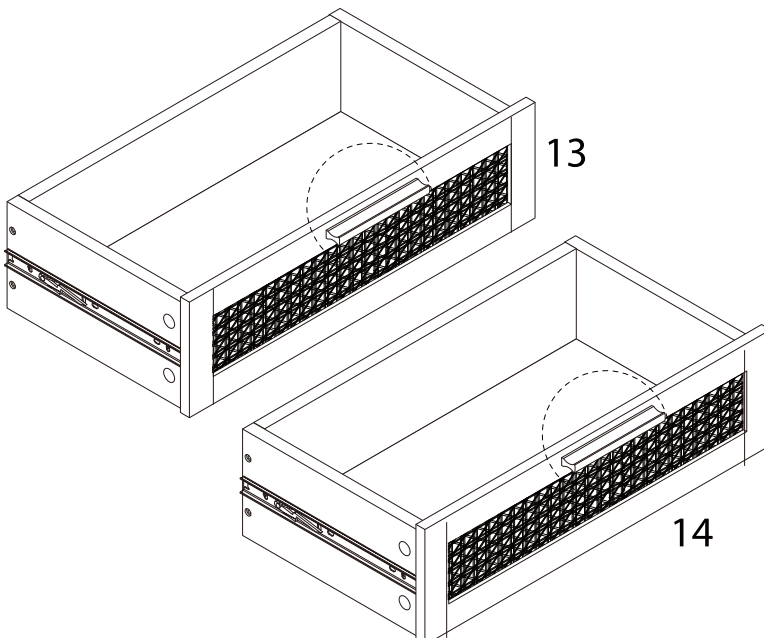


x 4

I



x 2



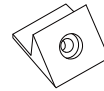
20

H

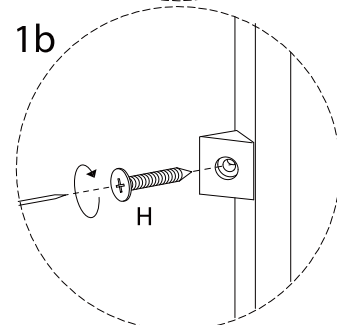
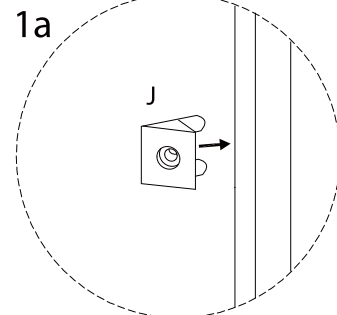
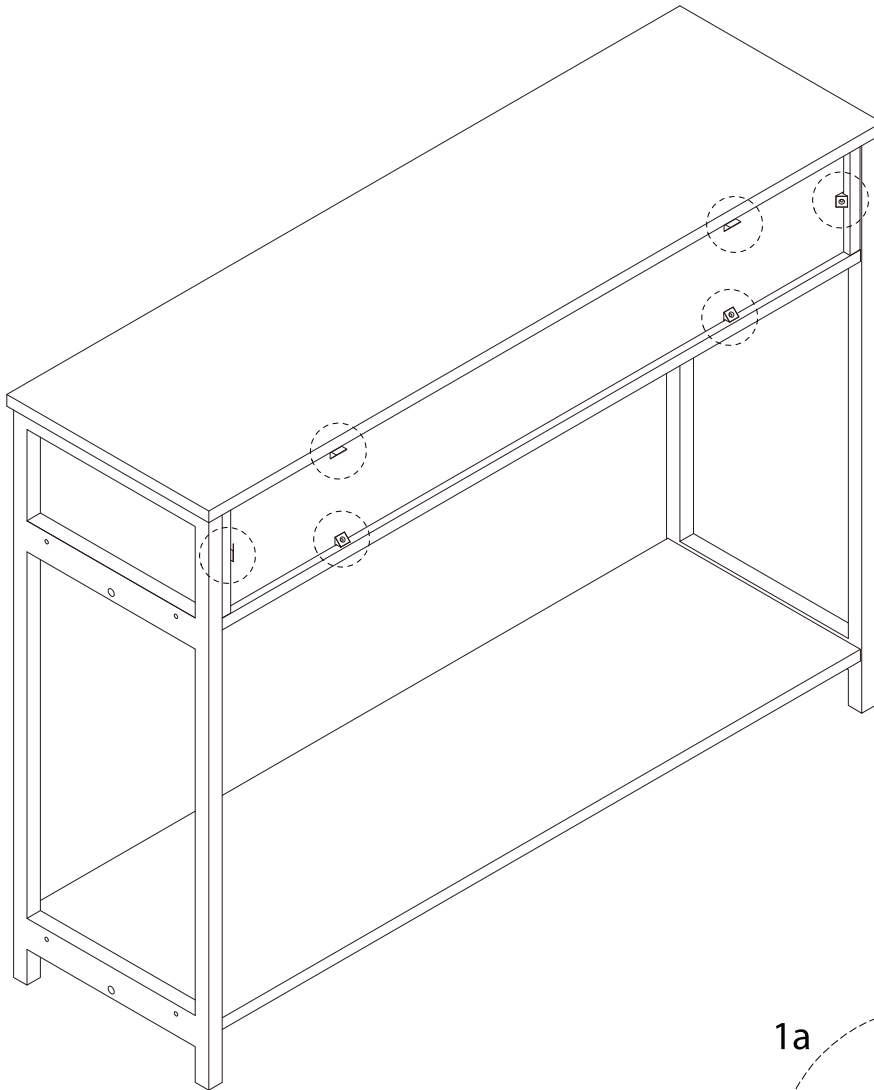


x 6

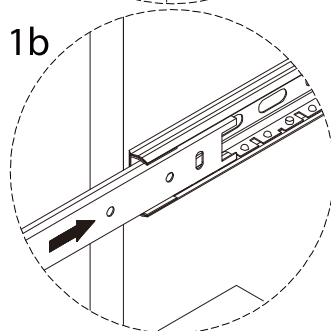
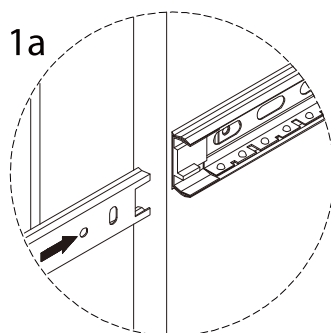
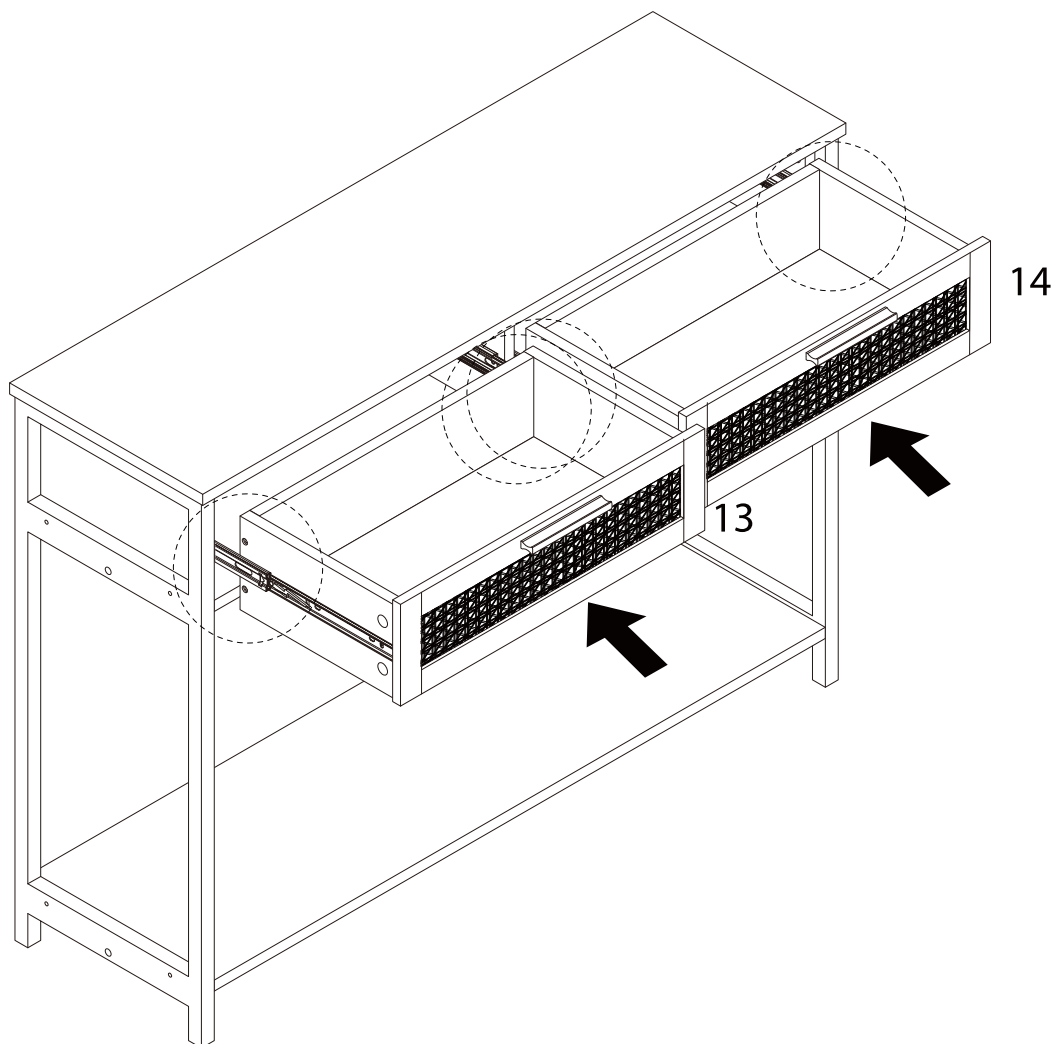
J



x 6



21



22

M

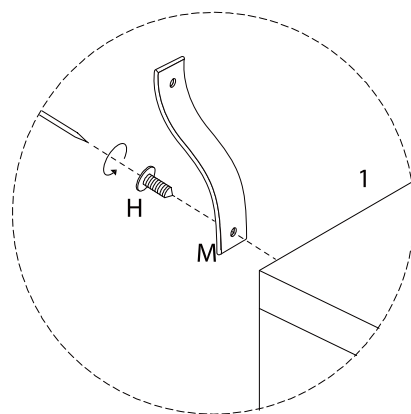
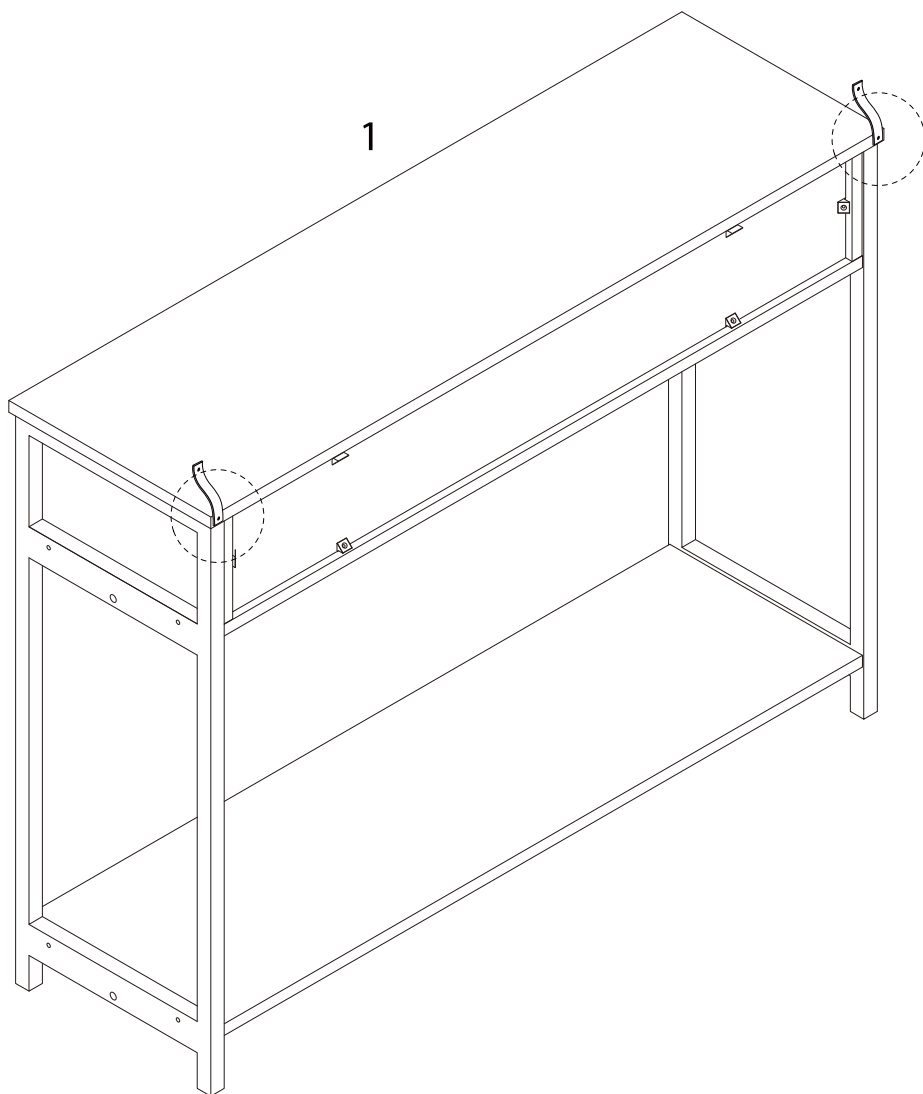


x 2

H



x 2



23

