

Focus

HG basin mixer electronics Focus chrome

Finishes : **chrome** Part no. : **31172000**



Description

Features

- Spray modes: Aerated spray
- Flow: 1.32 GPM (5 L/min)
- Pre-set temperature
- Infrared sensor
- Low battery indicator
- Battery operated (battery type 6V CR-P2, included) with low battery indicator
- Flushing time: 10 seconds
- frequency of hygiene rinse: 24 hours
- flushing time hygiene rinse: 10 seconds
- cleaning mode: temporary water stop feature for cleaning
- 3/8" connections

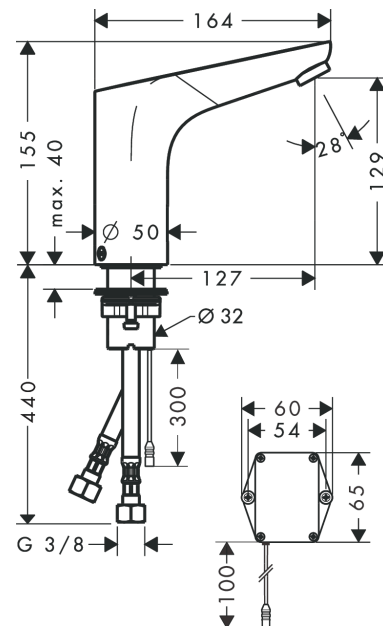
Technology



Product image



Scale drawing

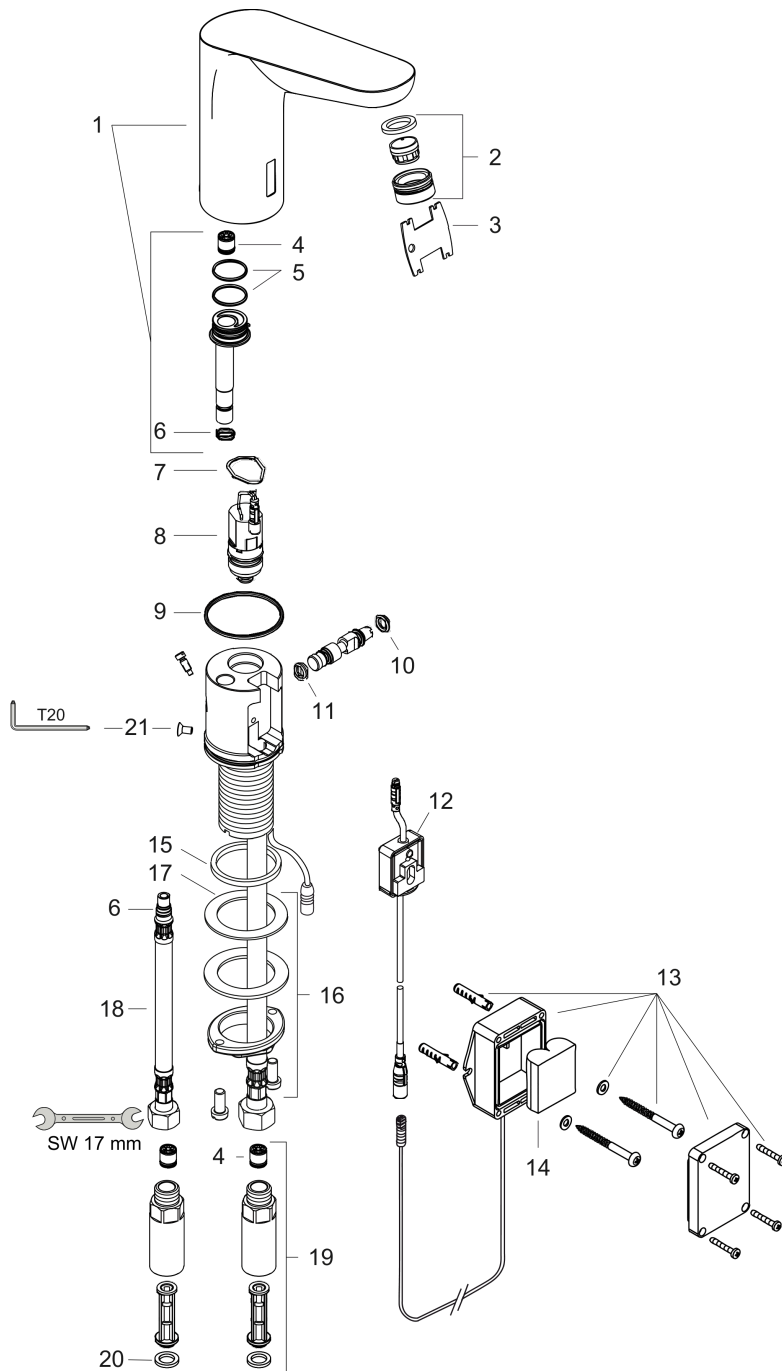


Focus
HG basin mixer electronics Focus chrome
 Finishes : **chrome** Part no. : **31172000**



Exploded drawing

Year of production: >02/16



Focus

HG basin mixer electronics Focus chrome

Finishes : **chrome** Part no. : **31172000**



Spare parts list

Year of production: >02/16

Pos.	Description	Part no.	Price	PU
1	mixer-hood	92310000	-	1
2	aerator M24x1 (5 l/min)	98802000	-	1
3	service tool	98808000	-	1
4	non return valve DW 10	96456000	-	1
5	O-ring 18x1,5	98231000	-	1
6	O-ring 7x1,5	98422000	-	1
7	O-ring 17x2	98199000	-	1
8	solenoid valve	95654000	-	1
9	O-ring 41x2	98212000	-	1
10	O-ring 6x2	98458000	-	1
11	O-ring 5x2	98215000	-	1
12	electronics	92346000	-	1
13	battery box	98801000	-	1
14	battery CR-P2 / 6V lithium	97399000	-	1
15	flat seal	98749000	-	1
16	fixing set (Ø 32)	13961000	-	1
17	lever collar	97548000	-	1
18	connection hose 450 mm	92345000	-	1
19	back flow preventor cartridge with microfilter	92297000	-	1
20	sealing set	95581000	-	1
21	screw	93272000	-	1
a	fixation extension 35 mm	13898000	-	1