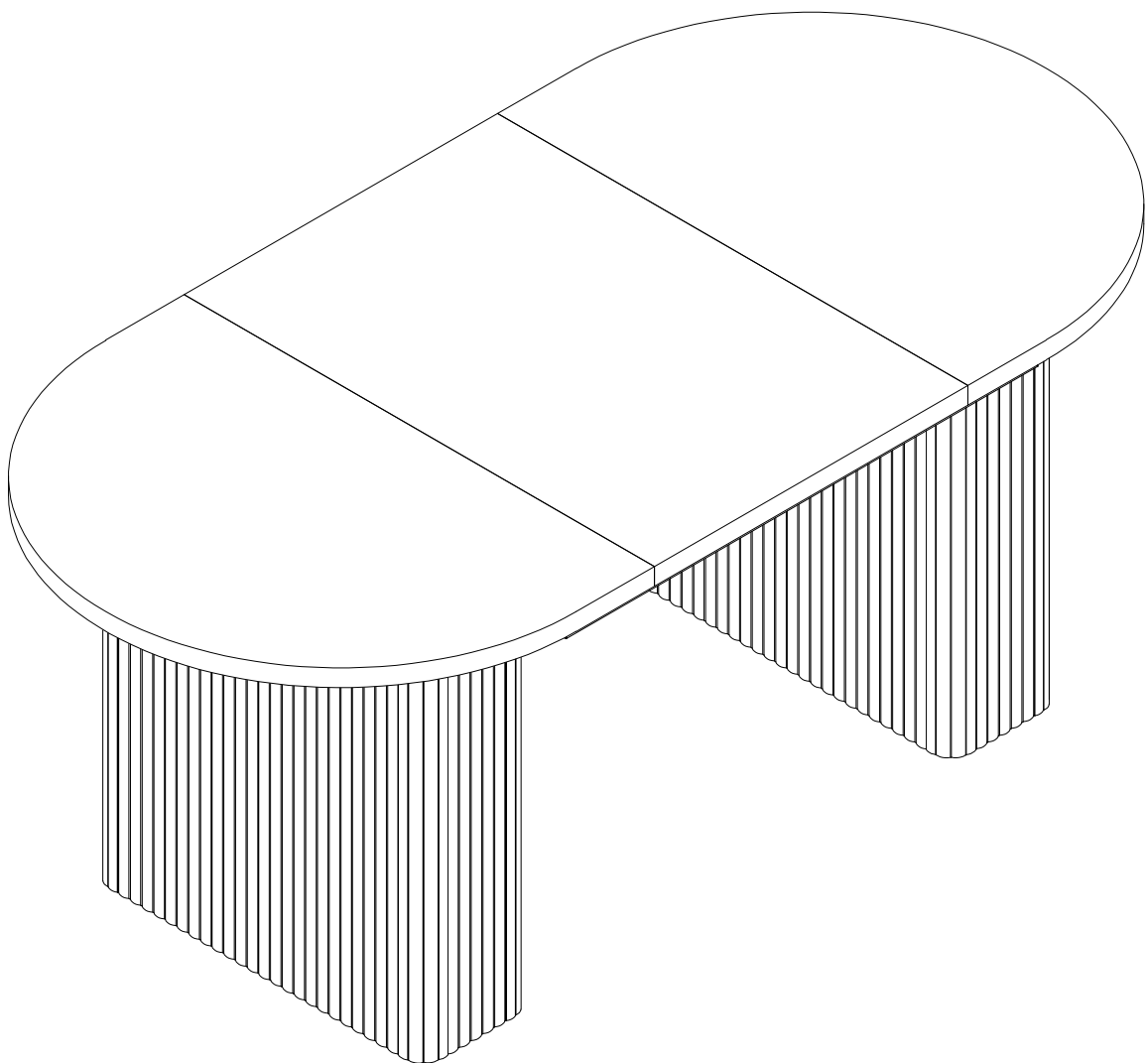


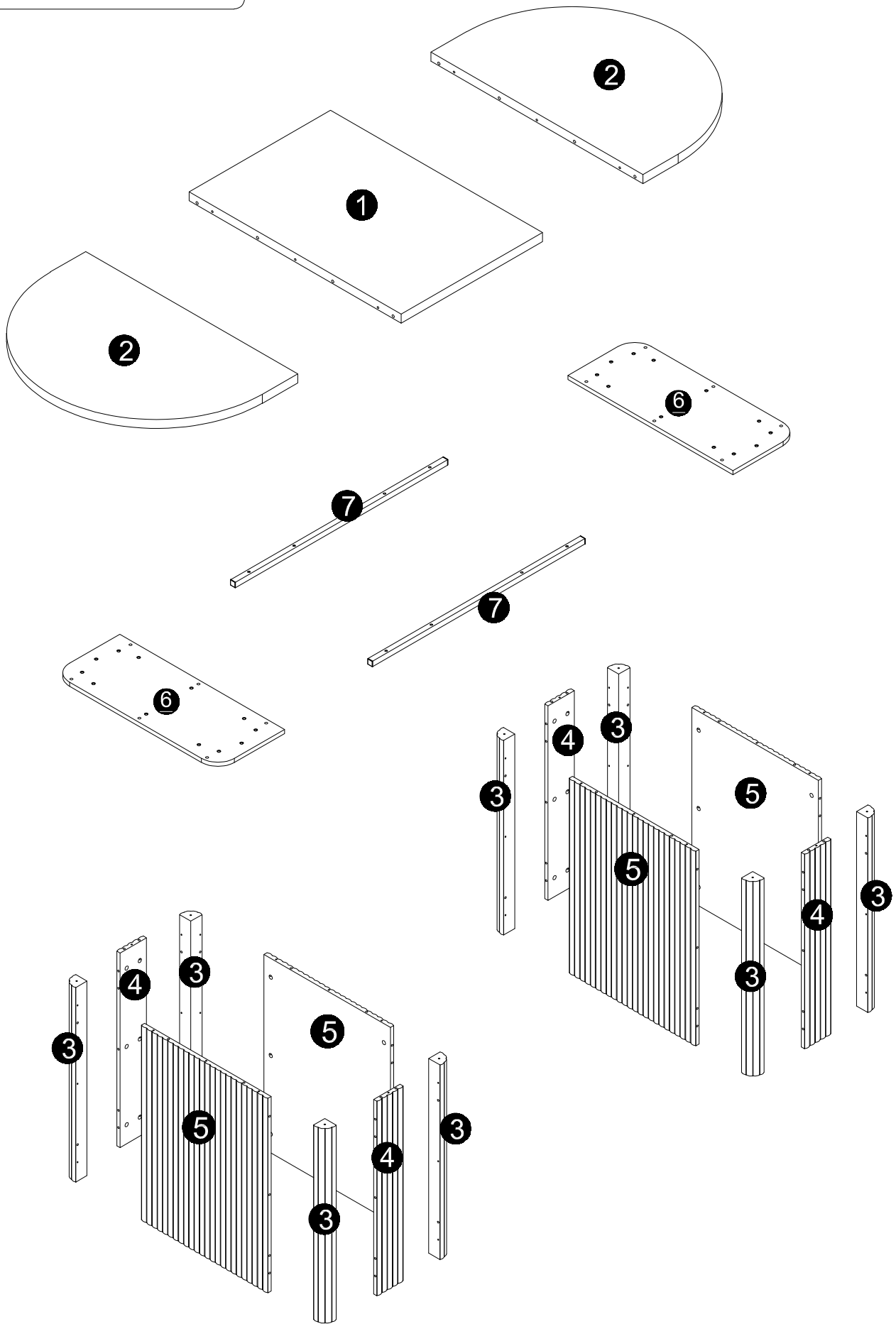
# ASSEMBLY INSTRUCTIONS



## SAFETY TIPS:

Static charge may cause dust on foam - clean with a dry or damp cloth.  
Small foam strands may be present - handle gently and dispose of properly.  
Do not burn or incinerate. Check local recycling guidelines.

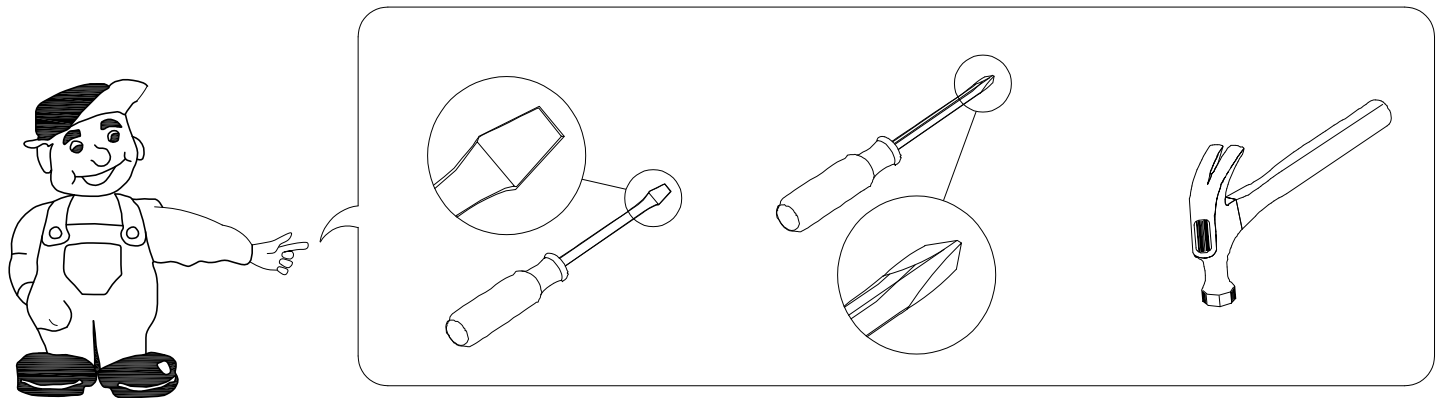
# Explosion Diagram



Important reminder:

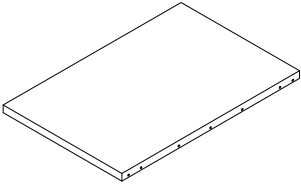
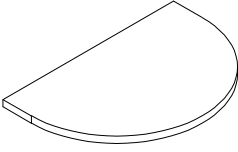
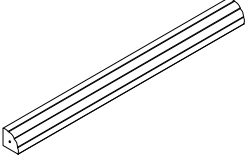
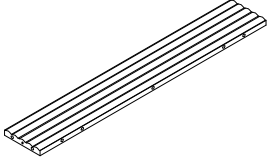
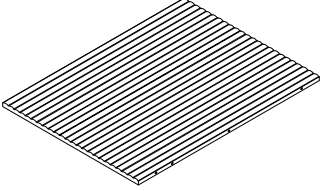
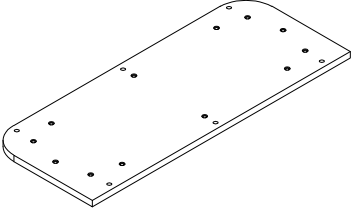
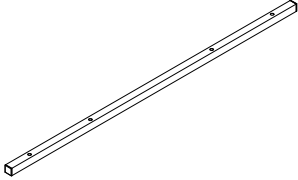
- ⚠ Please sort and check all accessories before assembly.
- ⚠ Please place the product on empty cardboard box or carpet to avoid scratches on it,
- ⚠ Please use proper tools for assembly. Using an electric screwdriver can accelerate the assembly speed, but please do not overtighten the screws.
- ⚠ Please follow the assembly steps and do not skip any of them
- ⚠ If possible, please find a partner to help you with assembly, which can accelerate assembly.
- ⚠ Keep all small parts of this product away from children. They may cause serious injury.
- ⚠ We hope you can retighten the screws 2 weeks after assembly, and check the tightening procedure of the screws every 3 months.

If you meet any difficulty, our friendly customer team are always ready to help you.

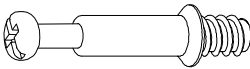

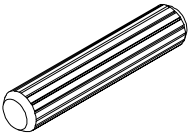
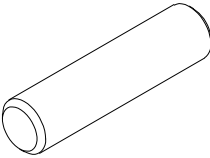
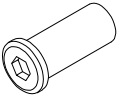
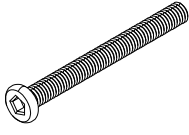
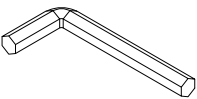
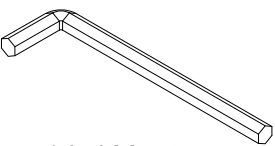
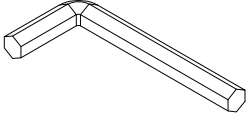
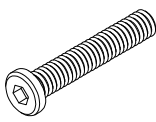
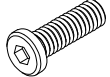
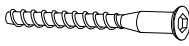



**Warning:**Overturning the product can cause serious crushing injuries. We have a wall connection device attached, please use it to hold the furniture following assembly instructions. Do not change the structure of this product in way. Our products have been tested and meet any all sales specific security measures. We won't be responsible for any modifications, which may cause significant security risks.

# LIST

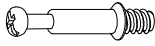
Item no.	Reference Image	Qty.	Item no.	Reference Image	Qty.
<b>1</b>		<b>×1</b>	<b>2</b>		<b>×2</b>
<b>3</b>		<b>×8</b>	<b>4</b>		<b>×4</b>
<b>5</b>		<b>×4</b>	<b>6</b>		<b>×2</b>
<b>7</b>		<b>×2</b>			

# HARDWARE LIST


Item no.	Reference Image	Qty.	Item no.	Reference Image	Qty.
<b>A</b>	 ϕ6x35mm	× 48 +2pcs	<b>B</b>	 ϕ15x11mm	× 48 +2pcs
<b>C</b>	 ϕ8x30mm	× 48 +2pcs	<b>D</b>	 ϕ10x40mm	× 8 +2pcs
<b>E</b>	 ϕ6x20mm	× 6	<b>F</b>	 ϕ6x70mm	× 6
<b>G</b>	 ϕ4mm	× 1	<b>H</b>	 ϕ4x100mmL	× 1
<b>I</b>	 ϕ5mm	× 1	<b>L</b>	 ϕ8x45mm	× 8 +2pcs
<b>K</b>	 ϕ8x25mm	× 12 +2pcs	<b>M</b>	 ϕ6.7x60mm	× 24 +2pcs

 **Tips:** The number after "+" represents the spare hardware.

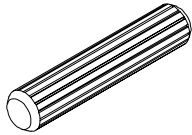
# 1



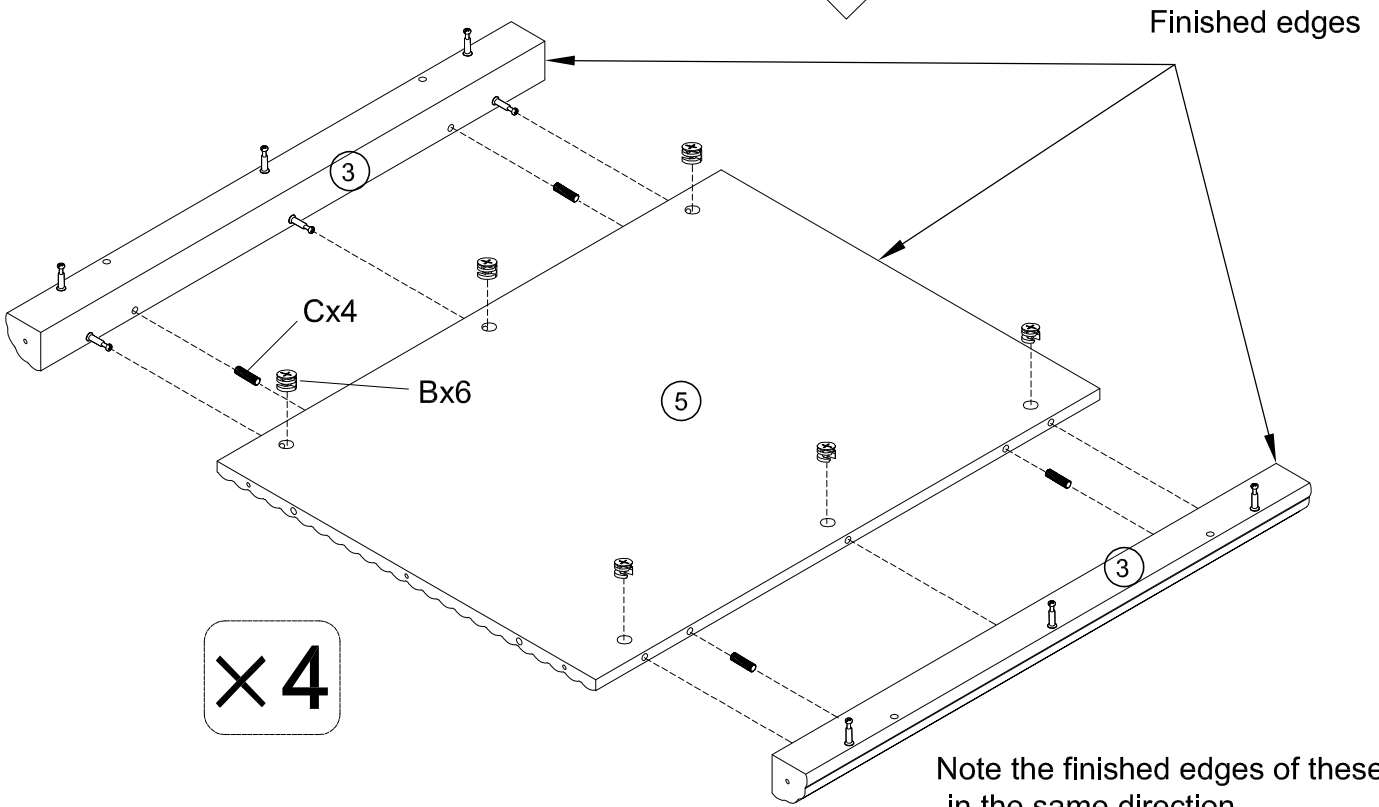
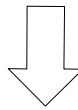
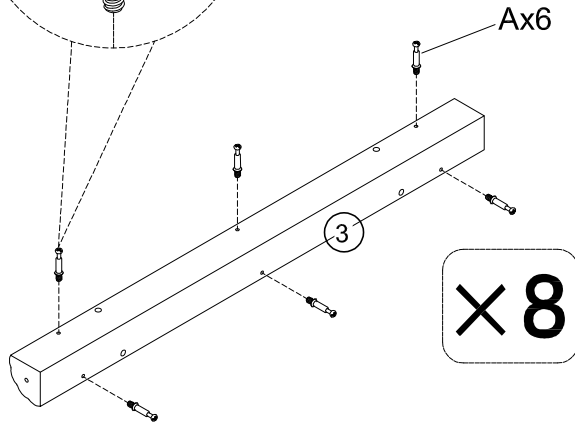
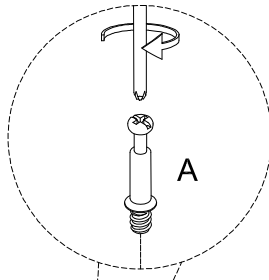
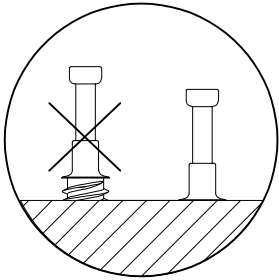
**Ax48**



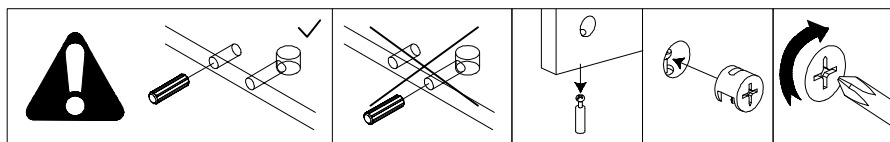
**Bx24**



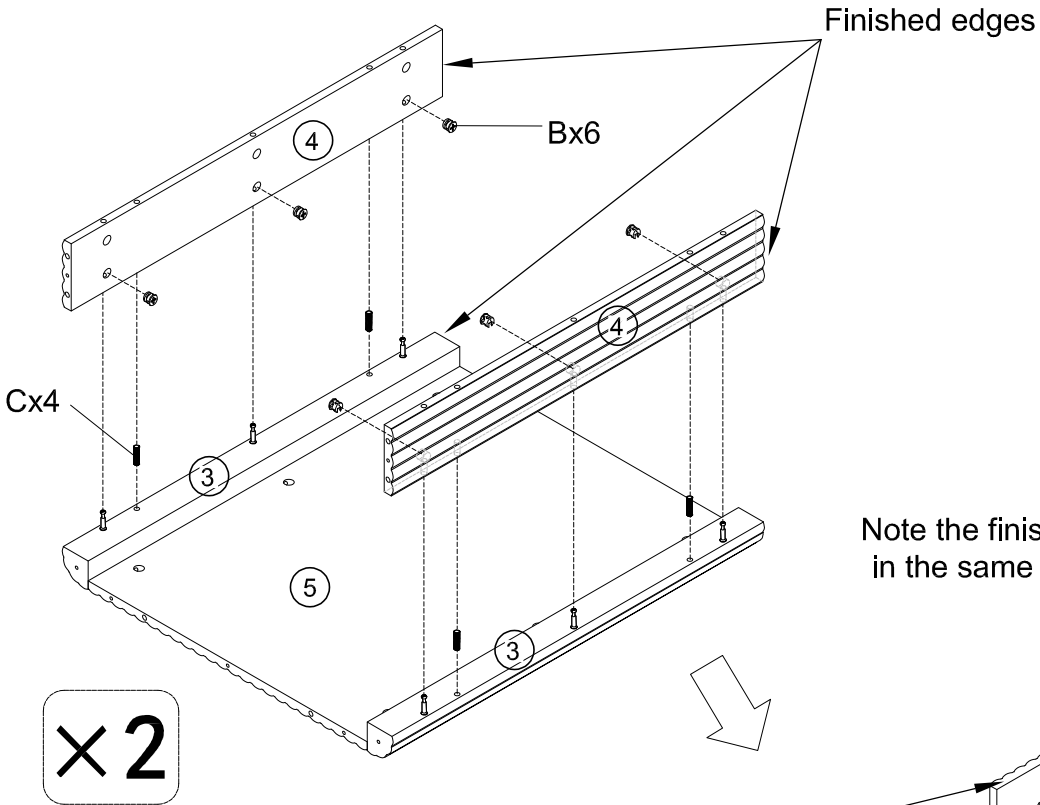
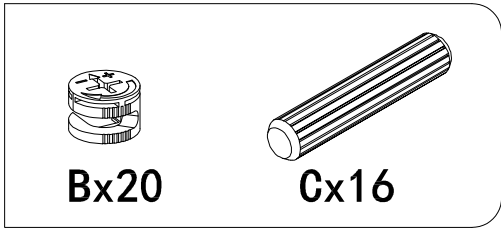
**Cx16**



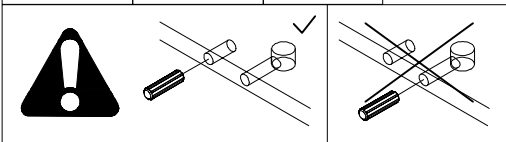
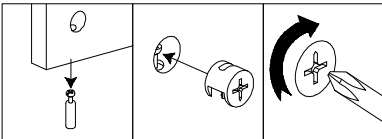
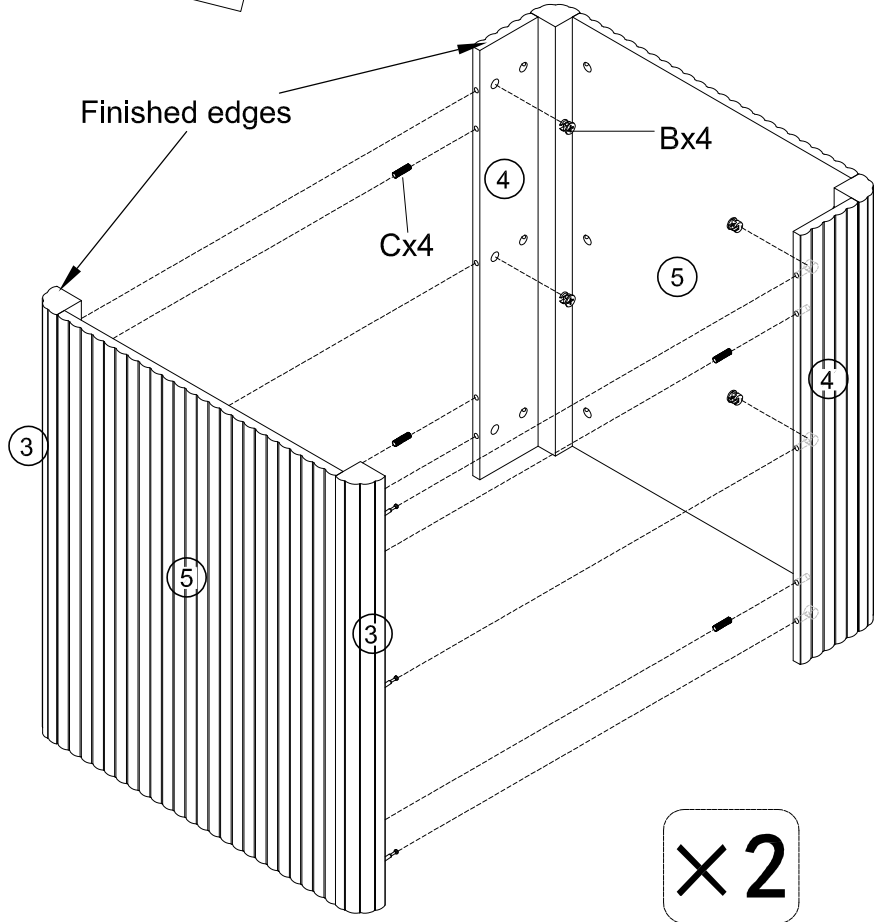
Note the finished edges of these boards in the same direction.



# 2



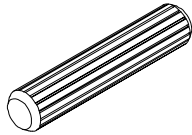
Note the finished edges of these boards in the same direction.



# 3



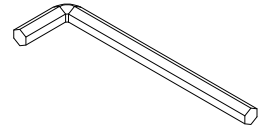
Bx4



Cx16

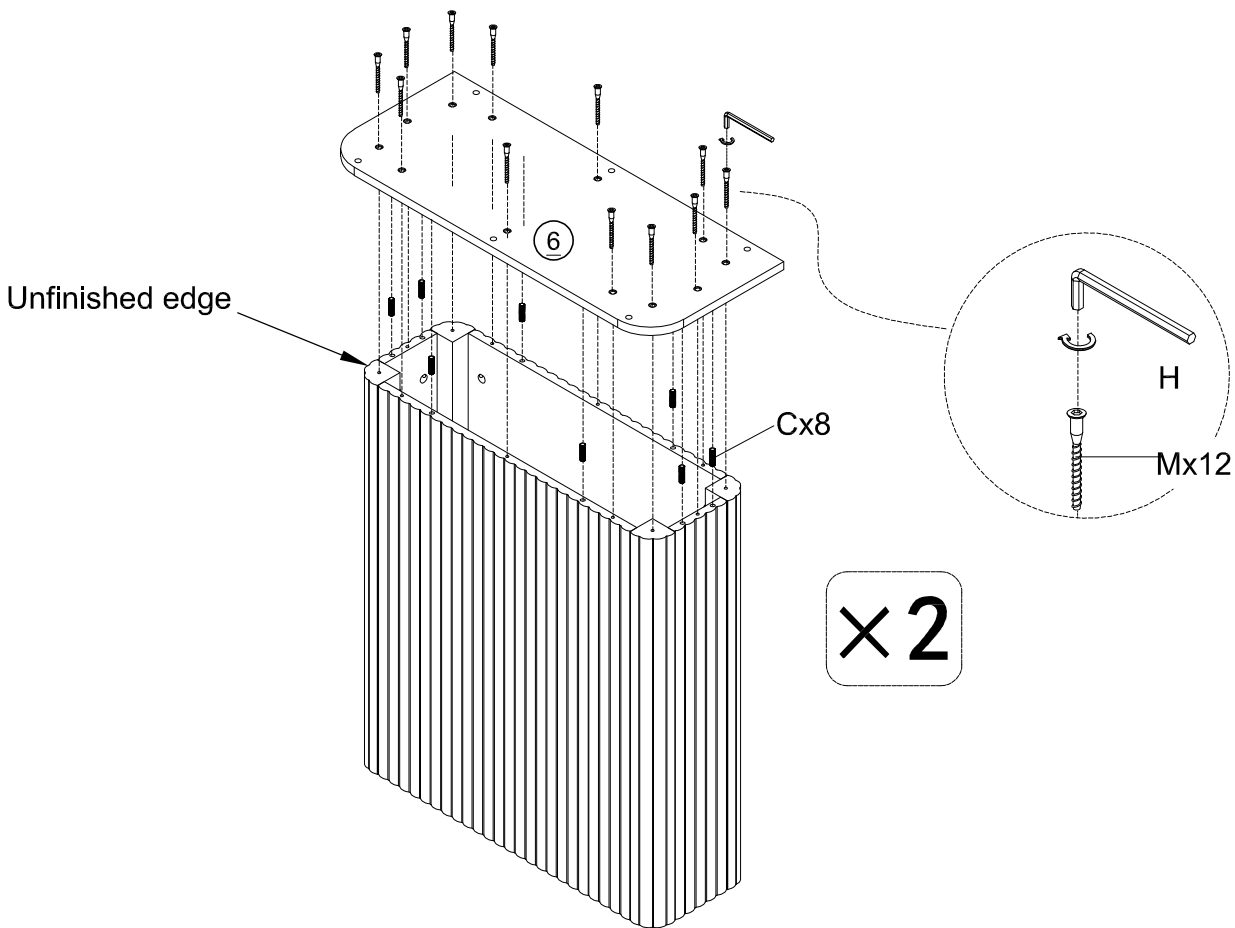
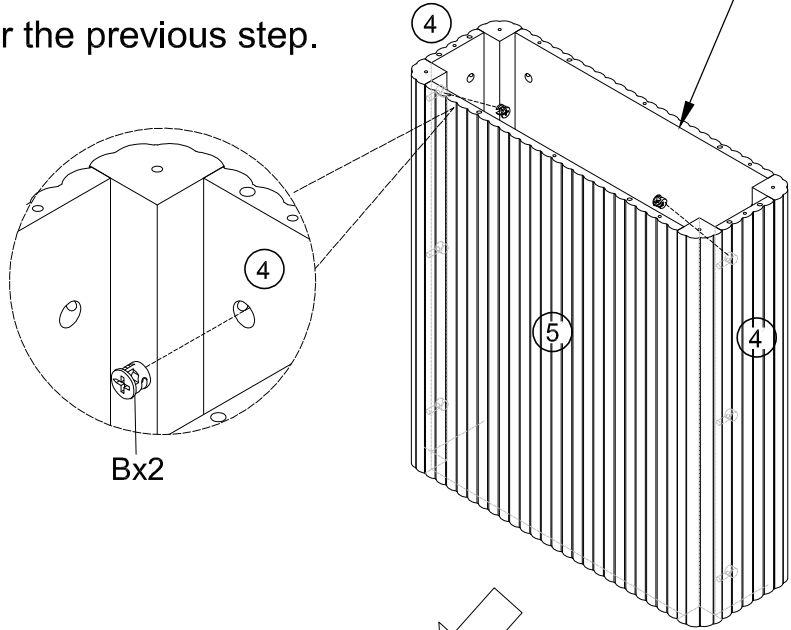


Mx24

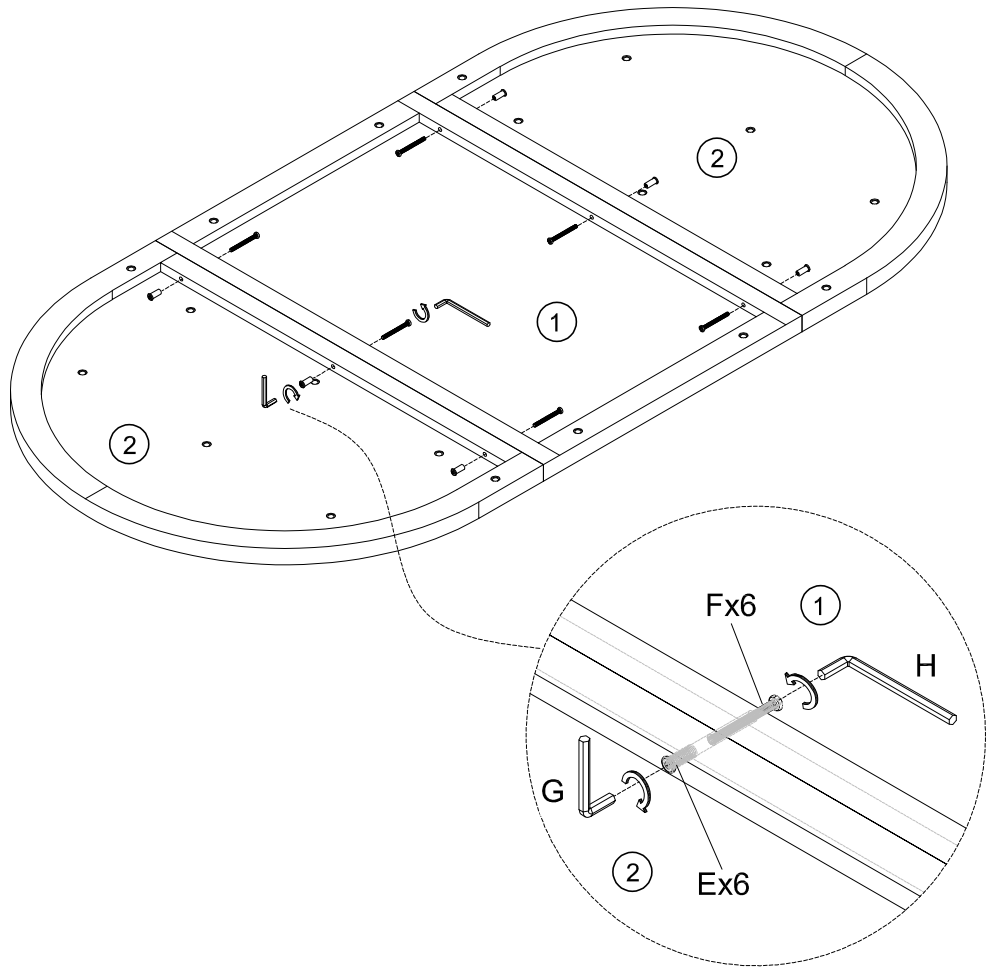
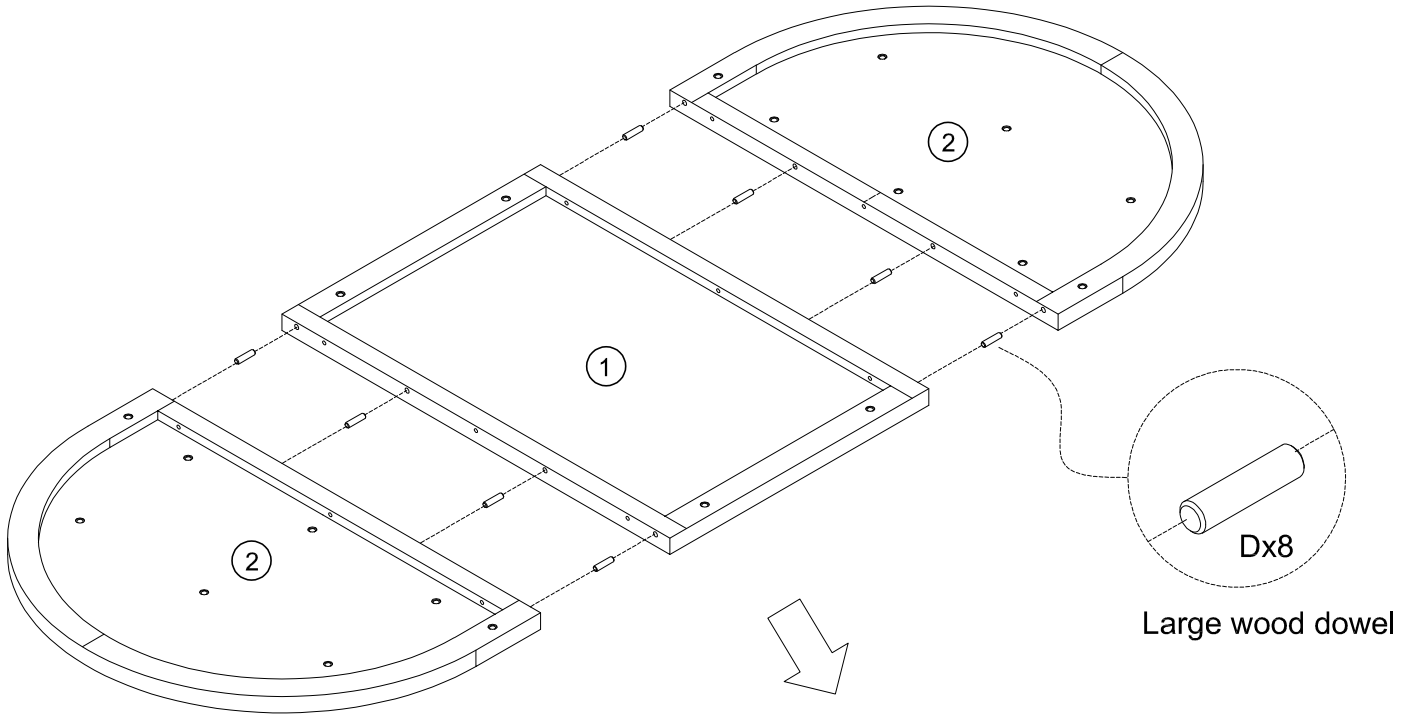
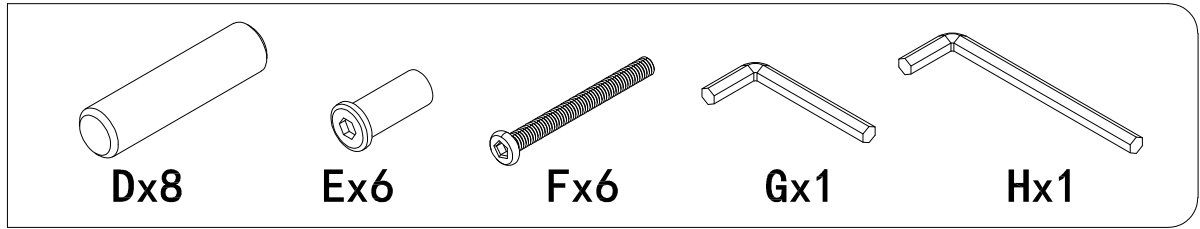


Hx1

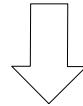
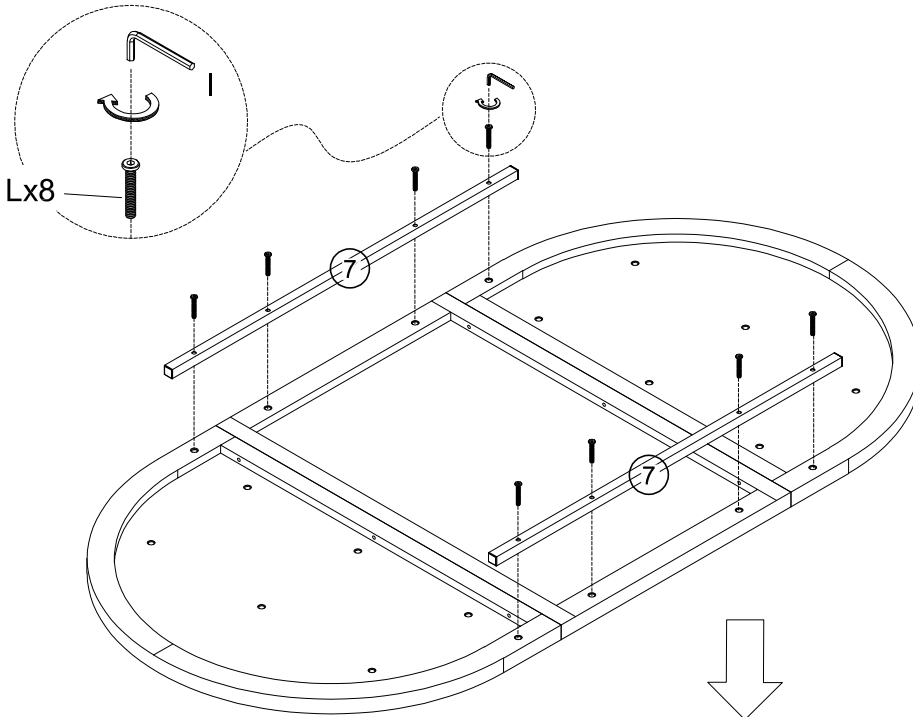
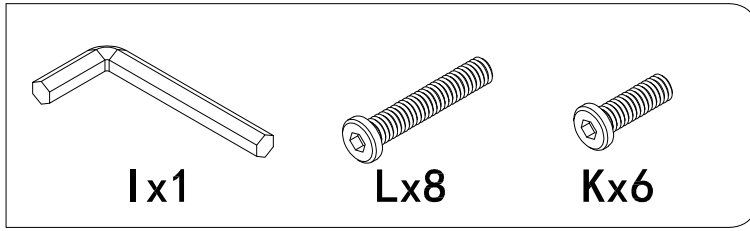
Flip it 180° after the previous step.



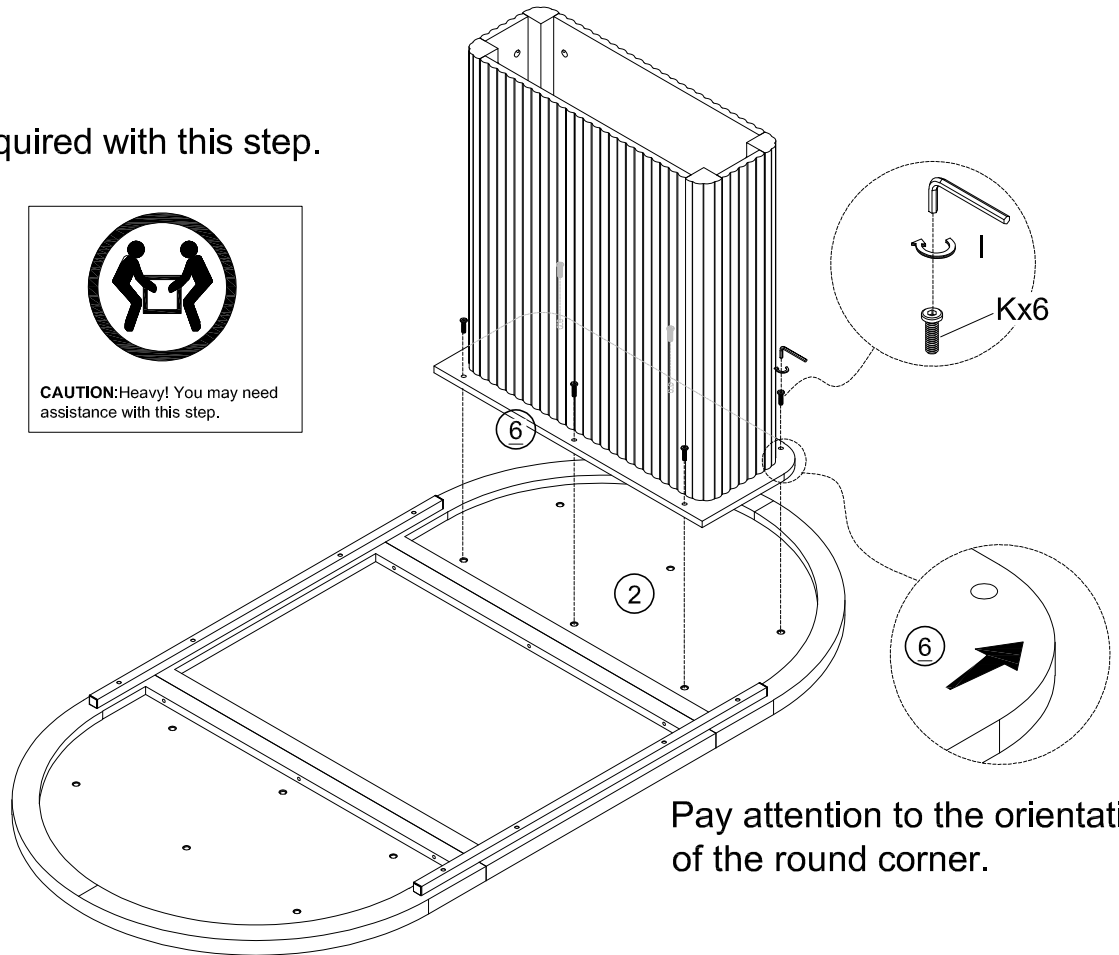
# 4



# 5

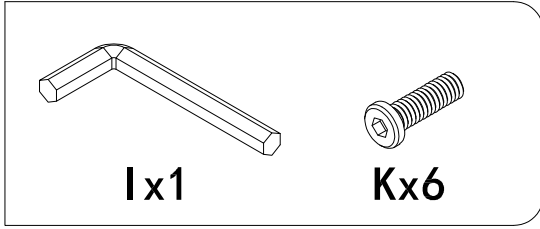


An assistance is required with this step.

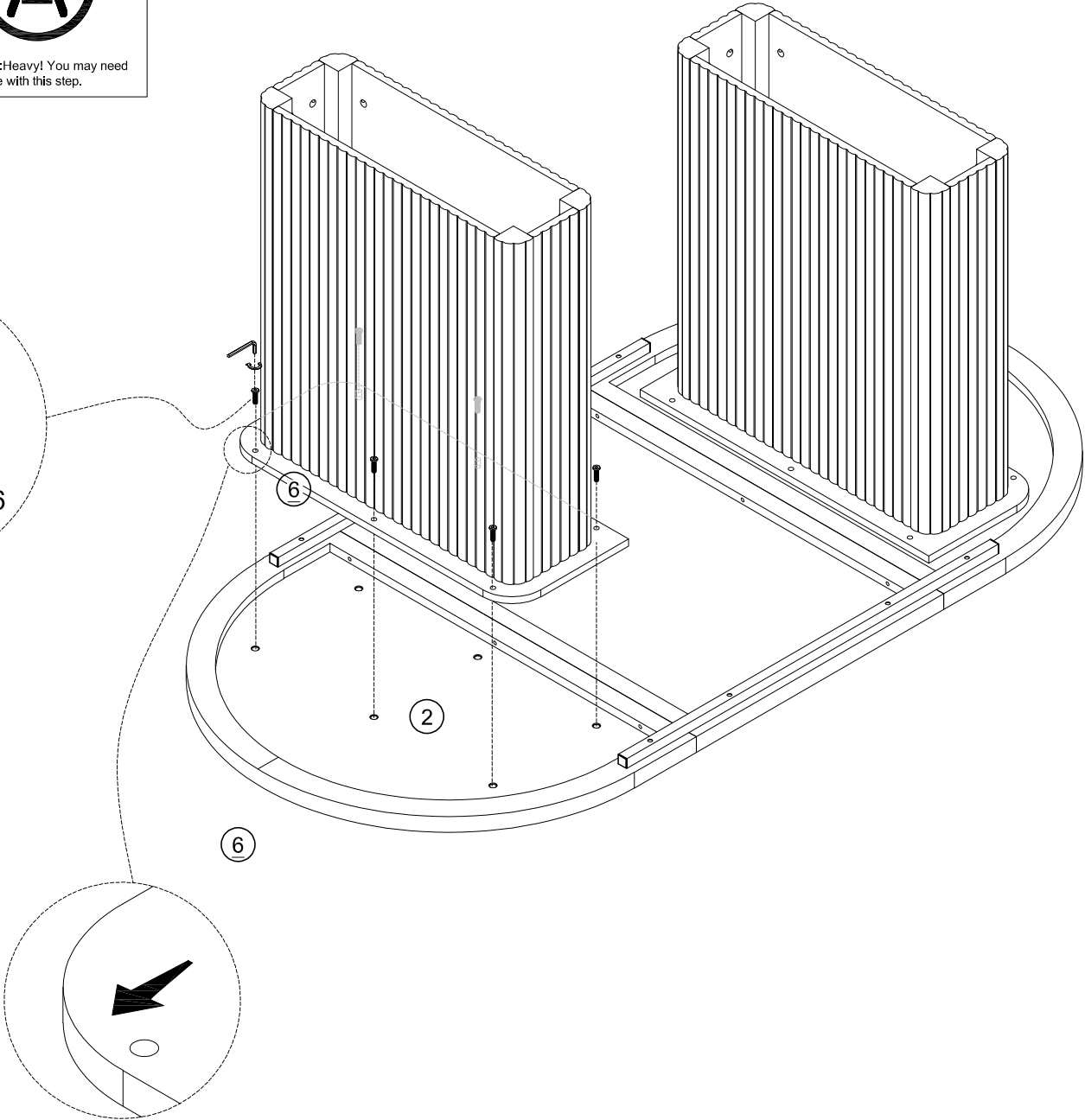
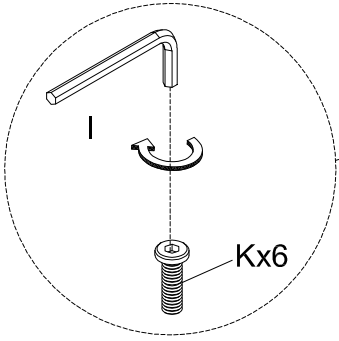


Pay attention to the orientation of the round corner.

# 6



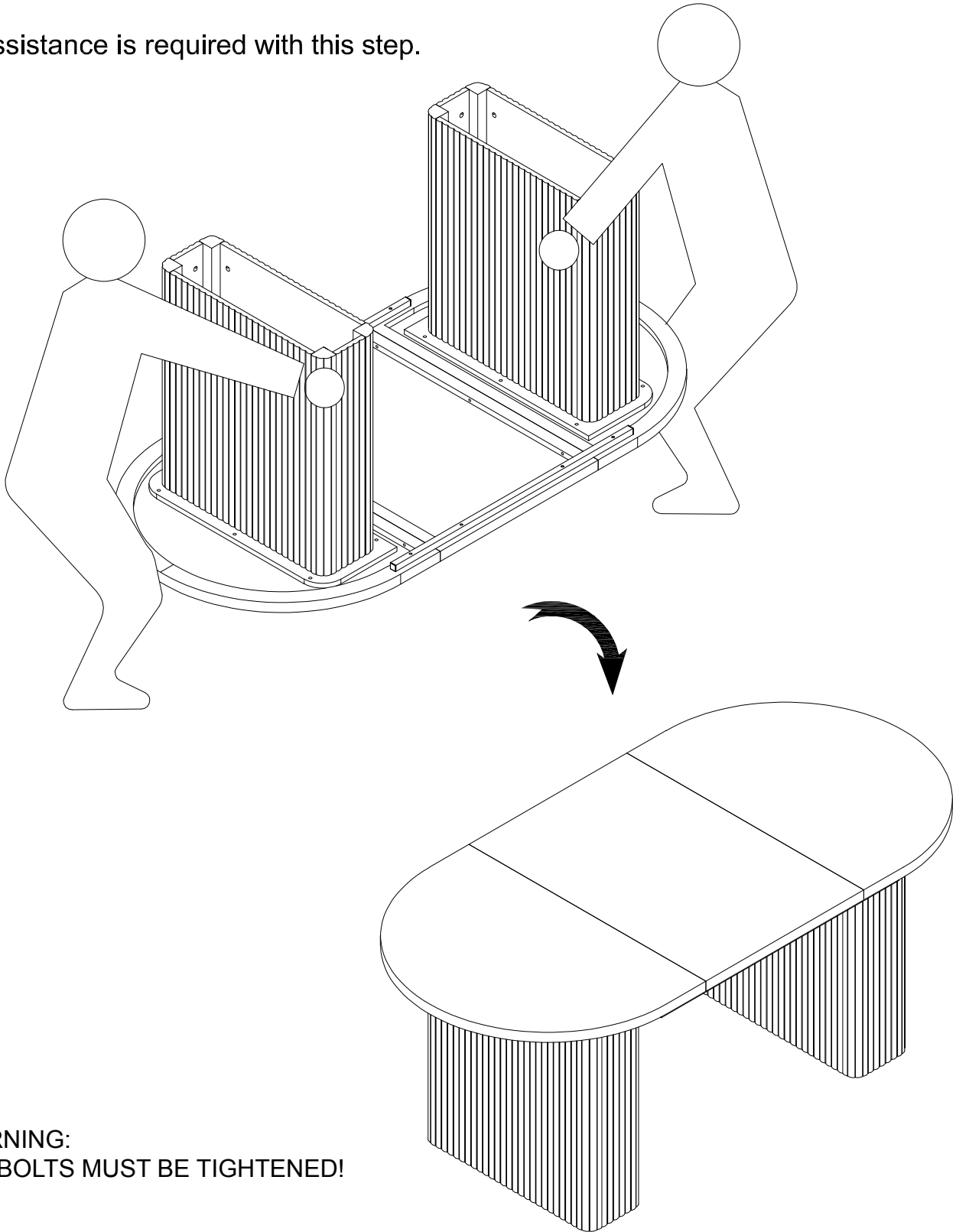
An assistance is required with this step.



Pay attention to the orientation of the round corner.

# 7

An assistance is required with this step.



**WARNING:**  
ALL BOLTS MUST BE TIGHTENED!

Installation Completed