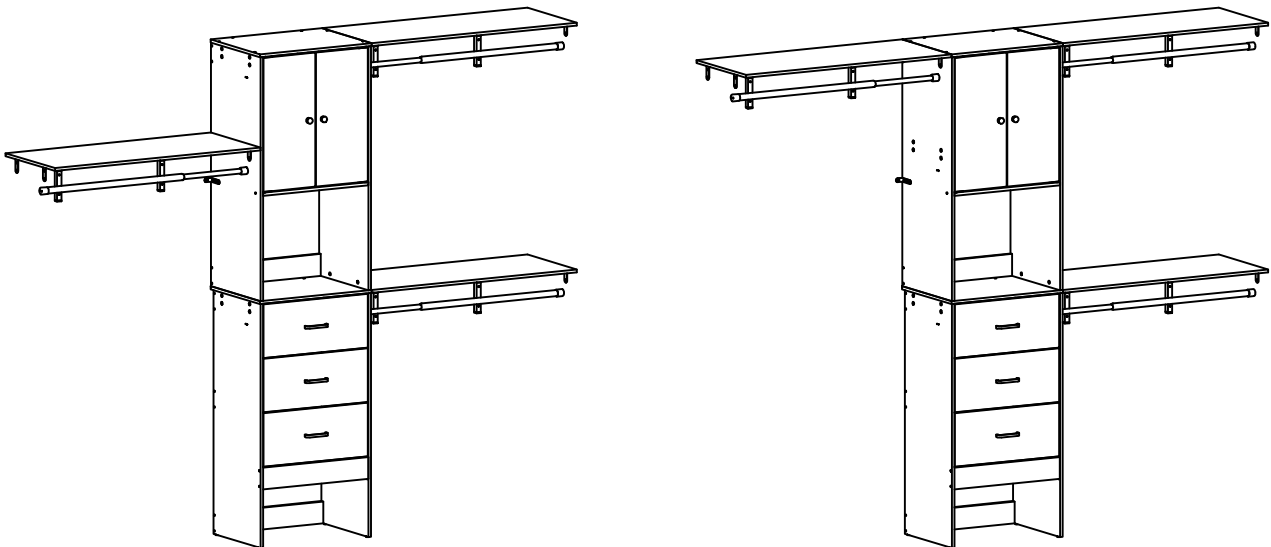


8FT CLOSET SYSTEM WITH DOORS

Assembly Instructions

AC-YGJCBDGM_V1.0



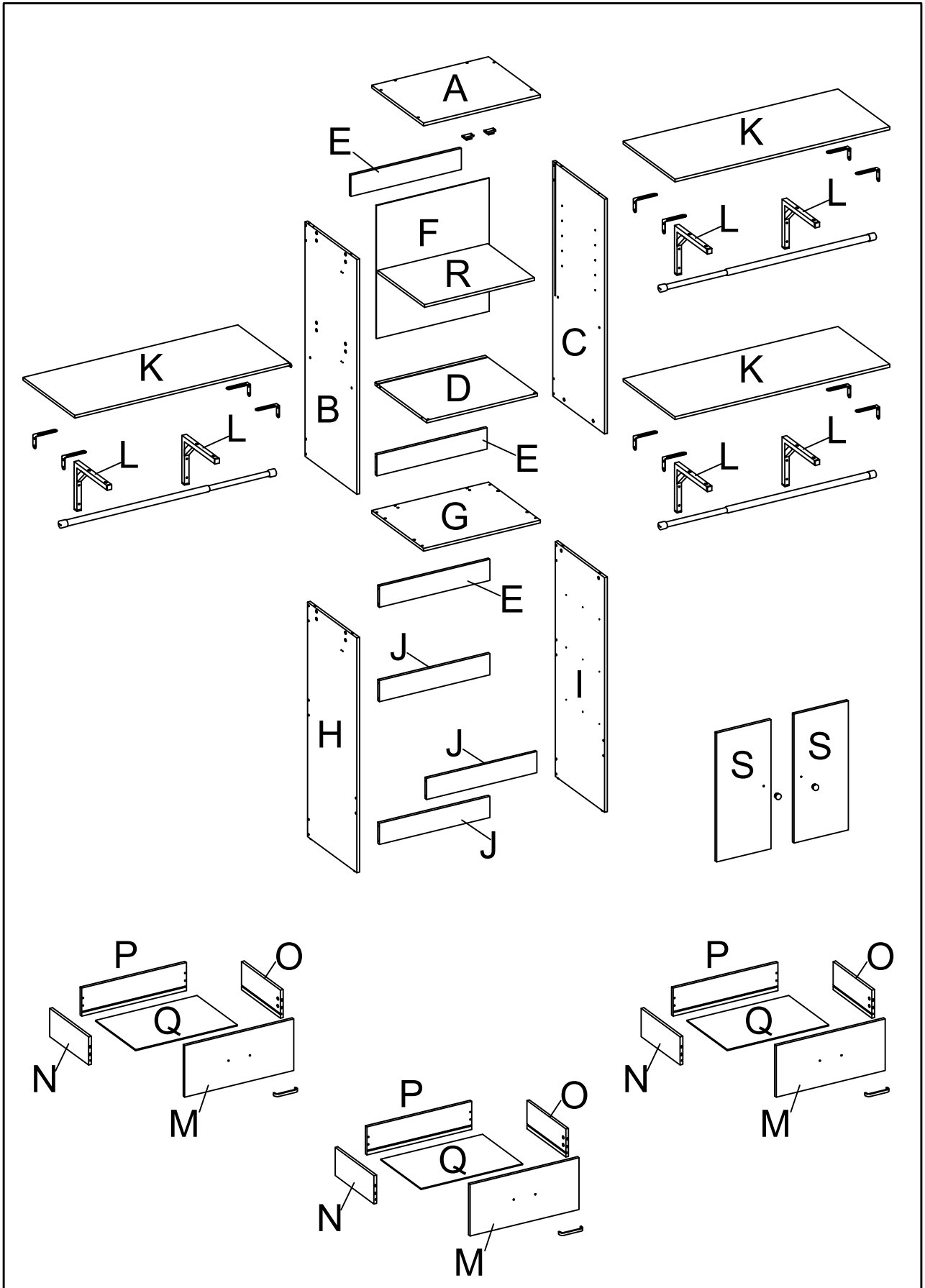
Attention: Please ensure you have all parts before commencing assembly.
Please read all the instructions before commencing.

Have problems when installing or missing parts?

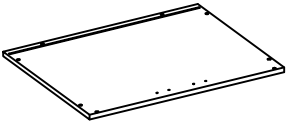
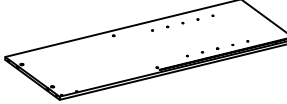
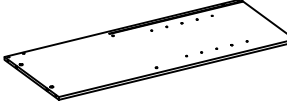
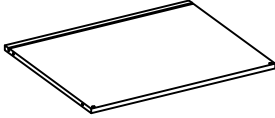

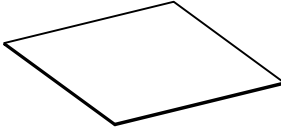
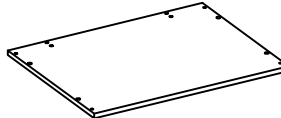
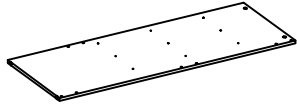
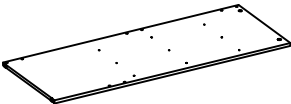

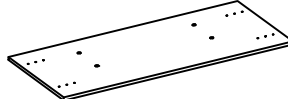
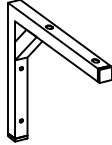
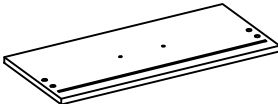
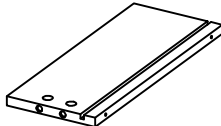
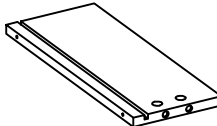



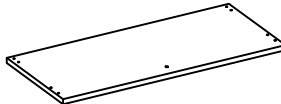
How to find us?

 **bettersp@hotmail.com**

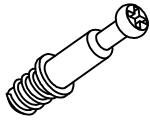

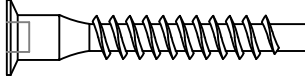

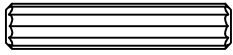

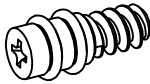


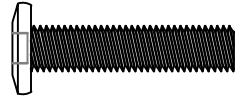
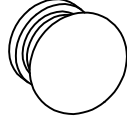
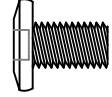



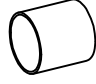

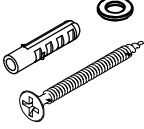
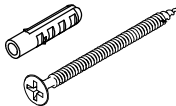
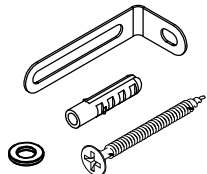
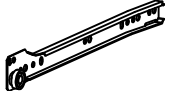
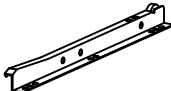
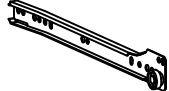
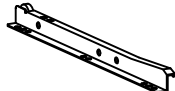
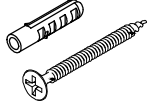


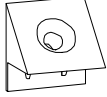
PART LIST



PART LIST

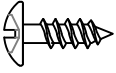
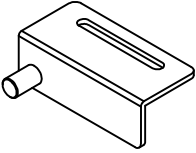
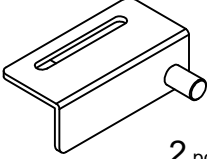
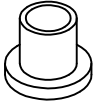
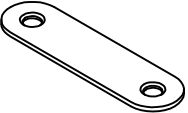

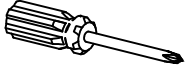
<p>A x 1pc</p> 	<p>B x 1pc</p> 	<p>C x 1pc</p> 	<p>D x 1pc</p> 
<p>E x 3pcs</p> 	<p>F x 1pc</p> 	<p>G x 1pc</p> 	<p>H x 1pc</p> 
<p>I x 1pc</p> 	<p>J x 3pcs</p> 	<p>K x 3pcs</p> 	<p>L x 6pcs</p> 
<p>M x 3pcs</p> 	<p>N x 3pcs</p> 	<p>O x 3pcs</p> 	<p>P x 3pcs</p> 
<p>Q x 3pcs</p> 	<p>R x 1pc</p> 	<p>S x 2pcs</p> 	

HARDWARE LIST

①  M6x28 20 pcs	②  Ø12 20 pcs	③  M6x40 38 pcs	④  M4x30 12 pcs
⑤  M6x30 4 pcs	⑥  M3x12 48 pcs	⑦  Ø7x19 4 pcs	⑧  M4x15 8 pcs
⑨  3 pcs	⑩  M6x27 12 pcs	⑪  2 pcs	⑫  M6x10 12 pcs
⑬  100x55 12 pcs	⑭  M4x12 24 pcs	⑮  56-100cm 3 pcs	⑯  3 pcs
⑰  3 pcs	⑱  M4x40 12 pcs	⑲  M4x60 12 pcs	⑳  M4x40 2 pcs
㉑  300L 3 pcs	㉒  300L 3 pcs	㉓  300L 3 pcs	㉔  300L 3 pcs
㉕  M4x40 6 pcs	㉖  M4x12 6 pcs	㉗  M3x16 2 pcs	㉘  8 pcs

Please count and verify all parts before assembly .

HARDWARE LIST

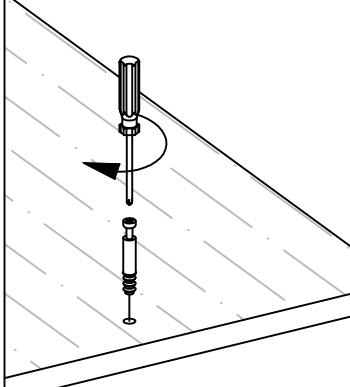
<p>29</p>  <p>M3.5x12 8 pcs</p>	<p>30</p>  <p>2 pcs</p>	<p>31</p>  <p>2 pcs</p>	<p>32</p>  <p>4 pcs</p>
<p>33</p>  <p>2 pcs</p>	<p>34</p>  <p>M4 1 pc</p>	<p>35</p>  <p>1 pc</p>	

Please count and verify all parts before assembly .

How to install Camlocks

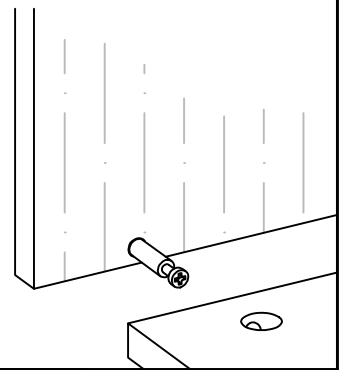
Connect the male camlock as directed in the assembly instructions with a screwdriver.

1 DO NOT OVER TIGHTEN



Put the male camlock into the entry hole.

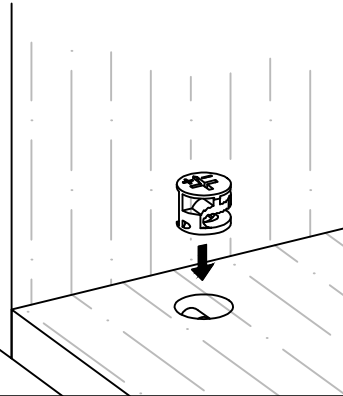
2



Insert the female camlock as shown in the instruction.

Note: ensure that the arrow on the top of the camlock points toward the entry hole for the male camlock.

3

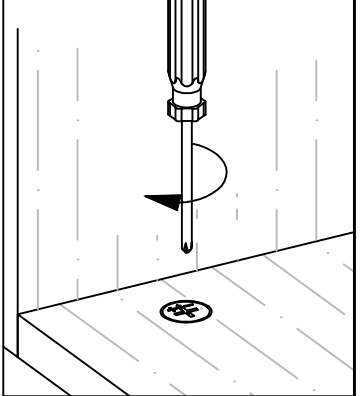


Screw the female camlock clockwise with a screwdriver.

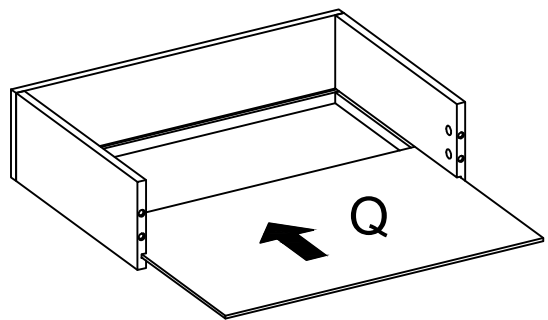
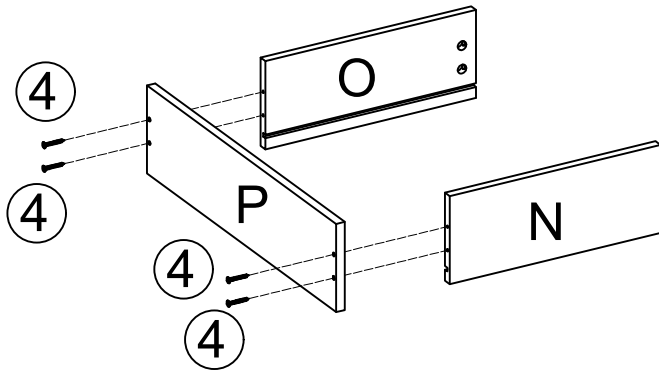
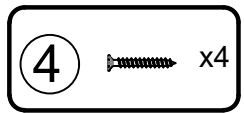
You will feel a click when the camlock is locked in place.

The camlock is now completed.

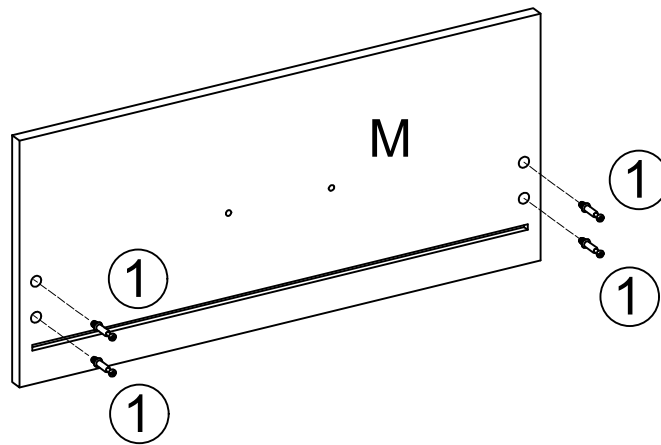
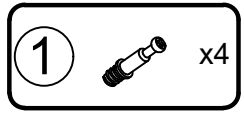
4



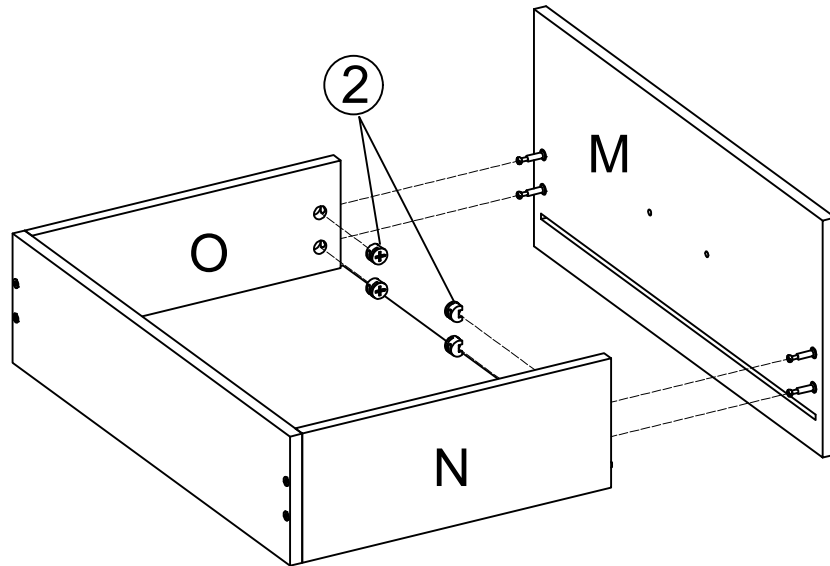
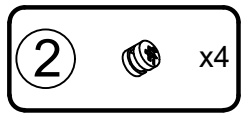
STEP 1



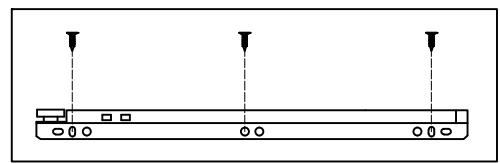
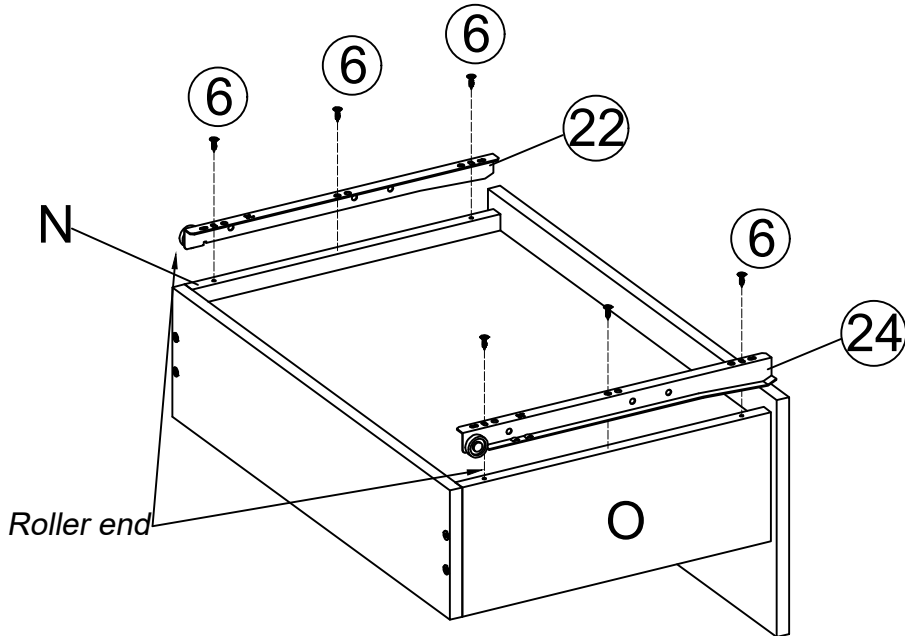
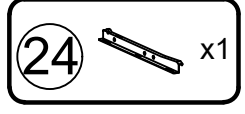
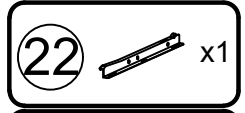
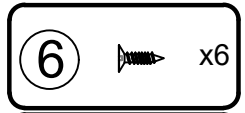
STEP 2



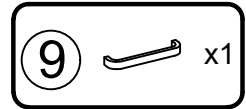
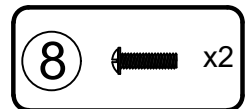
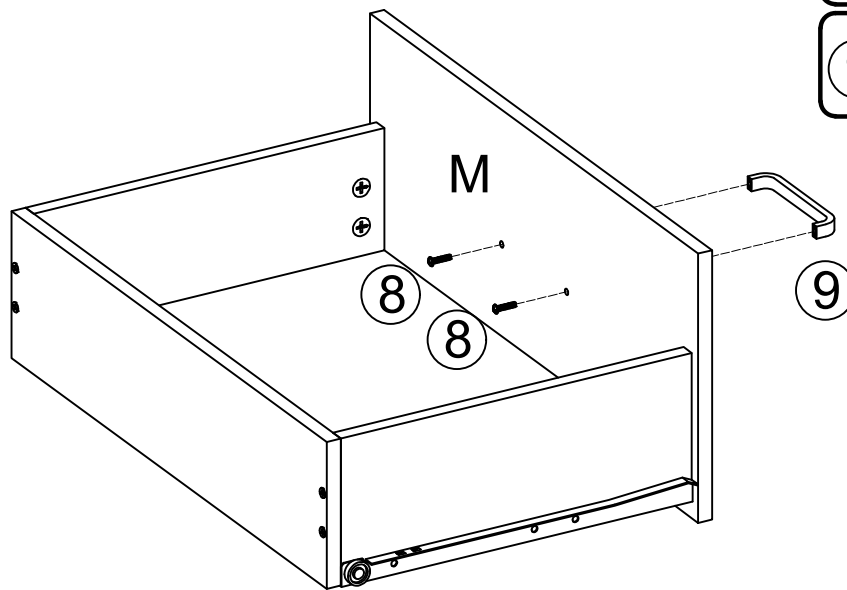
STEP 3



STEP 4



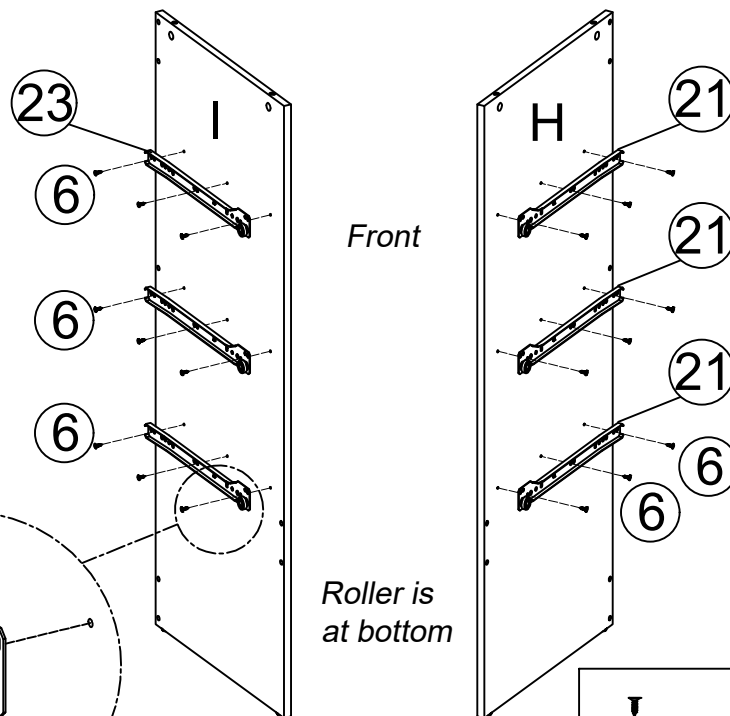
STEP 5



NOTICE:

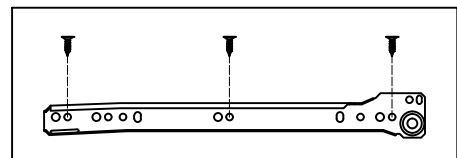
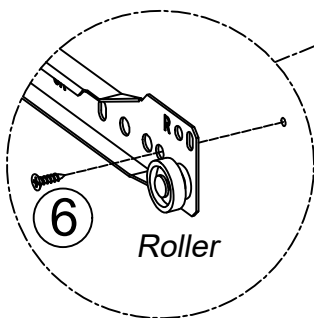
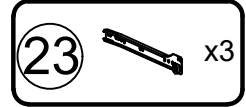
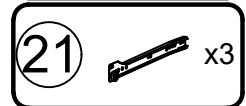
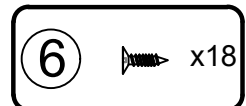
The installation for all the three drawers is base on the five steps above.

STEP 6



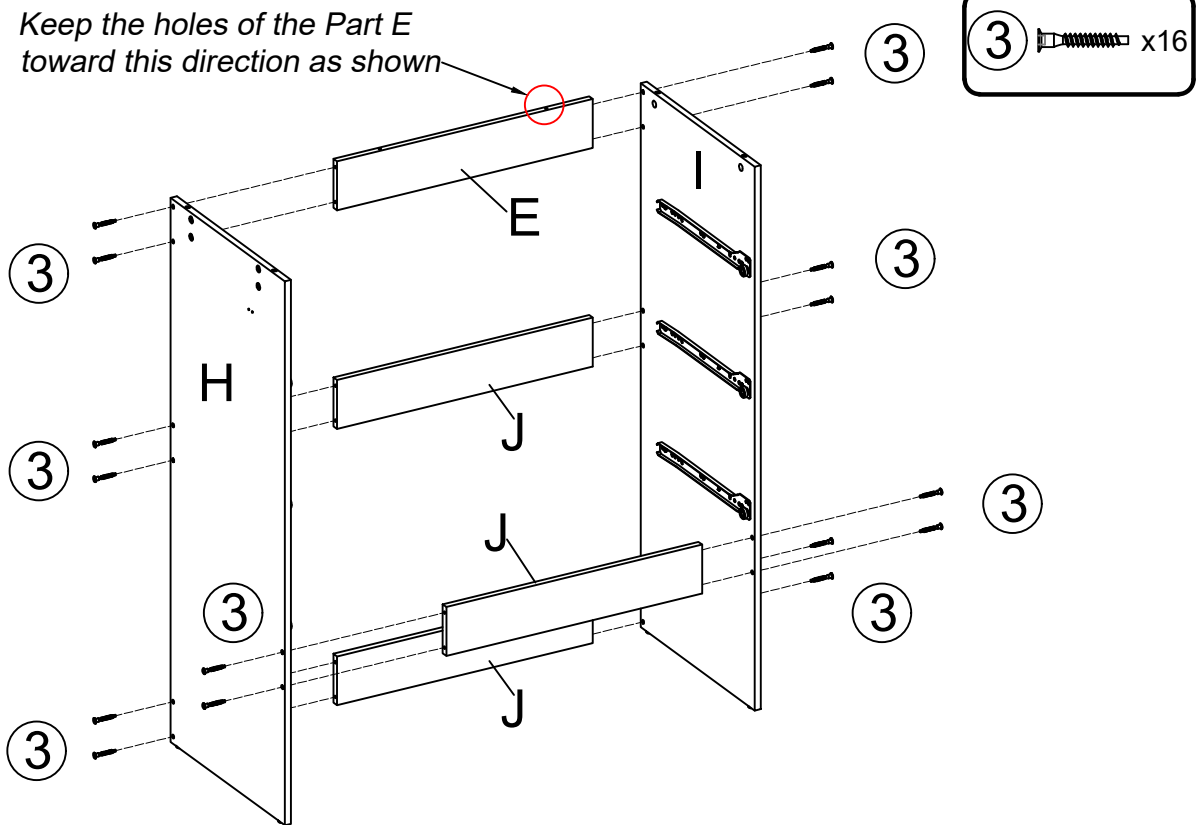
Front

Roller is at bottom

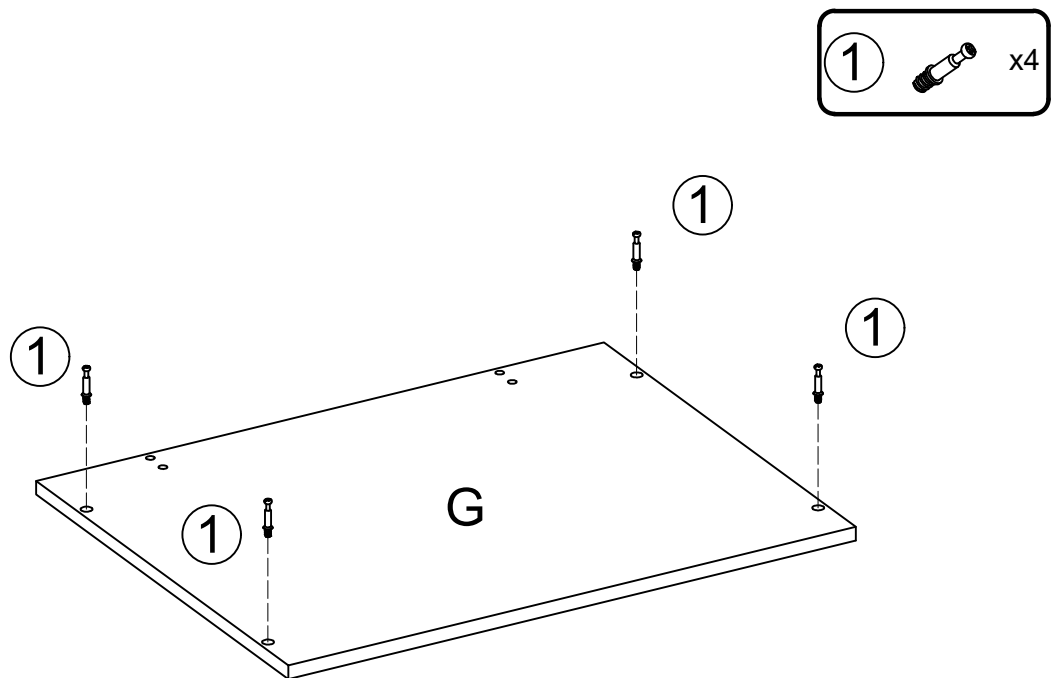


STEP 7

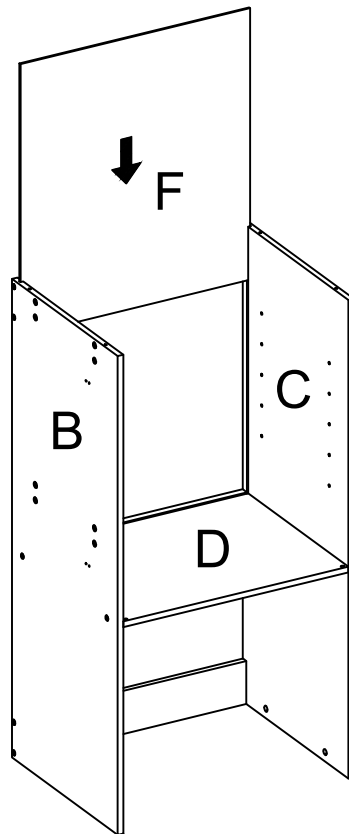
Keep the holes of the Part E toward this direction as shown



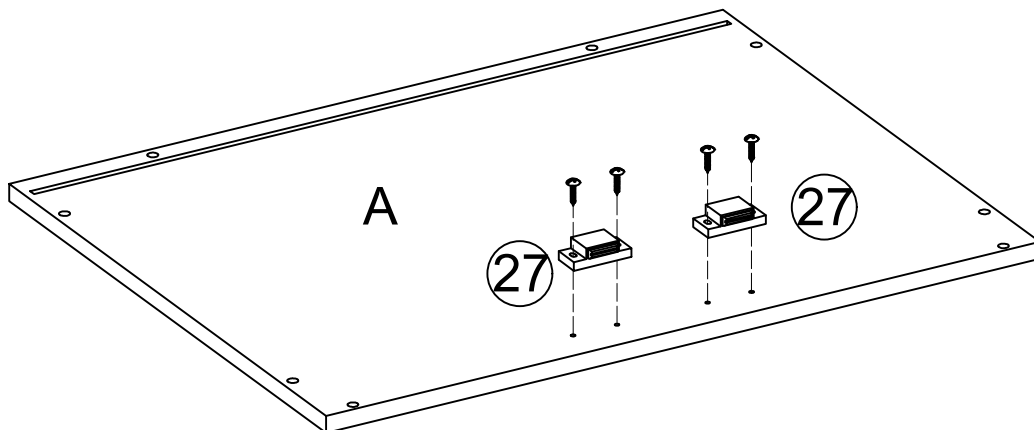
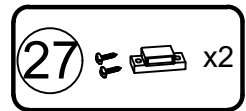
STEP 8



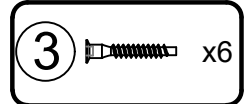
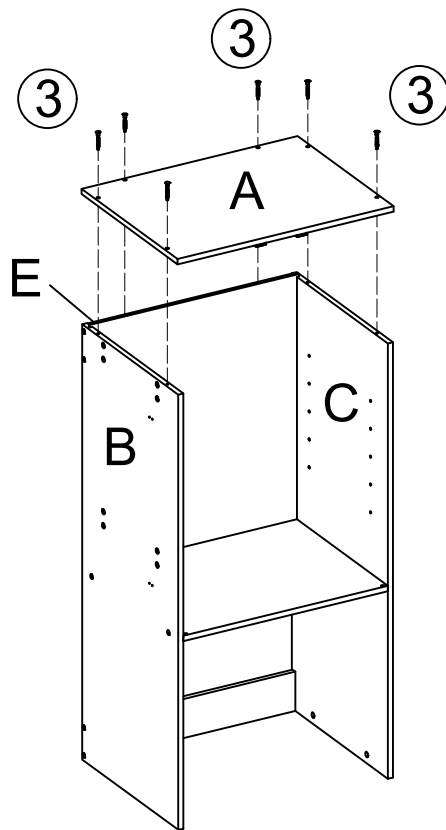
STEP 11



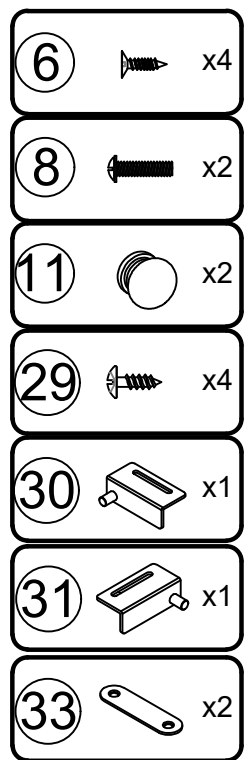
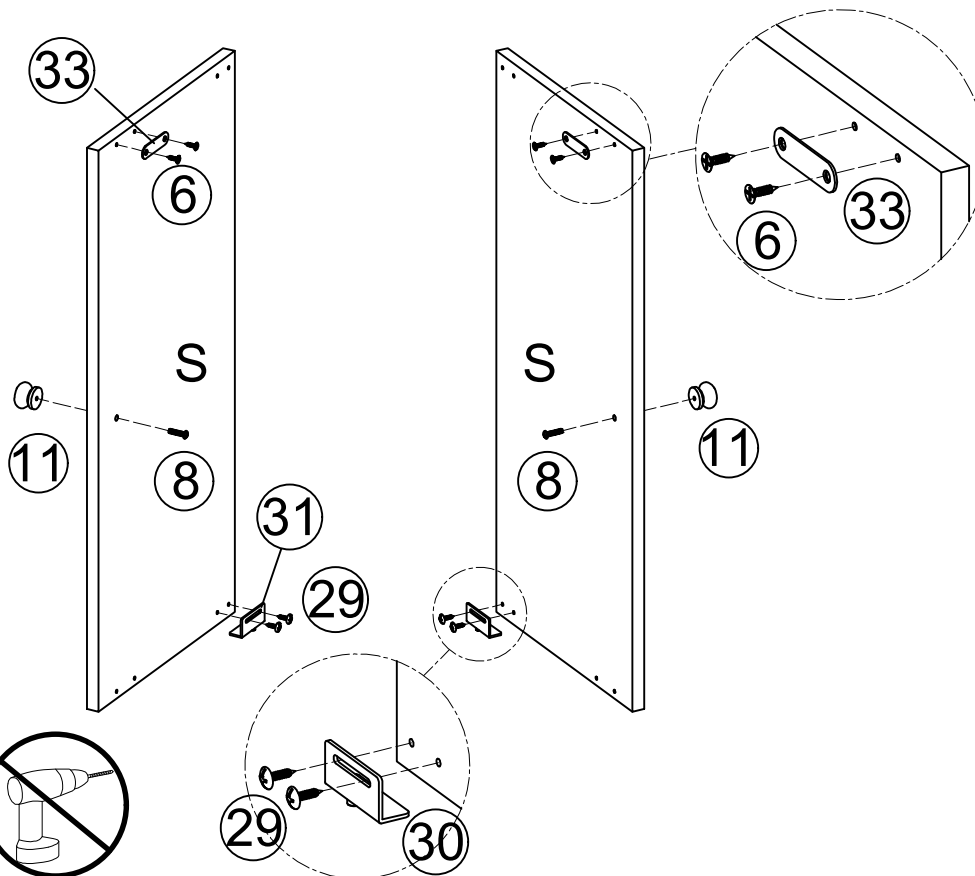
STEP 12



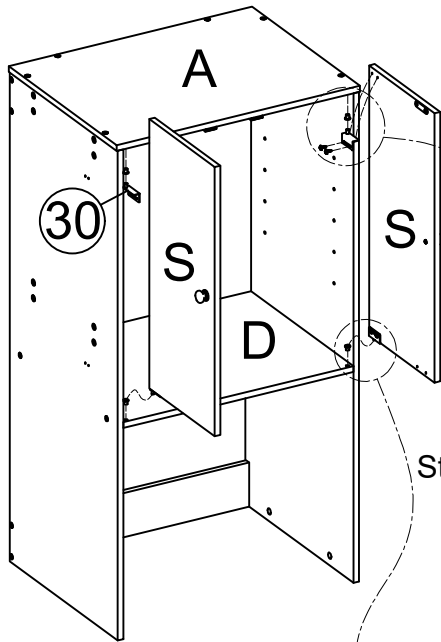
STEP 13







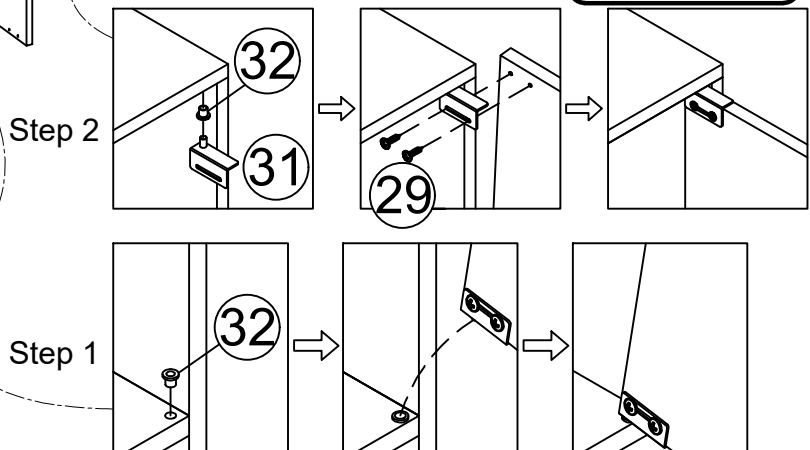
STEP 14



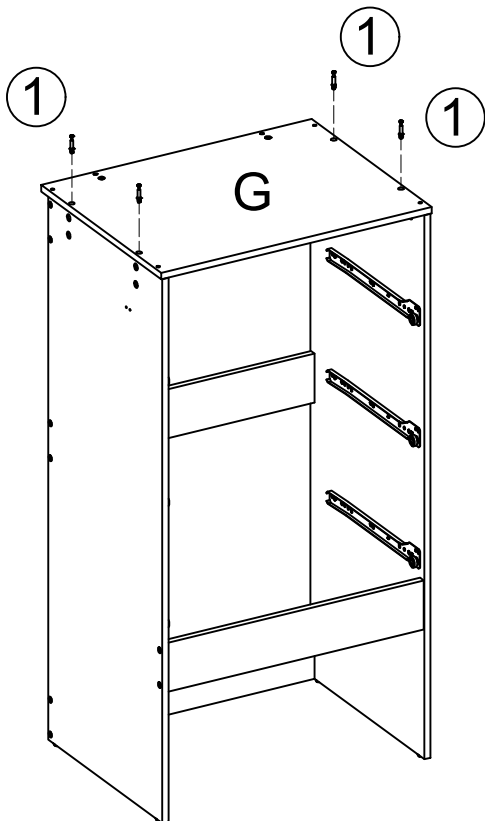
STEP 15




- 29  x4
- 30  x1
- 31  x1
- 32  x4

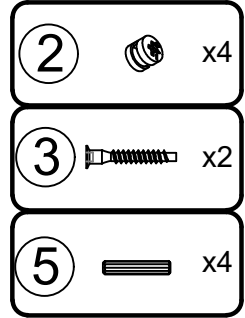
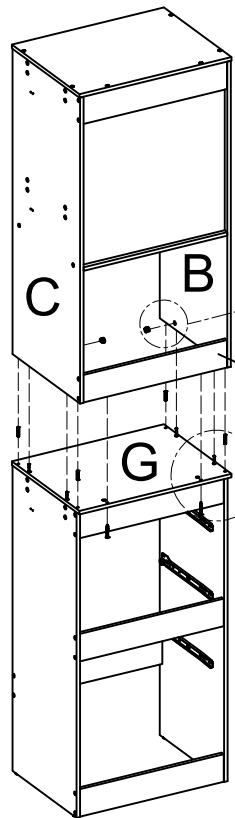


STEP 16

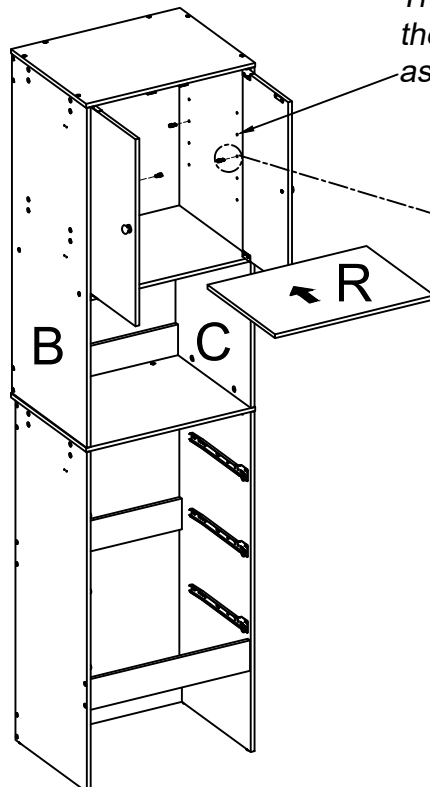


- 1  x4

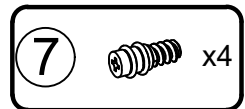
STEP 17



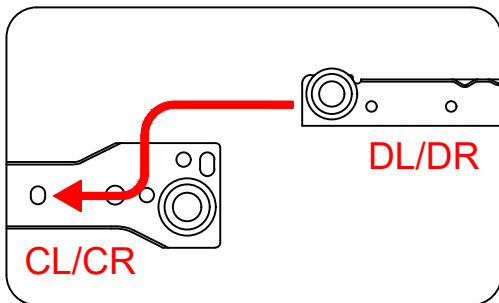
STEP 18



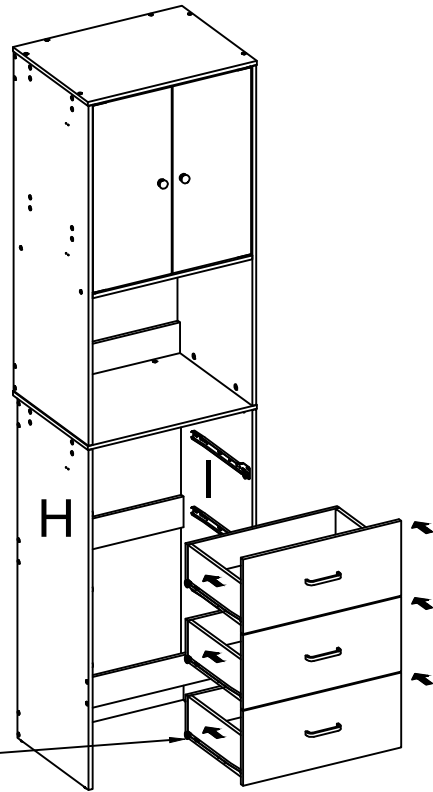
There are 5 heights for the shelf to be adjusted as you need.



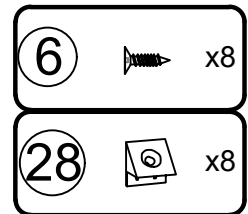
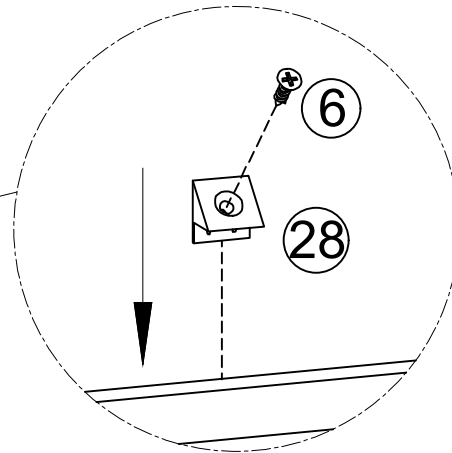
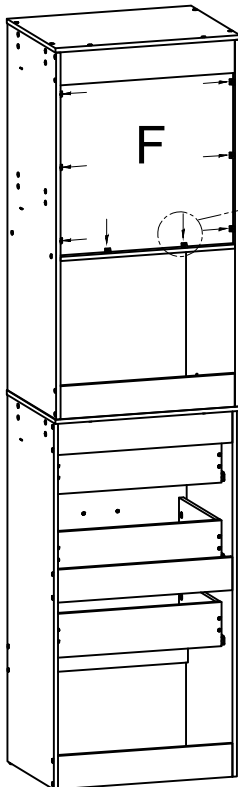
STEP 19



Please put the wheels align with the slots as the instruction shows, then slide into them



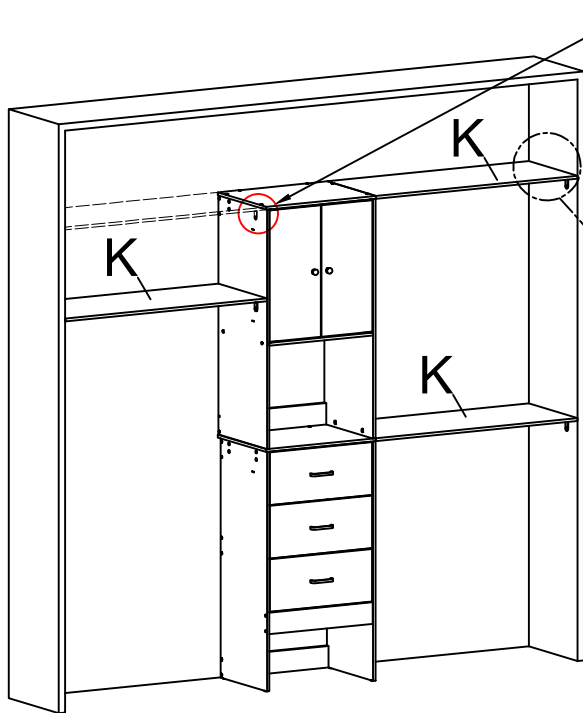
STEP 20



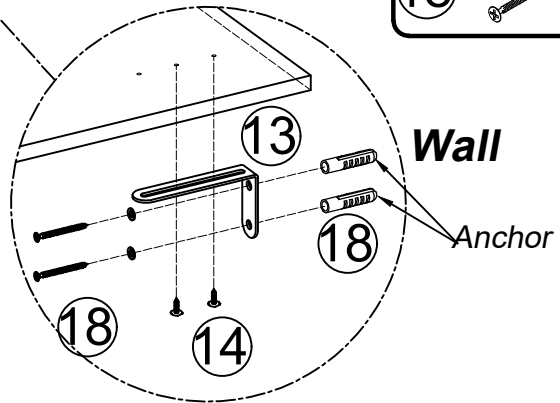
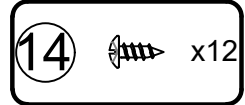
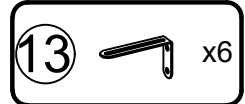
Use the buckles to reinforce the back panel.

STEP 21

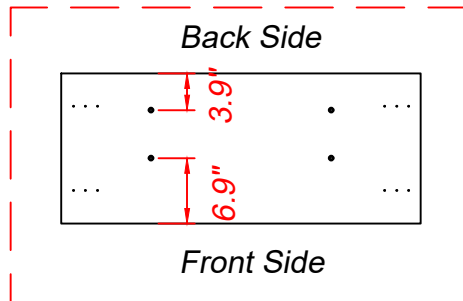
Long Shelf Installation



There are 3 heights for the Left shelf and pole to be adjusted as you need.



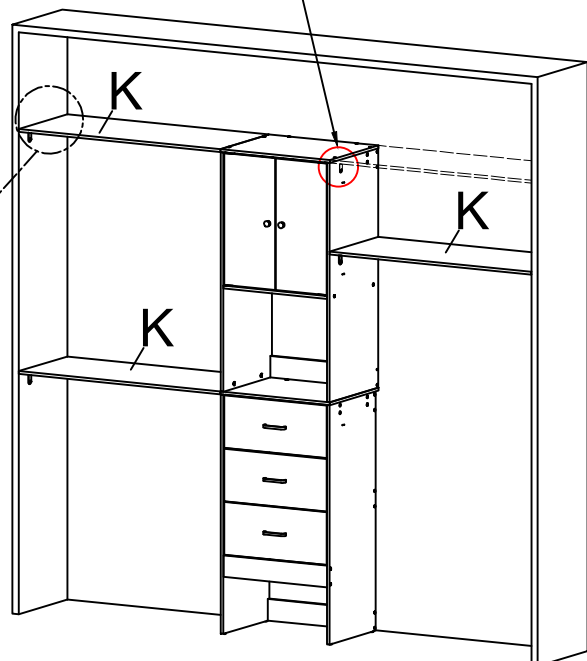
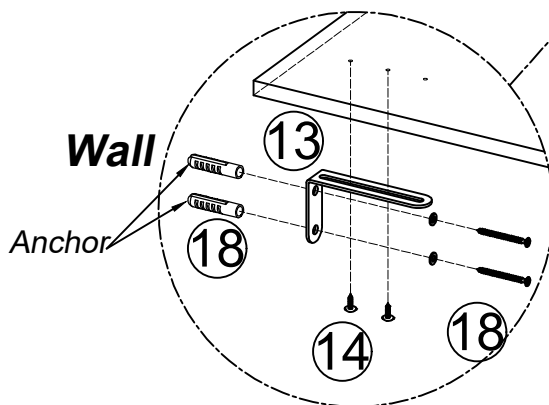
Note: If long shelf (K) needs cut to fit inside your closet space, cut only one side of the shelf and do not use a hacksaw. It is recommended you hire an insured remodeler for this type of installation.



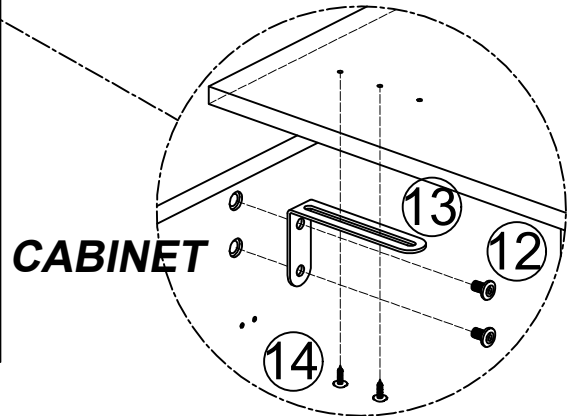
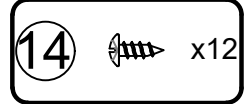
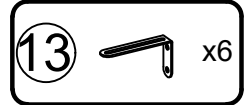
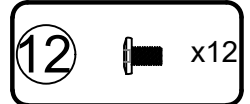
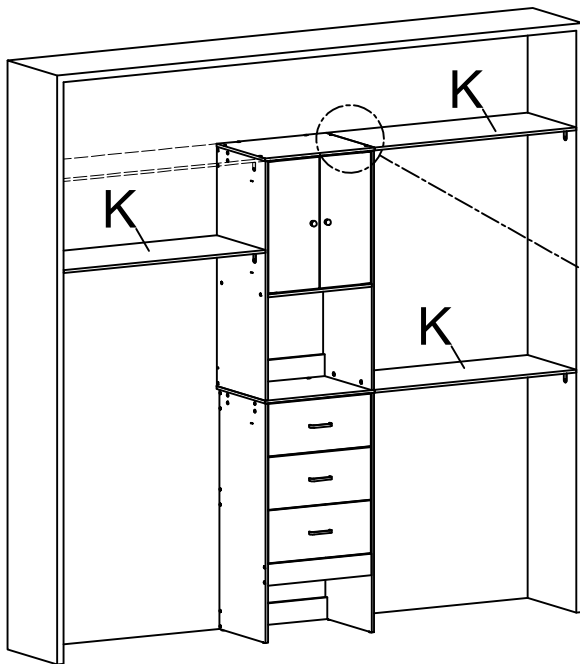
Keep the holes of the Part K toward this direction as shown

OR

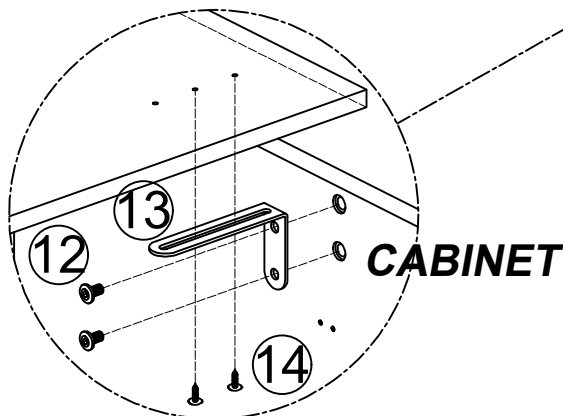
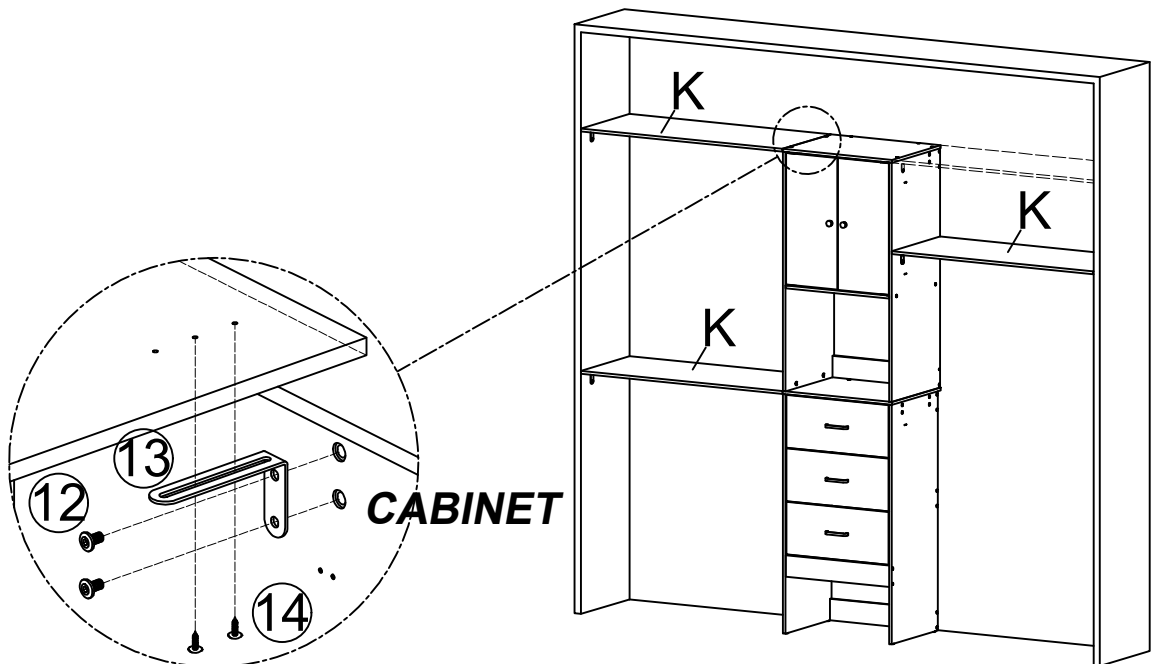
There are 3 heights for the right shelf and pole to be adjusted as you need.



STEP 22

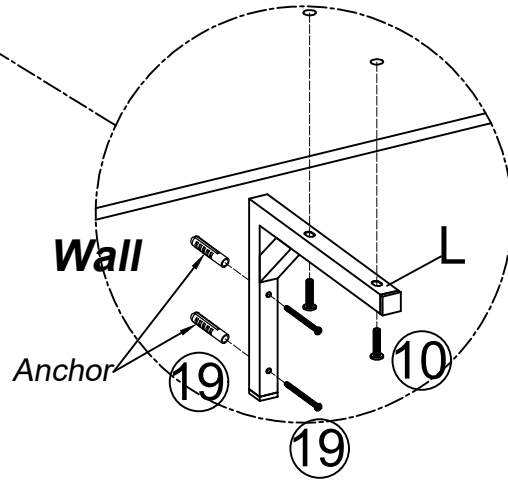
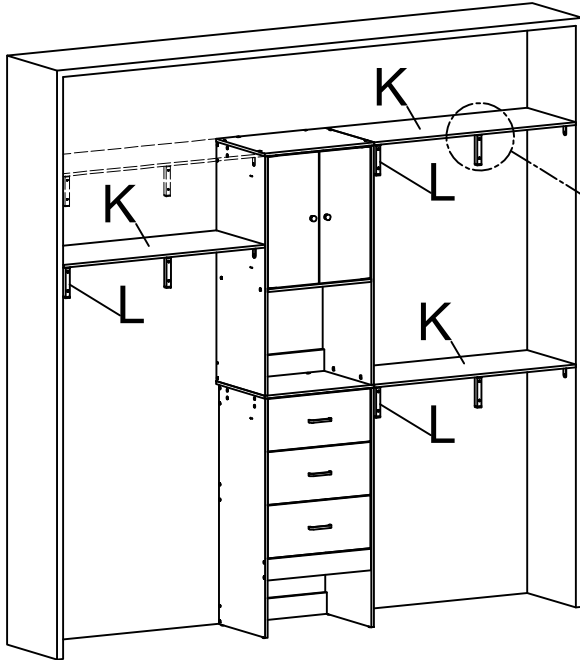
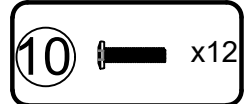


OR

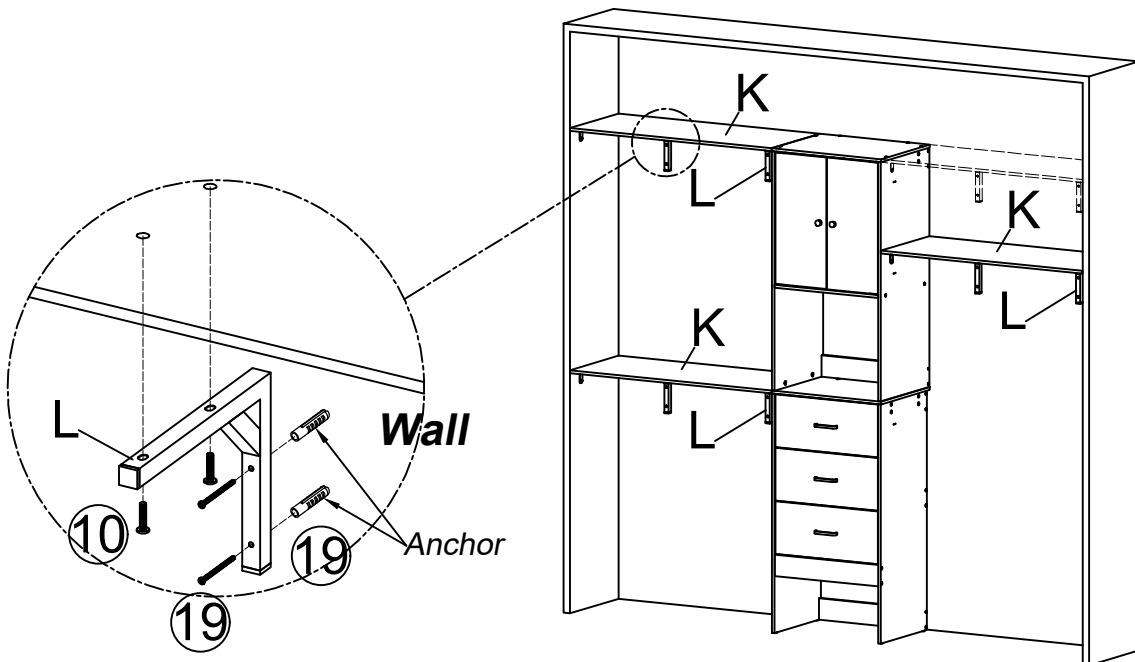


STEP 23

Shelf Support Installation

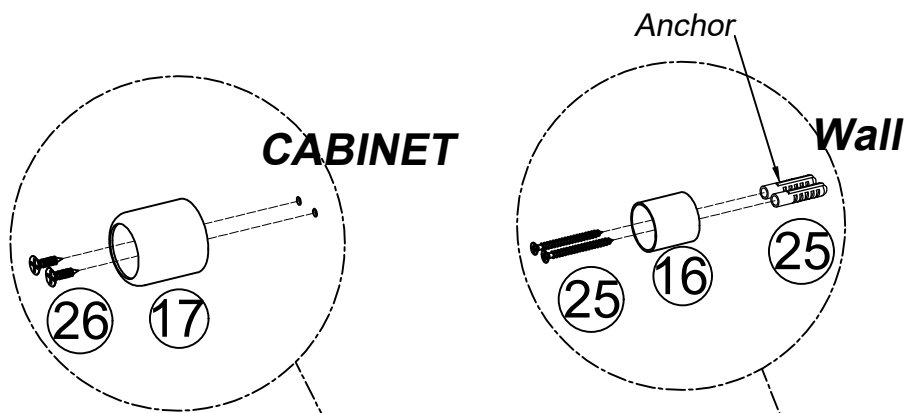


OR

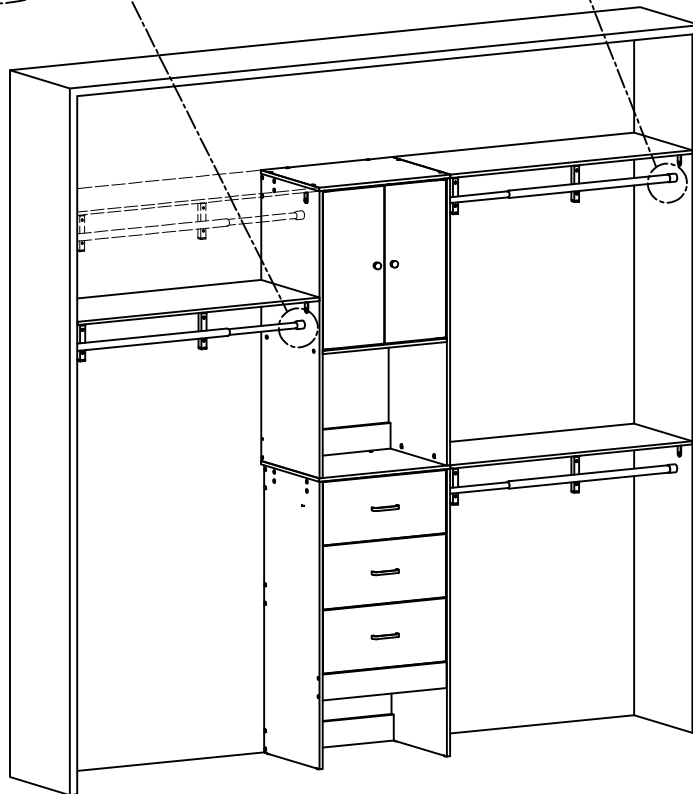


STEP 24

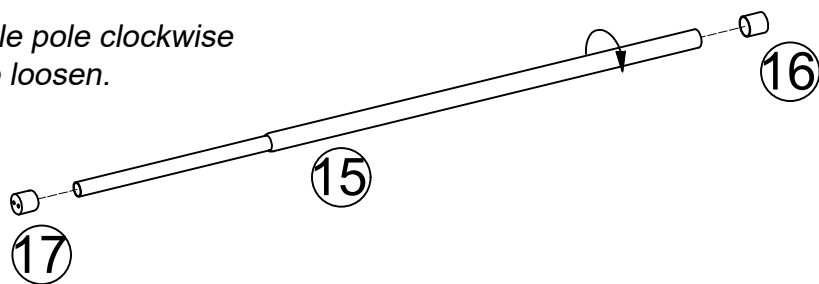
Pole Installation



- (15) — x3
- (16) — x3
- (17) — x3
- (25) — x6
- (26) — x6

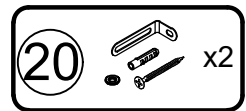


Note: Twist the expandable pole clockwise to tighten. anticlockwise to loosen.



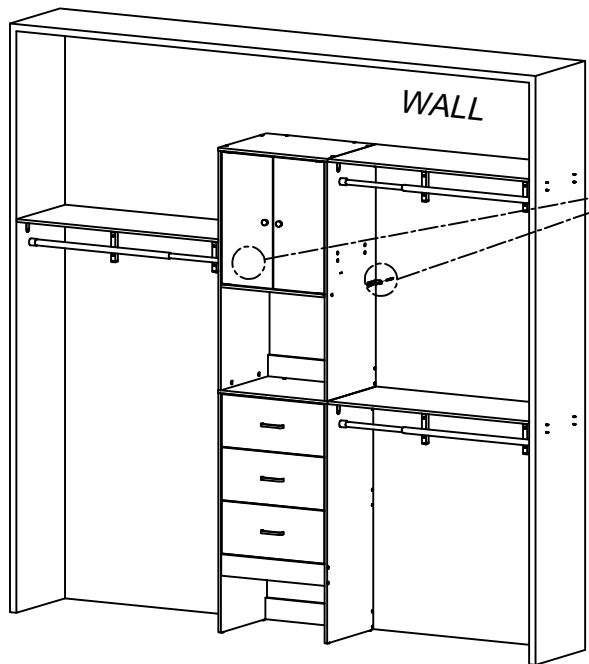
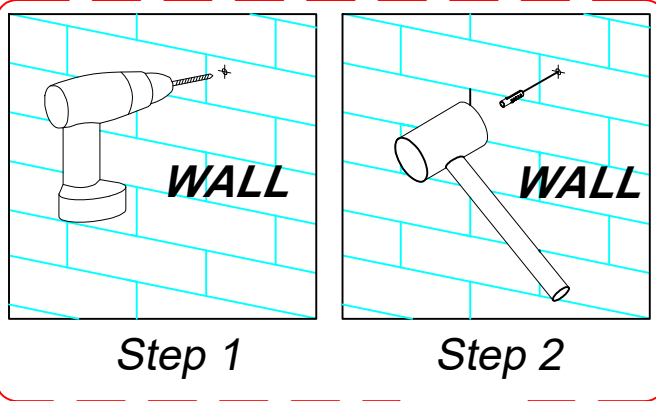
STEP 25

TIPPING RESTRAINT HARDWARE

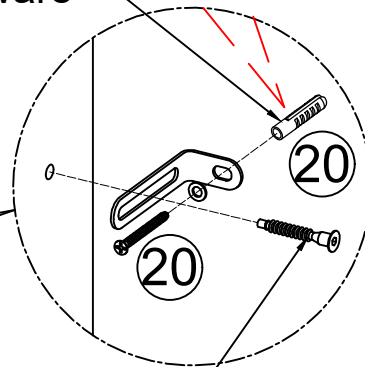


Note: We have included two Tipping Restraint Hardware set for this Unit. When properly installed, this restraint can provide protection against the unexpected tipping of the Unit due to small tremors, bumps or climbing. We strongly recommend mounting this hardware to a wall stud and your Unit.

Note: You must install the Tipping Restraint Hardware with the unit in use to prevent any accidents or damage to the unit.



Tipping Restraint Hardware



Please unscrew one Part (3) screw first, then install Part (20).