



**XOGVENT\_**  
1200 CFM EXHAUST HOOD

PUT SOME AWESOME IN YOUR BACKYARD



**XOGVENT\_**

- 304 Stainless steel exterior
- Two powerful blowers
- 33" deep - a must for proper capture
- Perfect for any grilling arrangement

## POWERFUL PERFORMANCE

- Exhaust either vertically or horizontally through a 10-inch round duct
- Two powerful blowers capable of exhausting up to 1,200 CFM
- Four LED lamps brilliantly illuminate the cooking area
- Perfect for any grilling arrangement with top or rear discharge capabilities
- 33" deep ( Most grill installs are 6" from non combustible wall)
- Seamless, hand-crafted welded edges ensure strength and durability
- 304 Stainless steel exterior is easy to keep clean and eliminates grease traps
- Commercial-grade, high luster baffle filters are attractive and long-lasting

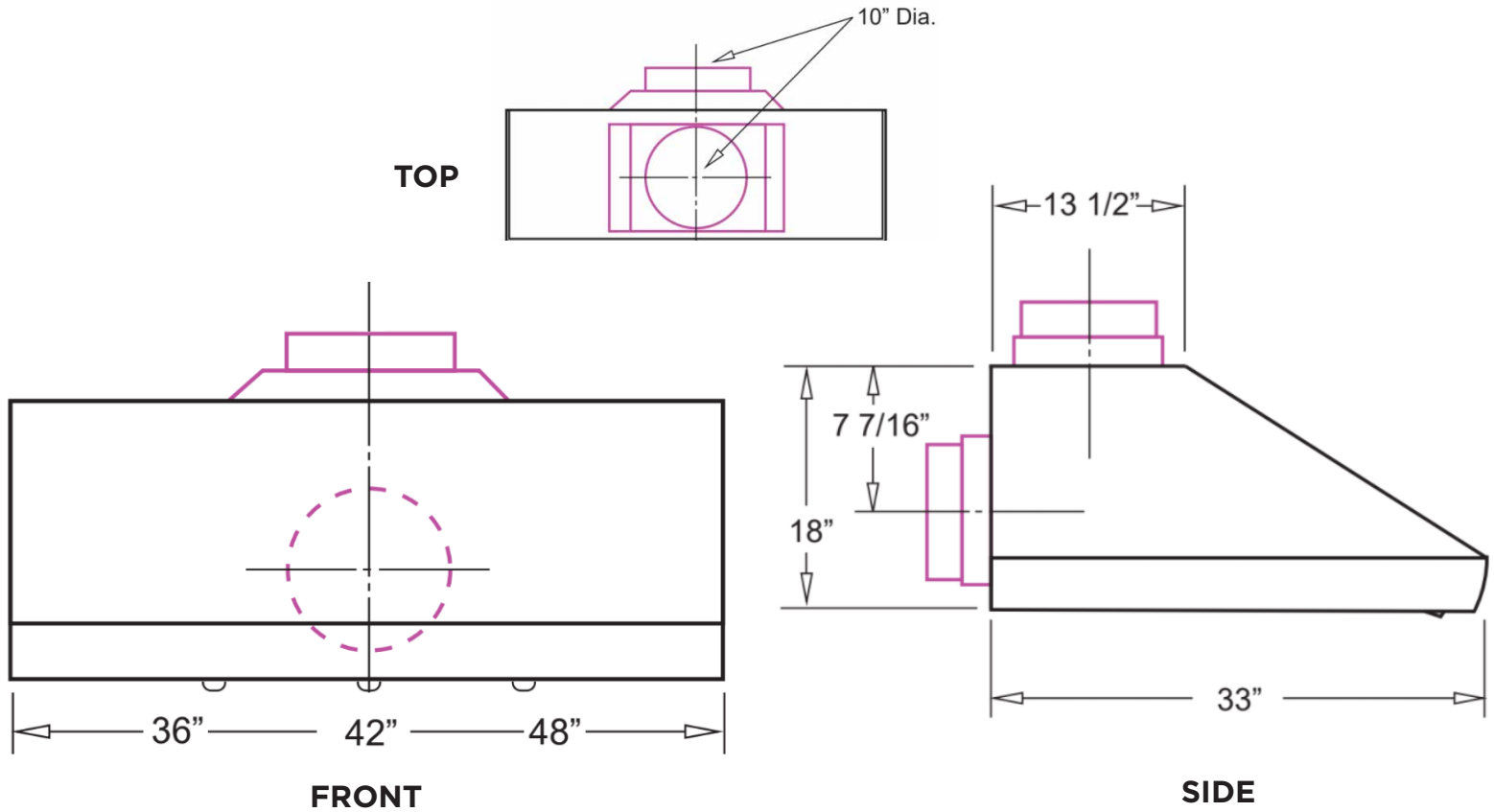
At XO, we believe that a good design is something everyone can afford

WORLD CLASS SERVICE | COMPREHENSIVE WARRANTIES

OUR LASTING COMMITMENT TO YOU



For 90 days, all our products are backed by our unique Love It or Leave It Guarantee\*



### FEATURES

#### FINISH

Stainless Steel

#### FEATURES

- Exhaust either vertically or horizontally through a 10-inch round duct
- Two powerful blowers capable of up to 1,200 CFM
- Four LED lamps brilliantly illuminate cooking area
- 33" deep - a must for proper capture ( Most grill installs are 6" from non combustible wall)
- Seamless, hand-crafted welded edges ensure strength and durability
- 304 Stainless steel exterior
- Commercial-grade, high luster baffle filters

### SPECIFICATIONS

**ELECTRICAL** 115VAC 60HZ 8.5 AMP

#### DIMENSIONS

H 18"  
W 36", 42", 48"  
D 33"

(Refer to illustration above)

#### RECOMMENDED MOUNTING HEIGHT

ABOVE COOKING 30" - 36"

#### DUCTING OPTIONS

10" Dia. Exhaust Top or Rear

### CLEARANCE TO COMBUSTIBLE CONSTRUCTION:

- If installed under any combustible construction the area above the cooking surface of the grill must be covered with an approved exhaust hood.
- It is highly recommended the hood be sized with a 3" overhang on all exposed sides.
- The exhaust hood shall provide no less than 1,200 CFM of proper exhaust ventilation.
- The exhaust hood must be approved for outdoor installation and used with a dedicated GFCI branch circuit.

