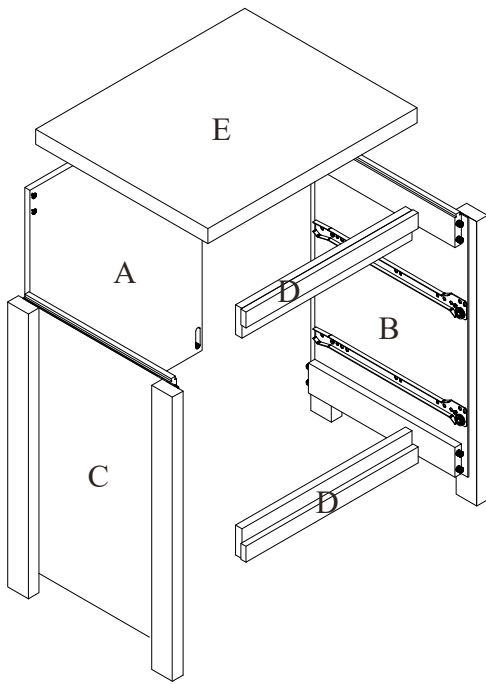


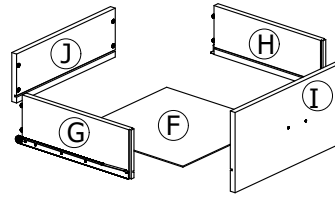
ASSEMBLY INSTRUCTIONS

DRAWER NIGHTSTAND

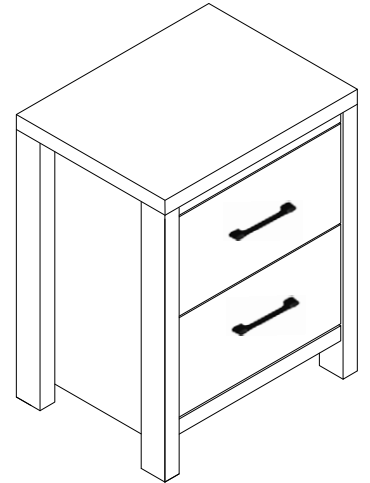
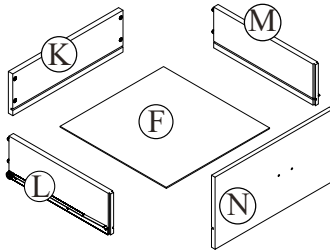
Scan for
Assembly
Video



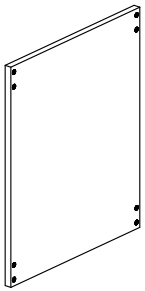
TOP DRAWER



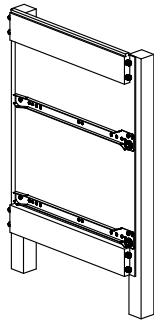
BOTTOM DRAWER



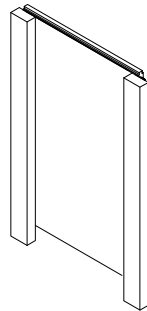
COMPLETED ASSEMBLY



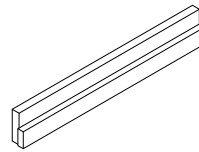
Ⓐ X 1PC



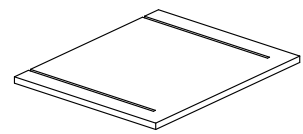
Ⓑ X 1PC



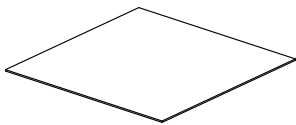
Ⓒ X 1PC



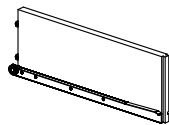
Ⓓ X 2PCS



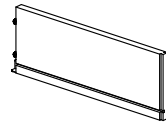
Ⓔ X 1PC



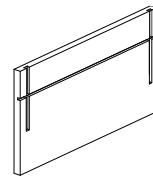
Ⓕ X 2PCS



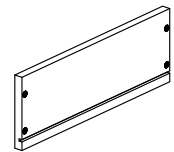
Ⓖ X 1PC



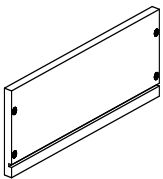
Ⓗ X 1PC



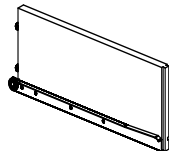
Ⓘ X 1PC



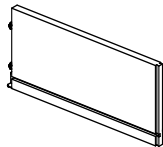
Ⓙ X 1PC



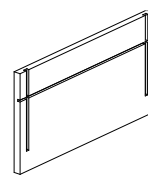
Ⓚ X 1PC



Ⓛ X 1PC



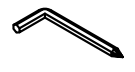
Ⓜ X 1PC



Ⓝ X 1PC



Ⓛ X 2SETS



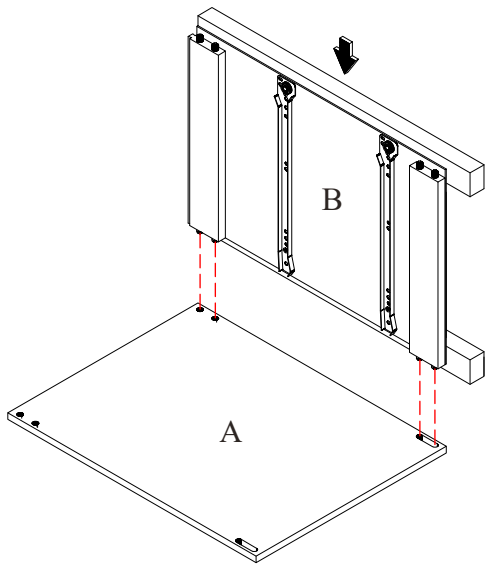
② X 1PC

There are no tools needed to assemble this 2 drawer nightstand

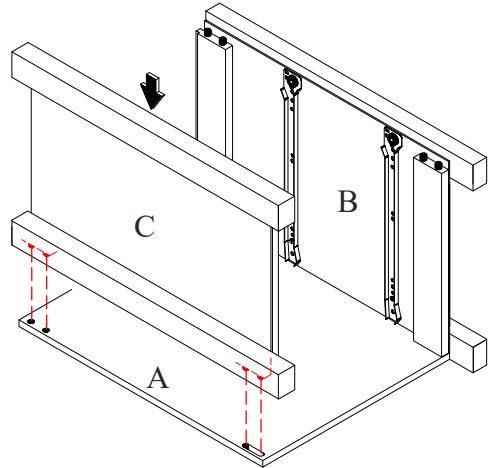
CLEANING INSTRUCTIONS

After assembly, clean and wipe with a damp cloth. Be sure to dry this paper veneer product after wiping. Never let water accumulate on the surface. Never let the unit sit in water or a moist environment.

1

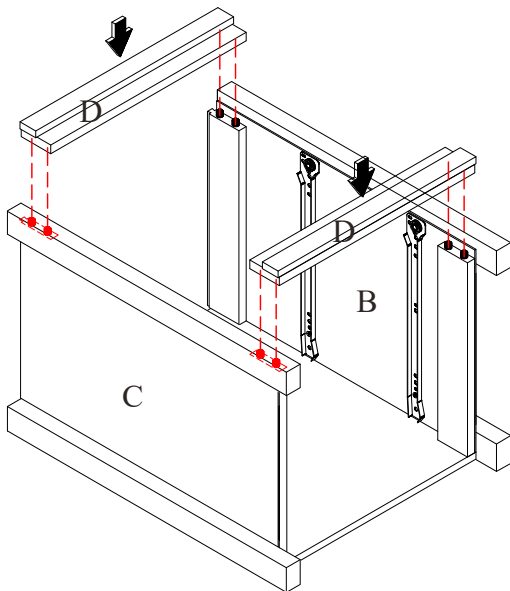


2



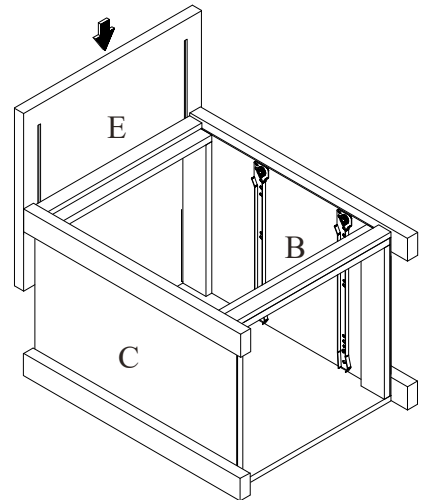
For each step, align the compress fit locking dowels with the corresponding receptor holes, then push them firmly into final locked position, please note once locked, these will not come back apart without potential damage

3

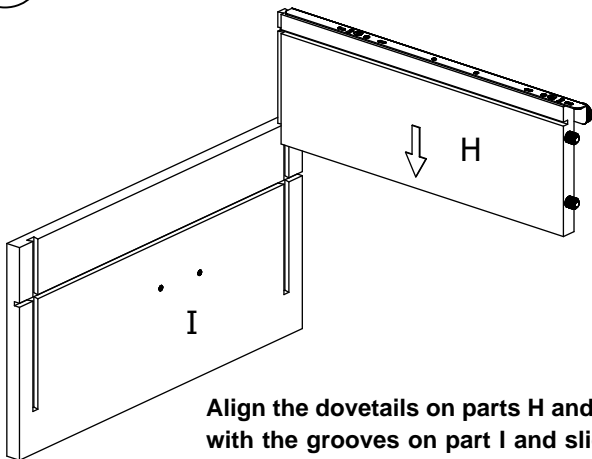


4

Align the grooves on part E with the dovetails on the tops of parts B & C, once aligned, simply slide part E into position

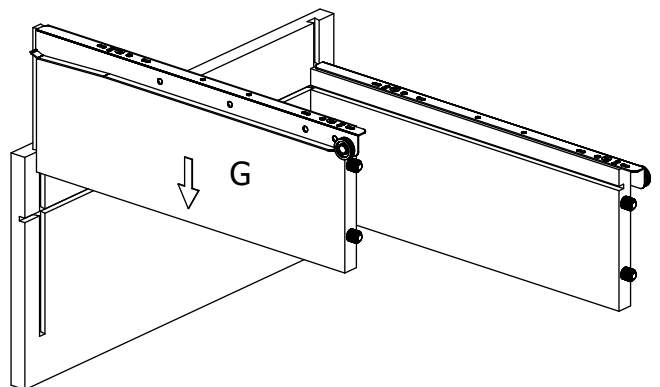


5

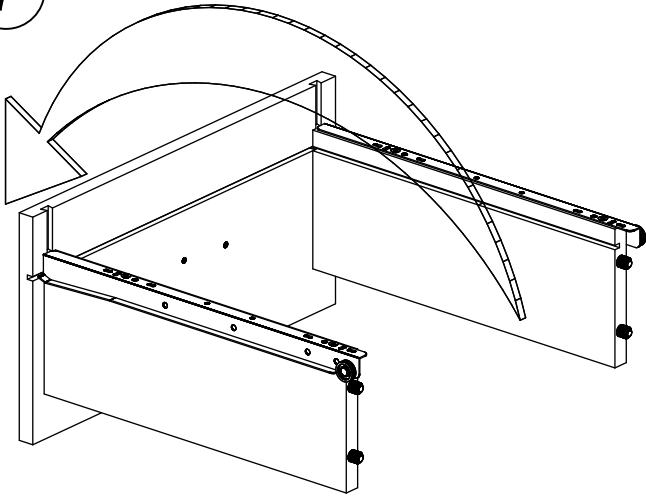


Align the dovetails on parts H and G with the grooves on part I and slide them gently into position

6

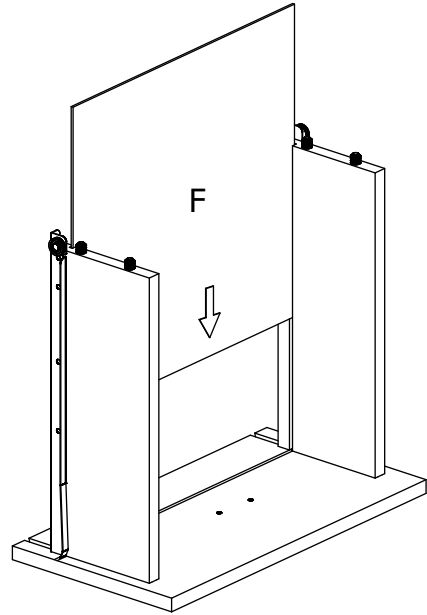


7

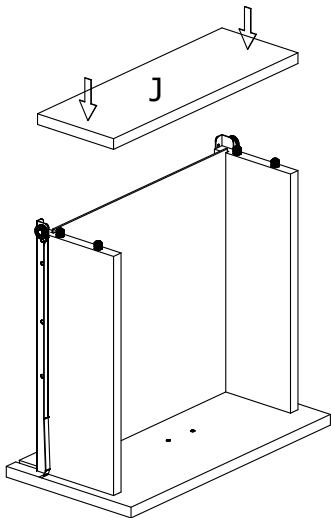


Rotate 90° for the next step assembly as shown

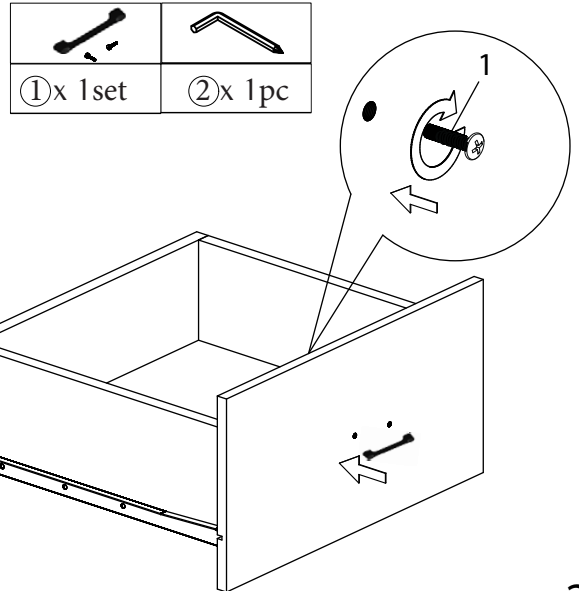
8



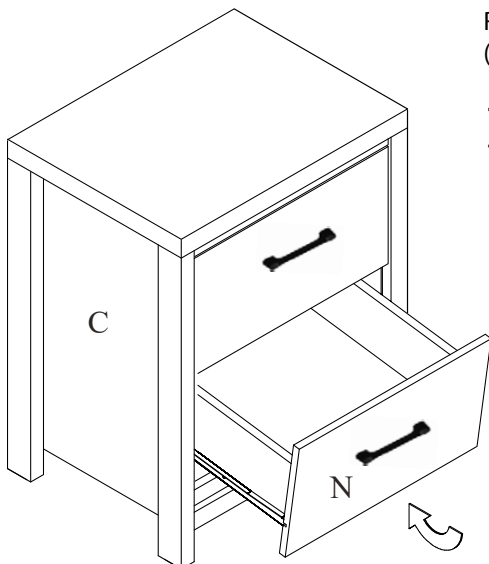
9



10



11



Repeat step 5 to 10 by using part F,K,L,M,N to assembly drawer (bottom) .

Tilt the completed drawer slightly to align the rail wheels with the fixed side rails, then slide them into place and your finished Nightstand is ready to use!