

User Manual

LED Floor Lamp

Introduction

Thank you for choosing our floor lamp. Please read this user manual carefully and keep it for future reference, If you need any assistance , please contact us with your order number and details.

Package Contents

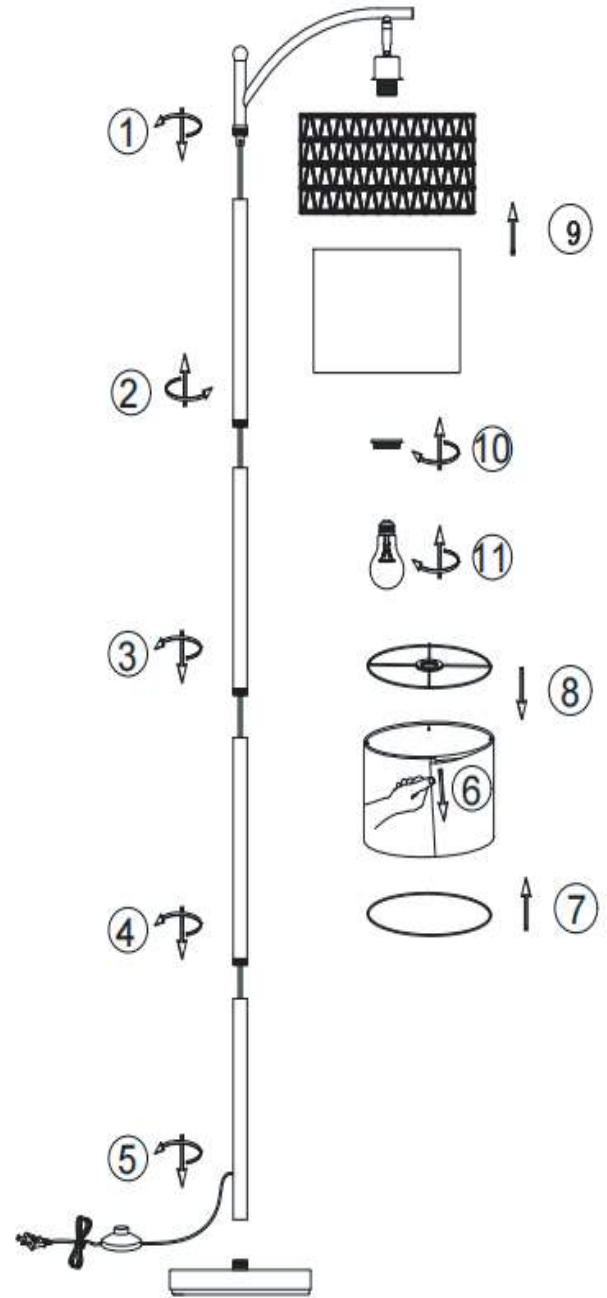
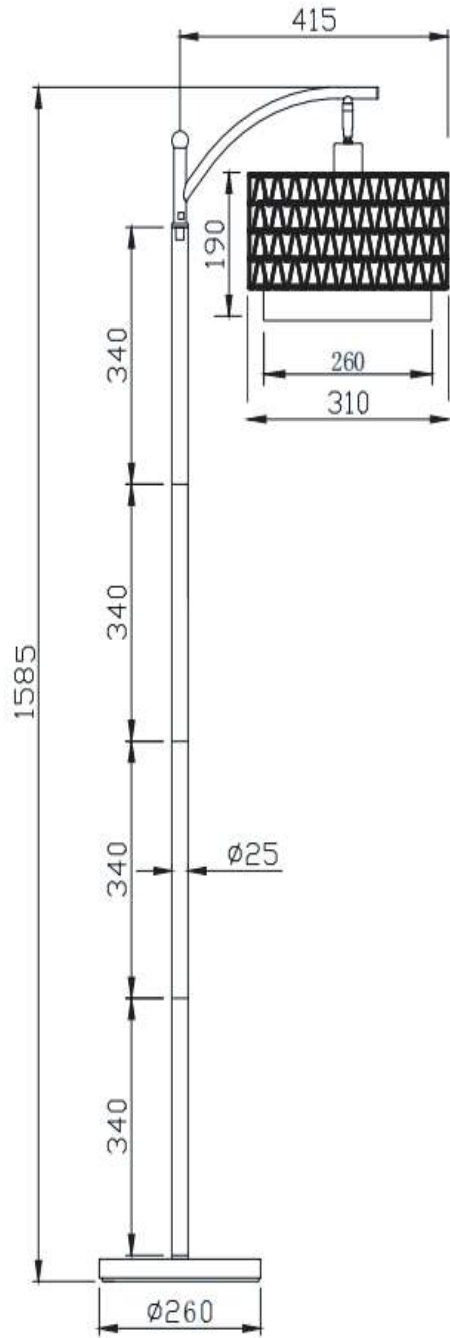
- LED Bulb x1
- Remote control x1
- Lamp base x1.
- User Manual x1
- Iron Pipes x5
- Two Shade and Two Metal Ring x1.
- AAA Bateries x2

Specification

LAMP	
Material	Metal +Fabric+PC
POWER	MAX 60W
Input Voltage	AC120V 60HZ
Size	D10.24"X H62.4"
Bulb	
Power	MAX 9W
LUMINOUS FLUX	800LM
DIMMABLE	10%-100%
Color Iemperature	3000K-6000K
Lifespan	30000H
Battcry of Control	AAA X2
Romote Distance	MAX49.2 ft
Input Voltage	AC120V 60HZ

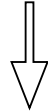
Product Structure

Installation

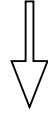


Carefully remove all parts from the box and remove all plastic coverings

Step ①-⑤: Insert all the poles through screw side by side as the image on the left



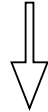
Step ⑥: Tape the Velcro of the lamp shade, make it a circle



Step ⑦: Install the single iron loop on the bottom



Step ⑧: Install the double iron loop on the top, the small loop down side



Step ⑨: Put the double lamp shade through the base



Step ⑩: Screw the screw ring to the bulb base through the bottom of the shade
(unscrew from the base firstly)

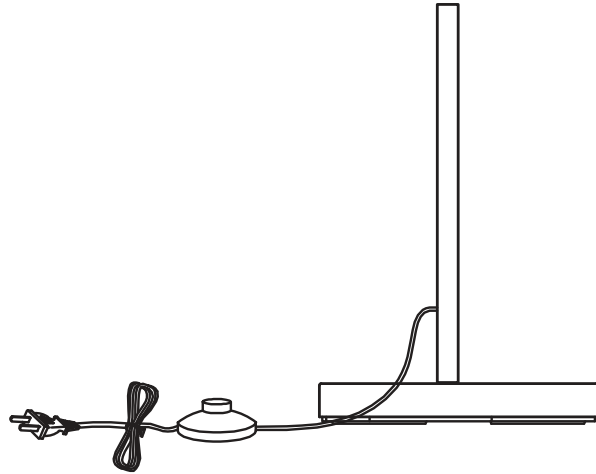


Step ⑪: Screw the E26 based bulb to the lamp base

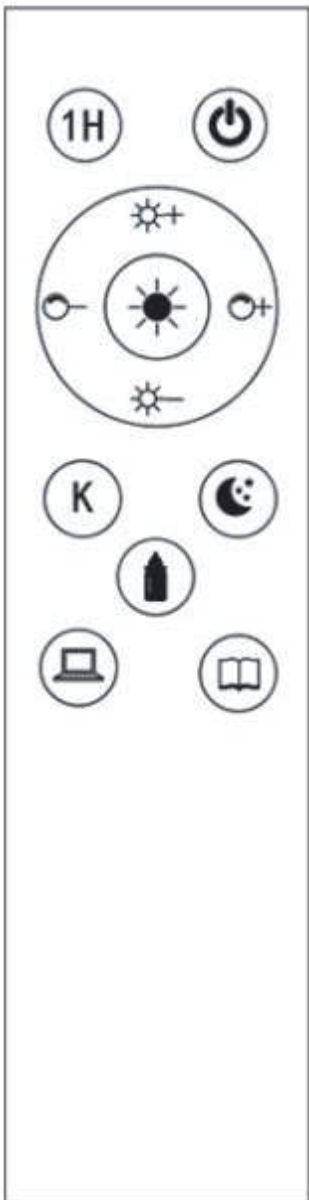
Usage

There are two ways to control : Foot switch control/Remote control

Foot switch ON/ OFF



Remote Control



- ①H Set a 1h timer (Light get several flickers mean 1h timer is successful set)
- ⏻ Short press to tum on/off light.
- ⊕ Short/Long press to enhance the CCT (3000K to 6000K) as you like.
- ⊖ Short/Long press to lower the CCT (6000K to 3000K) as you like.
- ☀ Short press to be the max brightness and CCT immediately.
- ☀+ Short/Long press to enhance the brightness as you like.
- ☀- Short/Long press to lower the brightness as you like.
- Ⓚ Short press to Adjust Color Temperature 3 Levels.
- 📖 Short press to enter reading mode.
- 👶 Short press to enter breastfeed mode.
- 🌙 Short press to enter night light mode.
- 💻 Short press to enter work mode.

When can you use the remote control?

A 9w 800Lumens intelligent bulb is included in the package. You may use regular bulb to replace the intelligent bulb if you prefer that. Please note that regular bulb cannot match the remote control. Need to repair the remote control and bulb if you replace one of them. Please check the repair method below.

Foot switch is the prerequisite for remote control. Make sure you have turned on the lamp with the foot switch when you using the remote for turning on/off, changing the CCT, modes and timer.

Remote control cannot be used if foot switch is turning off status.

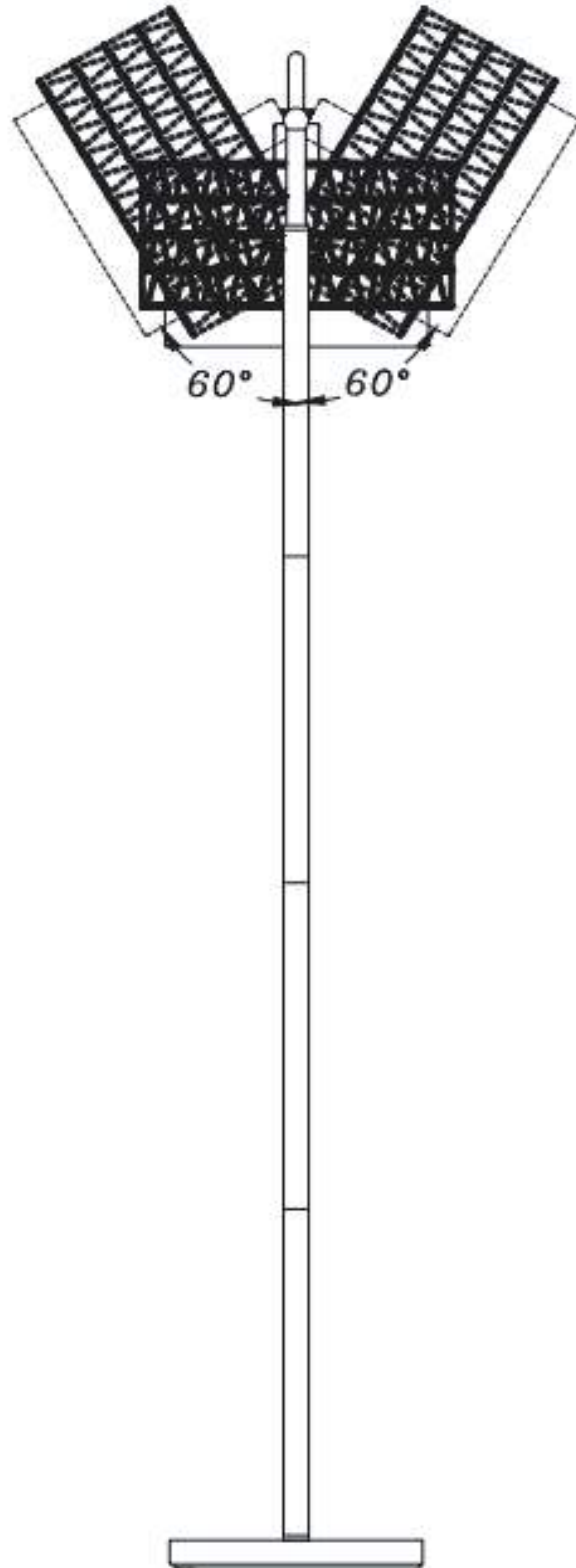
How to repair the remote control and the bulb if the remote is not working?

Long press the '⏻' button on the remote control and turn on the lighting by foot switch at the same time. When you see the bulb flashes, it means the matching process is completed and you can use the remote now.

Please contact us if the remote still doesn't work after this.

How to adjust the lighting angle?

60 degree adjustable at the lamp holder:



Product Care

- Please do not bend violently the lamp head to avoid damage when adjusting the angle of the lamp.
- Please read the user manual before use.
- Suggest indoor use . It is non waterproof .Do not use this product in humid environments or at high temperatures.
- Cut off the power when cleaning it or not using it.
- Do not use it exceed the voltage , the proper voltage for US is AC110- 120V.60Hz.
- Please stop use it if there is any defective issues found in the product.

Guarantee

our standing floor lamp is backed by 12MONTHS product warranty.For questions ,assistance , or support , please contact the Customer Service with your order number and product model number. We will send you future information about the return or the exchange.