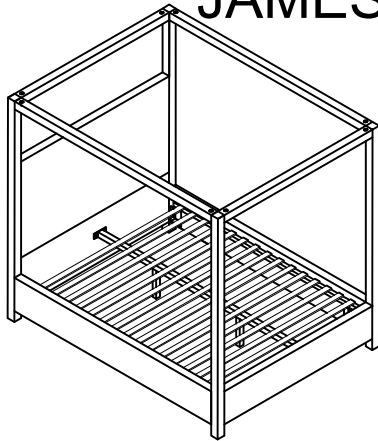


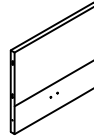
# ASSEMBLY INSTRUCTIONS JAMES BED - FULL

**meridian.**  
furniture

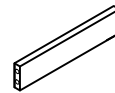


## + Parts Included

① Head Board (1pc)



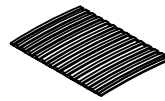
② Foot Board (1pc)



③ Side Rails (2pcs)

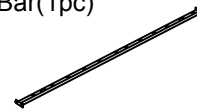


④ Slats joint (1set=12pcs)



\*Slats come packed in the bottom of headboard carton.

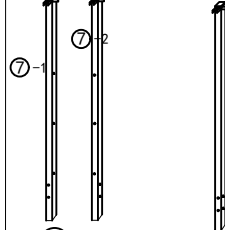
⑤ Center Support Bar (1pc)



⑥ Support Legs (2pcs)



⑦ Bar 2pcs ⑧ Bar 2pcs



⑨ Bar 2pcs



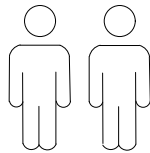
⑩ Bar 2pcs



**+ Do Not Use Power Tools**



**+ Suggested Adults**



NOTE: For questions about parts or assembly please email [support@meridianfurnitureusa.com](mailto:support@meridianfurnitureusa.com) or call us at 718-758-4455.

- 1 Read instructions cover to cover.
- 2 Save all packaging until assembly is completed.

## 1 IMPORTANT SAFETY INFORMATION

Do not assemble the product if any of the following parts arrived damaged:

- Part #③ -Side Rails
- Part #④ -Slats joint
- Part #⑤ -Center Support Bar
- Part #⑥ -Support Legs

## 2 IMPORTANT ASSEMBLY INFORMATION

Assembly Step ⑦ Ensure the side rail bracket is fully hooked onto bolt **A** loosely threaded with both washers on the **OUTSIDE** of the bracket first, then proceed to fully tightening all 4 corners.

\*Slats come packed in the bottom of headboard carton.

## + Hardware Included

A Bolt M8\*30mm (16pcs)



B M8\*70mm (18pcs)



E Flat Washer  $\varnothing 22$  (34pcs)



F M8 Allen Key (1pc)



I Nut M8\*13mm (22pcs)

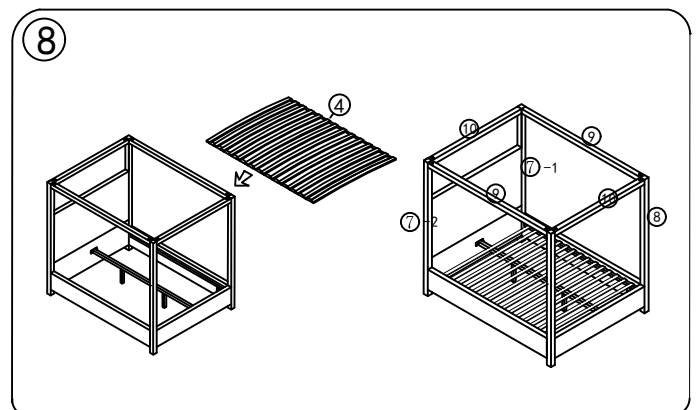
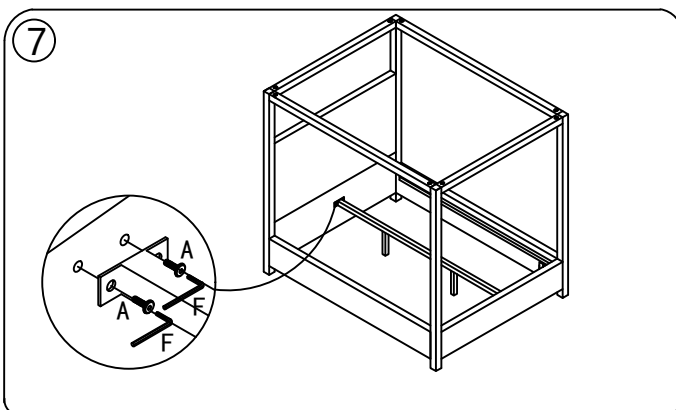
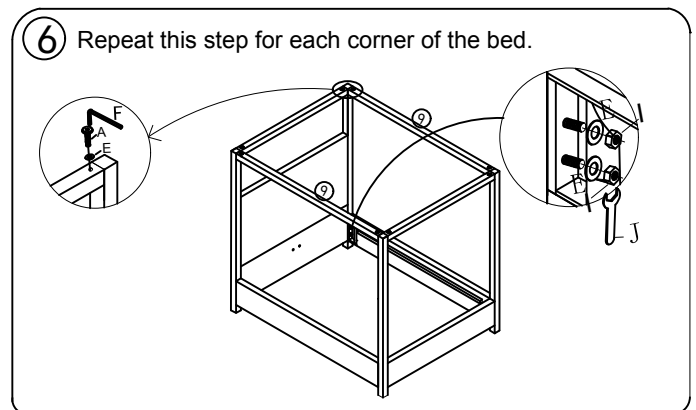
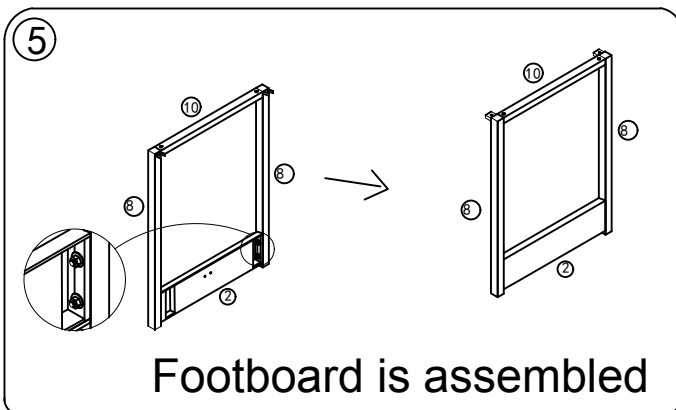
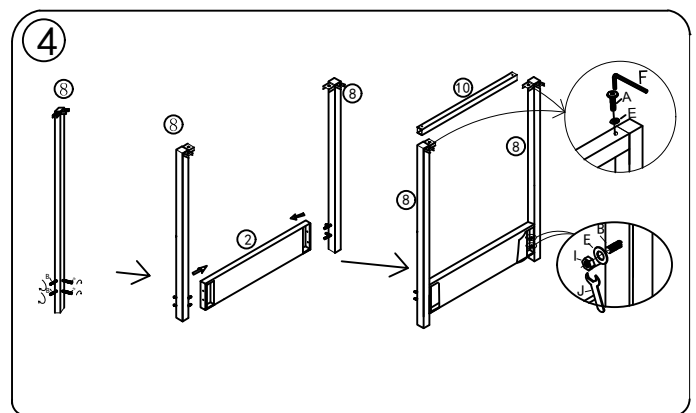
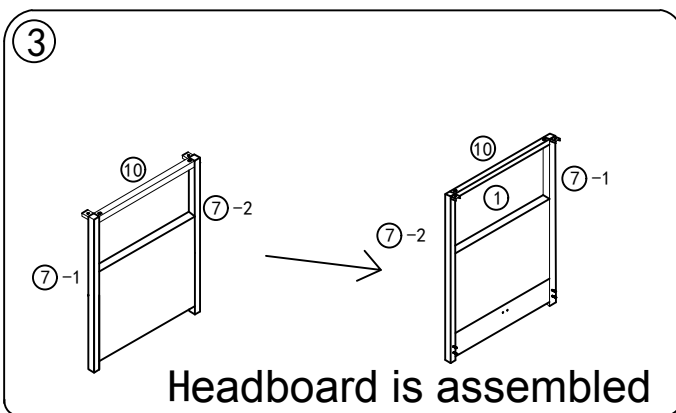
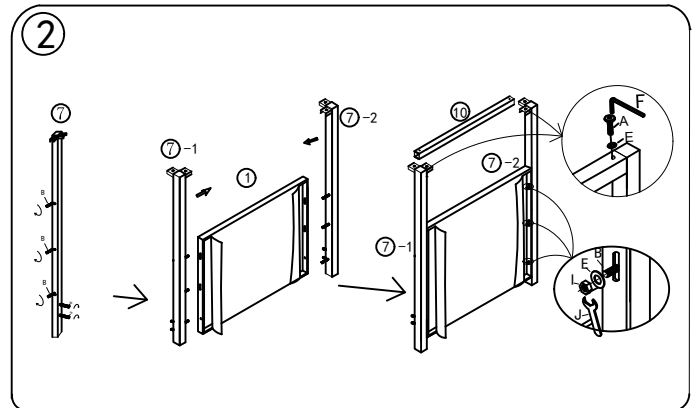
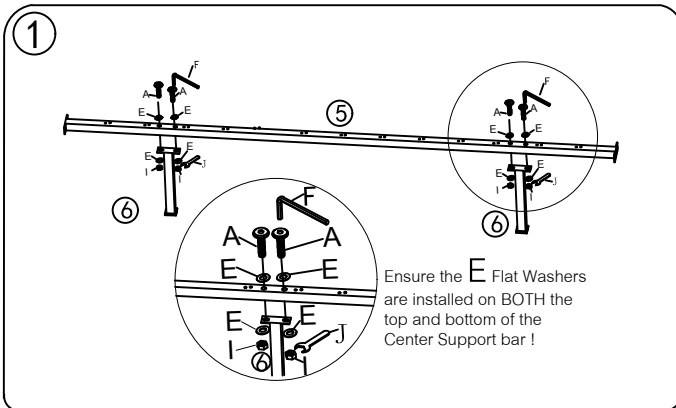


J Spanner (1pc)



# ASSEMBLY INSTRUCTIONS JAMES BED - FULL

**meridian.**  
furniture



**NOTE:** For questions about parts or assembly please email [support@meridianfurnitureusa.com](mailto:support@meridianfurnitureusa.com) or call us at 718-758-4455.

[www.MeridianFurnitureUSA.com](http://www.MeridianFurnitureUSA.com) | [support@meridianfurnitureusa.com](mailto:support@meridianfurnitureusa.com)