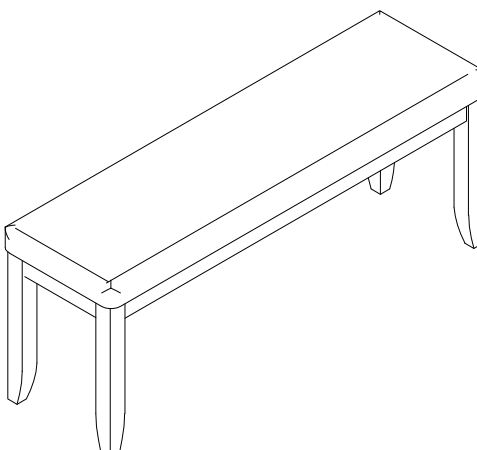


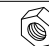





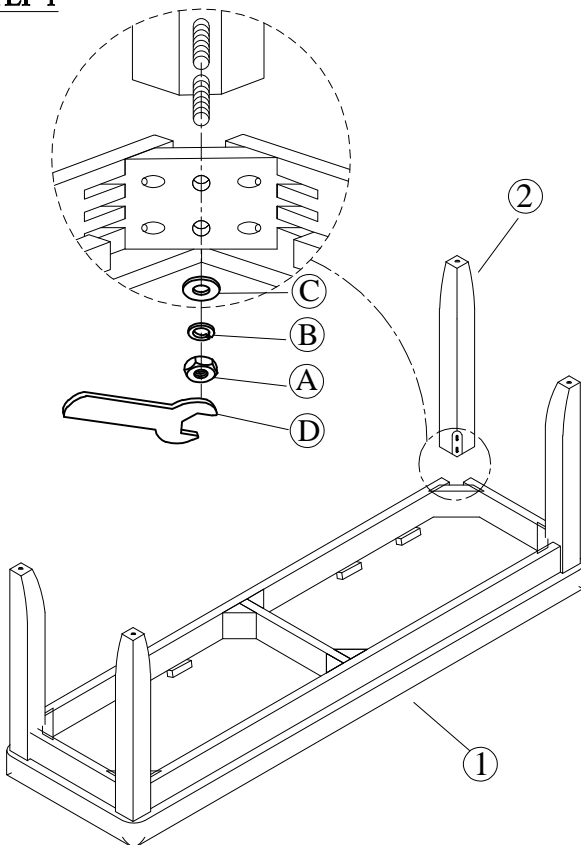
# ASSEMBLY INSTRUCTION

## DESCRIPTION: UPH DINING BENCH

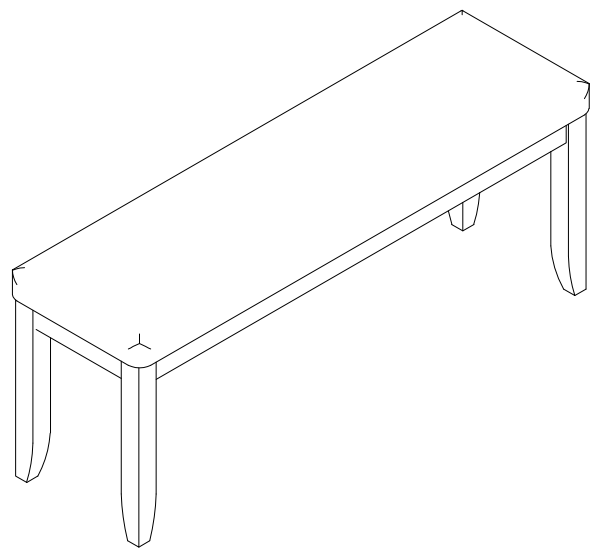
Thank you for purchasing this quality product. Be sure to check all packing material carefully for small parts, which may have come loose inside the carton during shipment. Identify and count all parts and compare with the parts list below.

	PARTS LIST			
	NO	DRAWING	DESCRIPTION	QTY
	1	Bench Top		1
	2	Leg		4
	HARDWARE LIST			
NO	DRAWING	DESCRIPTION	QTY	
A		Hex Nut Ø5/16	8	
B		Spring Washer Ø5/16"xØ13mm	8	
C		Flat Washer Ø5/16"xØ19mm	8	
D		Open wrench 12mm	1	

### STEP 1



### STEP 2



# Dining Bench Assembly Tips

Having some trouble putting together your new furniture? we can help! The key to correct chair assembly is to loosely attach all of the bolts, then gradually tighten them in succession until all of them are secure. Completely tightening one or more bolts prematurely can result in the following:

## ISSUE: DINING BENCH IS UNLEVELED

Cause:

. Dining bench can be wobbly or unlevelled if one or more bolts are fully tightened before all bolts are attached and/or tightened.

Solution:

. Loosen each bolt in the seat box ( front legs, back corner- blocks, and back apron) until they're finger tight. Place the chair upright on the floor. Press firmly and evenly on the seat edges until the product sits level but do not lean against the chair back. Once the chair sits level on the desired surface, fully tighten each bolt.

Cause:

.Dining bench can be wobbly or unlevelled if assembly is completed in a different room or surface than where the product is intended to primarily reside.

Solution:

When assembling your chair, make sure to do it in the location that the chair will most often be used. Uneven flooring frequently accounts for wobbling issues.

## ISSUE: HOLES ARE MISALIGNED

Cause:

.This issue can occur when some bolts are tightened fully before all other bolts are tightened or attached.

Solution:

.Loosen each bolt in the seat box (front legs, back corner-blocks, and back apron) until finger tight. This will allow you to realign the holes and properly fasten the bolts to the frame.

Loosen Bolts unit  
adjustable by hand

