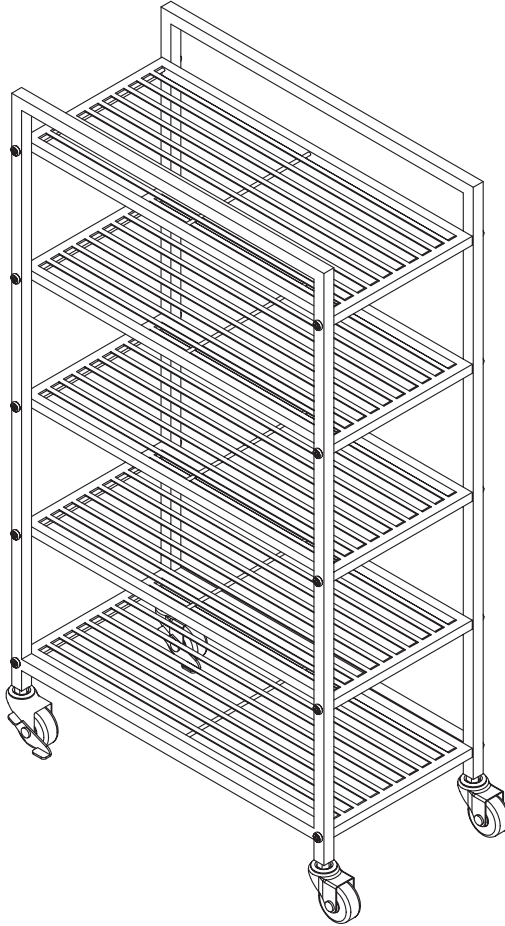




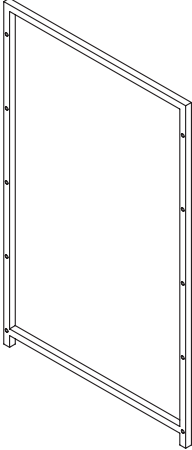
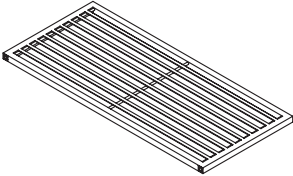

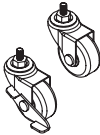


BTH-09096

# space saver rolling cart



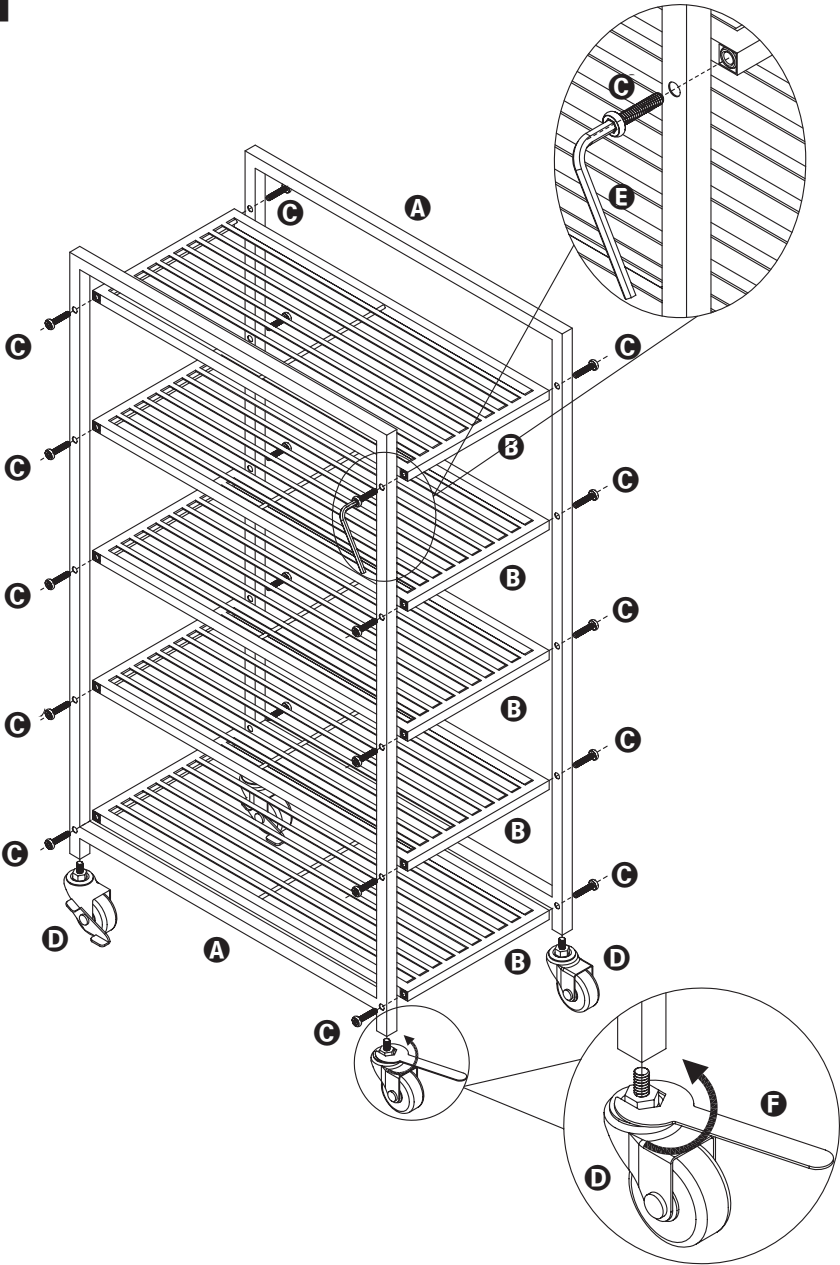
**15.75 in L x 8 in W x 28 in H**

# PARTS LIST

PART/ILLUSTRATION	(QTY)	DESCRIPTION
<b>A</b> 	( 2 )	vertical frame
<b>B</b> 	( 5 )	shelves
<b>C</b> 	( 20 )	round hex screws
<b>D</b> 	( 4 )	2 casters 2 locking castors
<b>E</b> 	( 1 )	hex screw driver
<b>F</b> 	( 1 )	hex wrench

# ASSEMBLY

1





YOUR SOURCE FOR  
ORGANIZATION,  
STORAGE & STYLE

**Honey-Can-Do International**

5300 St. Charles Road, Berkeley, IL 60163 USA

877.242.2636 | [honeycando.com](http://honeycando.com) | [customerservice@honeycando.com](mailto:customerservice@honeycando.com)

©2020 Honey-Can-Do International, LLC | All Rights Reserved

Visit [youtube.com/myhoneycando](https://www.youtube.com/myhoneycando) to watch our assembly videos.