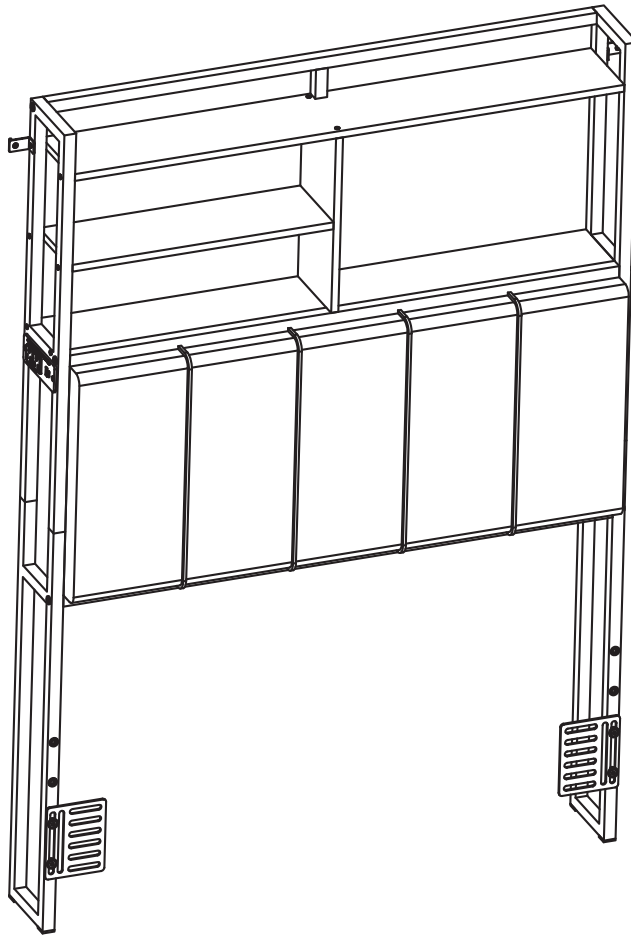

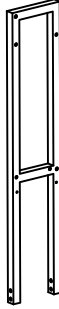
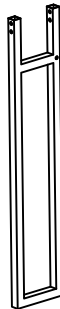
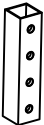
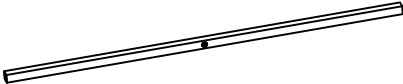

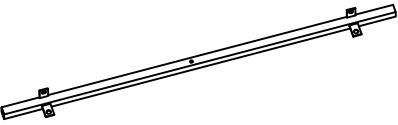

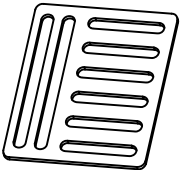
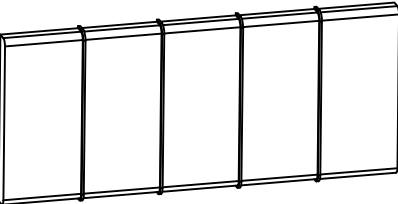
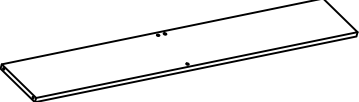
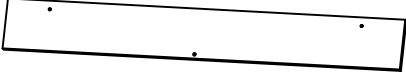
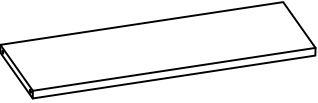
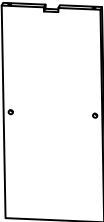
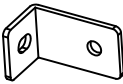



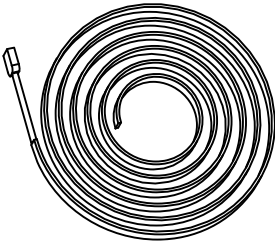
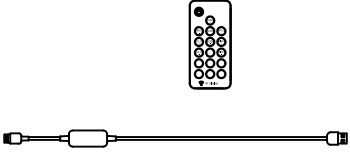









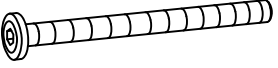
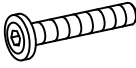

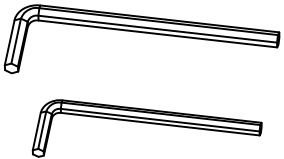
Owner Manual



Parts List:

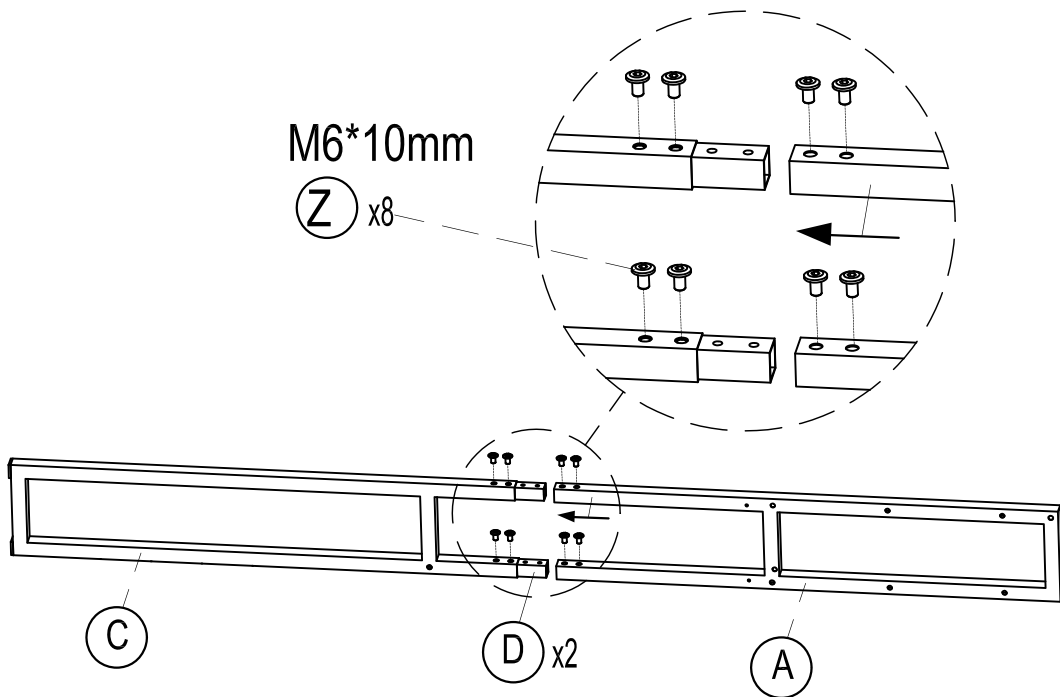
<p>A</p>  <p>1pcs</p>	<p>B</p>  <p>1pcs</p>	<p>C</p>  <p>2pcs</p>
<p>D</p>  <p>4pcs</p>	<p>E</p>  <p>1pcs</p>	<p>F</p>  <p>1pcs</p>
<p>G</p>  <p>1pcs</p>	<p>H</p>  <p>1pcs</p>	<p>I</p>  <p>2pcs</p>
<p>J</p>  <p>1pcs</p>	<p>K</p>  <p>1pcs</p>	<p>L</p>  <p>1pcs</p>
<p>M</p>  <p>1pcs</p>	<p>N</p>  <p>1pcs</p>	<p>O</p>  <p>2pcs</p>

Parts List:

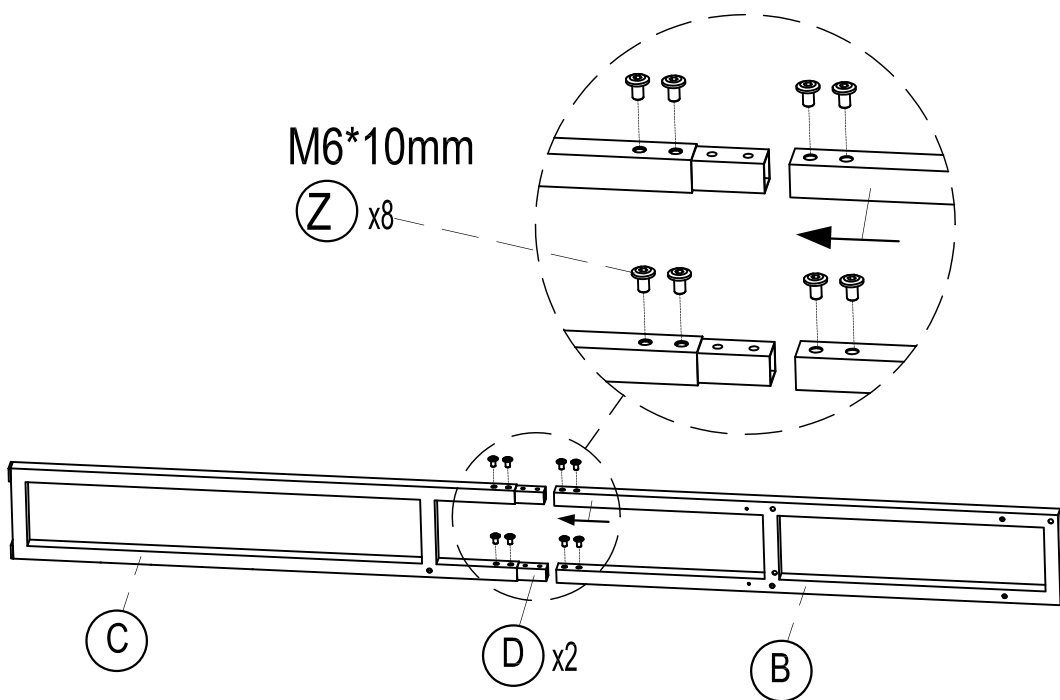
<p>P 1pcs</p> 	<p>Q 1pcs</p> 	<p>R 1pcs</p> 
<p>S 1pcs</p> 	<p>T 4pcs</p> 	<p>U 10pcs</p>  <p style="text-align: center;">M2.6*10mm</p>
<p>V X2</p>  <p style="text-align: center;">M4*10mm</p>	<p>W X11</p>  <p style="text-align: center;">M5*35mm</p>	<p>X 5pcs</p>  <p style="text-align: center;">M5*25mm</p>
<p>Y 2pcs</p>  <p style="text-align: center;">M4*30mm</p>	<p>Z 18pcs</p>  <p style="text-align: center;">M6*10mm</p>	<p>A1 4pcs</p>  <p style="text-align: center;">M6*12mm</p>
<p>B1 1pcs</p>  <p style="text-align: center;">M6*75mm</p>	<p>C1 6pcs</p>  <p style="text-align: center;">M6*35mm</p>	<p>D1 4pcs</p>  <p style="text-align: center;">M8*15mm</p>
<p>E1 1pcs</p> 		

ASSEMBLY

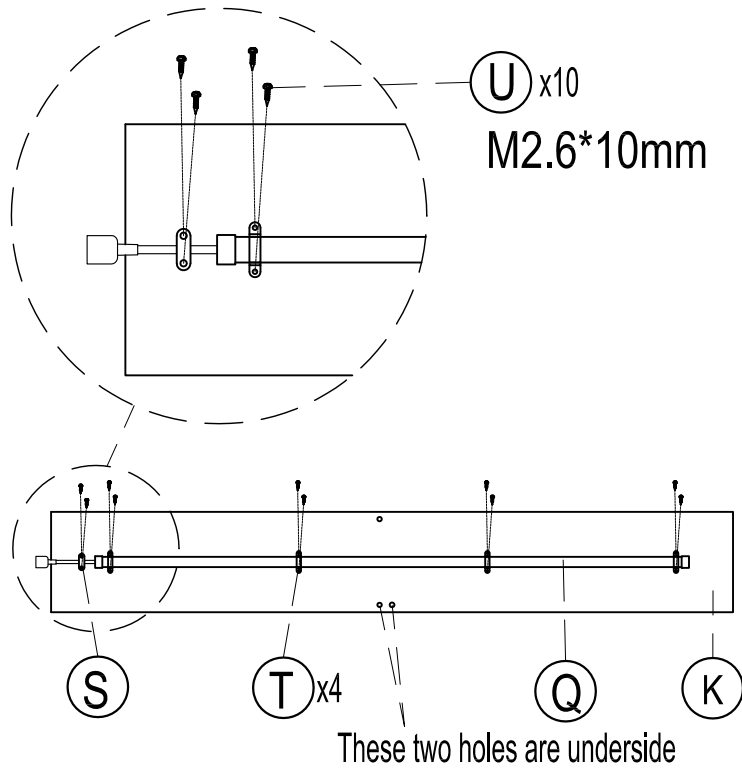
STEP 1



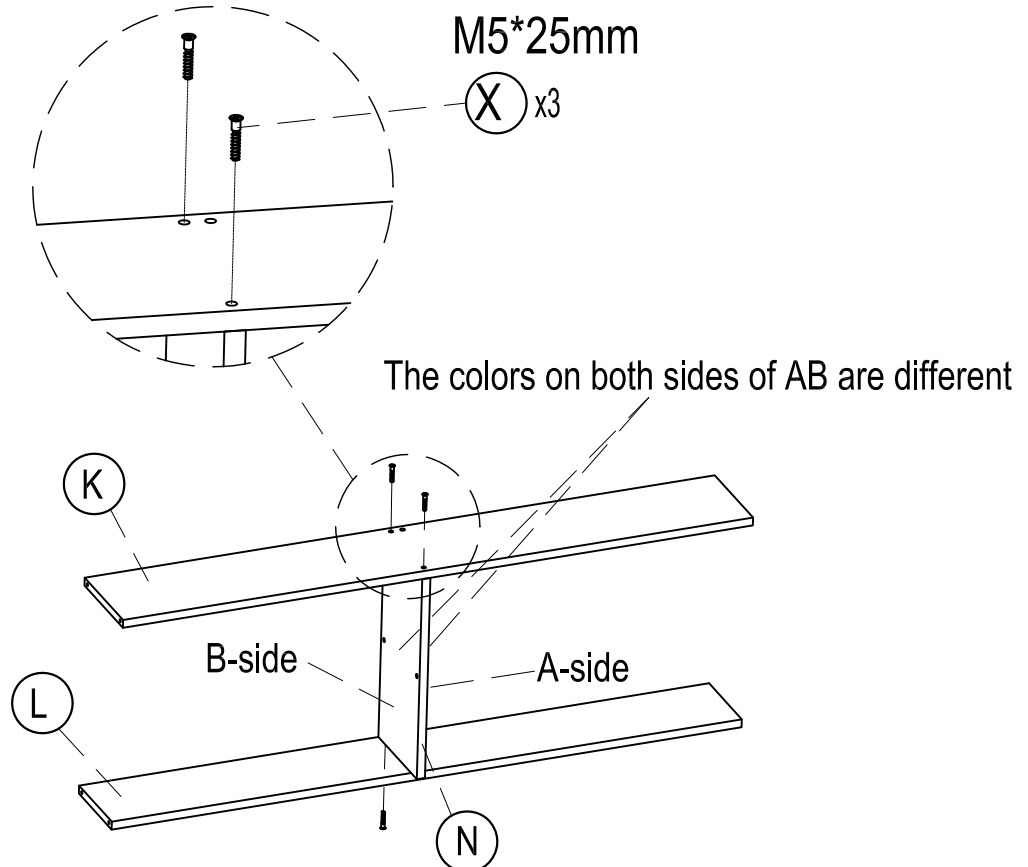
STEP 2



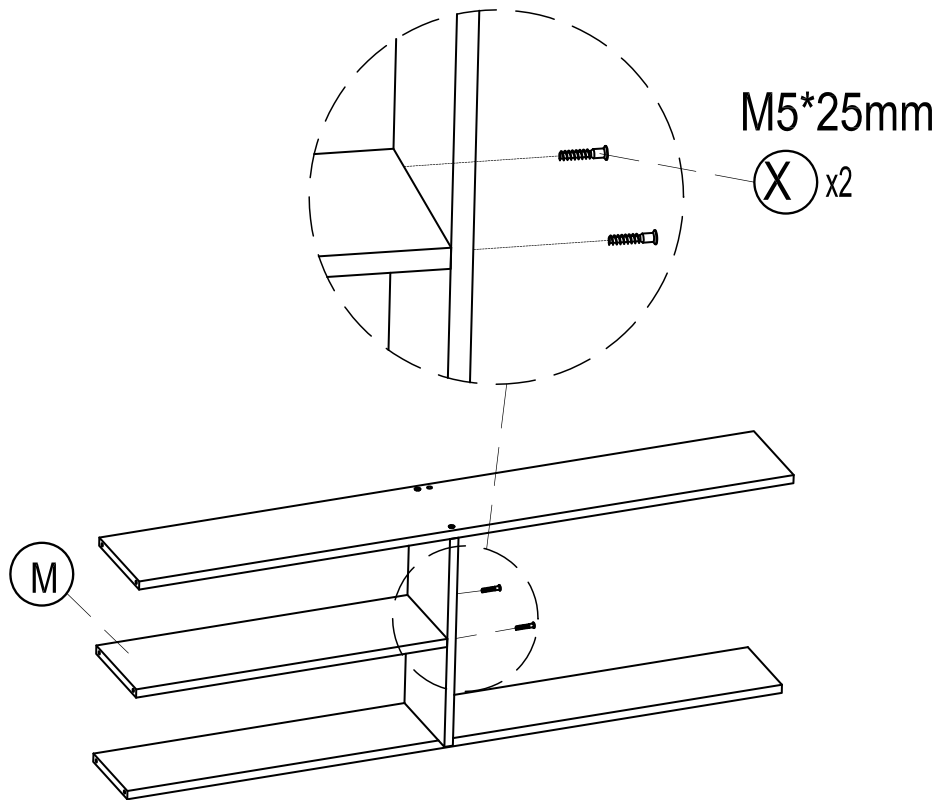
STEP 3



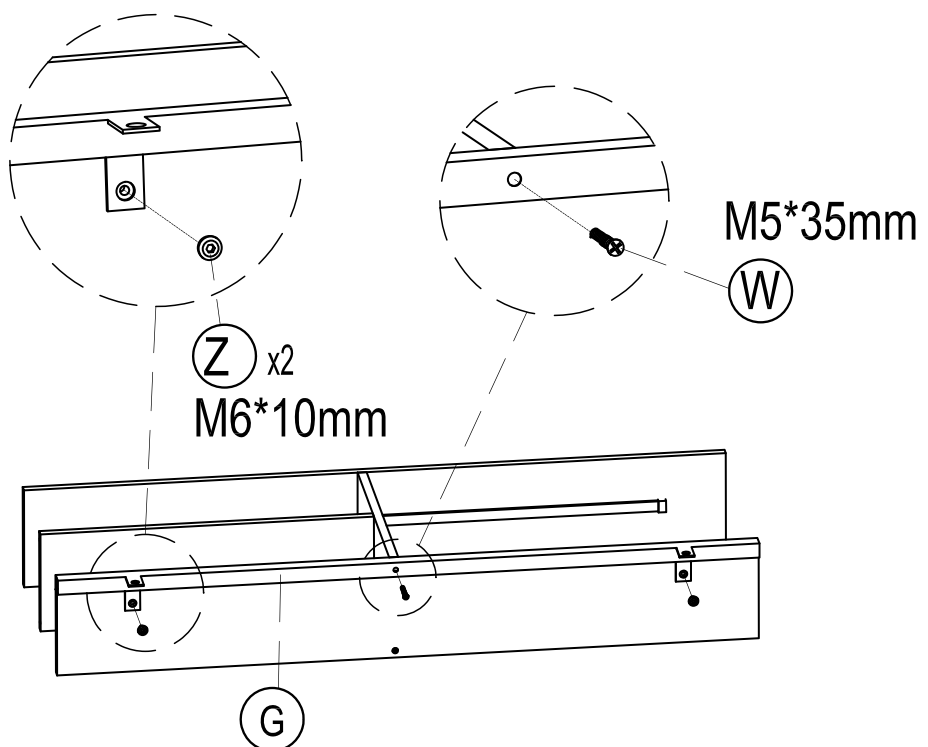
STEP 4



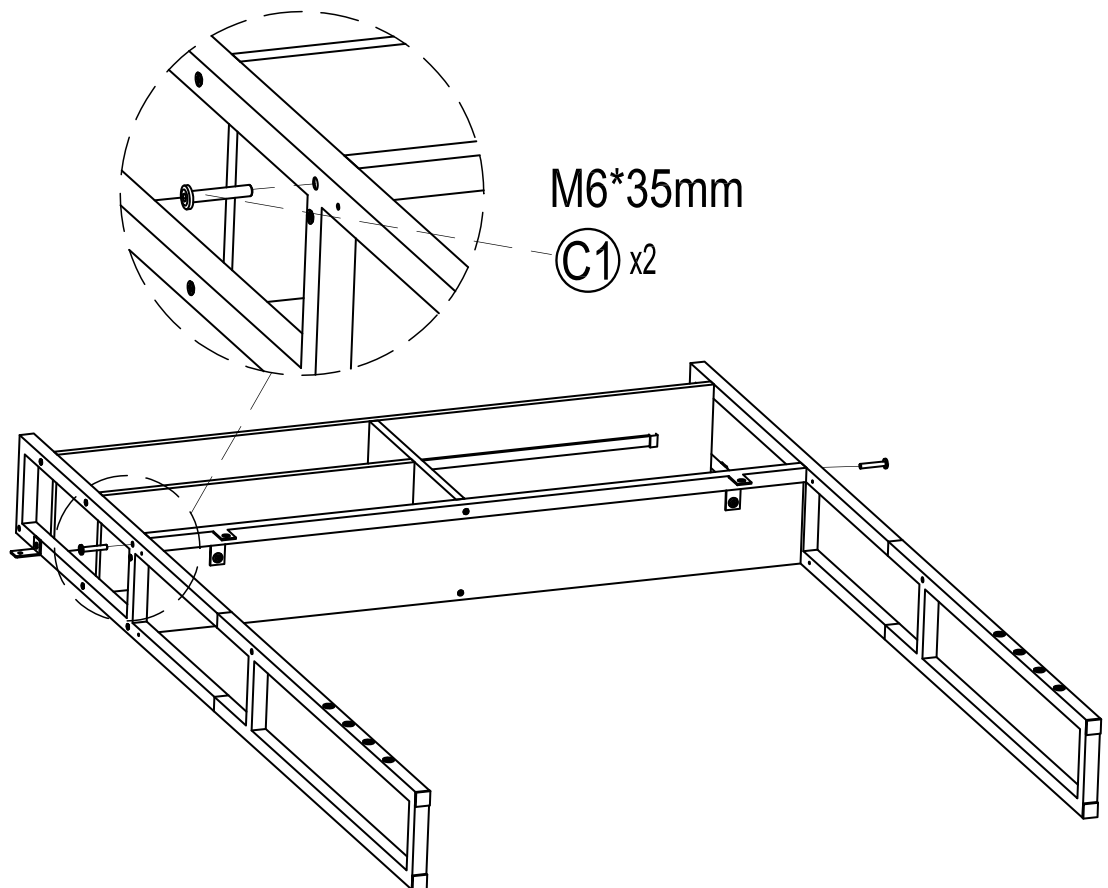
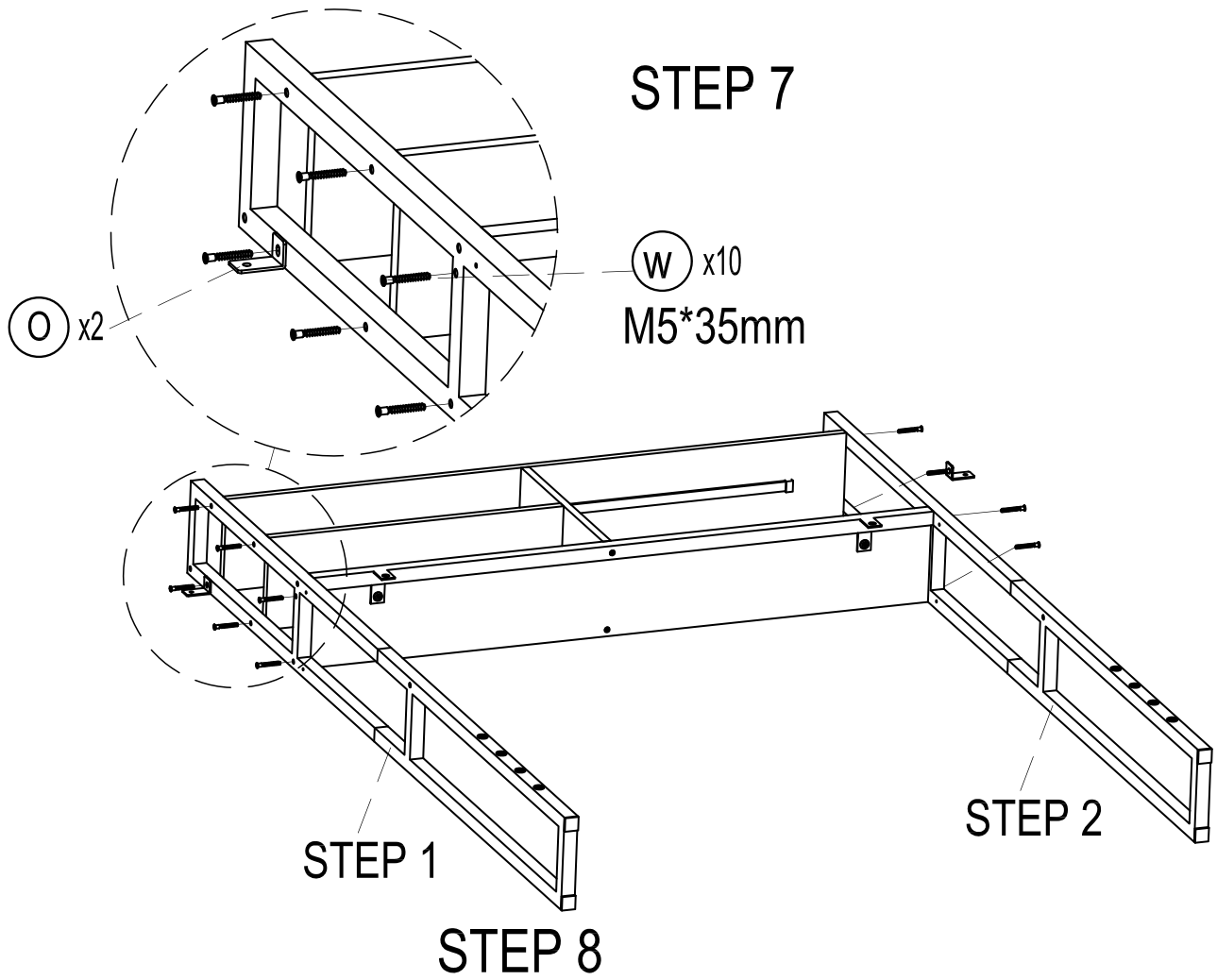
STEP 5



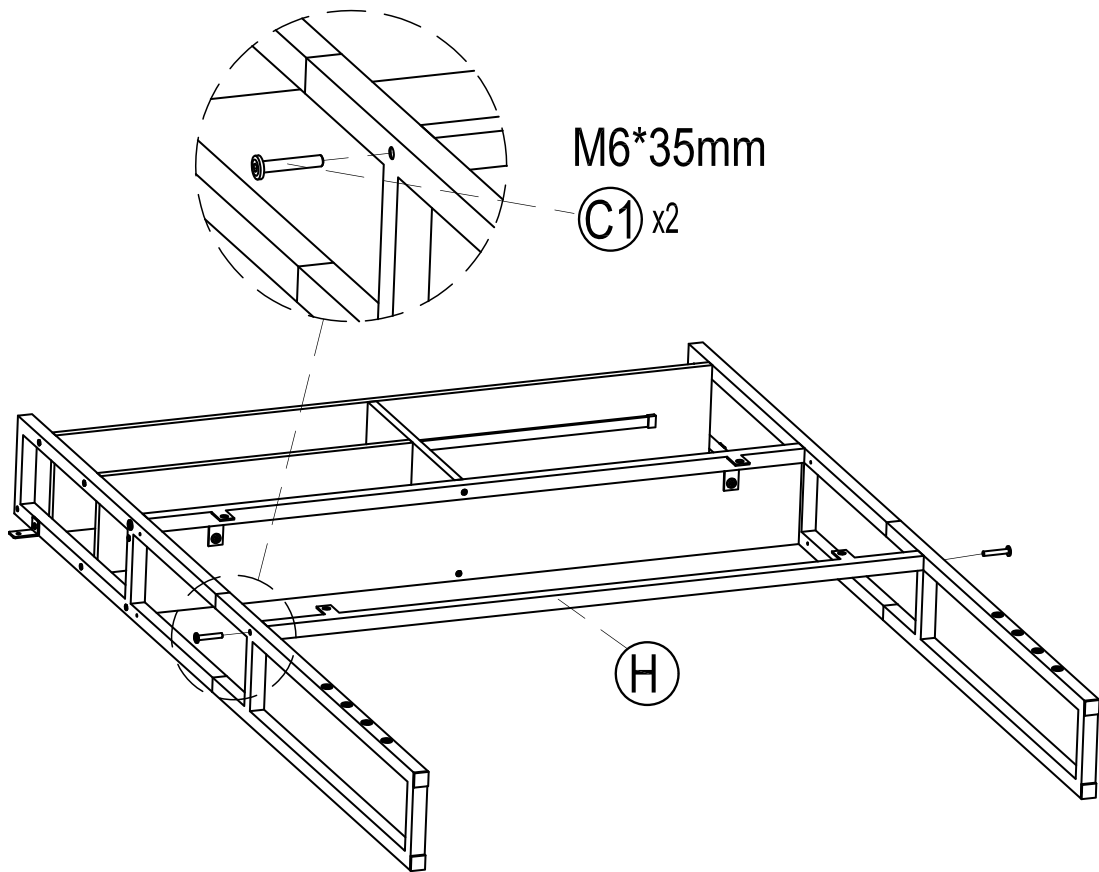
STEP 6



STEP 7

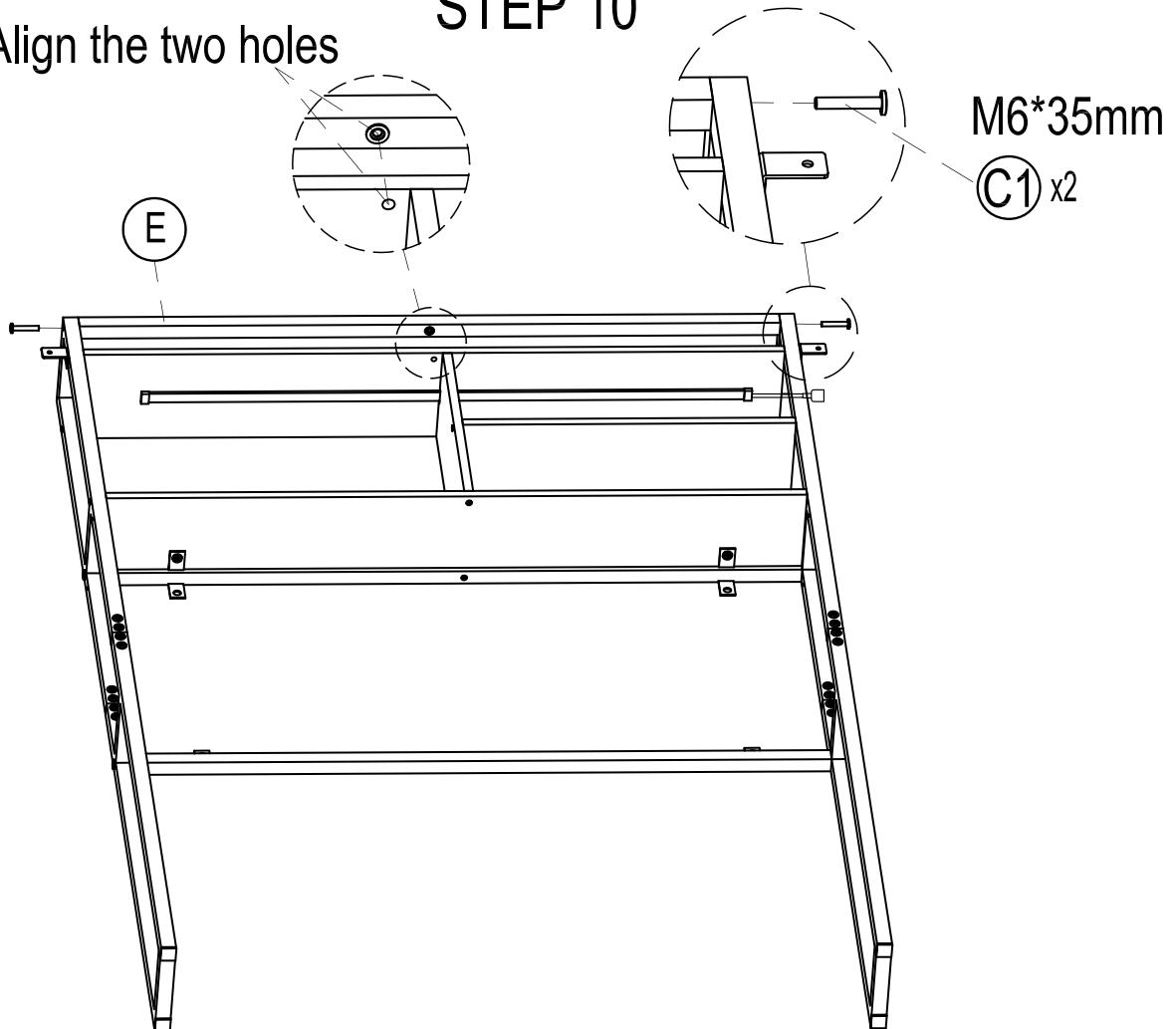


STEP 9

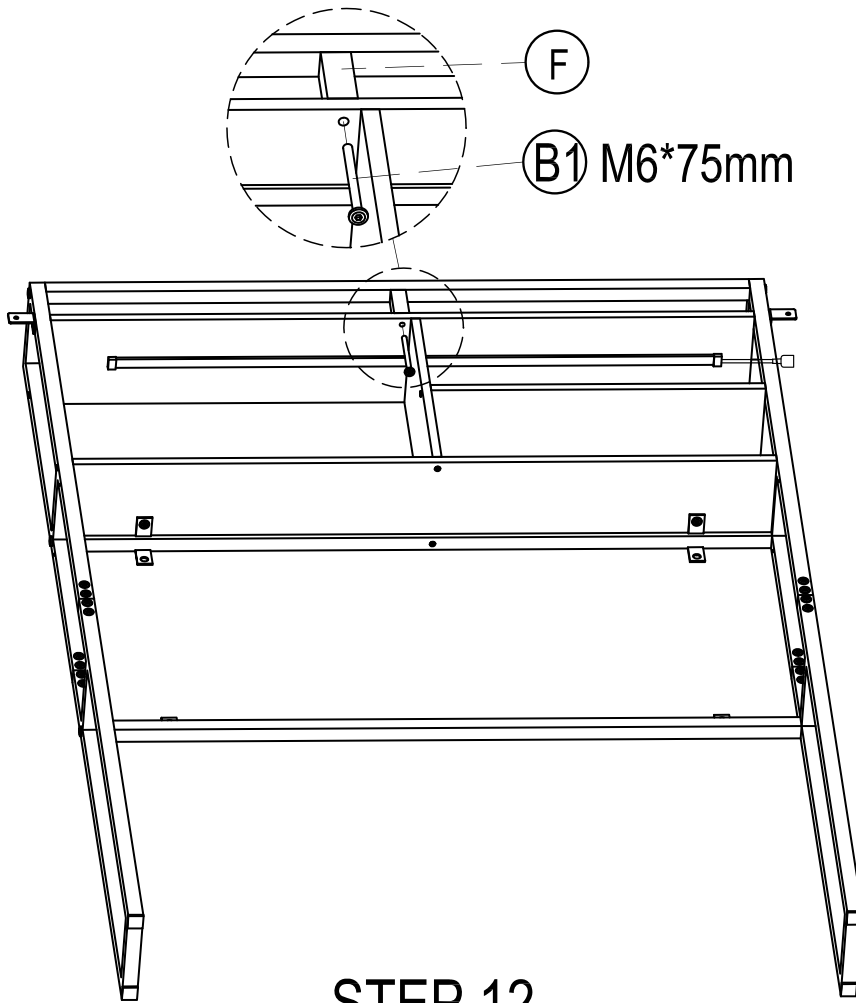


STEP 10

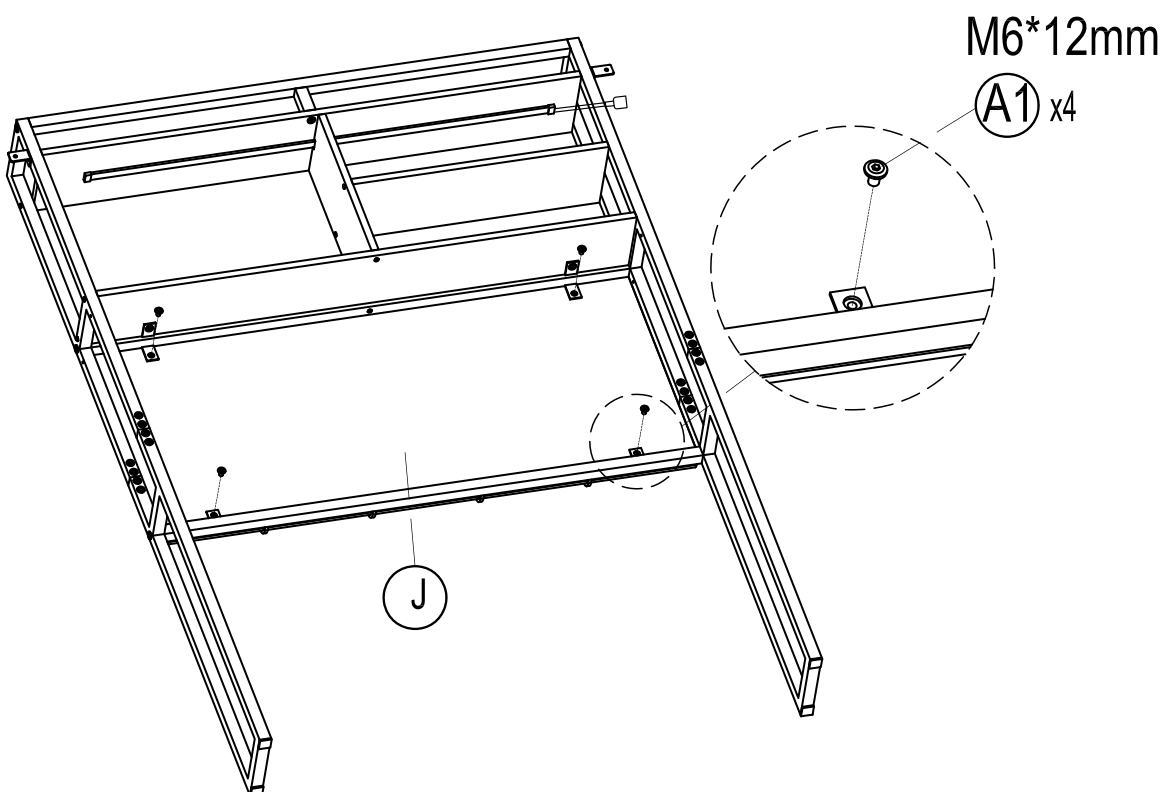
Align the two holes



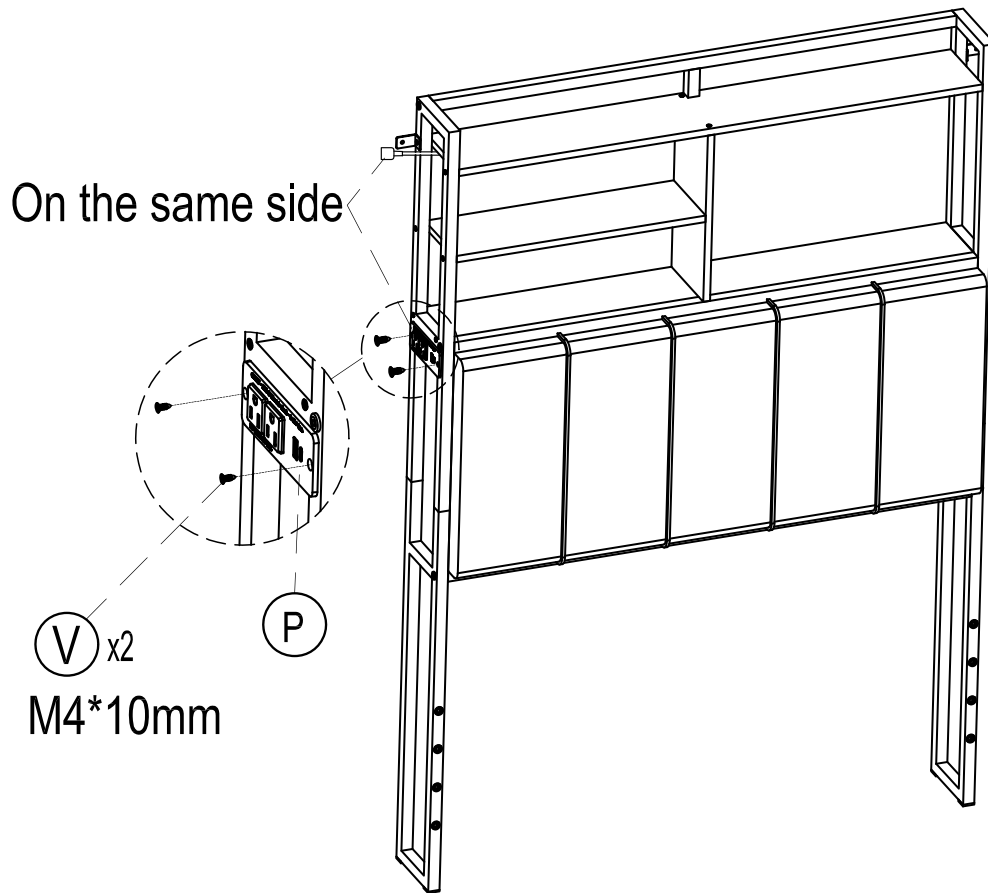
STEP 11



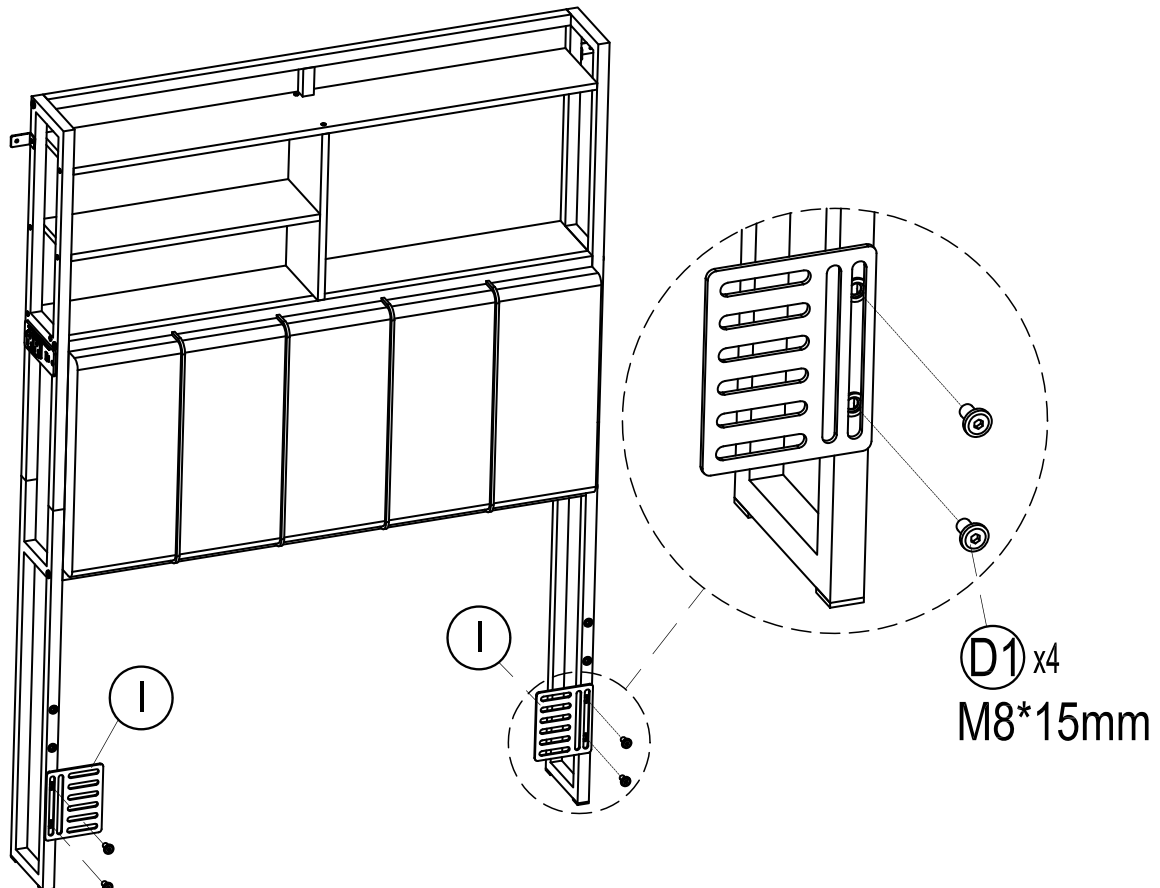
STEP 12



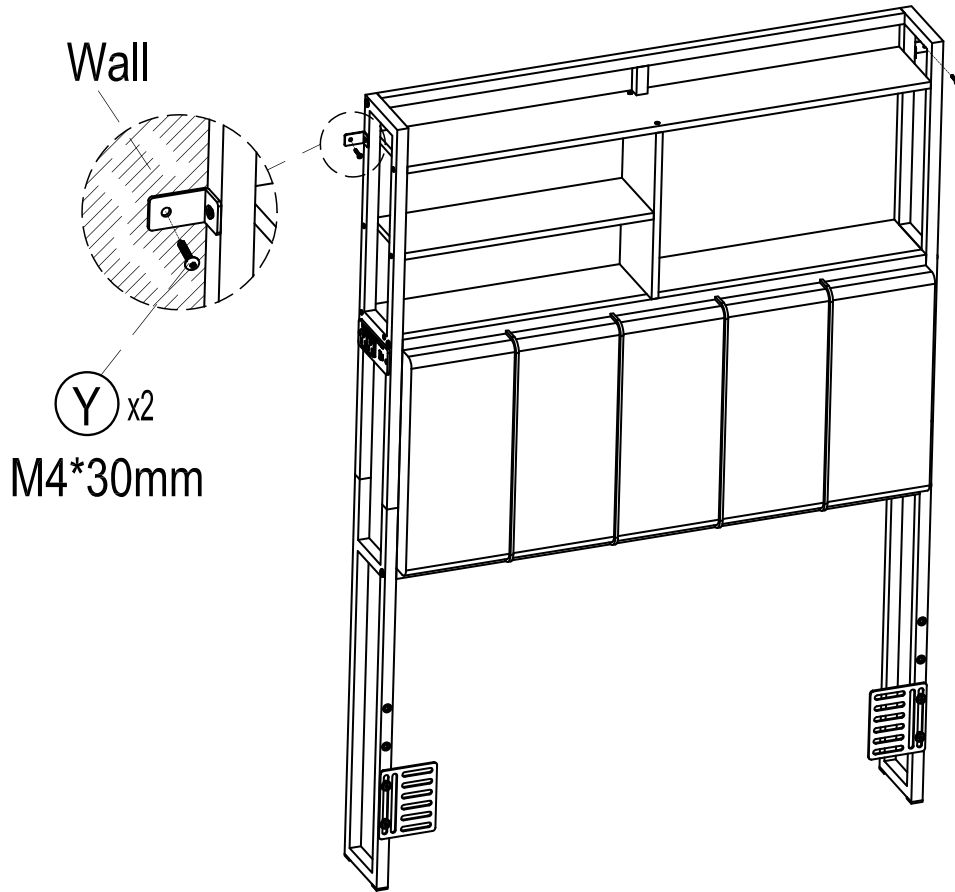
STEP 13



STEP 14

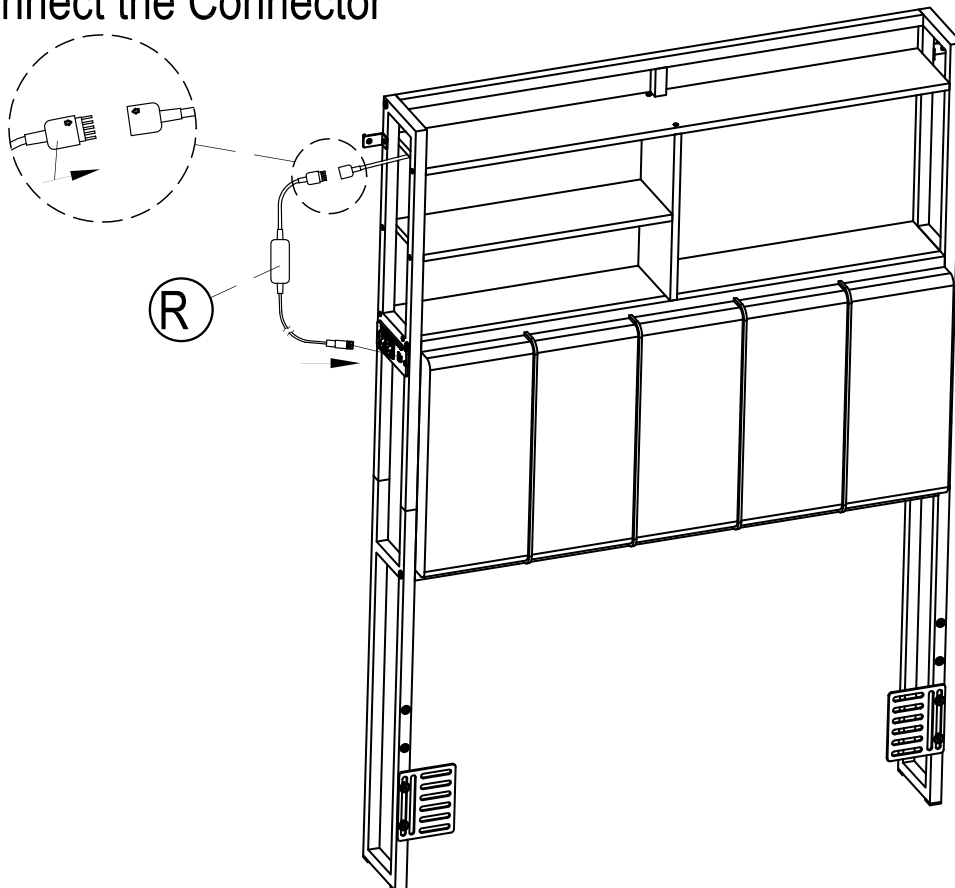


STEP 15

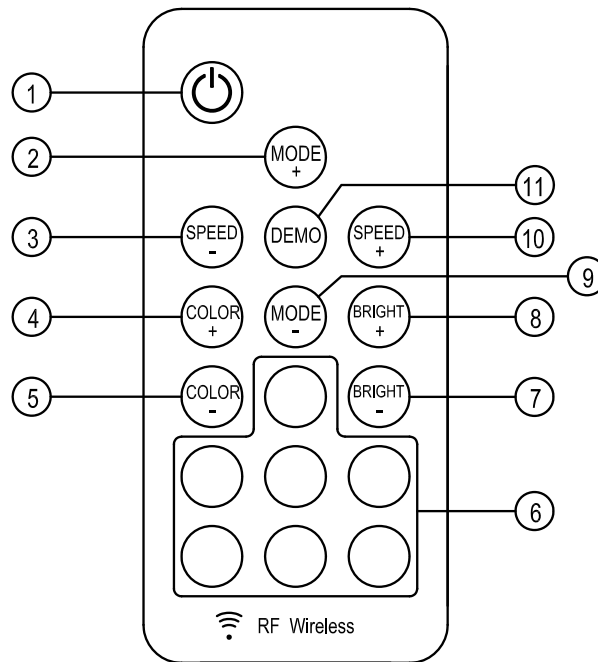


STEP 16

Connect the Connector



RGB LED CONTROLLER



1. Turn on / Standby

Press this key to turn on unit or switch to standby mode. At power on, unit will automatically turn on and restore to previous status.

2/9. Dynamic Mode Adjust

Switch to dynamic mode from static color, or switch between dynamic modes.

3/10. Dynamic Speed Adjust

Adjust dynamic playing speed. Press SPEED + to increase speed and press SPEED - to decrease. Unit will switch to dynamic mode if press this key at static color mode.

4/5. Static Color Adjust

Switch to static color mode from dynamic mode, or switch between static colors.

6. Direct Color Select

Shortcut key to static colors. When press the specific color key, LED will play the same static color. The direct colors are included in 'COLOR +' and 'COLOR -' operation.

7/8. Brightness Adjust

Adjust static color brightness. Press BRIGHGT + to increase brightness and press BRIGHGT - to decrease. Unit will switch to static color mode if press this key at dynamic mode.

11. Demo Mode

Press this key will switch to Demo mode. At demo mode, it plays 17 dynamic modes in loop, each mode repeat 3 times.