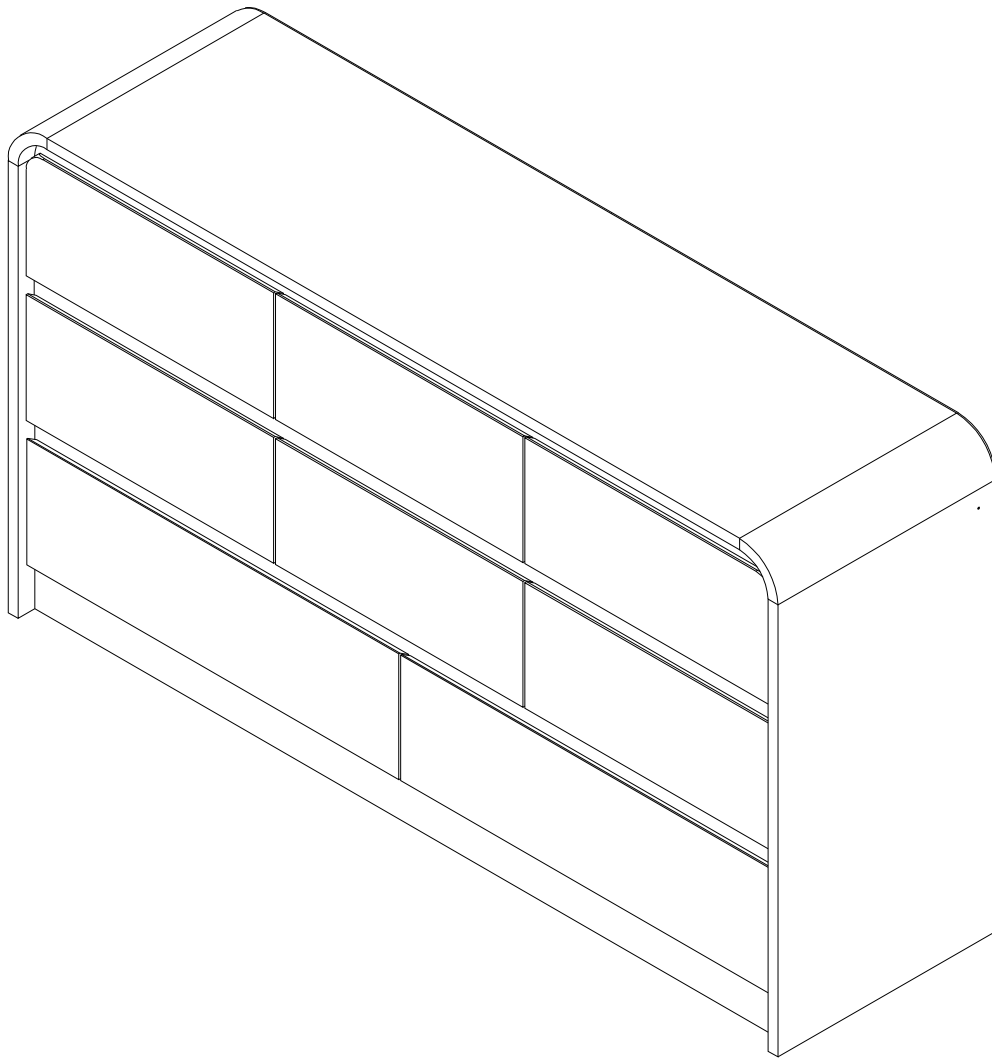
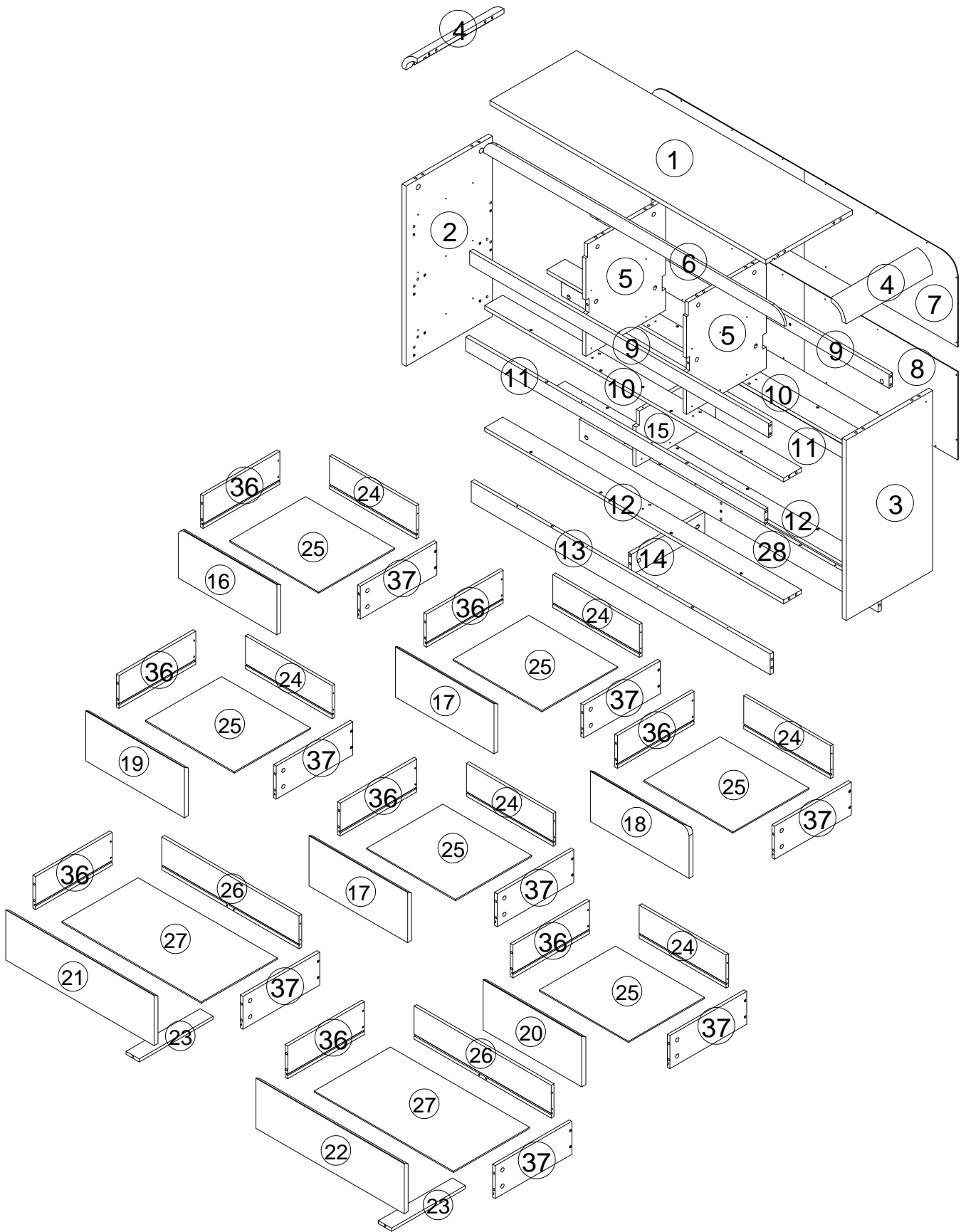

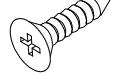
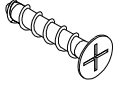

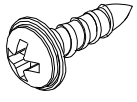
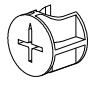
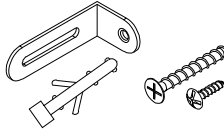
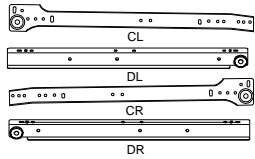
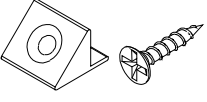


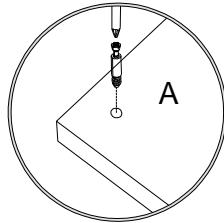
ASSEMBLY INSTRUCTIONS



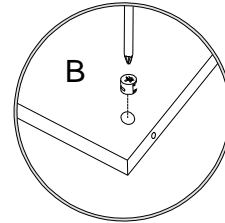


CODE	DESCRIPTION	QTY
1	Top Panel	1
2	Left Side Panel	1
3	Right Side Panel	1
4	Bent Wood Board	2
5	Upper Middle Vertical Panel	2
6	Upper Front Strip	1
7	Upper Back Panel	1
8	Lower Back Panel	1
9	Upper Vertical Strip	2
10	Middle Crossbar	2
11	Middle Ruggedized Strip	2
12	Front And Rear Bottom Panel	2
13	Front Footboard	1
14	Lower Supported Strip	2
15	Lower Middle Vertical Panel	1
16	Upper Left Drawer Top Panel	1
17	Middle Drawer Top Panel	2
18	Upper Right Drawer Top Panel	1
19	Middle Left Drawer Top Panel	1
20	Middle Right Drawer Top Panel	1
21	Lower Left Drawer Top Panel	1
22	Lower Right Drawer Top Panel	1
23	Drawer Bottom Strip	2
24	Upper And Middle Drawer Back Panel	6
25	Upper And Middle Drawer Bottom Panel	6
26	Lower Drawer Back Panel	2
27	Lower Drawer Bottom Panel	2
28	Back Footboard	1
36	Drawer Left Side Panel	8
37	Drawer Right Side Panel	8

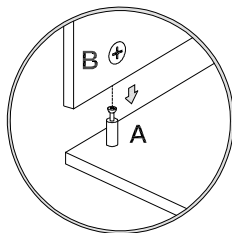
<p>Ø8X30MM</p>  <p>A 52X+2</p>	<p>Ø3X12MM</p>  <p>B 96X+2</p>	<p>Ø4X35MM</p>  <p>C 60X+2</p>	 <p>D 72X+2</p>
<p>Ø3X12MM</p>  <p>F 28X+2</p>	<p>Ø15X10MM</p>  <p>G 72X+2</p>	 <p>H 2X</p>	 <p>L 8X</p>
 <p>M 2X</p>			



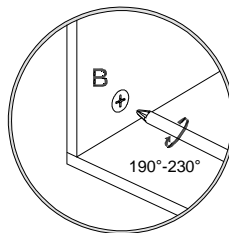
1. Screw cam bolt into panel



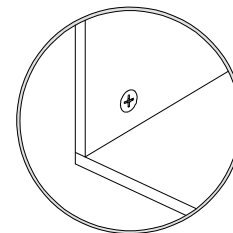
2. Push cam into panel - arrow feature on cam top points to panel edge



3. Align cam bolt(s) with cam(s) and insert all the way into cross-bored hole(s)

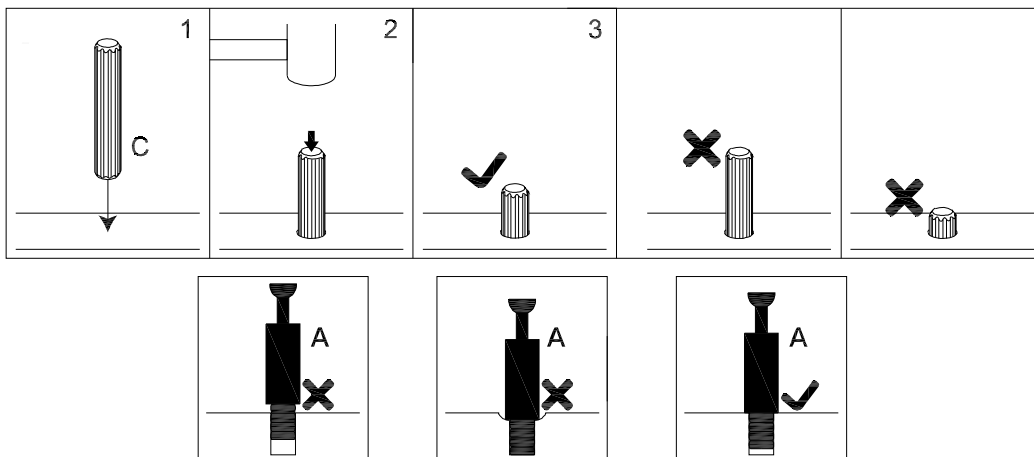


4. Rotate cam(s) clockwise 190°-230° to lock panels together



5. Panels should be tight against each other and connection should be rigid

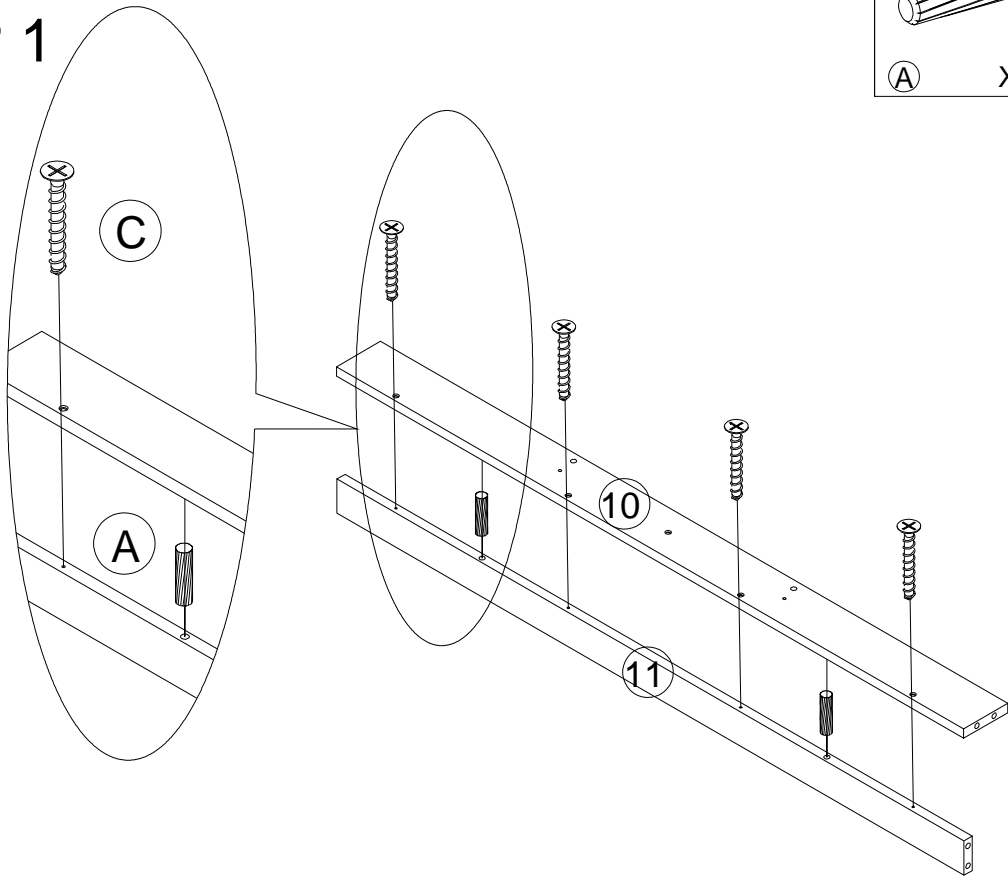
Insert the wood dowel [C] at least half way by tapping lightly with a rubber mallet, IF NECESSARY.



⚠ WARNING

- Unit must be placed on a level surface or leveled with included hardware (when applicable).
- Do not sit or stand on or allow children to climb, sit or stand on the assembled product.
- For safety reasons, it is imperative that this unit be mounted to the wall.
- Do not use without installing the tip restraint.
- Unit can tip over causing severe injury or death.
- Do not exceed the recommended weight limits.
- Evenly distribute the weight on each level and always keep the heavier loads on the bottom.
- Before cutting, drilling or hammering into any wall or floor surface, verify the location of electrical, plumbing and gas lines. Cutting may cause serious injury.

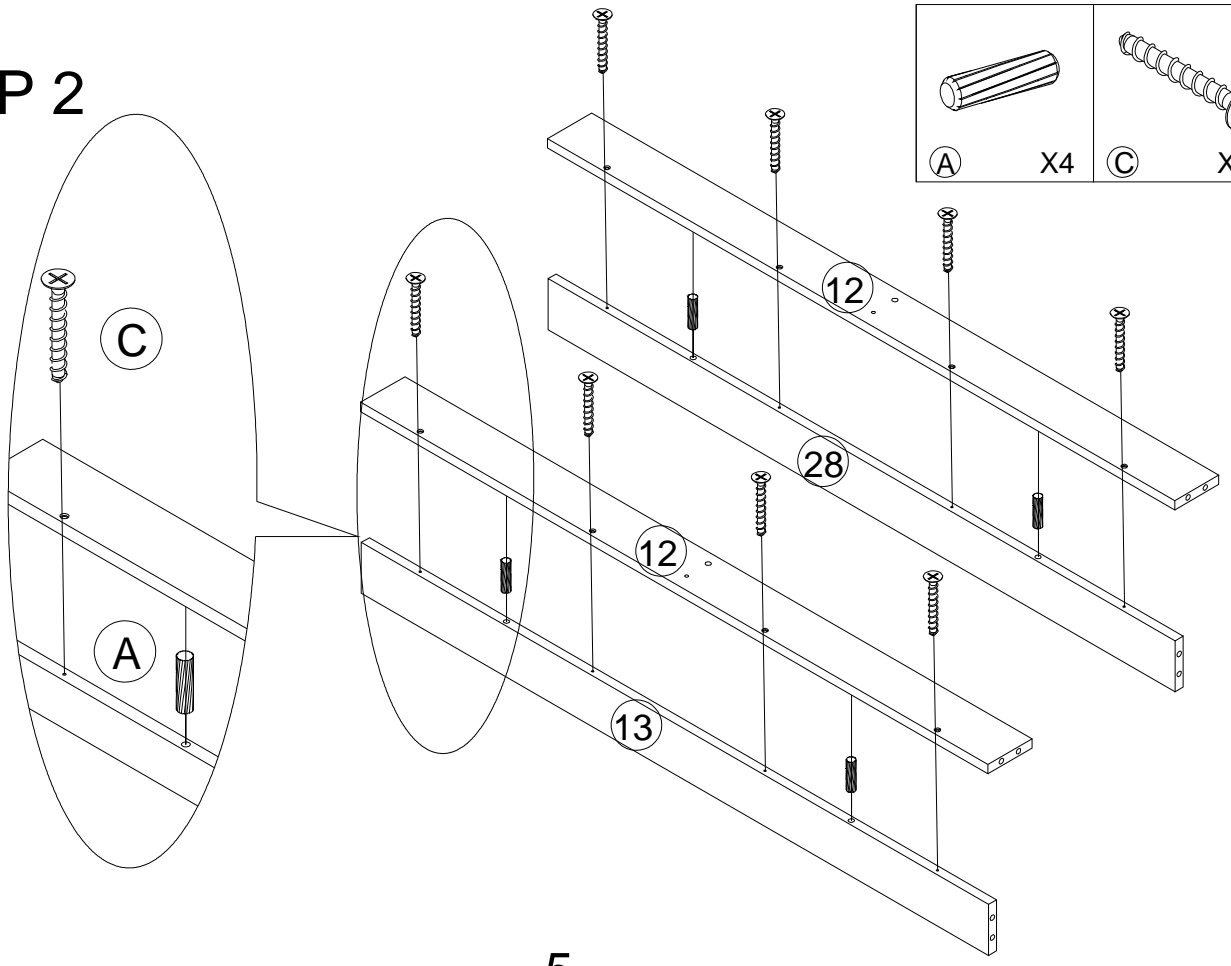
STEP 1



A X4	C X8

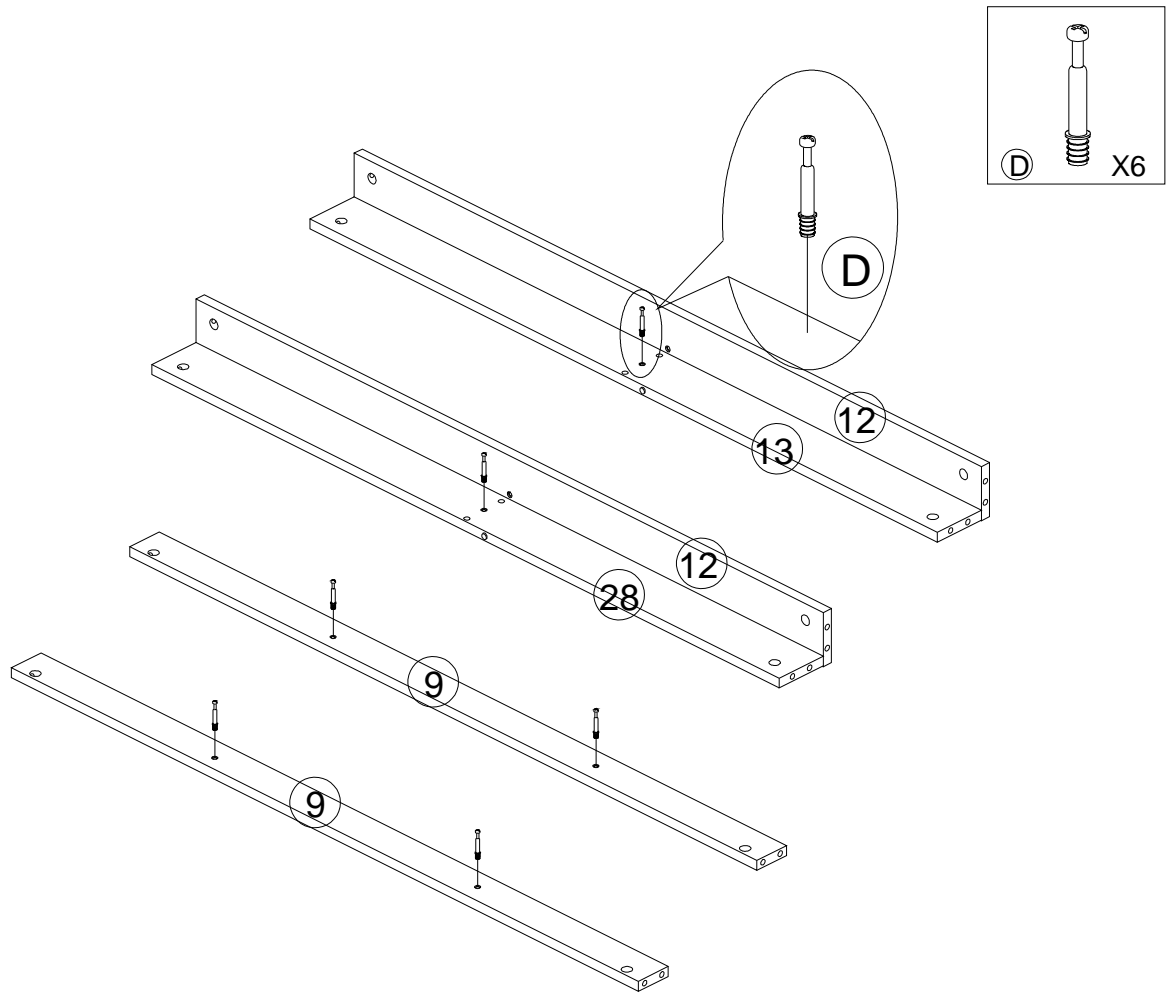
X2

STEP 2

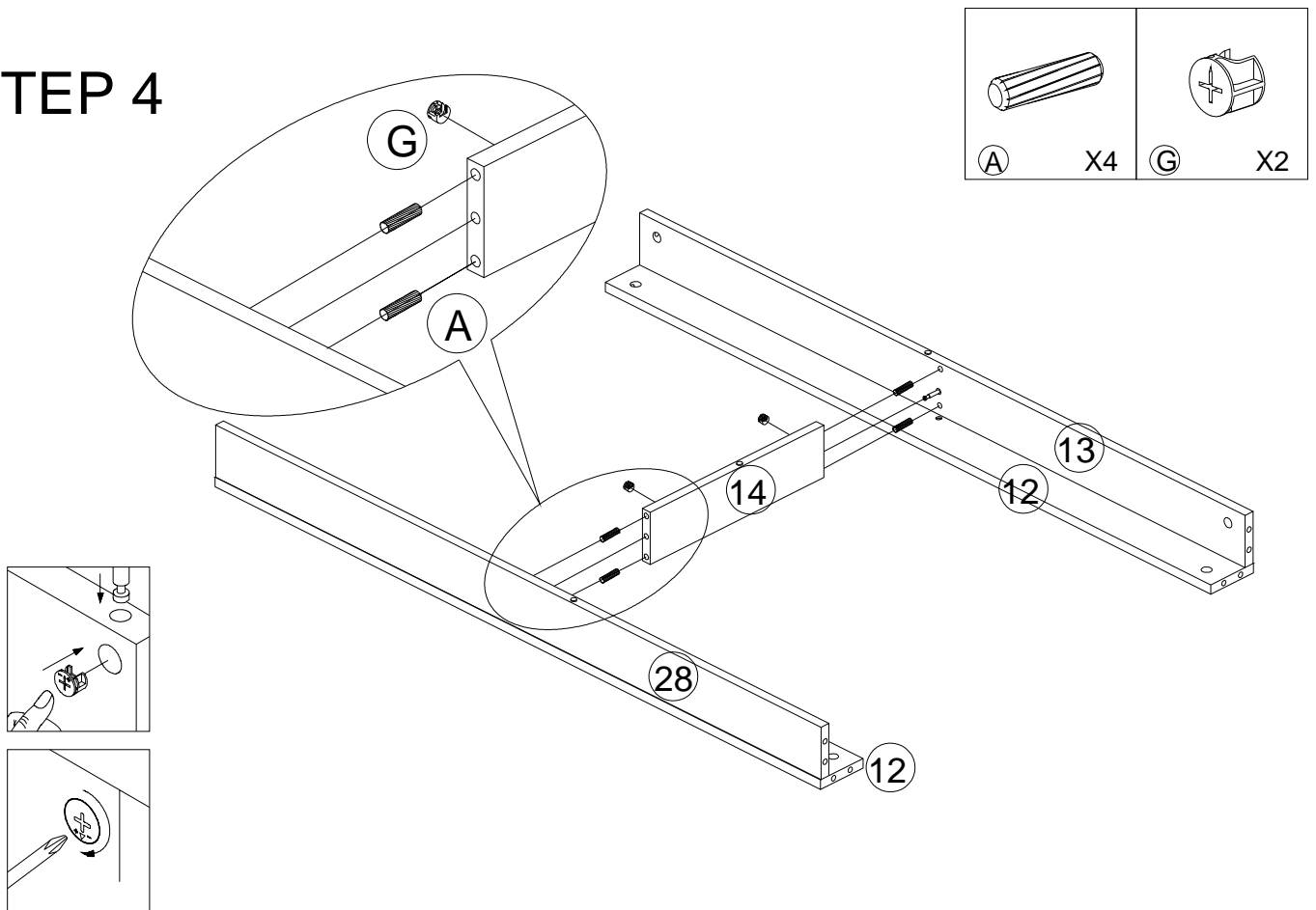


A X4	C X8

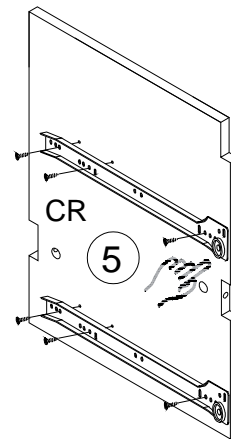
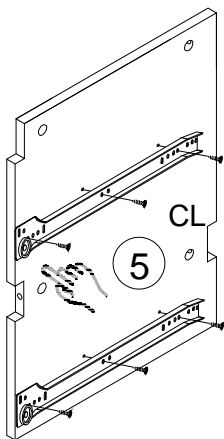
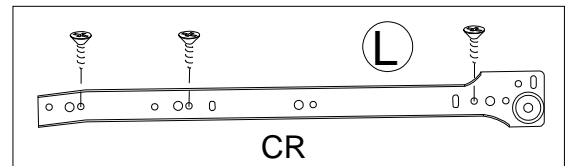
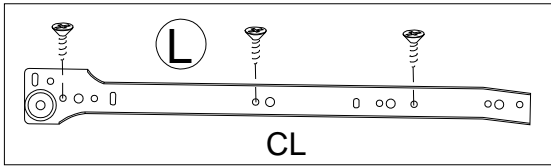
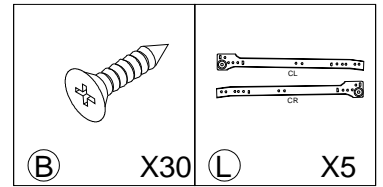
STEP 3



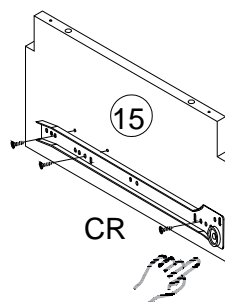
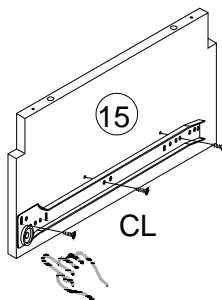
STEP 4



STEP 5

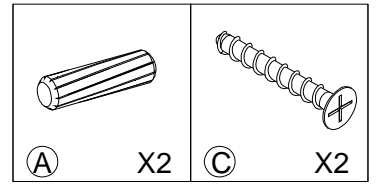
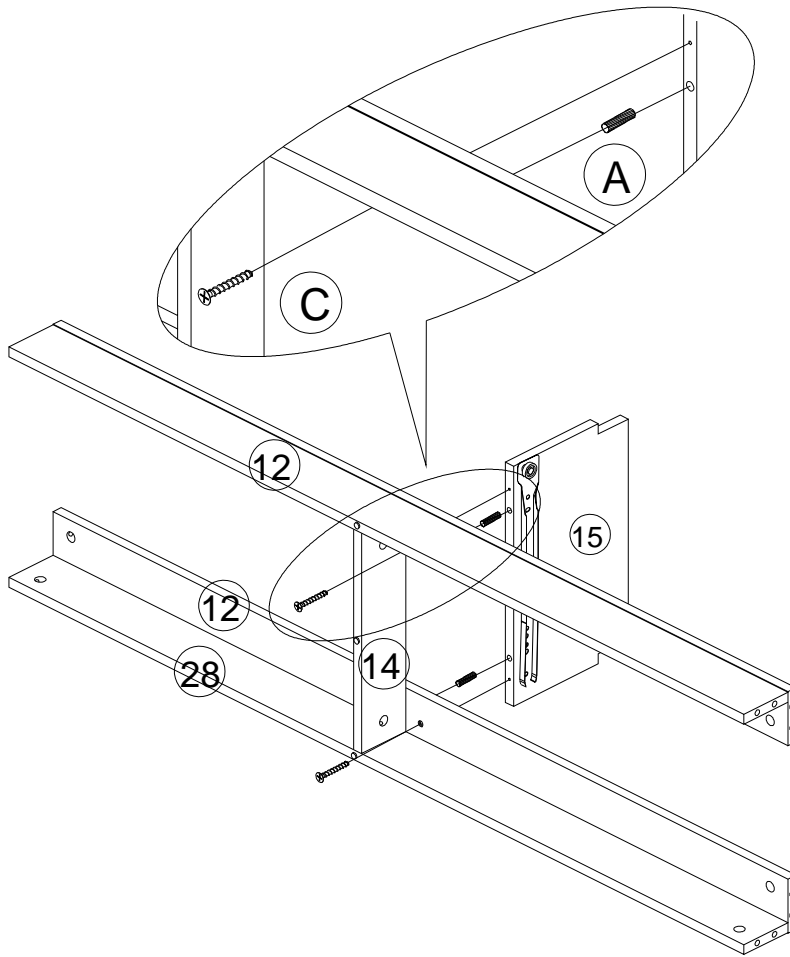


X2

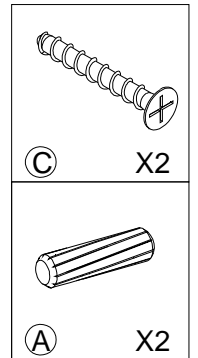
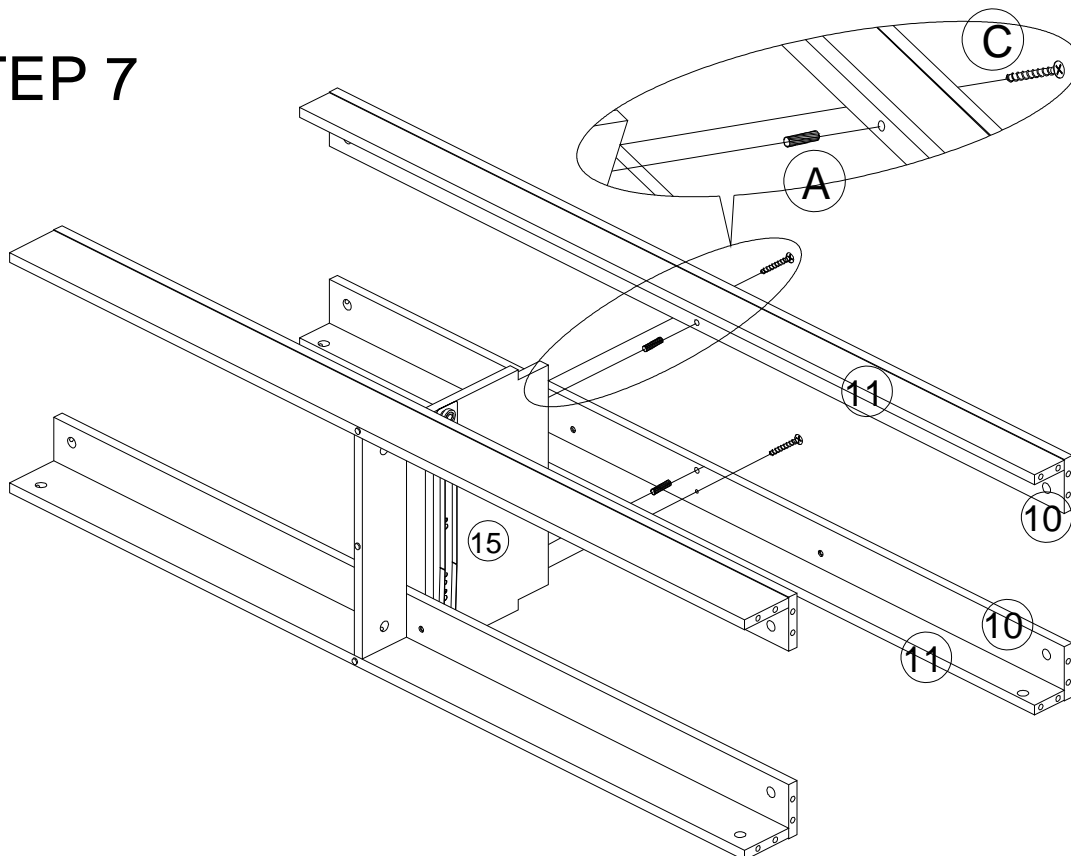


X1

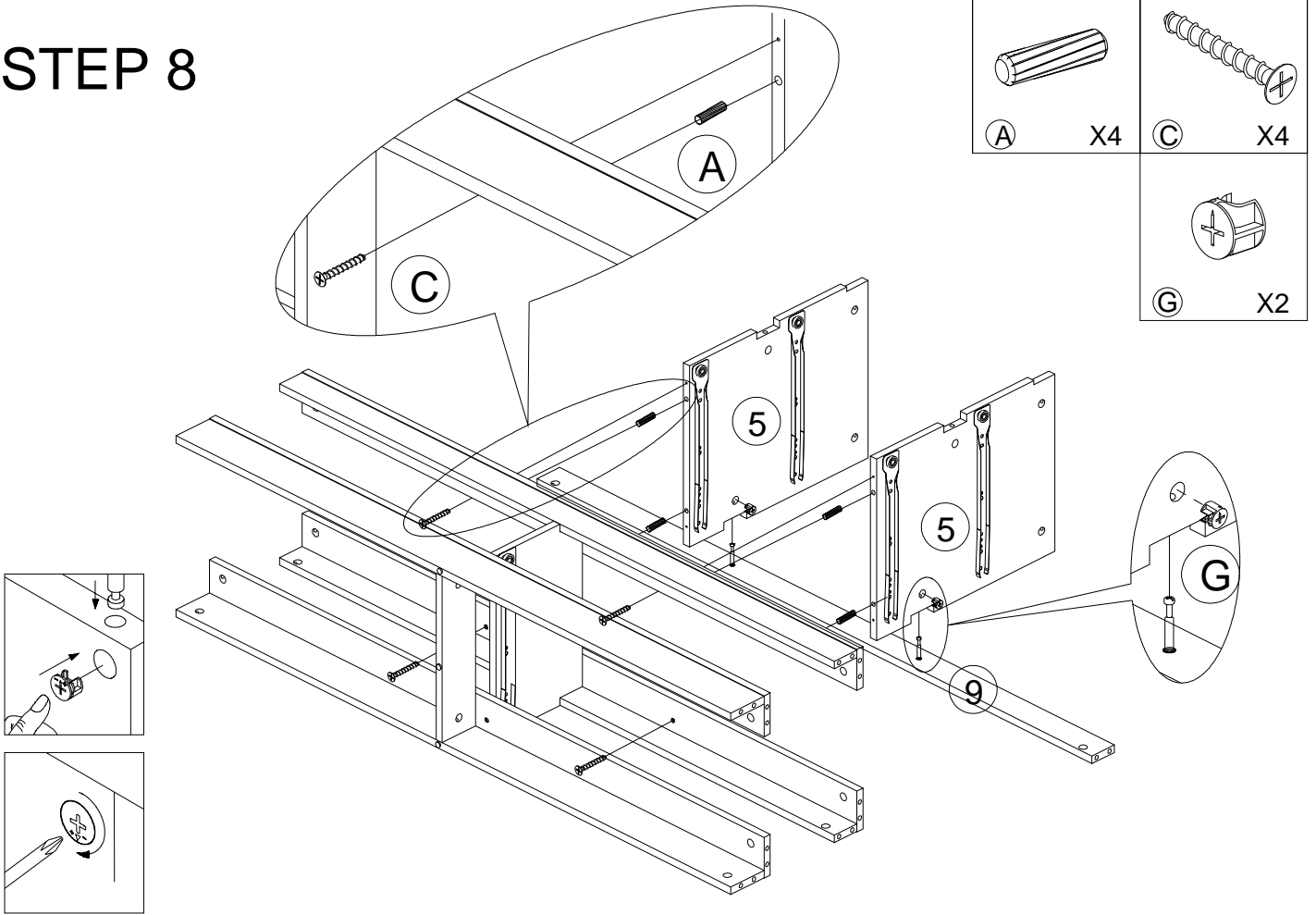
STEP 6



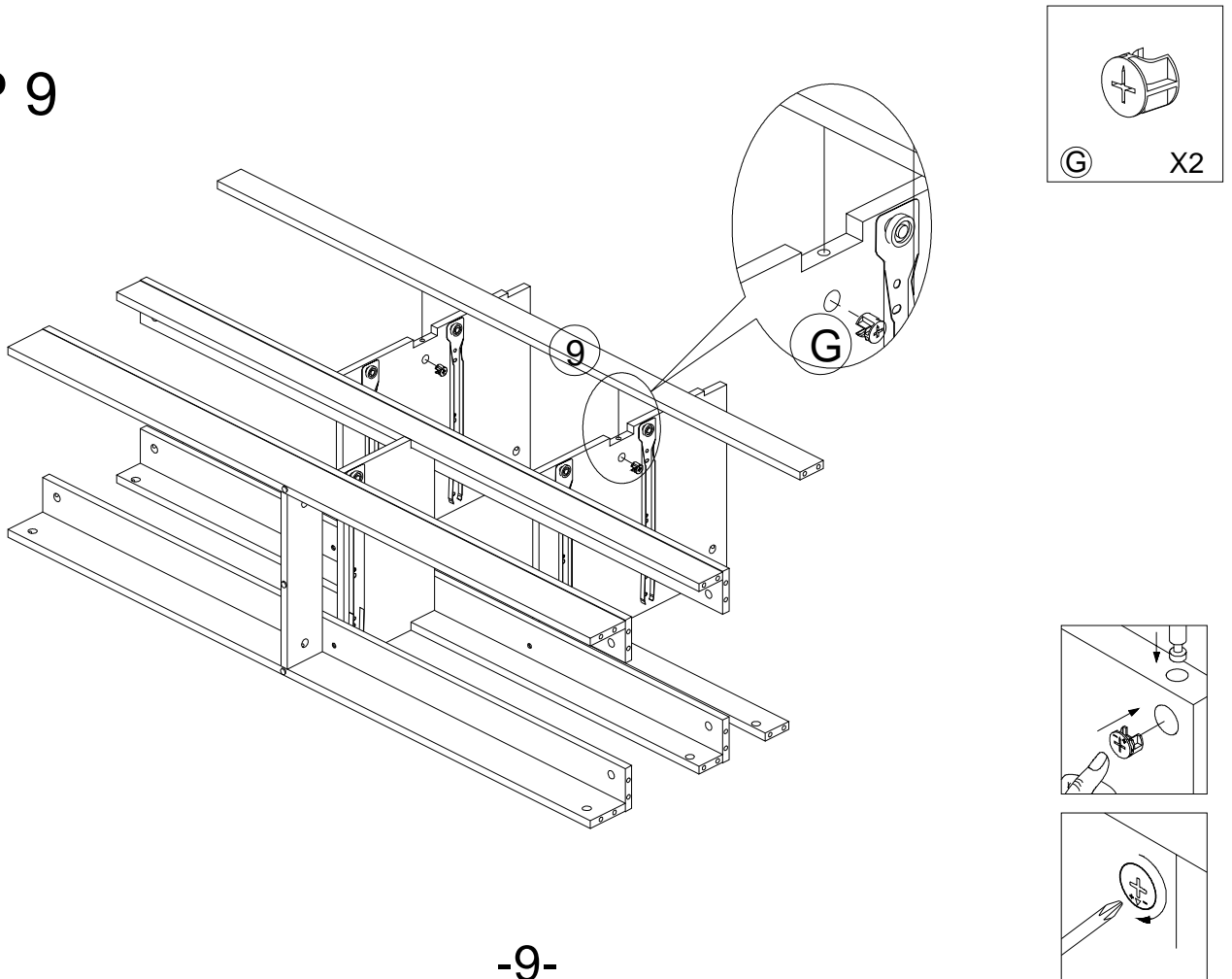
STEP 7



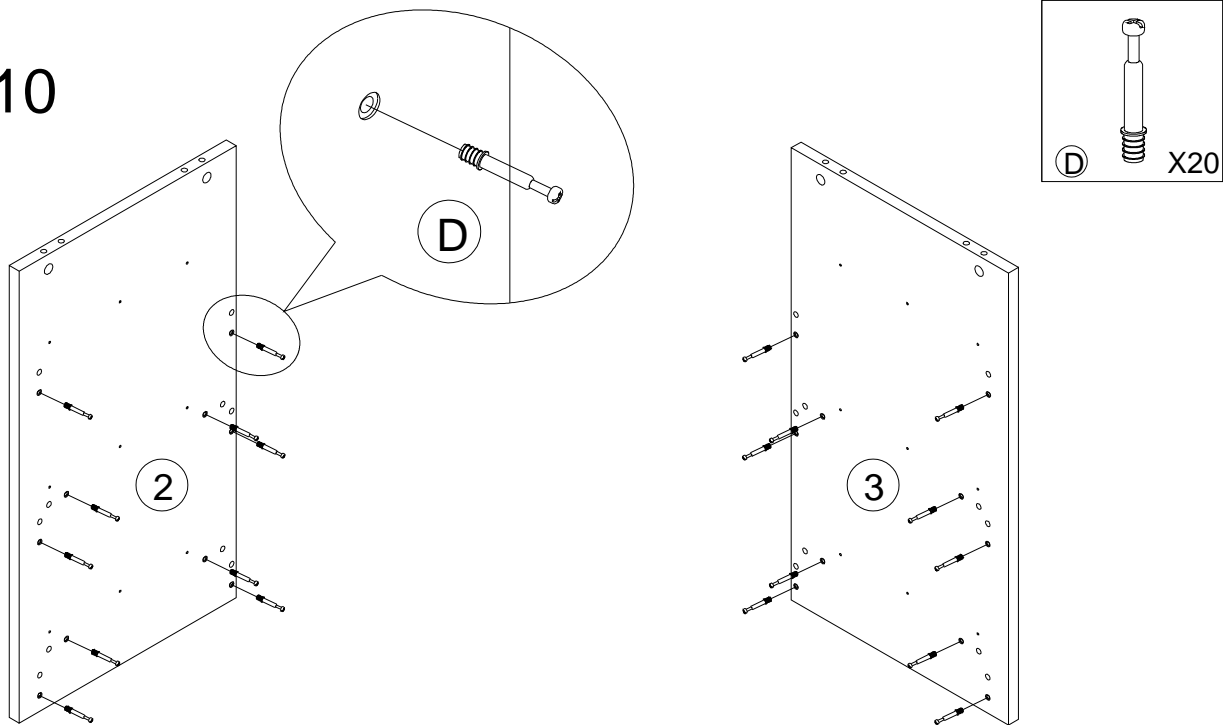
STEP 8



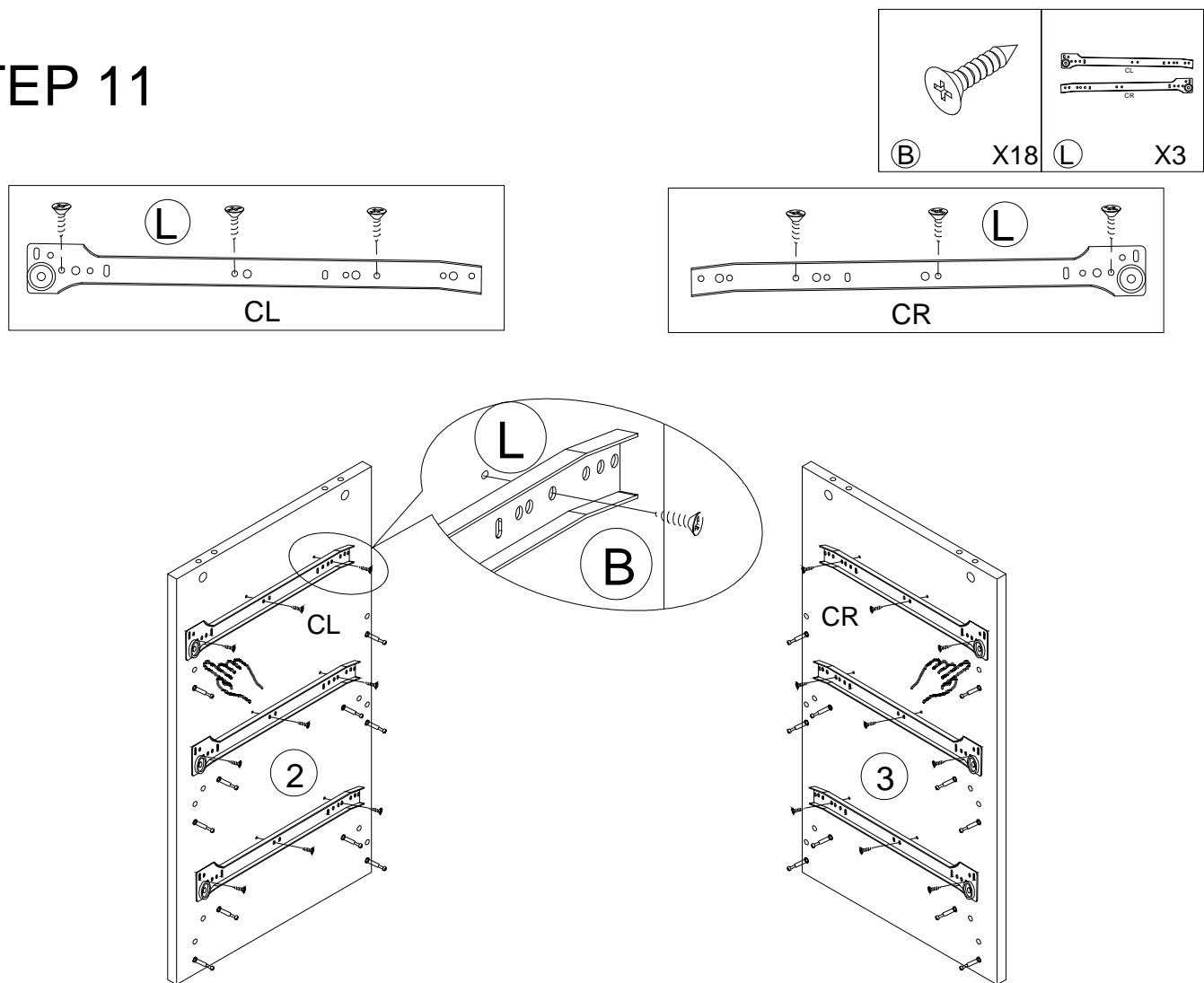
STEP 9



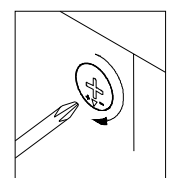
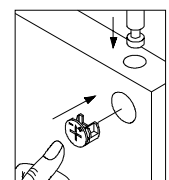
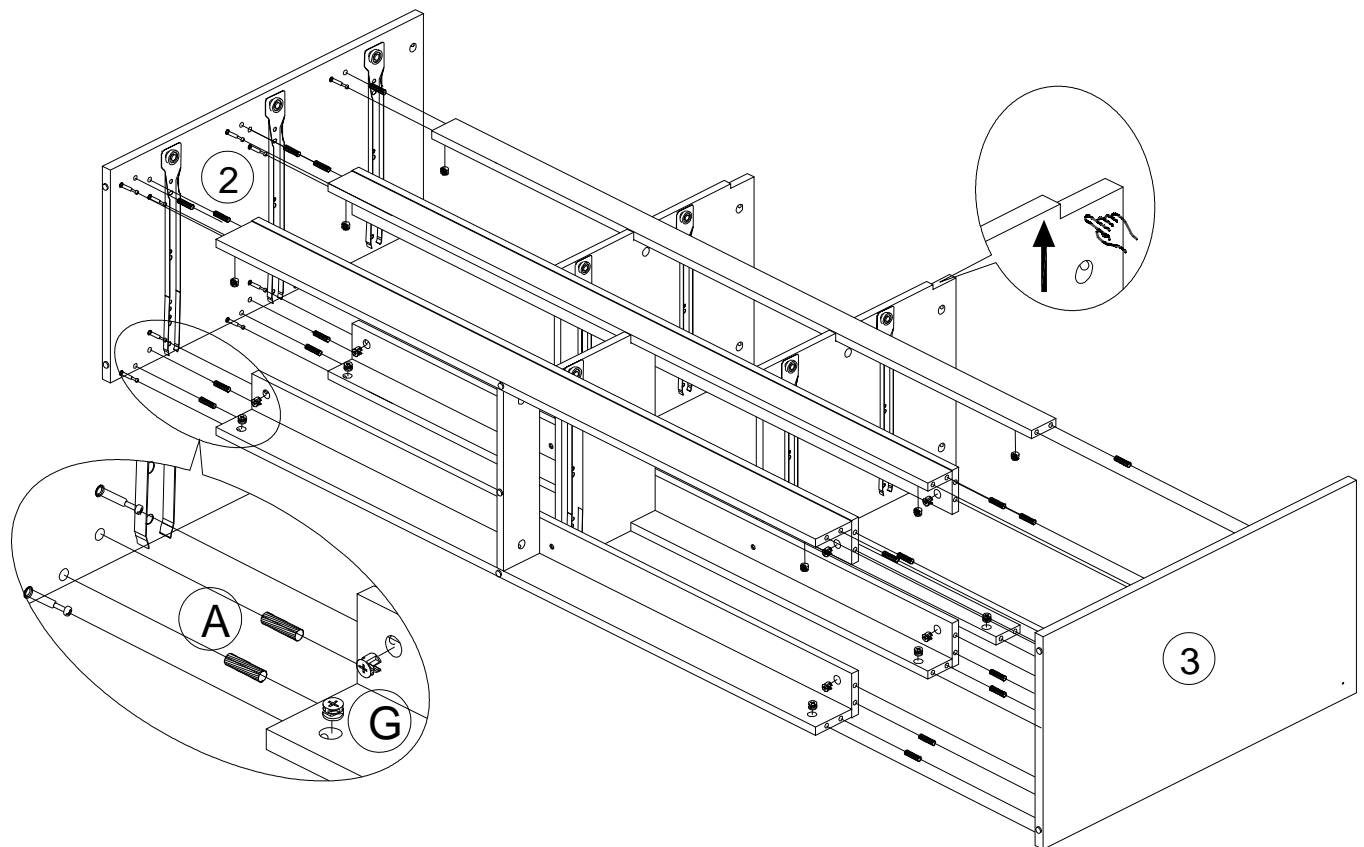
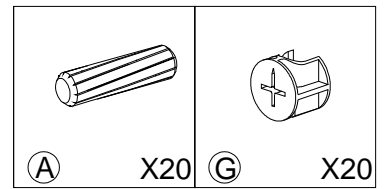
STEP 10



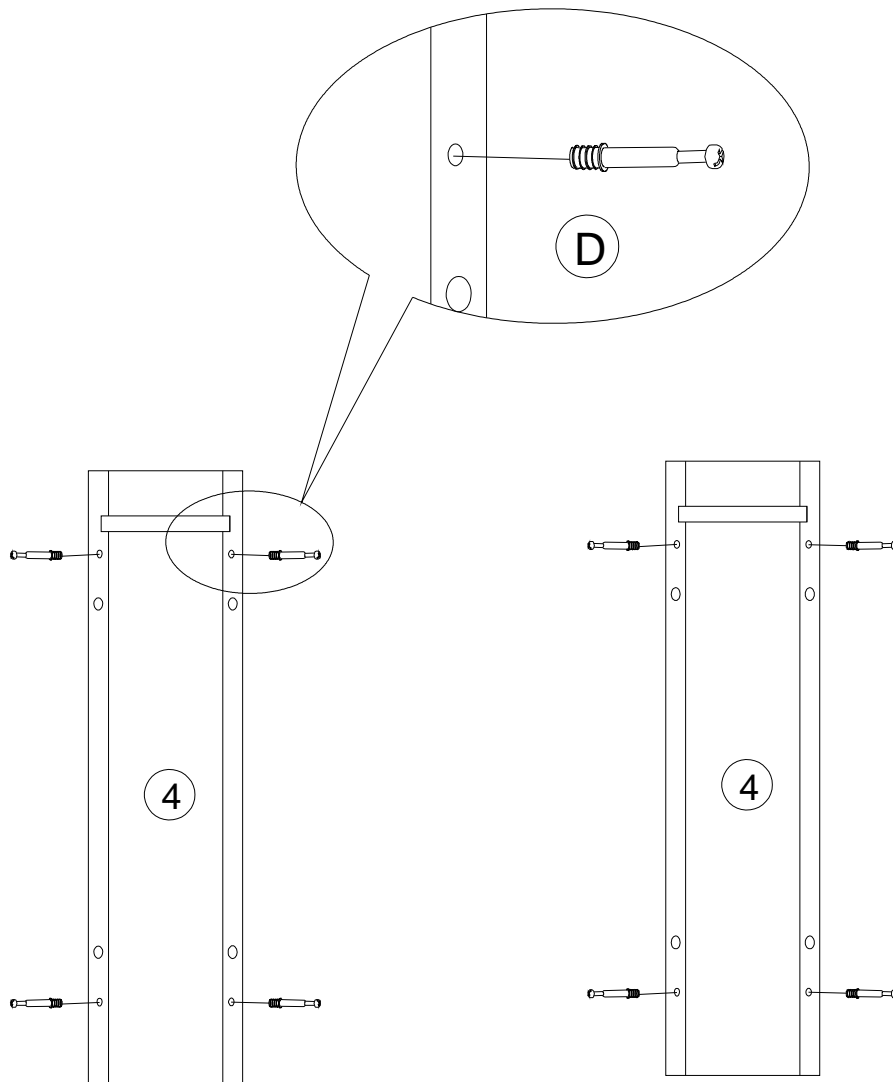
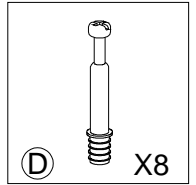
STEP 11



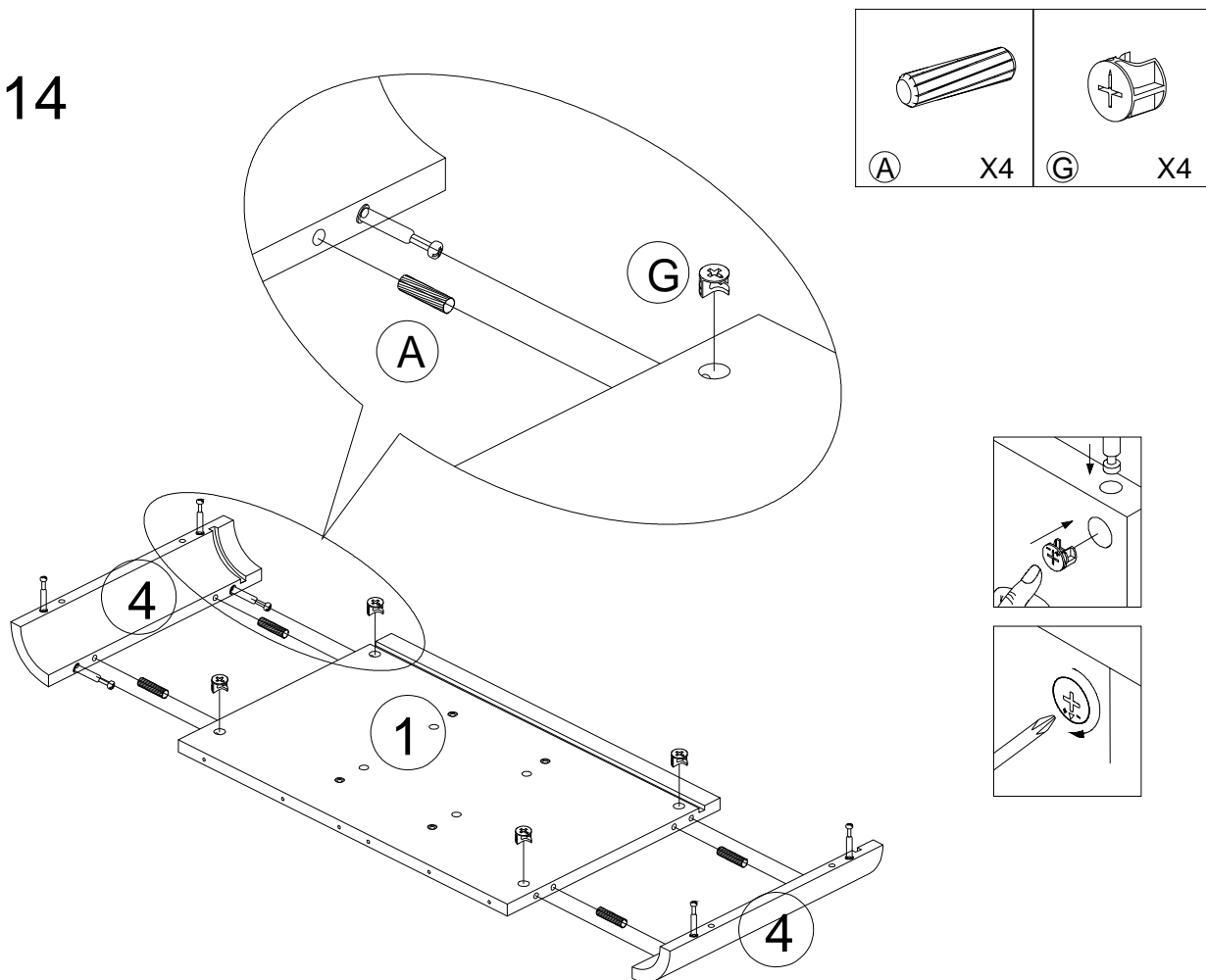
STEP 12



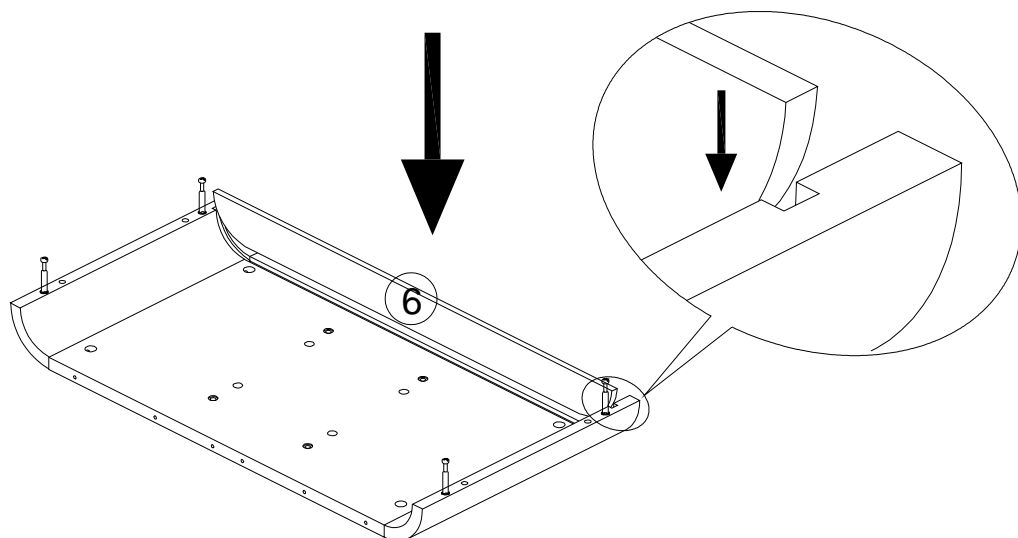
STEP 13



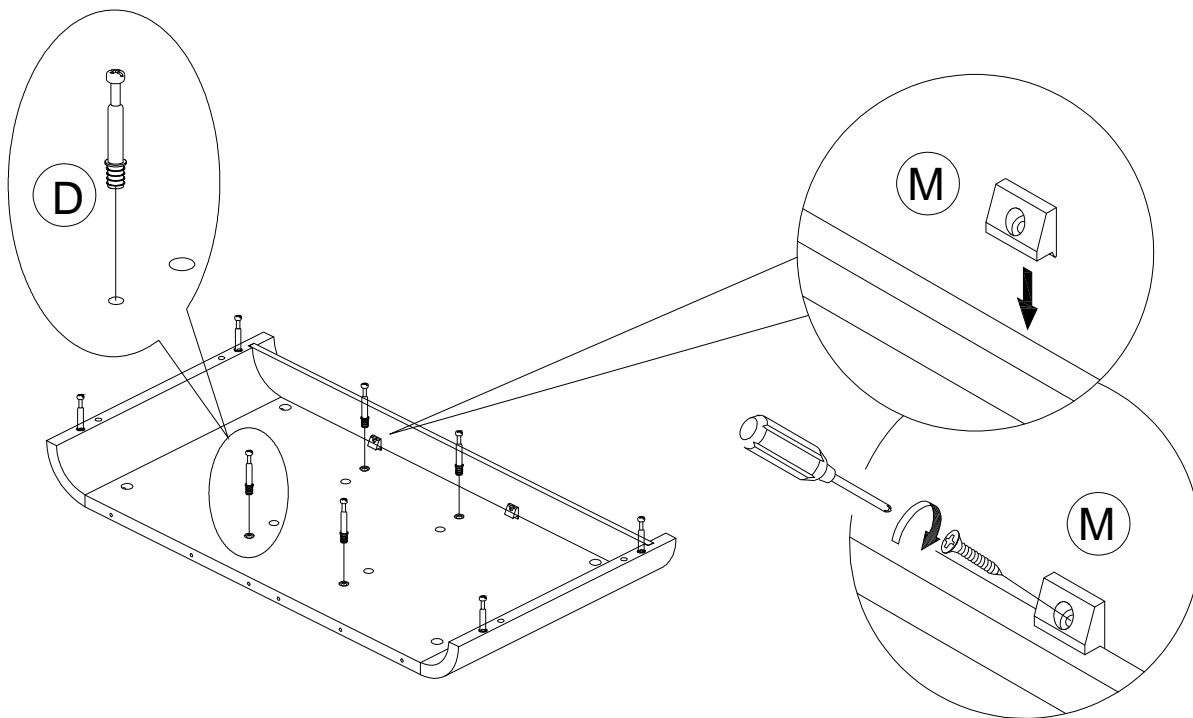
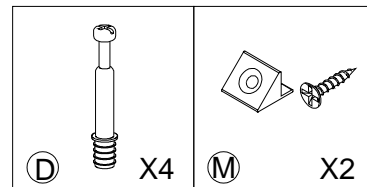
STEP 14



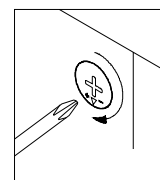
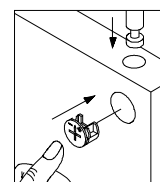
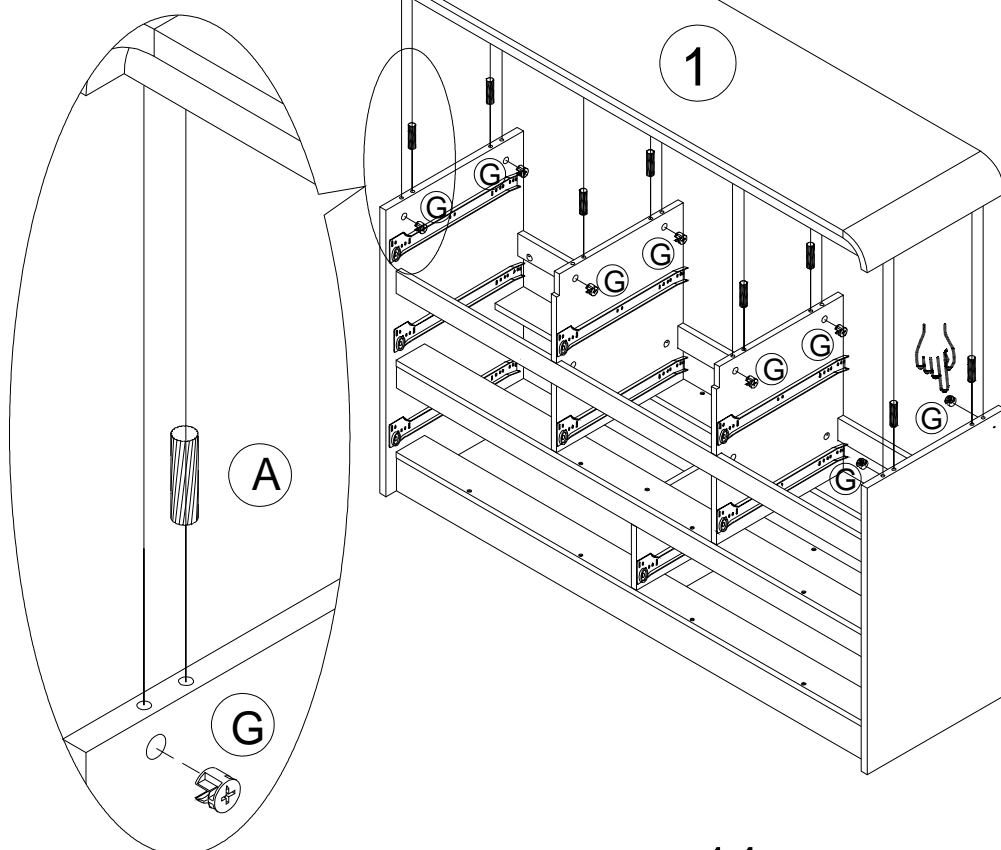
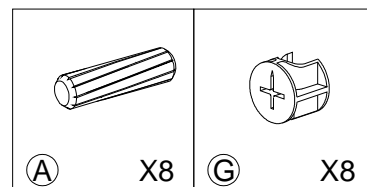
STEP 15



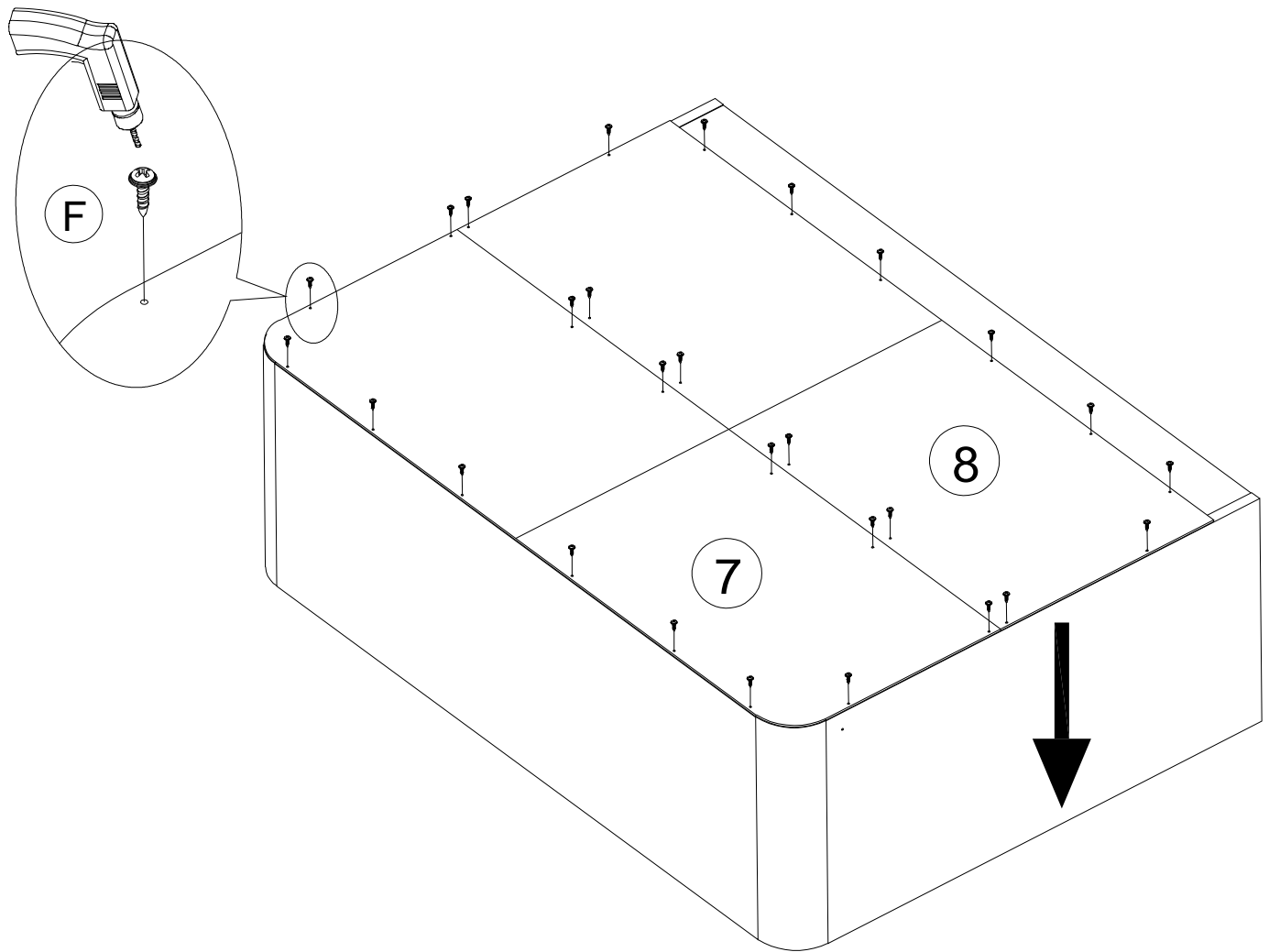
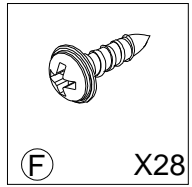
STEP 16



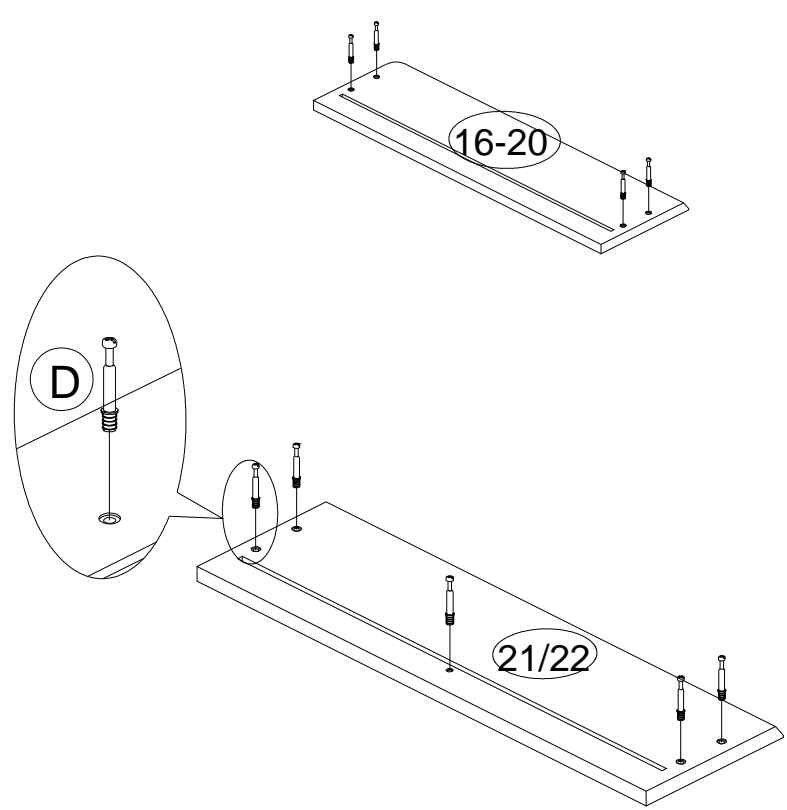
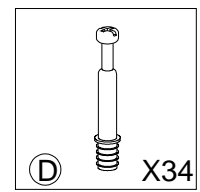
STEP 17



STEP 18



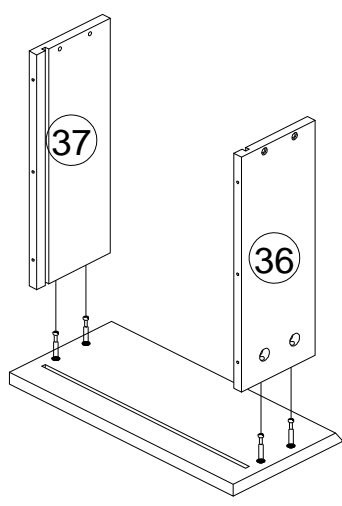
STEP 19



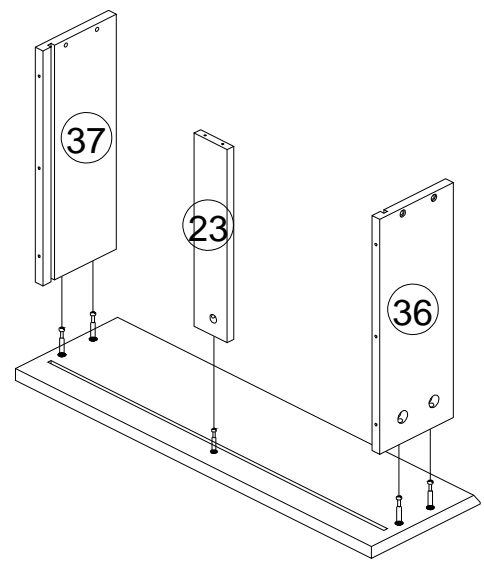
X6

X2

STEP 20

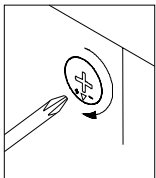
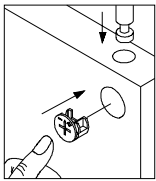
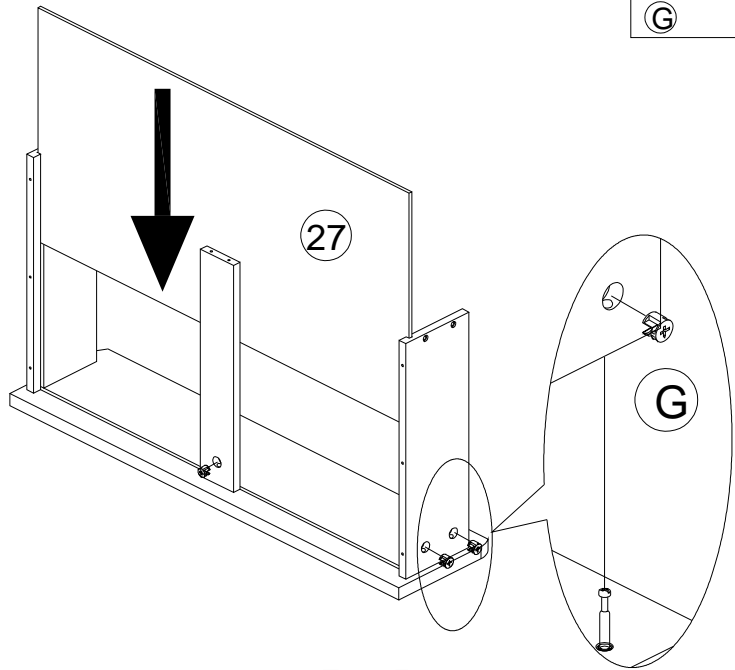
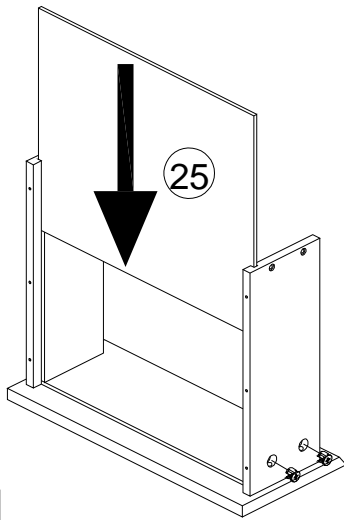
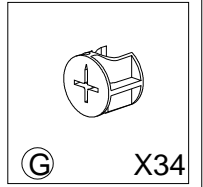


X6



X2

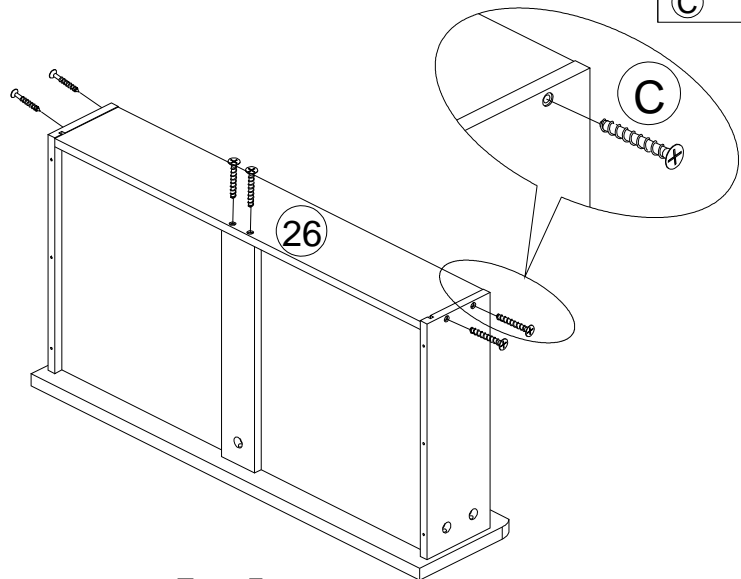
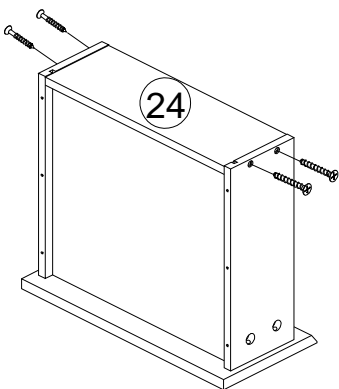
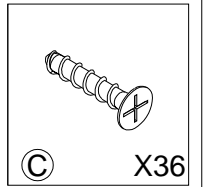
STEP 21



X6

X2

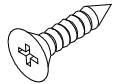

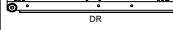
STEP 22

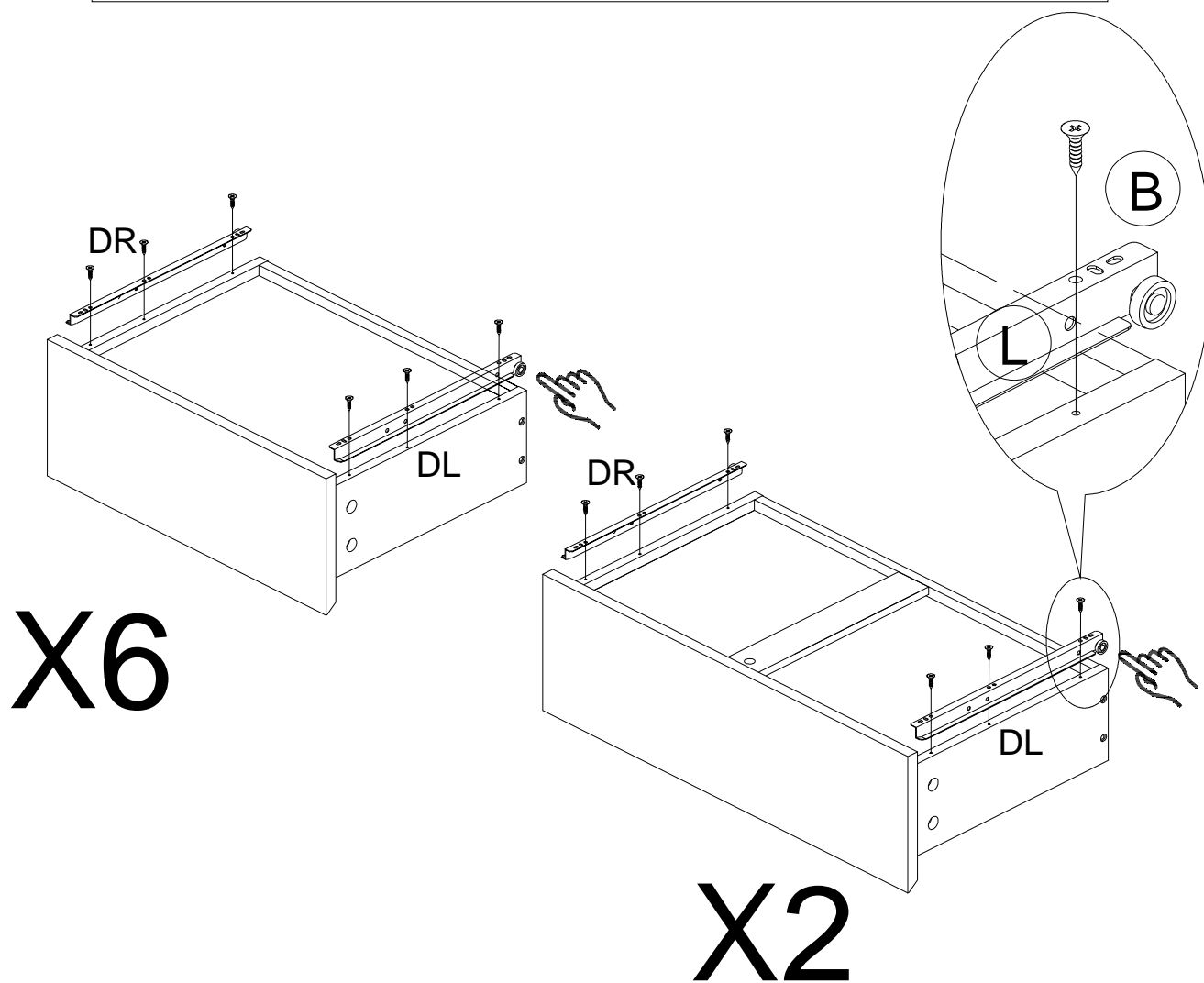
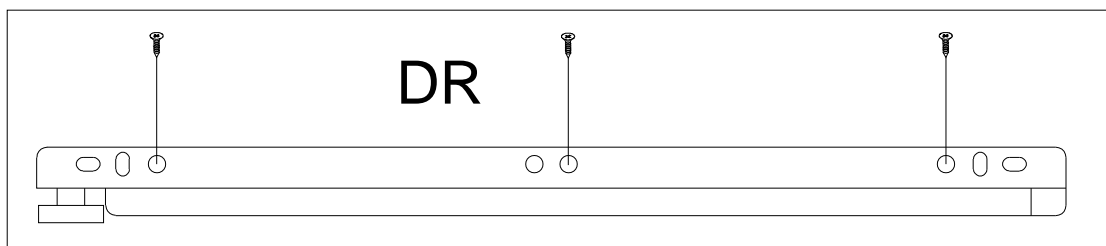
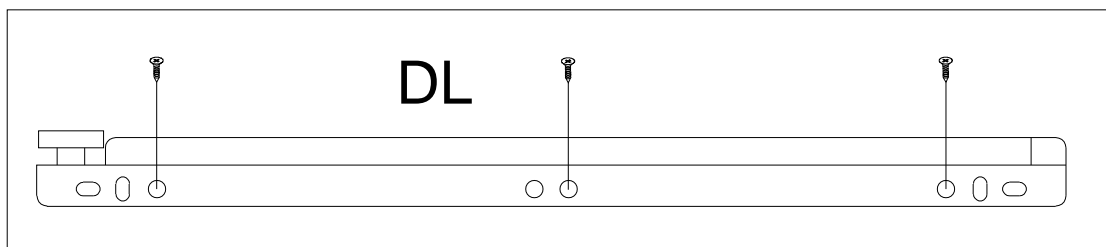


X6

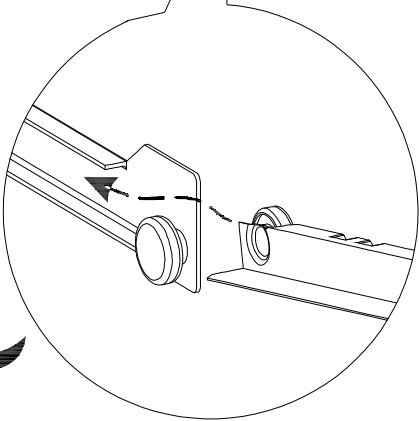
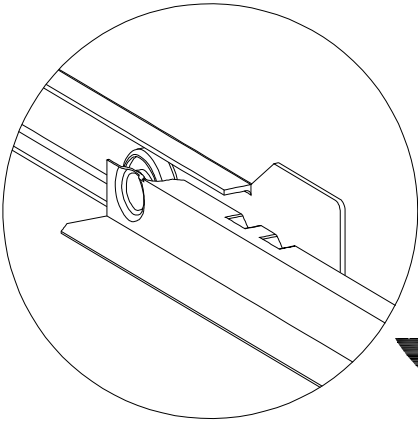
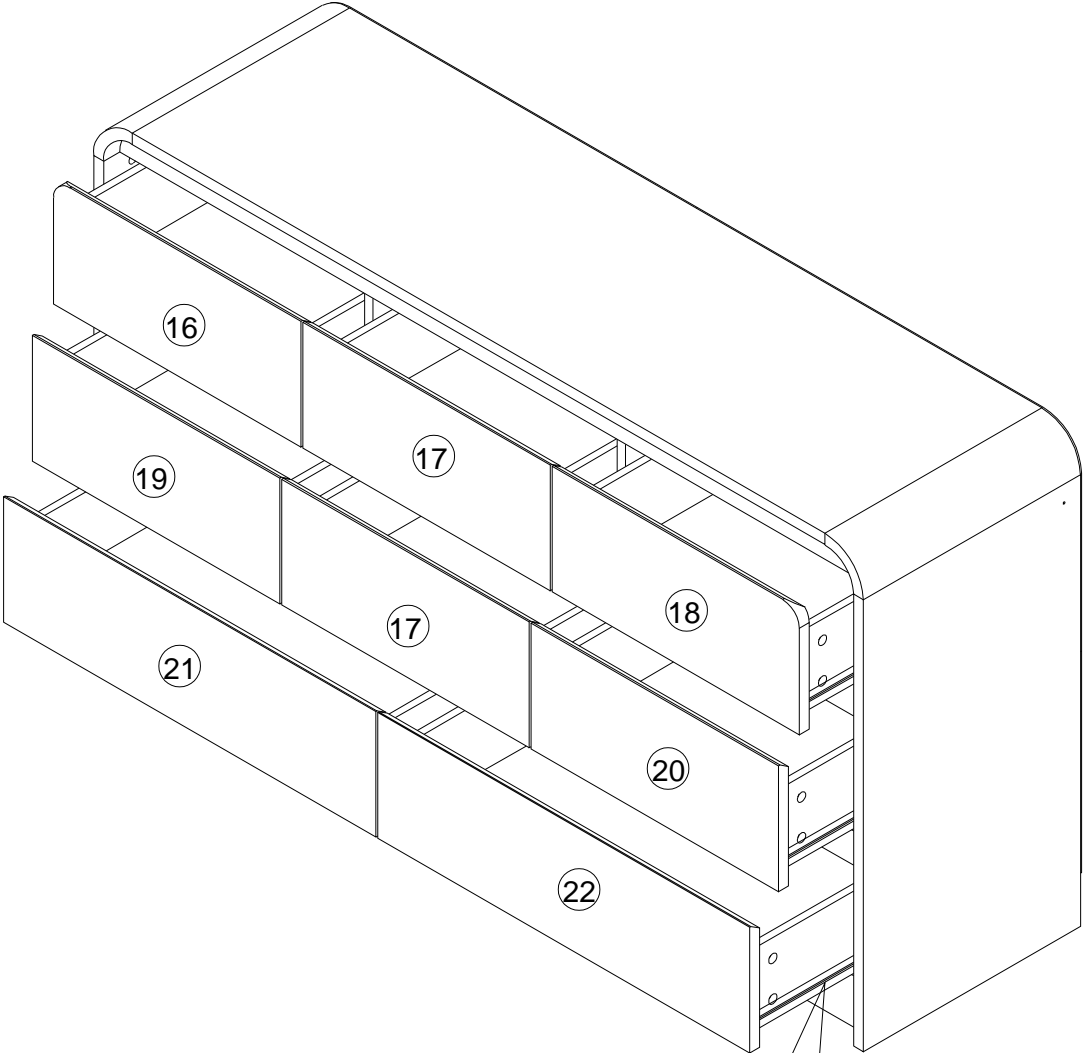
X2

STEP 23

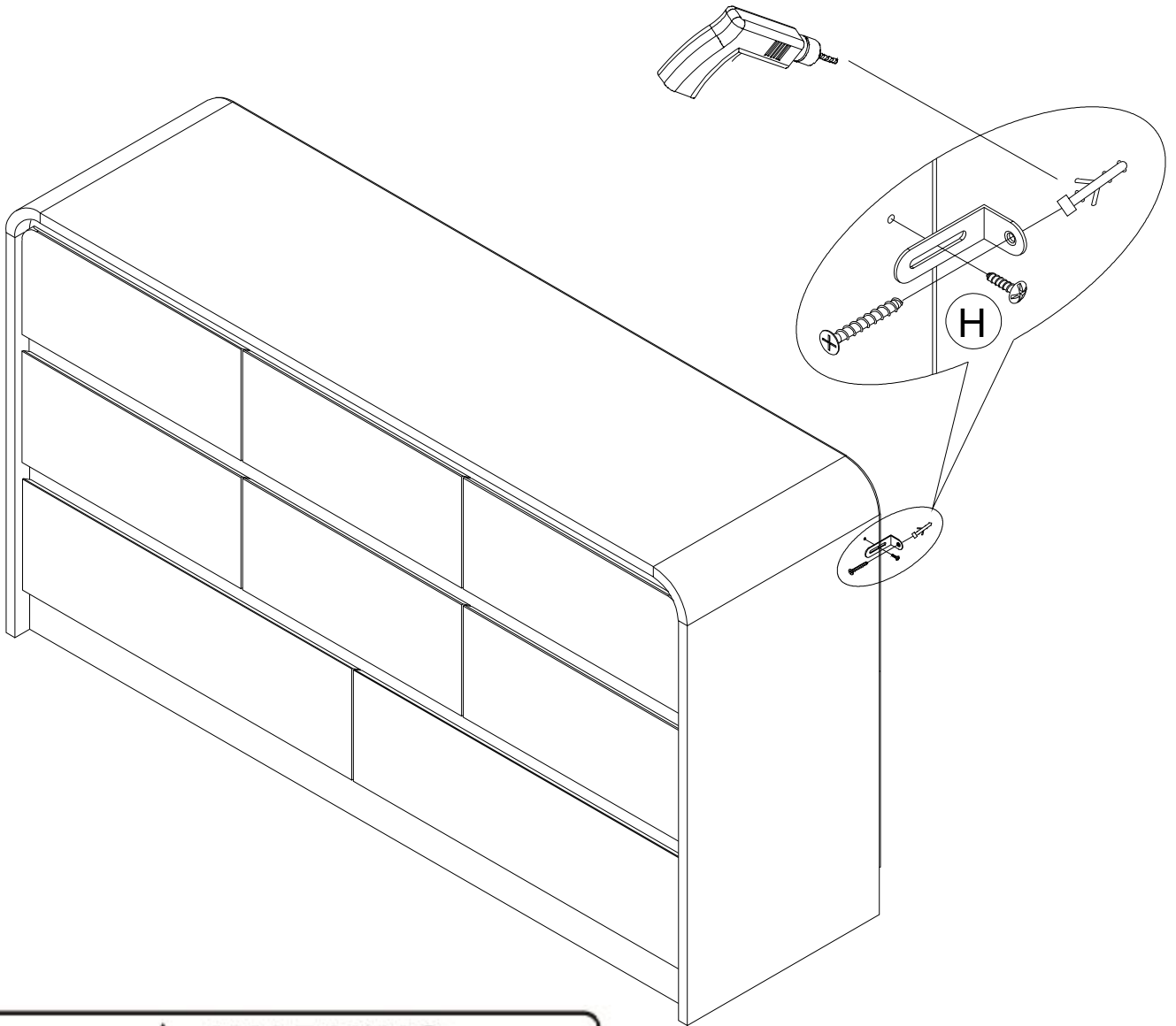
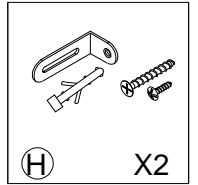
	
	
(B) X48	(L) X8



STEP 24



STEP 25



▲ WARNING	
	Children have died from furniture tipover. To reduce the risk of furniture tipover:
	<ul style="list-style-type: none">• ALWAYS install anti-tip device provided.• NEVER put a TV on this product.• NEVER allow children to stand, climb or hang on any drawers, doors, or shelves.• NEVER open more than one drawer at a time.• Place heaviest items in the lowest drawers.
<i>this is a permanent label. Do not remove!</i>	