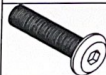


# INSTALLATION INSTRUCTION

## PRODUCT NAME



## HARDWARE



M6\*30 Screw  
(A)\*4



Ø6 Flat Washer  
(B)\*4



M4 Wrench  
(C)\*1

## COMPONENTS

①

Top



1pcs

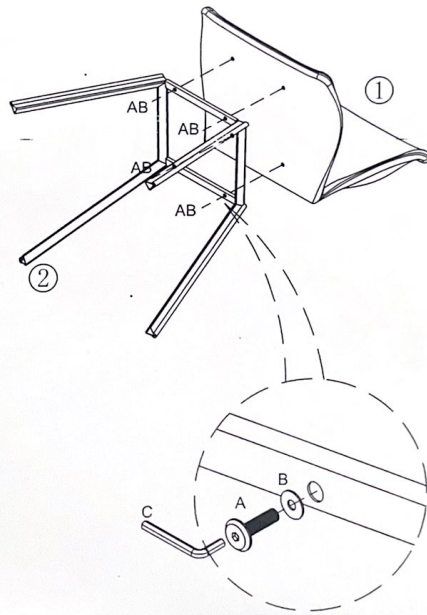
②

Base



1pcs

STEP 1:



STEP 2:

