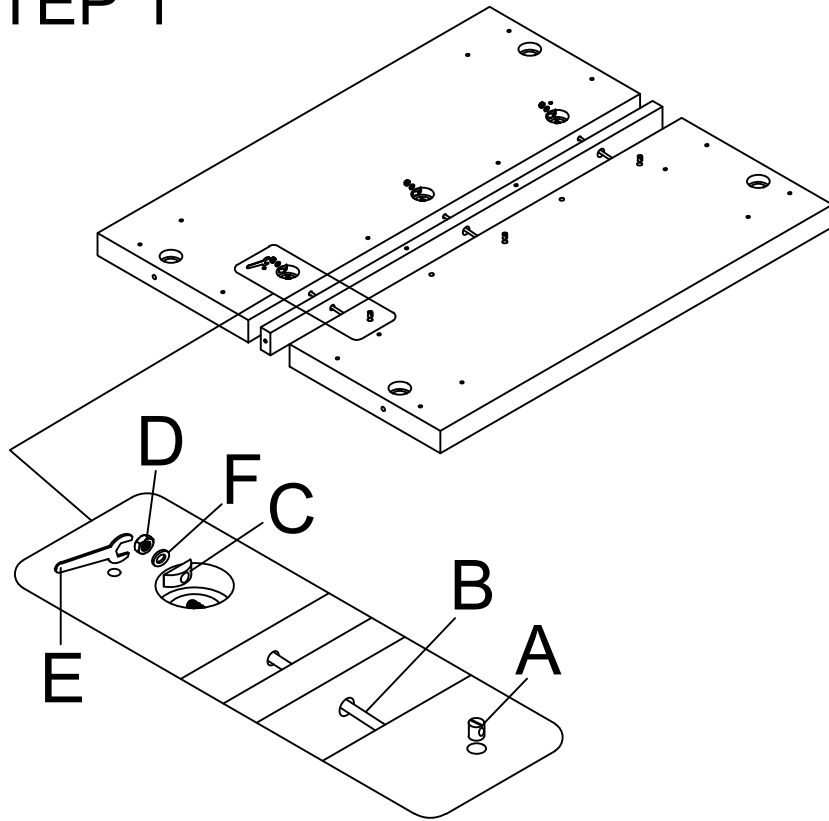


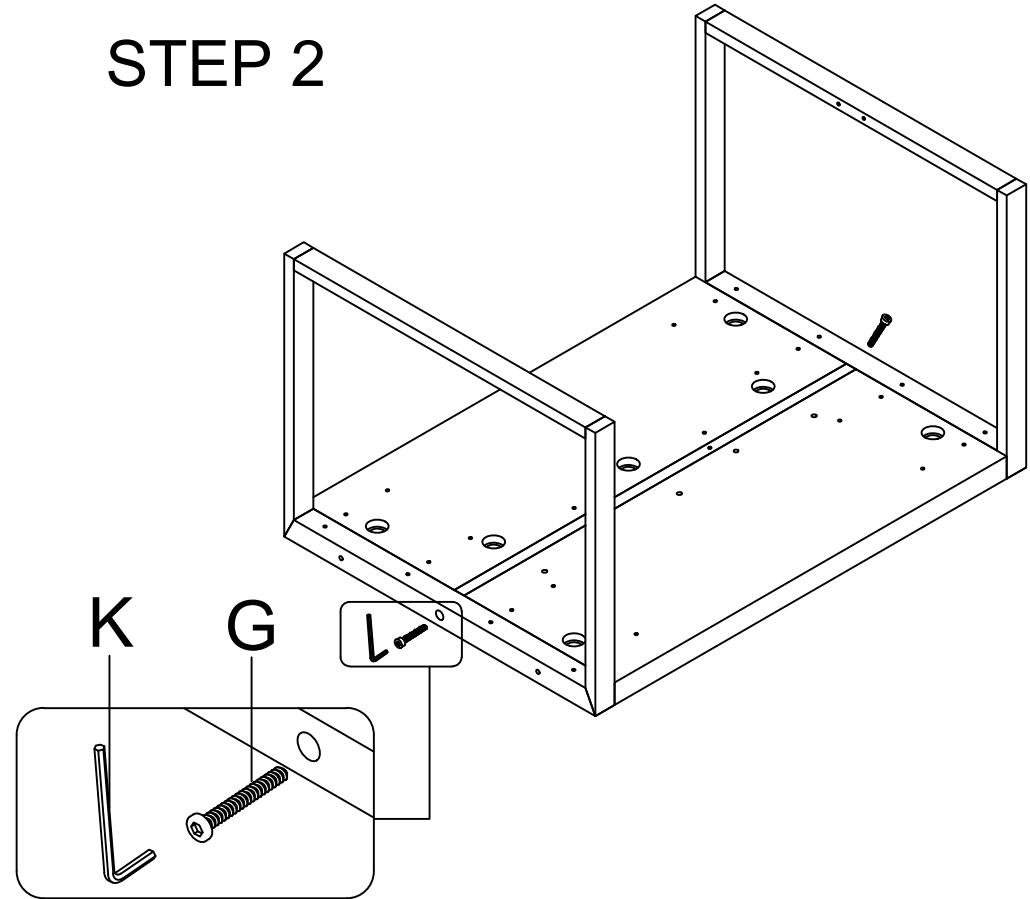
ASSEMBLY INSTRUCTION






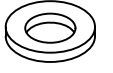


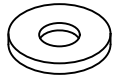

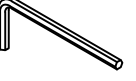

At least 2 people are required for product assembly

STEP 1



STEP 2

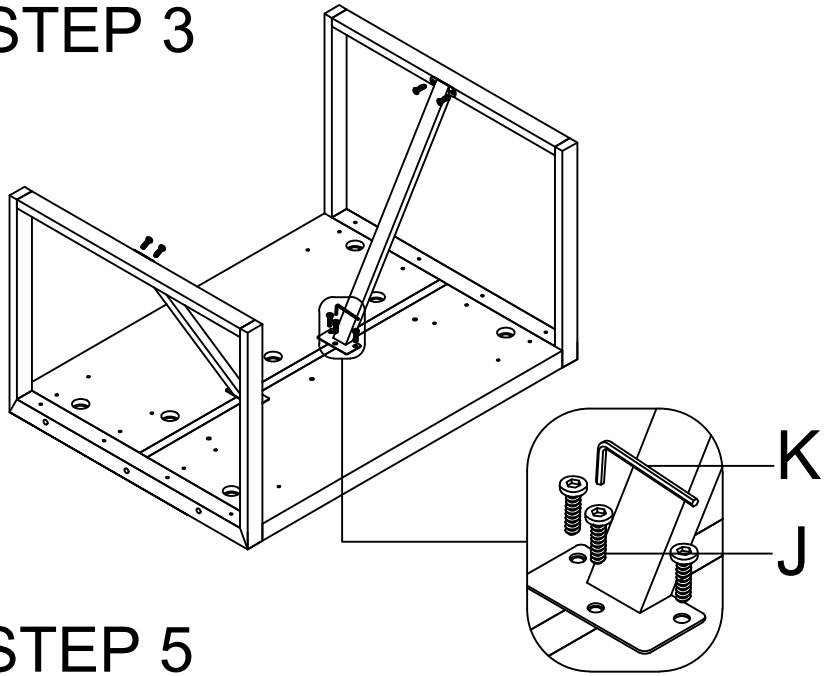


A  7pcs	B  M8*160 7pcs	C  7pcs	D  M8 7pcs	E  1pc	F  $\phi 16*1.5$ 7pcs
G  M8*60 2pcs	H  M8*35 40pcs	I  $\phi 22*1.5$ 40pcs	J  M8*25 10pcs	K  M5 1pc	L  7pcs

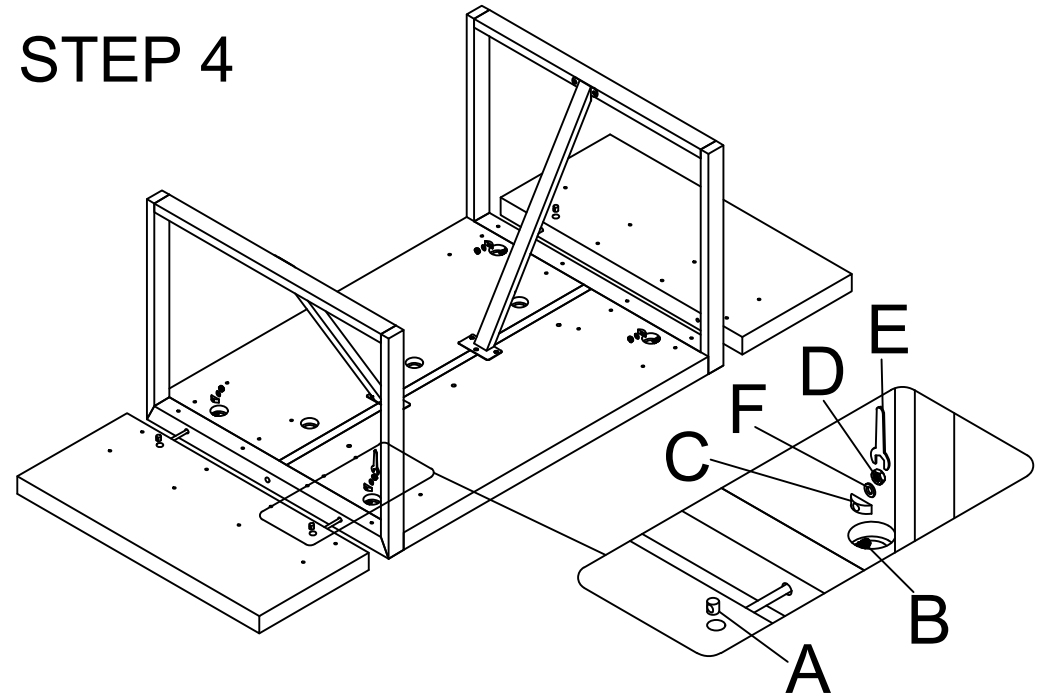
ASSEMBLY INSTRUCTION

At least 2 people are required for product assembly

STEP 3



STEP 4



STEP 5

