

Check That

You have correctly identified the wires.

The connections are tight.

No loose strands have been left out of the connection block.

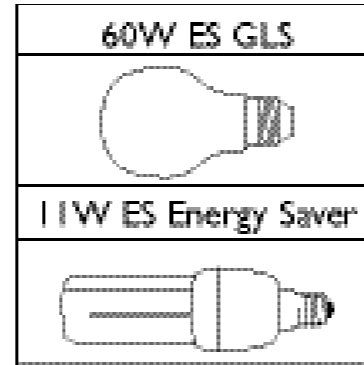
Commissioning

9. Refit the cover on top of the IP terminal block.
10. Refit the lampholder assembly to the top of the tube. Ensure that the cable does not get snagged.
11. Refit the shade, ensuring that any seals are correctly located in position.
12. Replace fuse or circuit breaker and switch on. Your light is now ready for use.

Fitting / Replacing Bulbs

When changing a bulb, always switch off at the mains and allow the bulb to cool before handling. Dispose of used bulbs carefully. Use a soft cloth to handle bulbs, avoid directly touching the bulbs as this will shorten their life.

Do not exceed the wattage stated or use a different shape bulb from that indicated on the fitting.



Care and Cleaning

We recommend cleaning with a soft dry cloth.

Do not use solvents or abrasive cleaners as these could damage the finish.

Do not clean the units with a pressure washer.

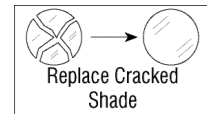
Recycling Advice



Waste electrical products should not be disposed of with household waste. Please recycle where facilities exist. Check with your Local Authority or retailer for recycling advice.

Safety Information

For your safety, always switch off the supply before changing lightbulbs, or cleaning.



The shade must be replaced immediately should the shade become cracked or damaged. This fitting must not be used without the shade in place.



Bollard

Thank you for purchasing this light fitting.
Please read the instructions carefully before use to ensure safe and satisfactory operation of this product.
Please retain these instructions for future reference.

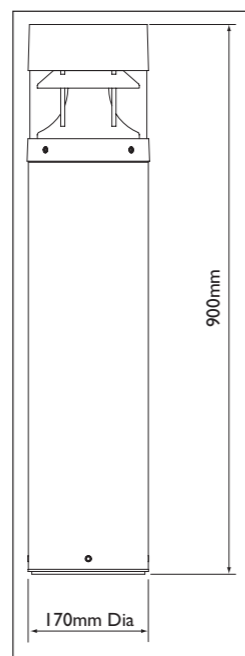
Warning

This is a Class I product and must be earthed.

Please read these instructions carefully before commencing any work.
This unit must be fitted by a competent and qualified electrician.
Install in accordance with IEE Wiring regulations and current Building Regulations.
To prevent electrocution switch off at mains supply before installing or maintaining this fitting. Ensure other persons cannot restore the electrical supply without your knowledge. If you are in any doubt, please consult a qualified electrician.
This light fitting should be connected to a circuit with a 30mA RCD fitted.
If replacing an existing fitting, make a careful note of the connections.
Always use the correct type and wattage bulb. Never exceed the wattage stated.
When changing a bulb, always switch off at the mains and allow the old bulb to cool down before handling.
Dispose of used bulbs carefully and responsibly.
Waste electrical products should not be disposed of with household waste. Please recycle where facilities exist.
Check with your local authority or retailer for recycling advice.
This product is rated at IP65.
This product is not suitable for location in or near a marine or sea environment.
The entire unit gets hot whilst on for a period of time.

Specification

Voltage: 240V 50Hz a.c.
Lamp: 60W E27 (ES) GLS or 11W E27 (ES) Compact Fluorescent
IP rating: 65



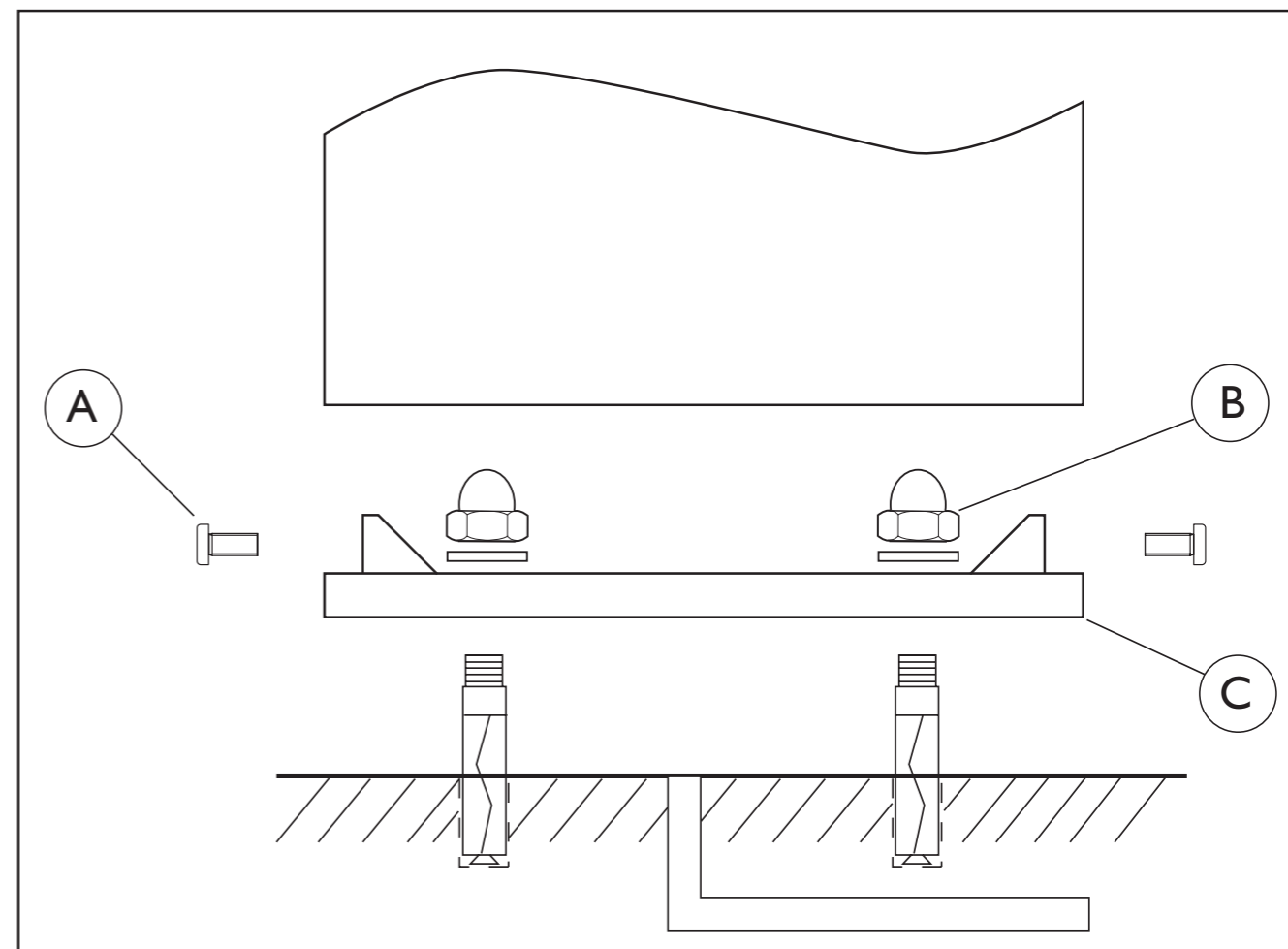
Layout

- Plan the desired layout of this fitting carefully, ensuring the cables will reach the distance between the junction box and the light fitting.
- This product is designed for domestic and light industrial use. It should not be used to support other objects or used as a replacement for concrete or metal pillars.
- Avoid locating any cables in positions that would cause a hazard. Position cables and outdoor rated junction boxes (not supplied) away from areas where they may be at risk from being cut, trapped or damaged.
- We recommend that you use H05RN-F specification cable (not supplied) which is an outdoor grade, rubber sheathed cable. The mains supply cable must have a minimum cross sectional area of 1.0mm²
- Cables must be protected using suitable conduit or plastic trunking.

Installation

Existing fittings must be completely removed before installation of a new product. Before removing the existing fitting, **carefully note the position of each set of wires.**

- Undo the four screws (A) holding the base plate (C) onto the bollard. Set aside.
- Undo the four screws holding the shade on. Set the shade and screws aside.
- The product must be mounted onto a concrete base or paving slab. It should not be directly installed in the soil. Using base plate as a template, mark the fixing holes onto the mounting surface.
- Drill holes to the necessary size and depth - taking care not to damage any concealed pipes or wiring below the mounting surface.
- This product comes complete with expanding bolt type fixings (B) which are suitable for use on most surfaces, however alternative fixings may be required.
- Double check that the fixings line up with the holes in the fitting. Push the fixing bolts into the mounting holes. Fit the base (C) and secure using the bolts (B).
- Undo the screws holding the lampholder assembly in place and set aside. Lift off the assembly and remove the cover from the IP terminal block.
- Pull the cable through the conduit. Refit the main tube to the base plate.



Wiring

Having correctly identified the wiring from your existing light fitting, connect to the connection block inside the product in the following way:

