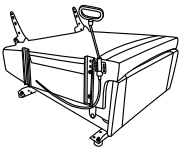
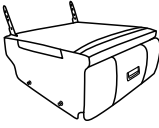
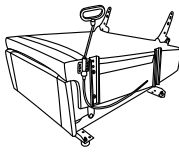
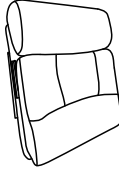


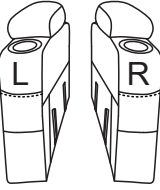
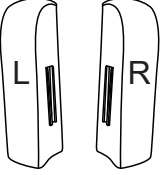

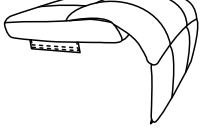
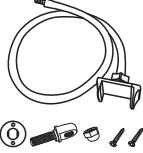



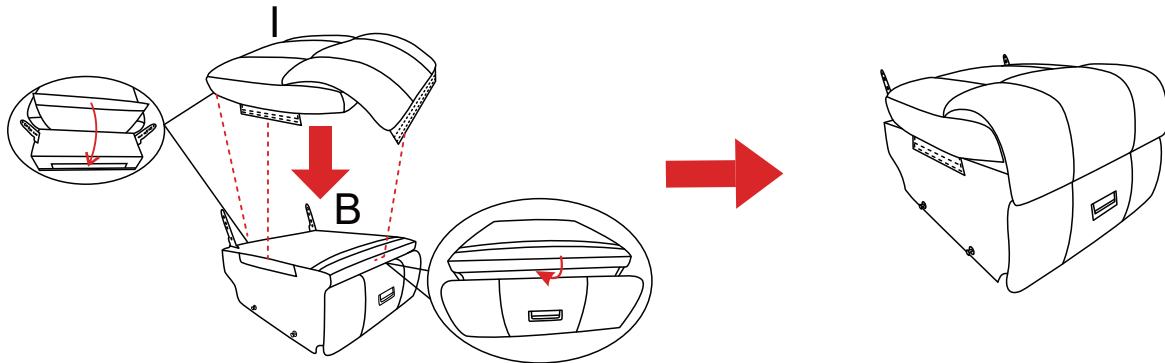


Loveseat Recliner Assembly Instruction

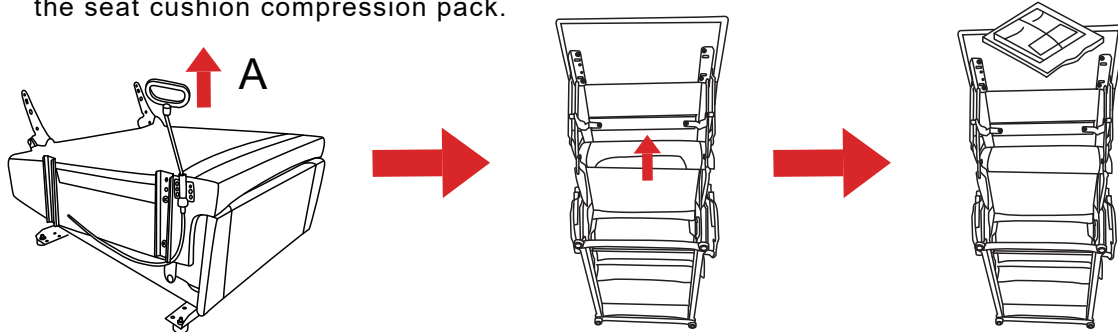
Ax1 	Bx1 	Cx1 	Dx1 	Ex1 	Fx1 	Gx2 
Hx2 	Ix1 	Jx2 	Kx2 	Lx2 	Mx1 	Nx1 

STEP 1 Open the drawer, align the seat cushion (I) and seat frame (B) before assembling, and secure them with Velcro at all angles.

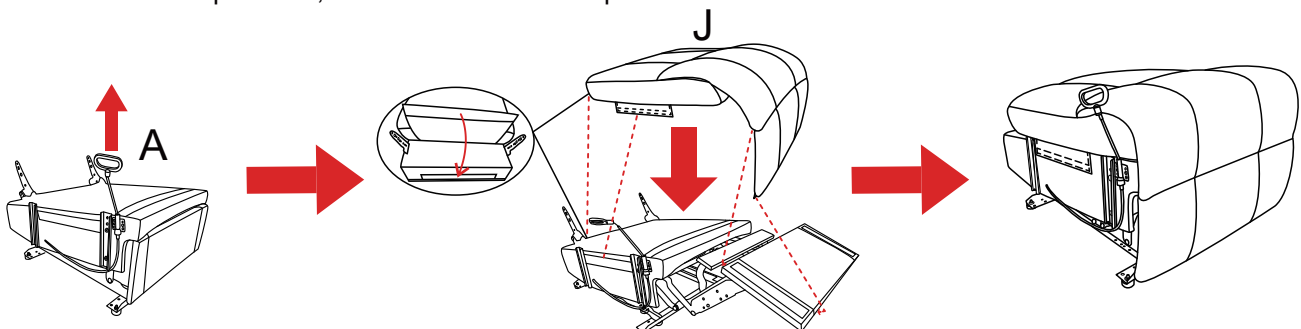


Before installation, please remove the fabric strip from the Velcro hook side of the seat frame.

STEP 2 The seat cushion compression pack is inside the seat frame. Open the footrest to take out the seat cushion compression pack.



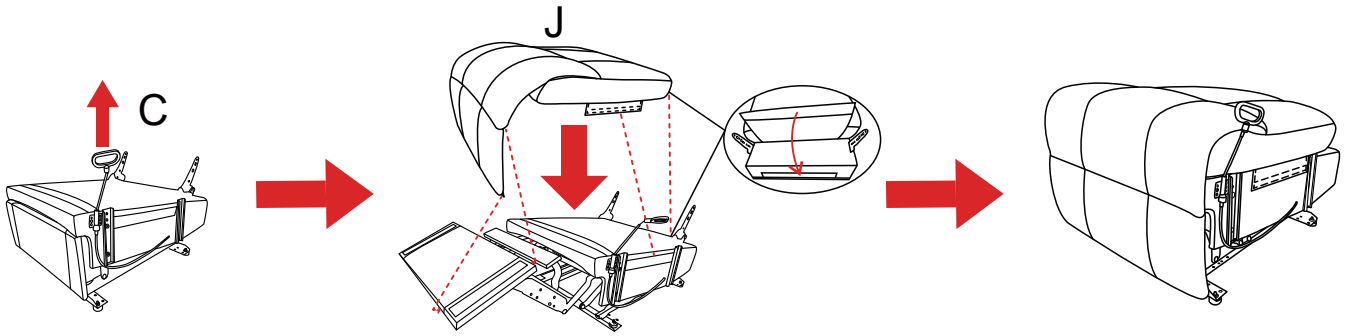
STEP 3 Open the footrest, align the Velcro positions of the seat cushion (J) and seat frame (A), push the footrest back about 45-60 degrees, grasp both sides with both hands, first fasten the Velcro at the footrest position, then fasten the other positions.



Loveseat Recliner Assembly Instruction

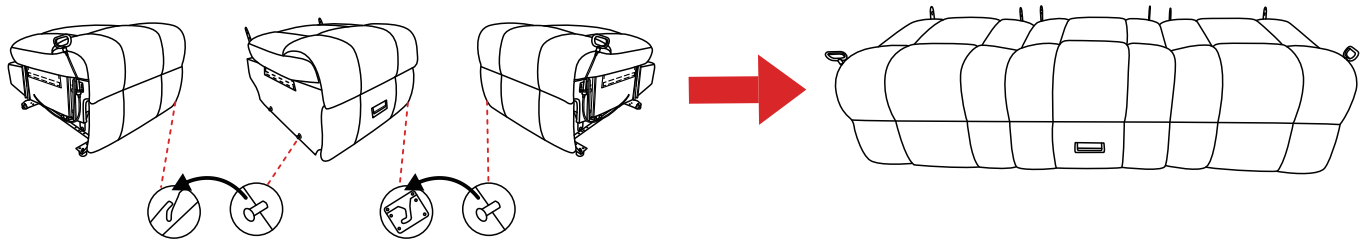
STEP 4

Open the footrest, align the Velcro positions of the seat cushion (J) and seat frame (C), push the footrest back about 45-60 degrees, grasp both sides with both hands, first fasten the Velcro at the footrest position, then fasten the other positions.

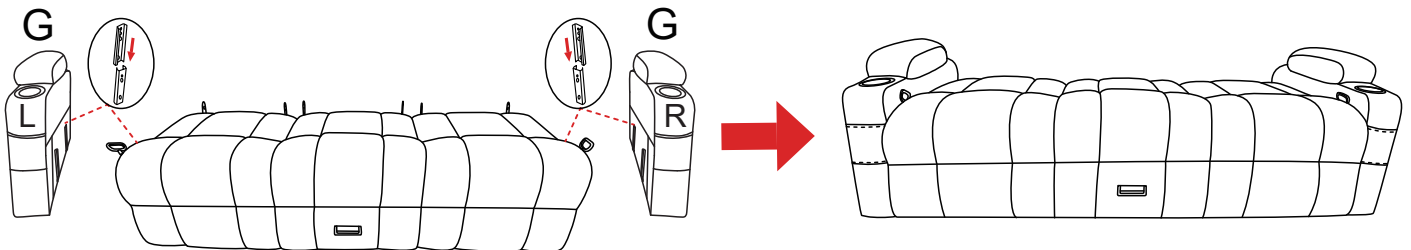


STEP 5

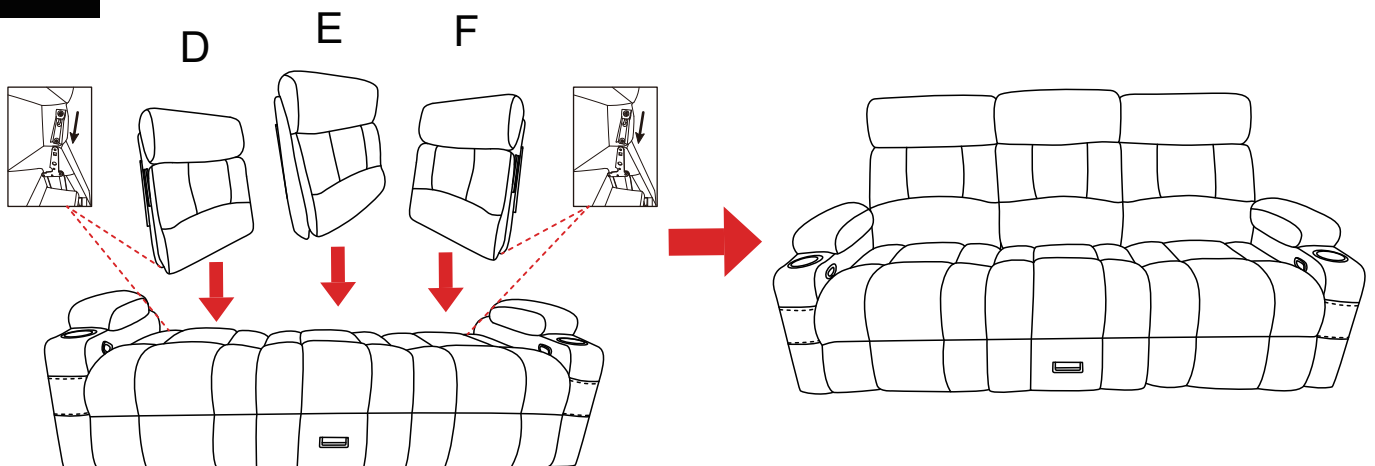
Install from left to right



STEP 6

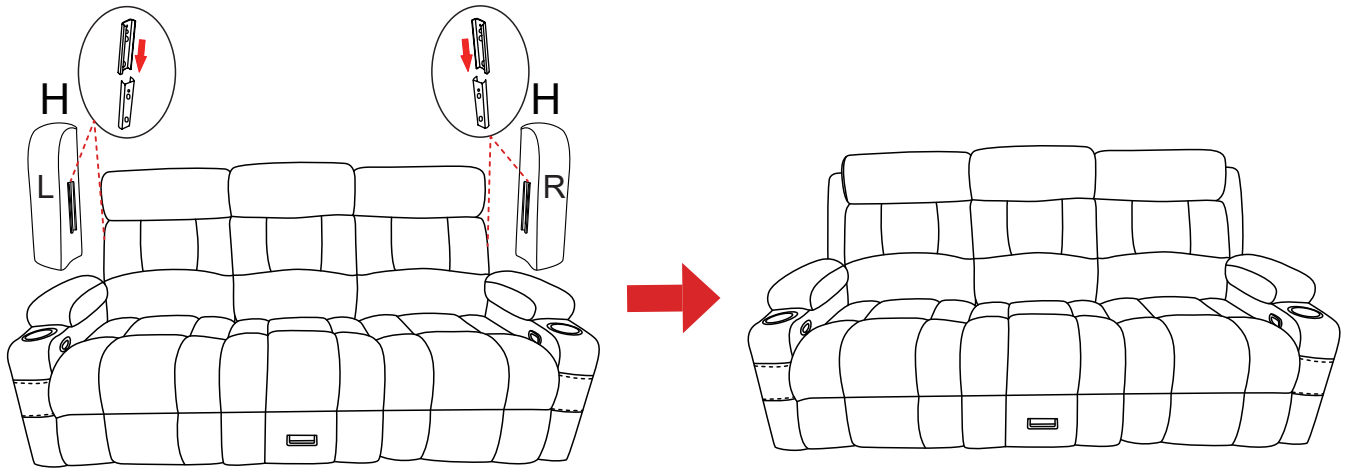


STEP 7

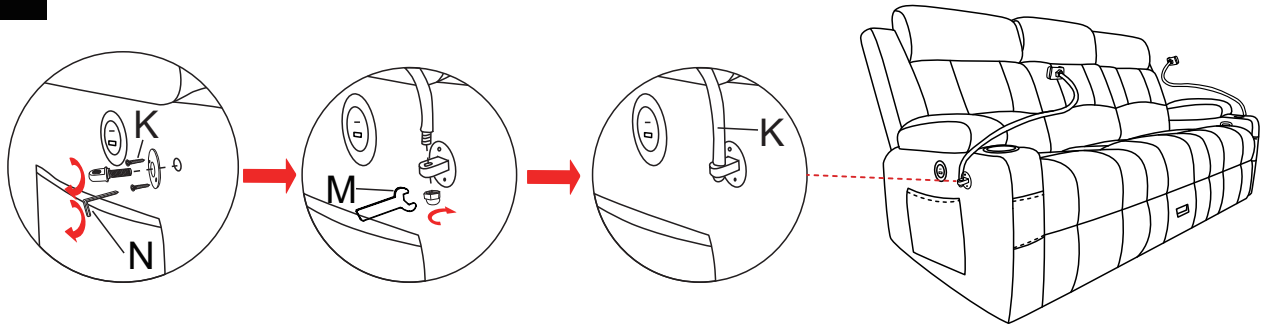


Loveseat Recliner Assembly Instruction

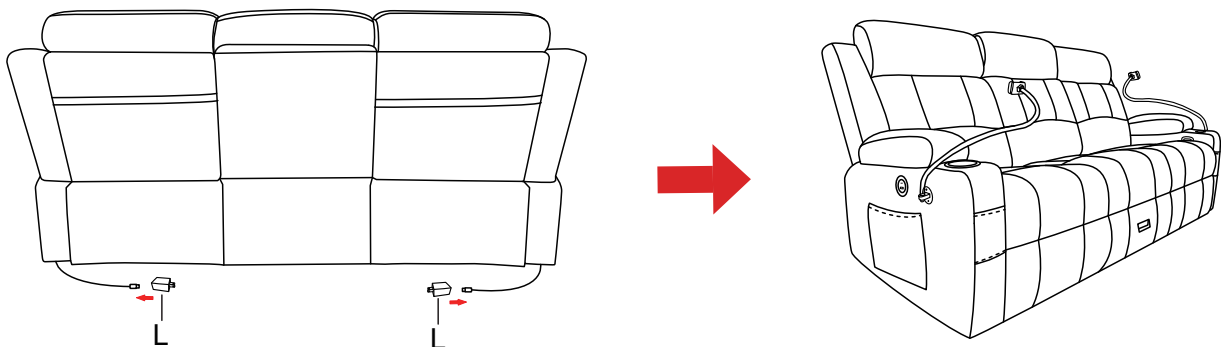
STEP 8



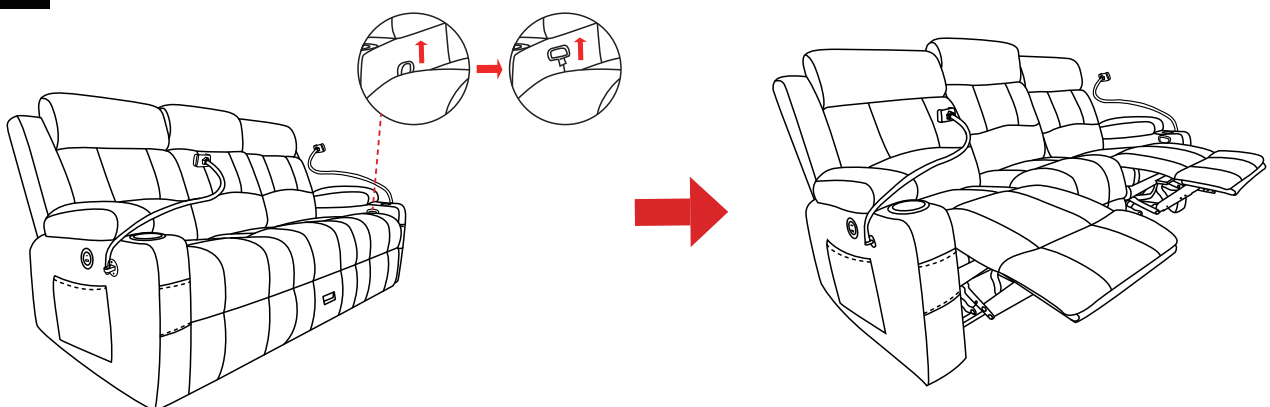
STEP 9



STEP 10

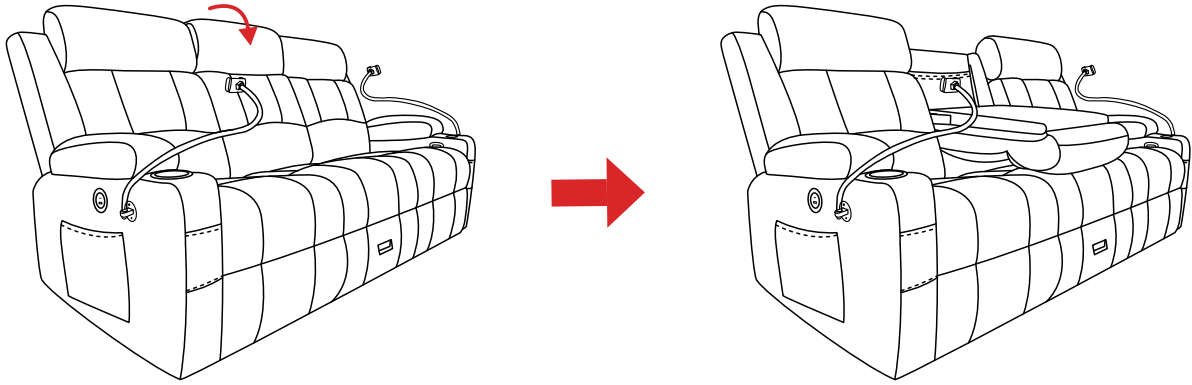


STEP 11

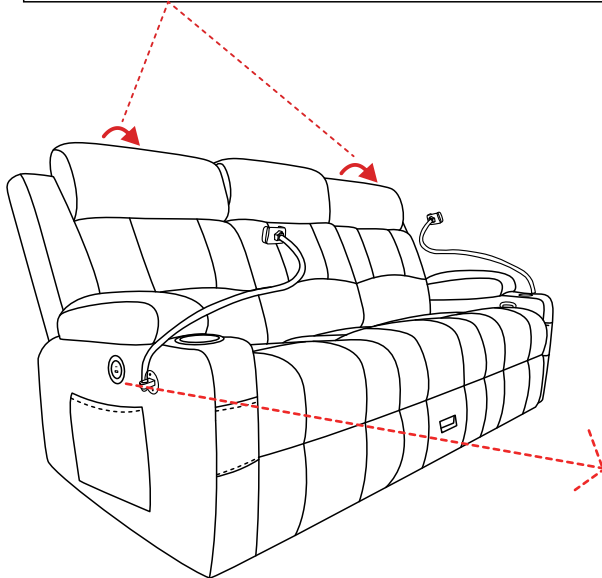
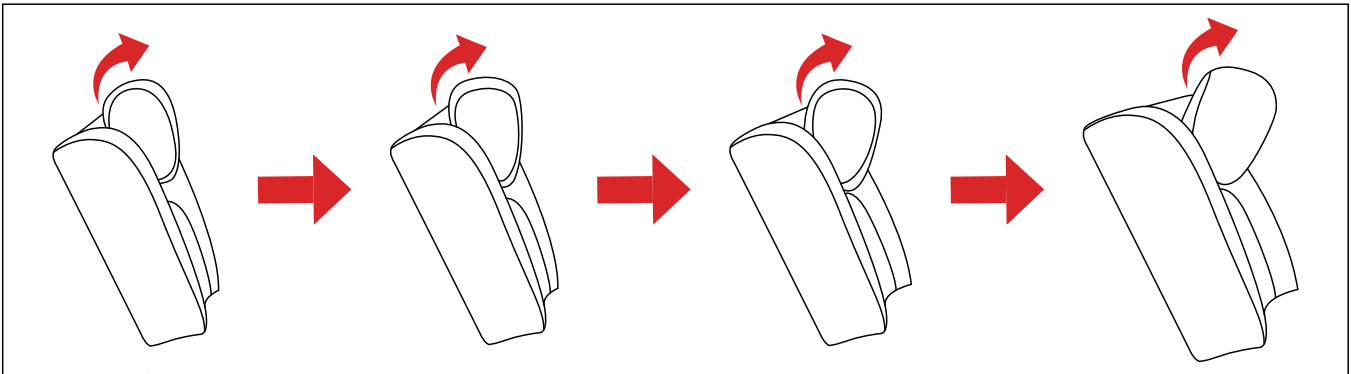


Loveseat Recliner Assembly Instruction

STEP 11



STEP 12



Tips:

To reset the headrest: Push the headrest forward to its maximum tilt angle, then return it to its original position.

Warm reminder:
The Type-C and USB ports are only for mobile phones.

Please be sure to open the vacuum-sealed seat cushion bag at last

1.If you confirm that there are no issues with structural stability product damage color differences fabric quality dimensions or the integrity of other parts you can continue assembling.

2.Open the sealed bag with scissors (be careful when using scissors). It may take 1-3 days for the backrest and seat cushion to fully unfold; please be patient. First, check and carefully use scissors to open the vacuum-sealed bag. You can open one package at a time; if you're satisfied with it, proceed to open the others. Then place the backrest bag on the sofa as shown in the picture.

