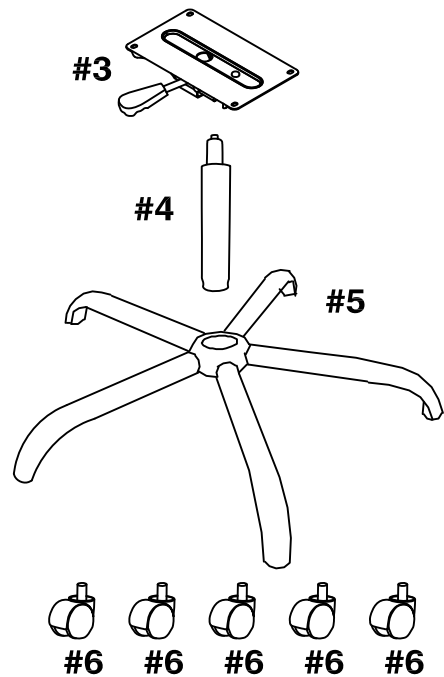
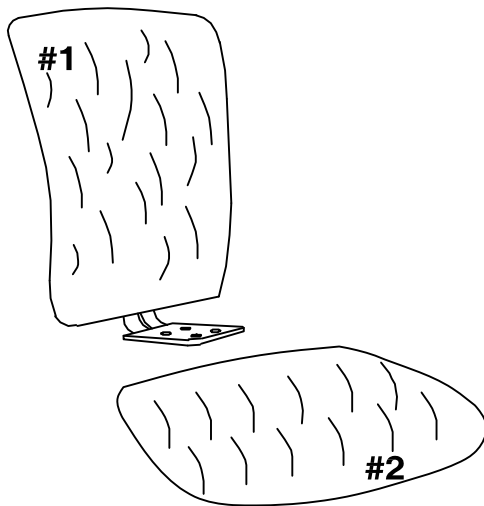


FAUX ARMLESS CHAIR



Part List

#1	Chair back	01
#2	Chair seat	01
#3	Mechanism	01
#4	Gaslift	01
#5	Base	01
#6	Caster	05



Hardware List

A	Bolt(M6x20mm)		02
B	Bolt(M6x30mm)		06
C	Flat washer		08
D	Spring washer		08

Tools required

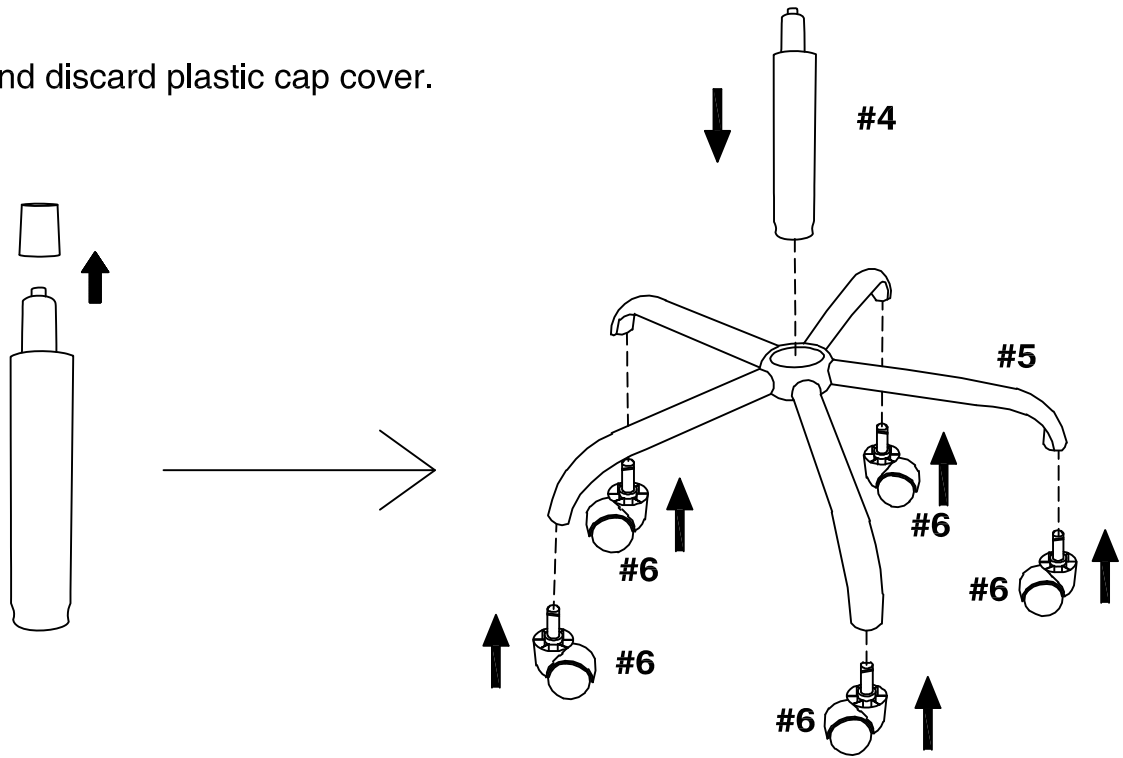
Allen key		Supplied
-----------	--	----------

IMPORTANT:

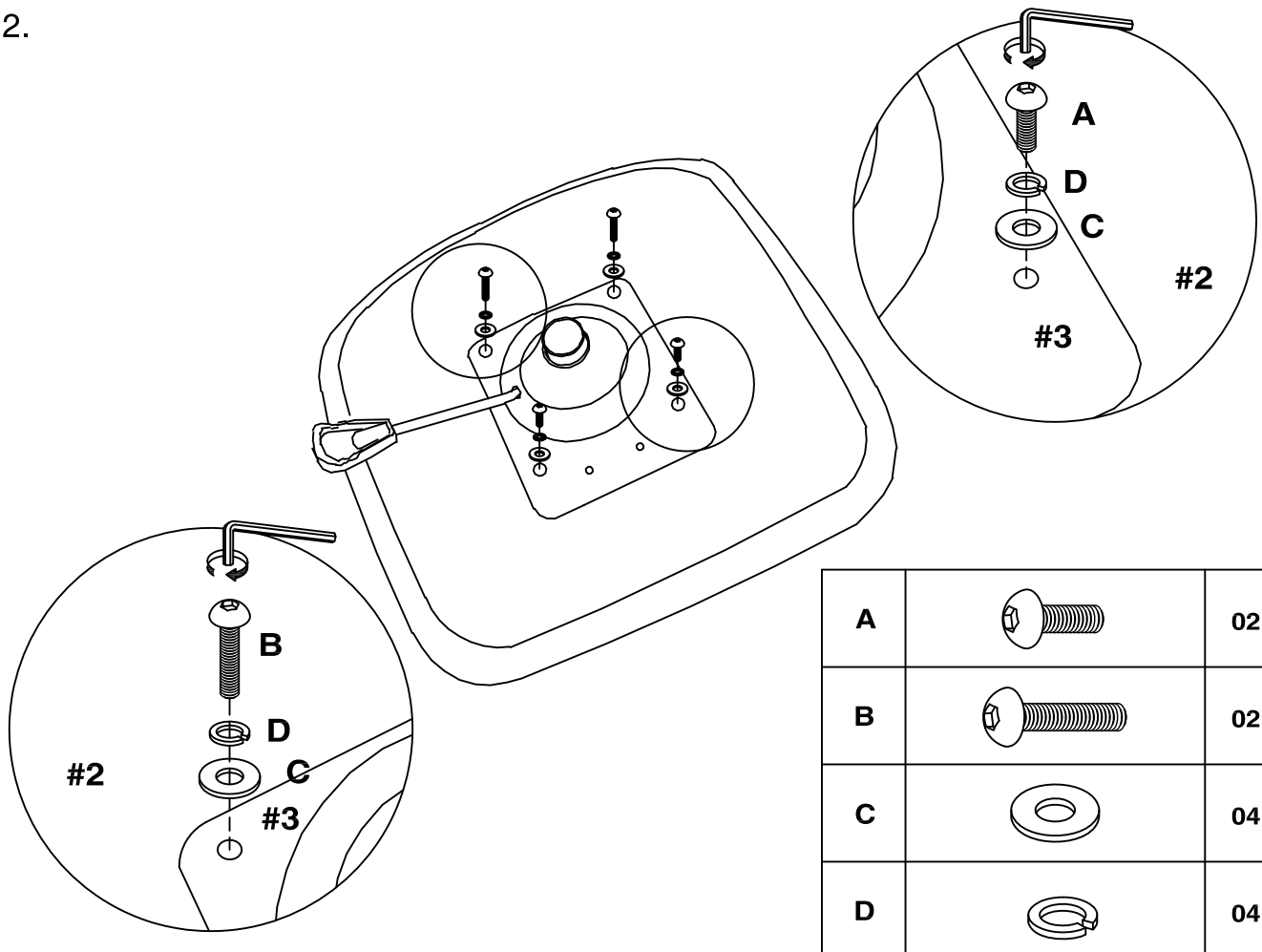
1. Do not tighten bolts completely until all bolts are completely lined up and inserted into holes / nuts.
2. Do not over tighten screws and bolts to avoid stripping.
3. Please use hand tools to assemble this product. Do not use power tools.

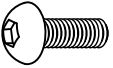

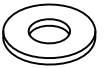
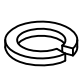
1.

Remove and discard plastic cap cover.

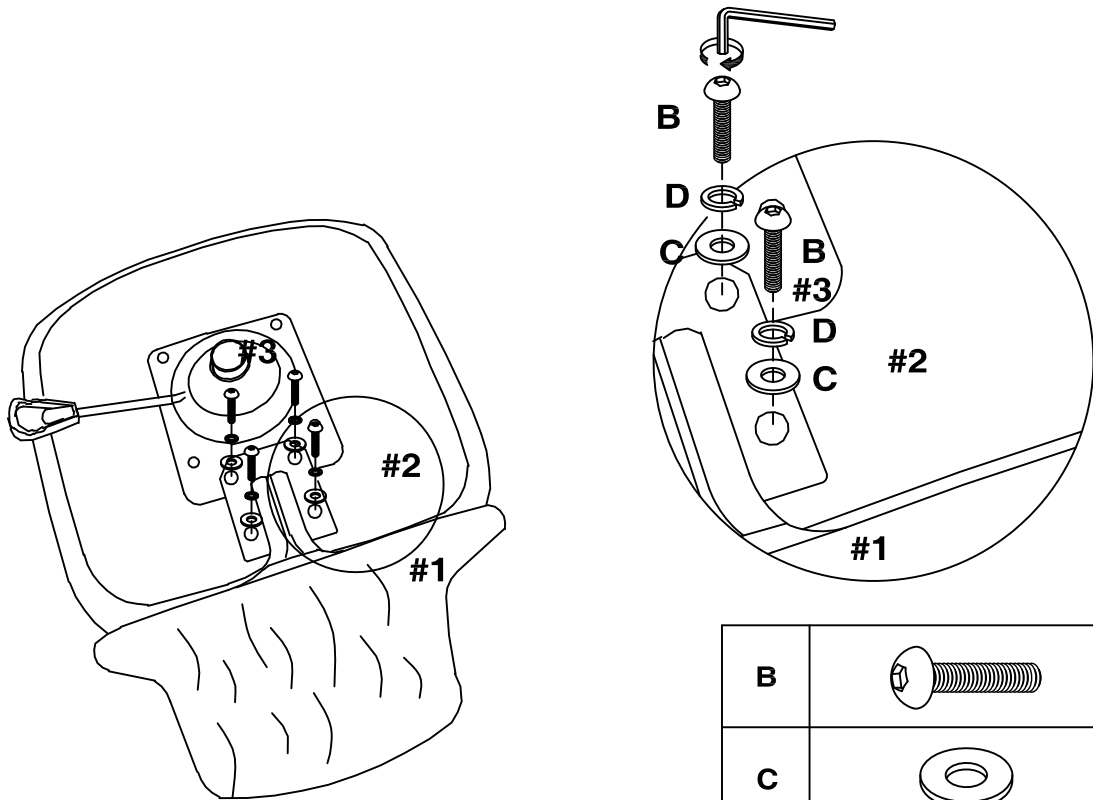




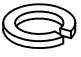
2.



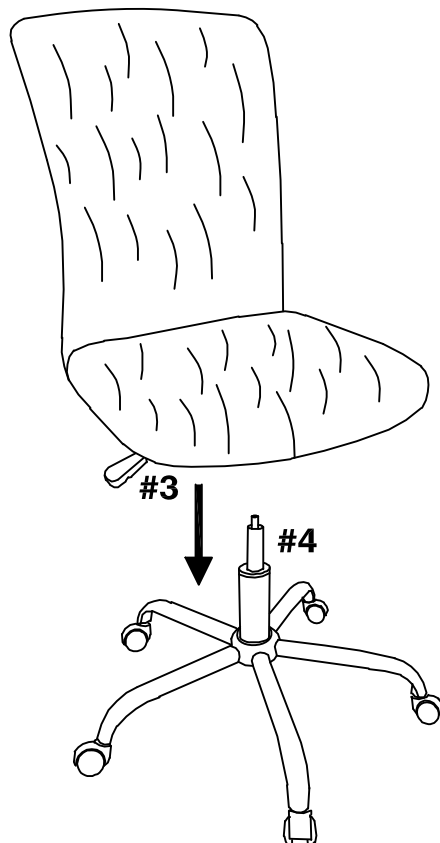
A		02
B		02
C		04
D		04

3.



B		04
C		04
D		04

4.



MADE IN CHINA
 FABRIQUÉ EN CHINE
 HECHO EN CHINA