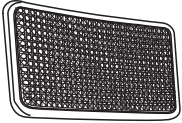


# ASSEMBLY INSTRUCTION

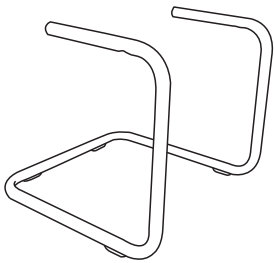
Ax1



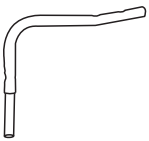
Bx1



Cx1



Dx2



Ex4



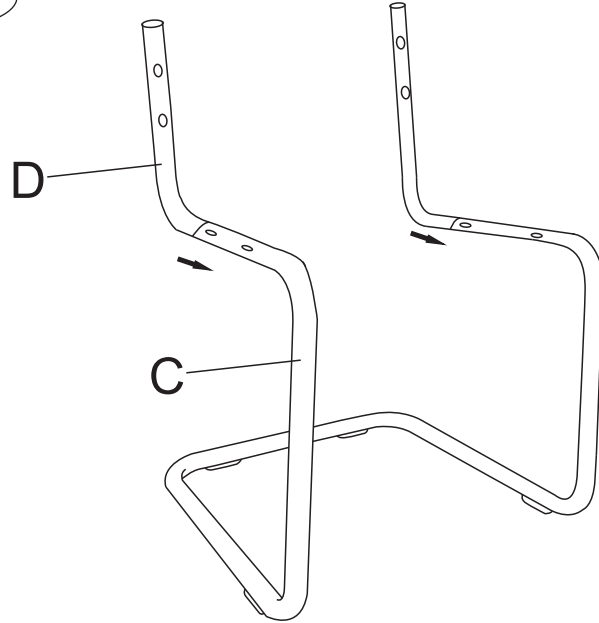
Fx4



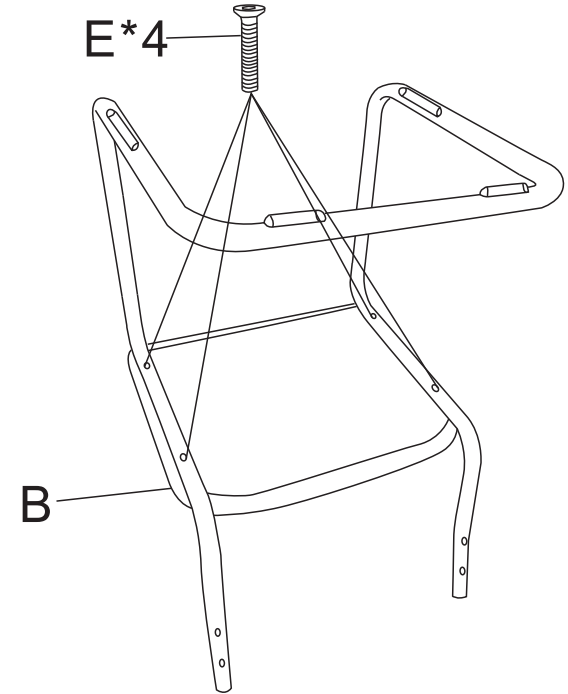
Gx1



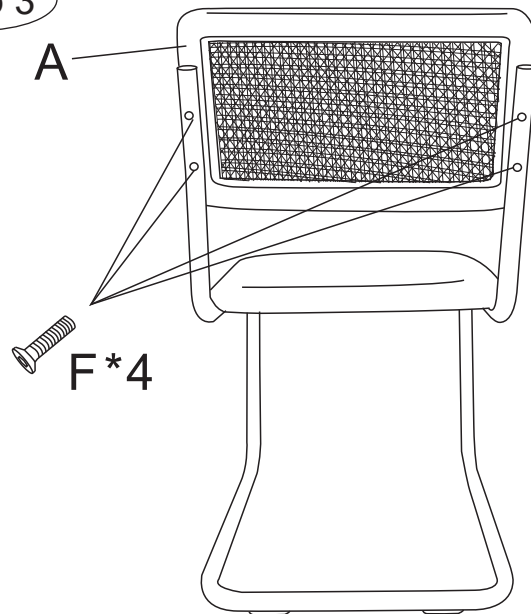
Step 1



Step 2



Step 3



Step 4

