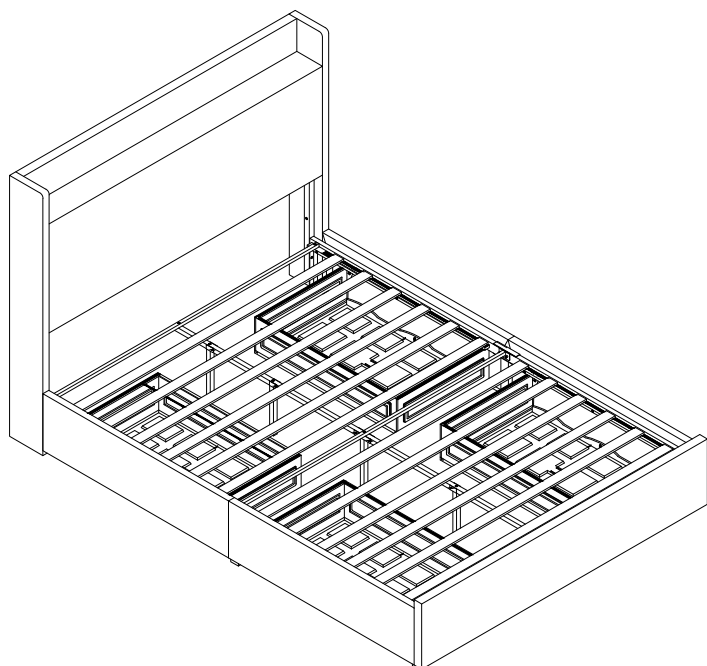


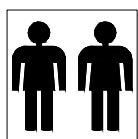
ASSEMBLY INSTRUCTION



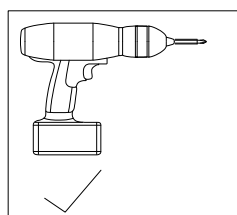
Please **TEAR OFF** this shrink film from side!
DO NOT USE CUTTER!

IMPORTANT NOTE

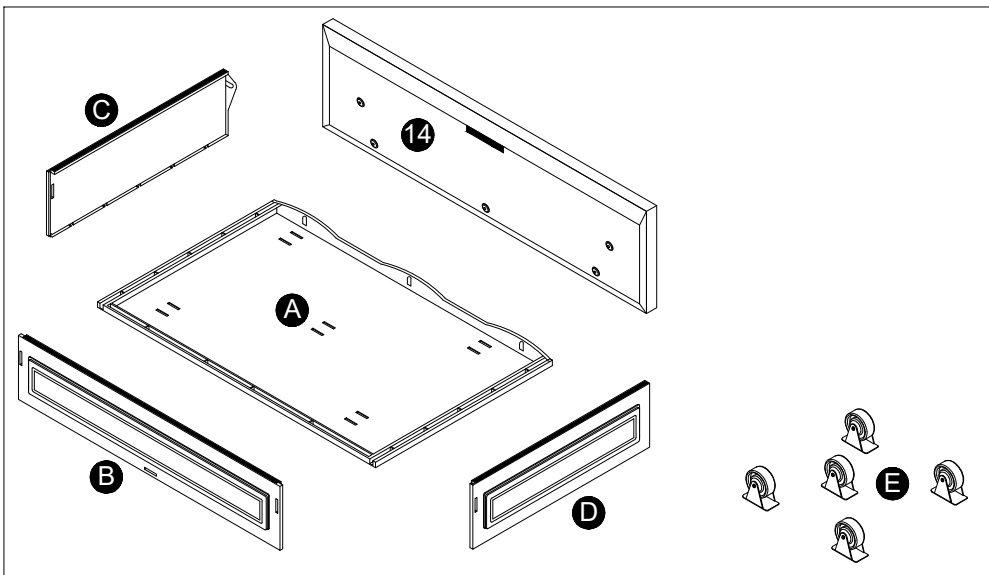
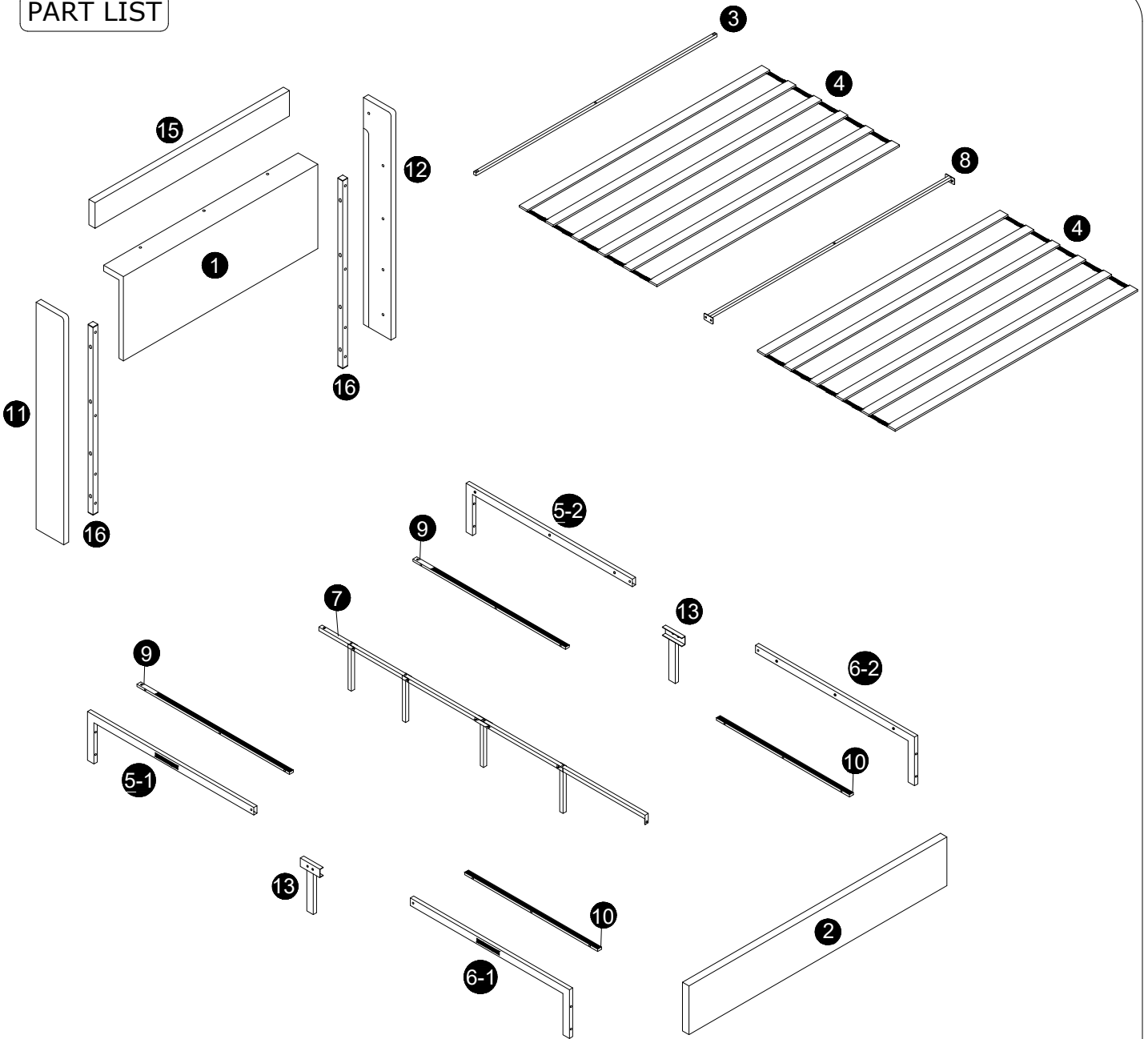
1. FOR THE PROTECTION OF YOUR FURNITURE, PLACE ALL PARTS ON A CLEAN AND SMOOTH SURFACE TO PREVENT ANY DAMAGE.
2. DO NOT USE POWER TOOLS TO ASSEMBLE THE BED.
3. PLEASE PERIODICALLY CHECK ALL FITTINGS AND RE-TIGHTEN AS NECESSARY.
4. DO NOT USE THE BED UNLESS ALL BOLTS AND SCREWS ARE FIRMLY SECURED.
5. NEED PARTS OR ASSISTANCE? EMAIL US
6. YOU CAN ASSEMBLE IT WITH OUR PACKAGING TOOLS OR WITH A.



Minimum two
person assembly



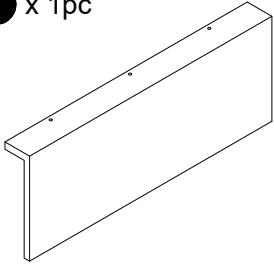
PART LIST



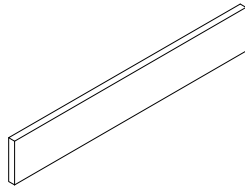
x4

PART LIST

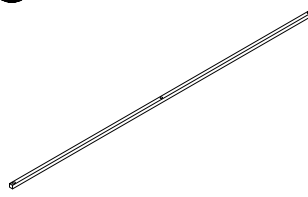
1 x 1pc



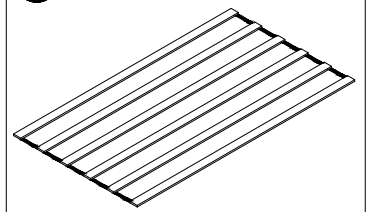
2 x 1pc



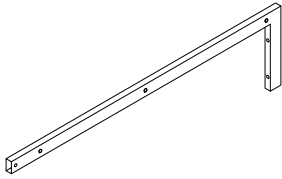
3 x 1pc



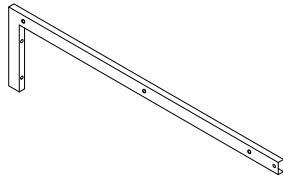
4 x 2pcs



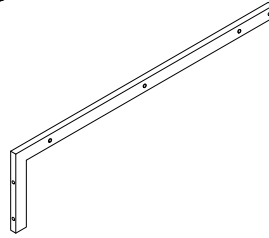
5-1 x 1pc



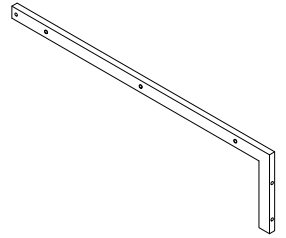
5-2 x 1pc



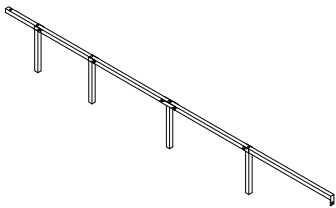
6-1 x 1pc



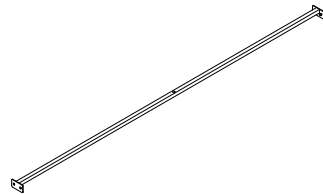
6-2 x 1pc



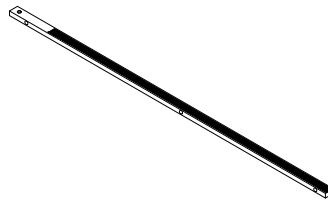
7 x 1pc



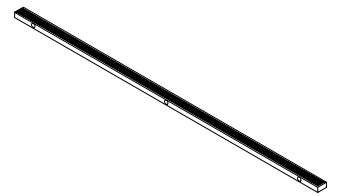
8 x 1pc



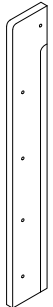
9 x 2pcs



10 x 2pcs



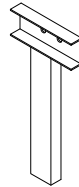
11 x 1pc



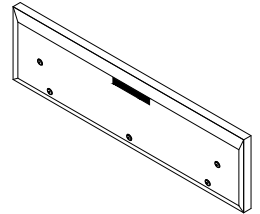
12 x 1pc



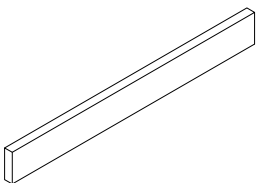
13 x 2pcs



14 x 4pcs



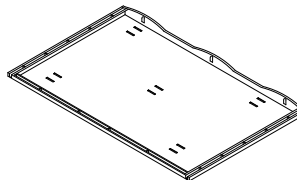
15 x 1pc



16 x 2pcs



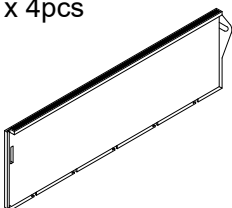
A x 4pcs



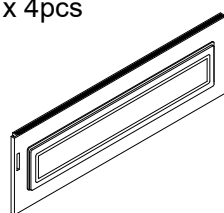
B x 4pcs



C x 4pcs



D x 4pcs



E x 20pcs



HARDWARE LIST



H1 M5 x 1pc



H2 M4 x 1pc



H3 M8x40mm x 21pcs



H4 M8x50mm x 12pcs



H5 M8 x 21pcs



H6 M8x17mm x 12pcs



H7 M8x22mm x 17pcs



H8 M8x65mm x 8pcs



H9 M6x35mm x 7pcs



H10 M6x60mm x 1pc



H11 M6 x 4pcs



H12 M6 x 4pcs

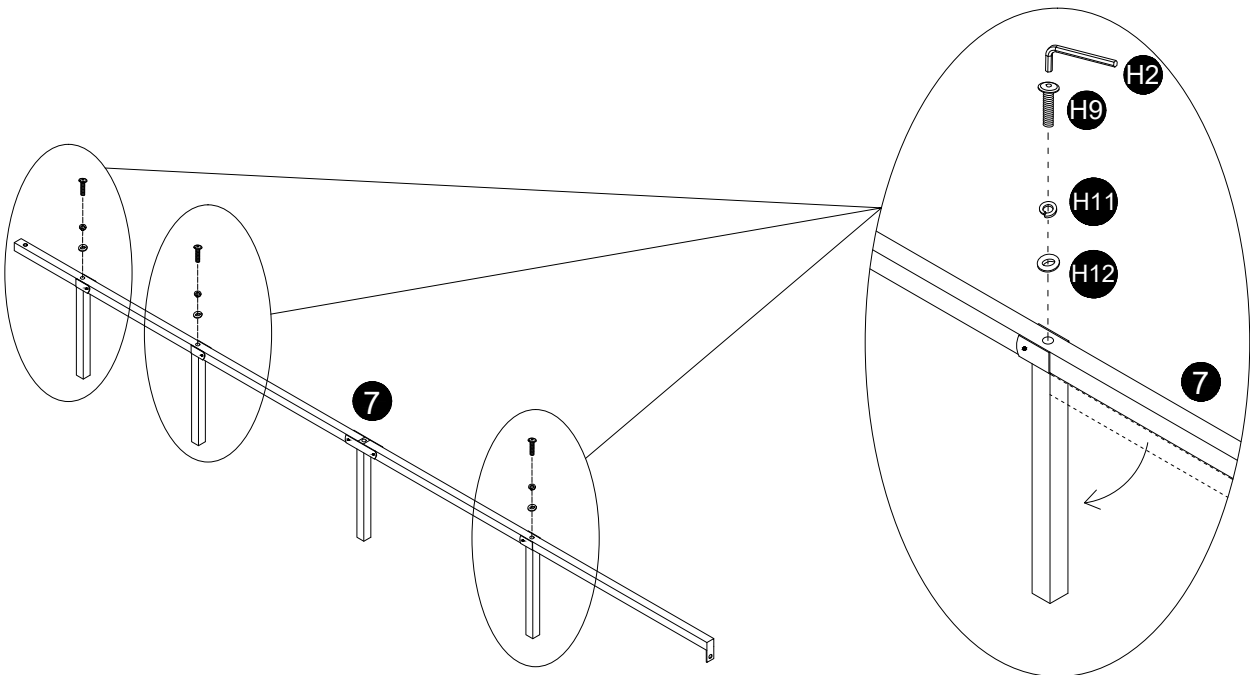


H13 M6x15mm x 20pcs

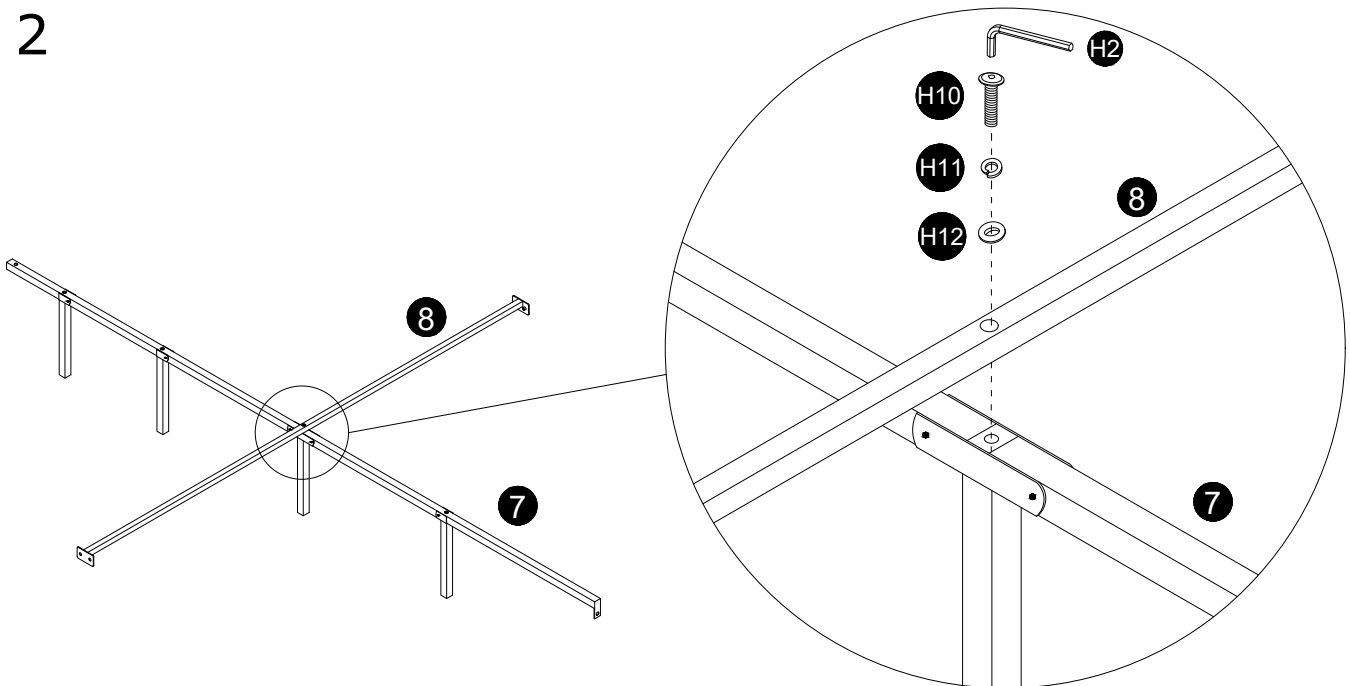


H14 x 12pcs

1

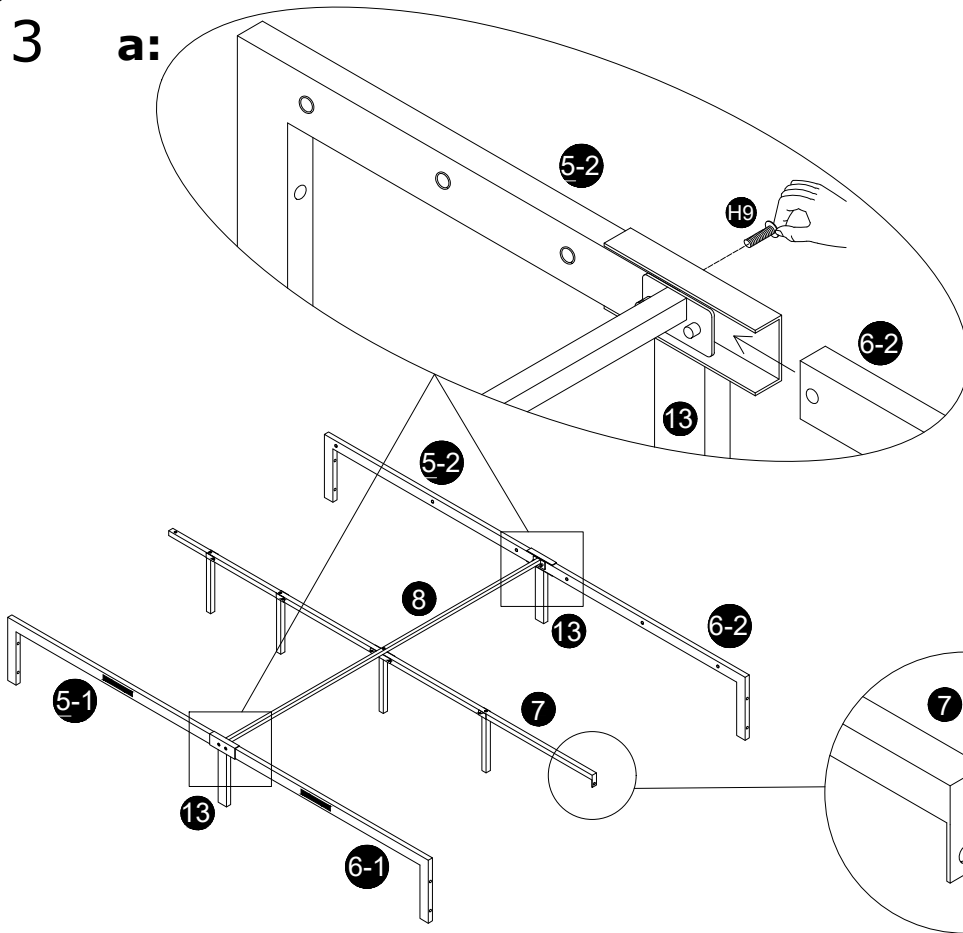


2

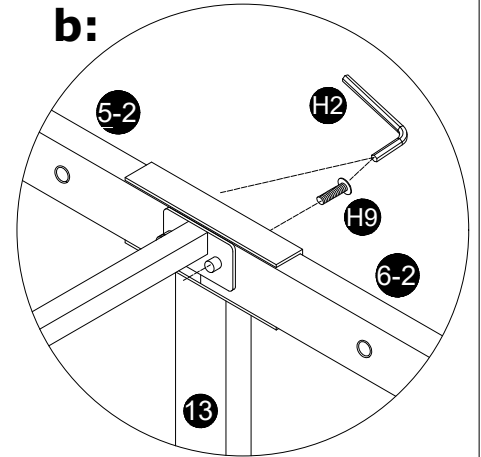


3

a:

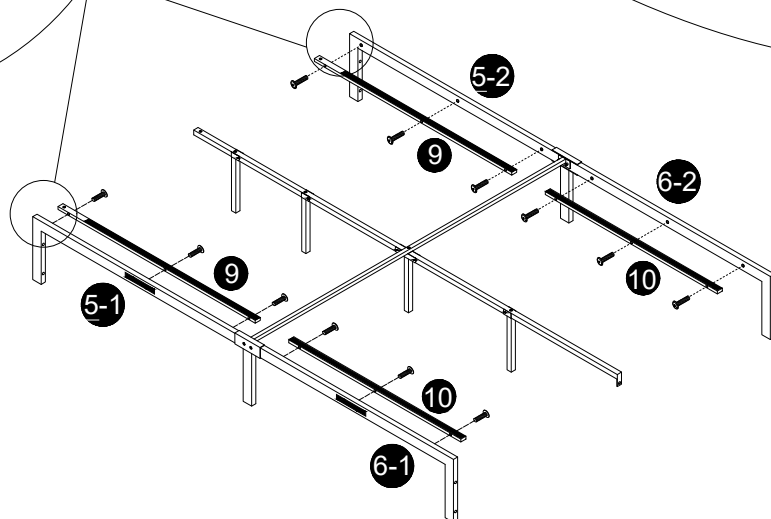
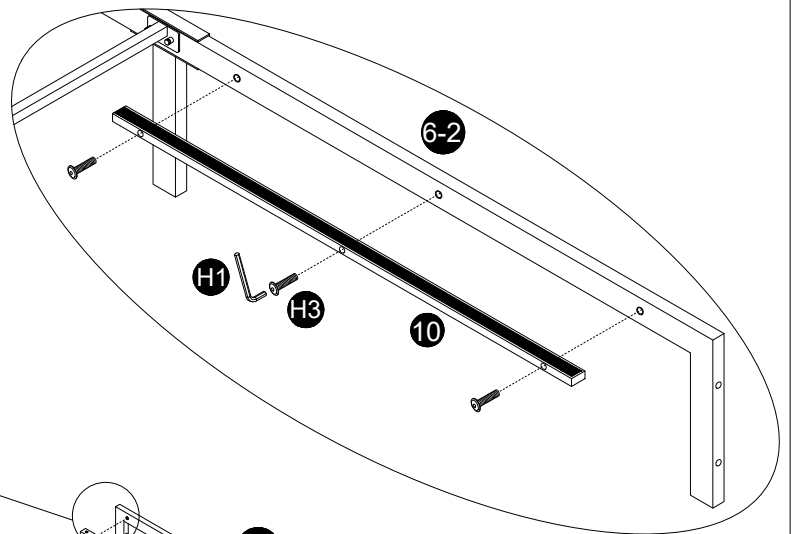
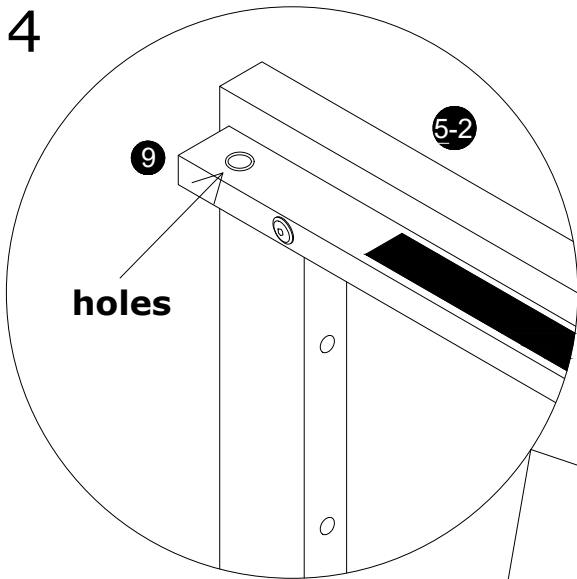


b:

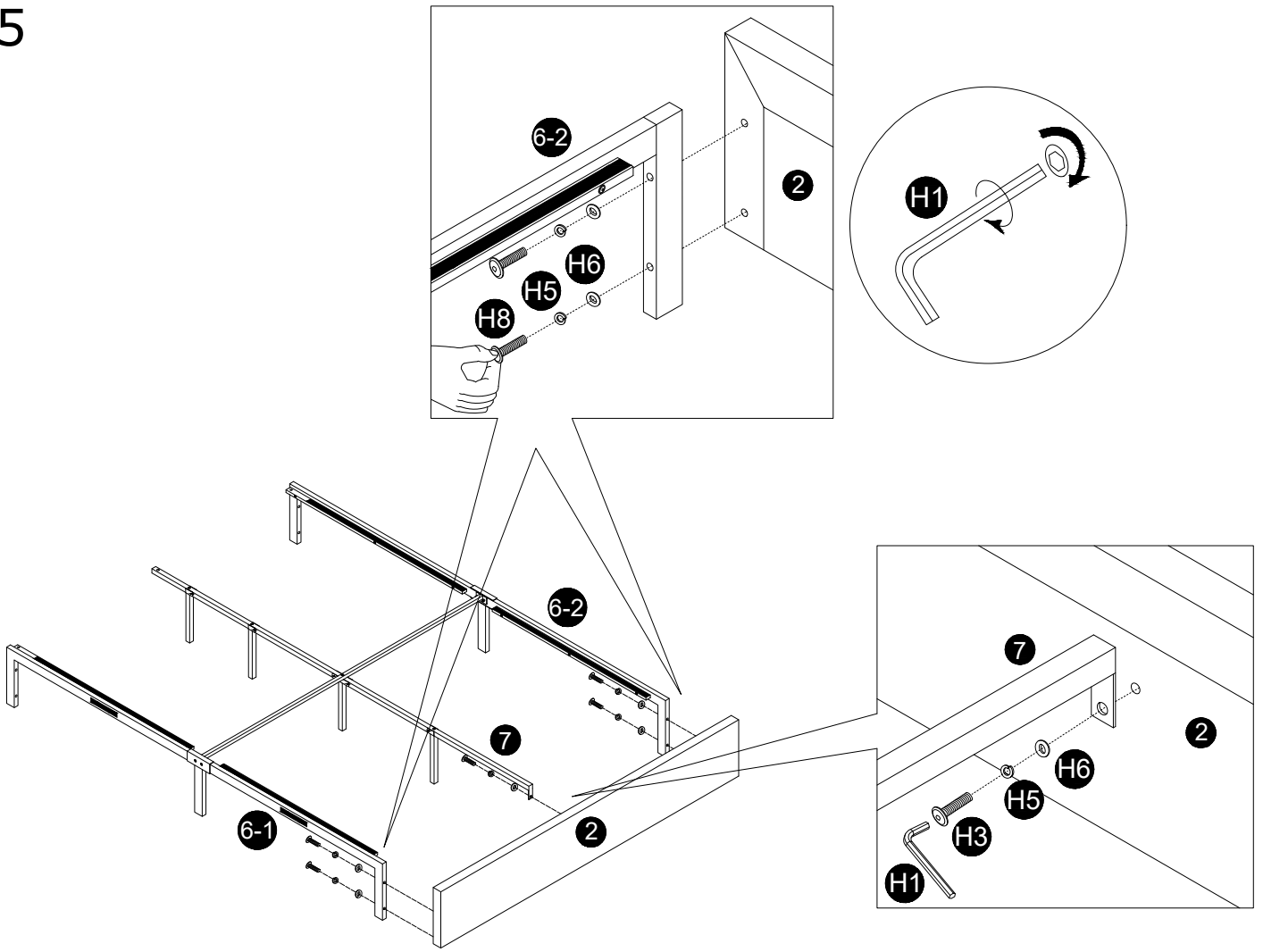


Fully tighten all fixings.

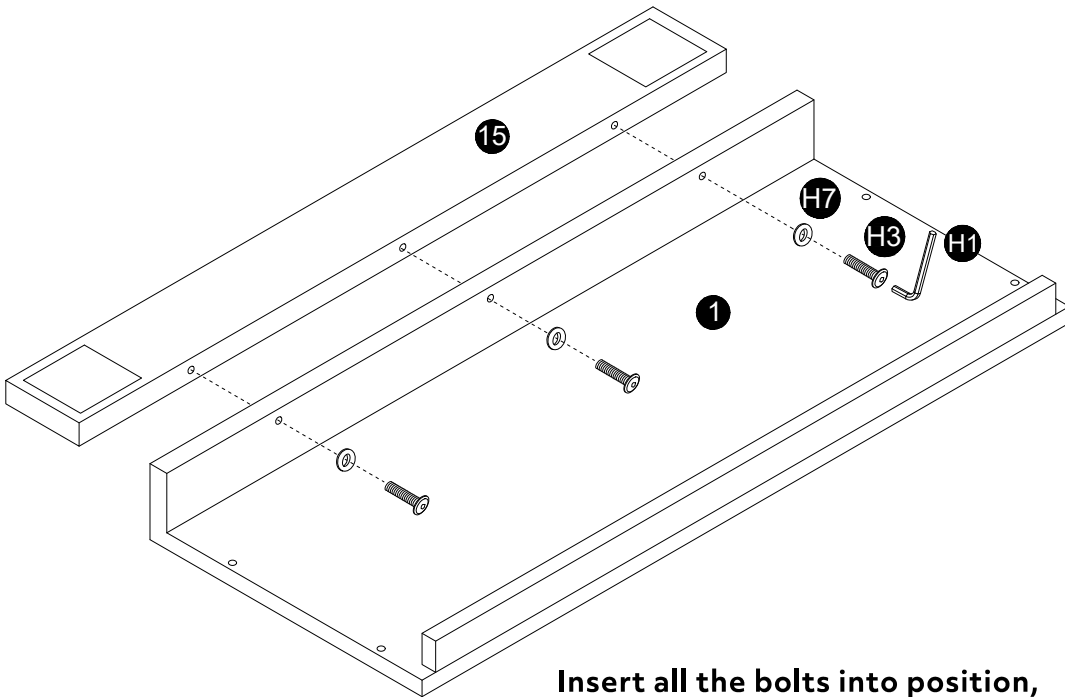
4



5

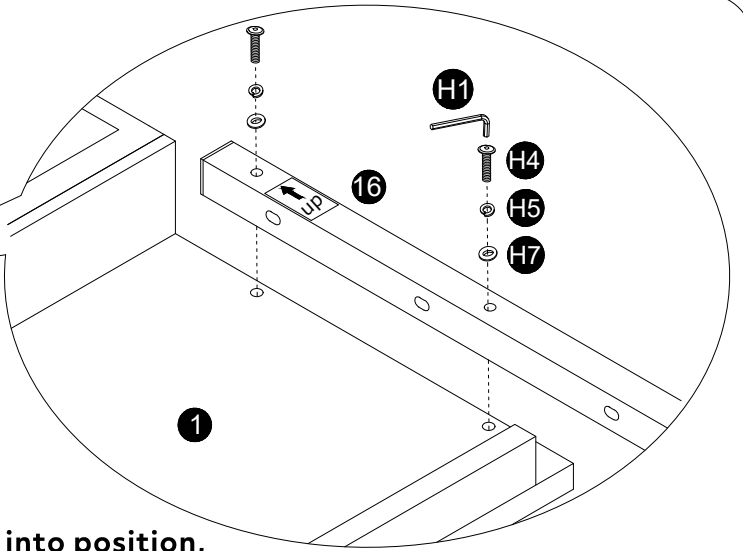
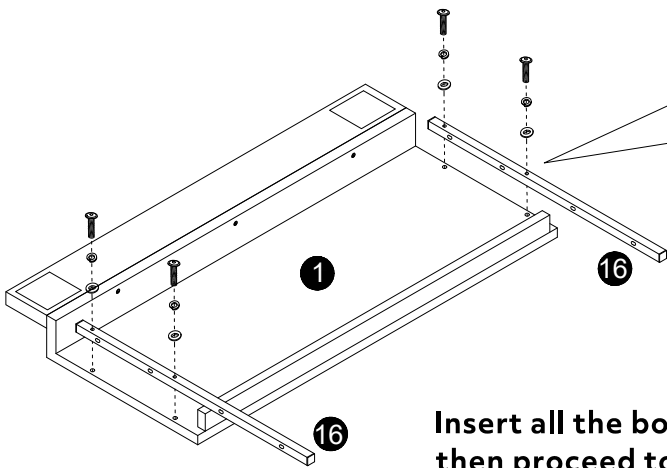


6



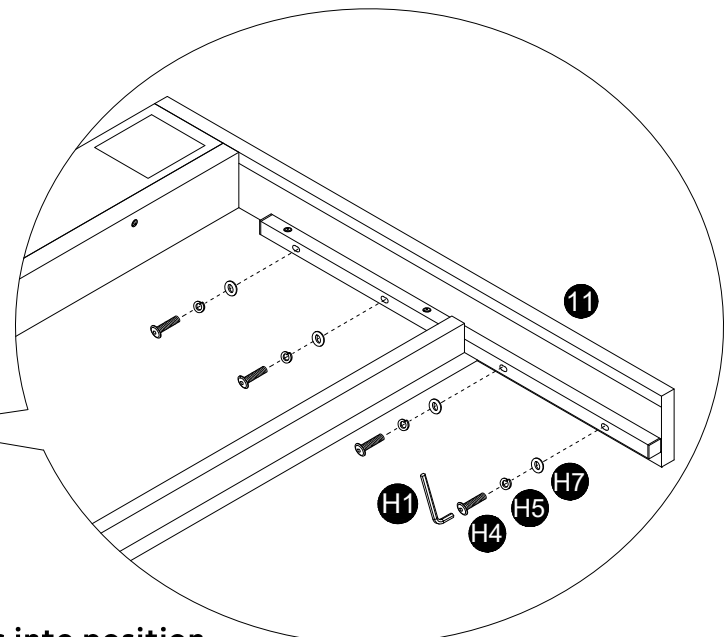
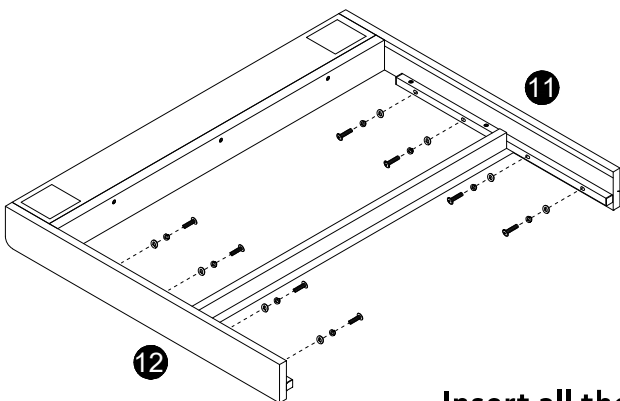
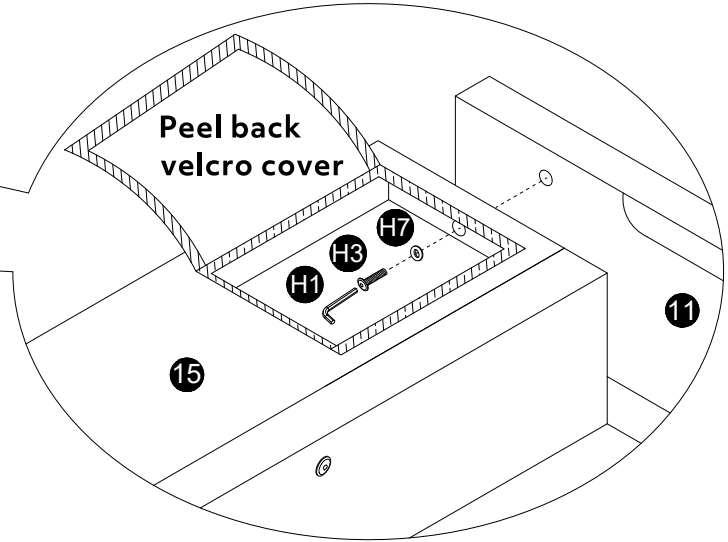
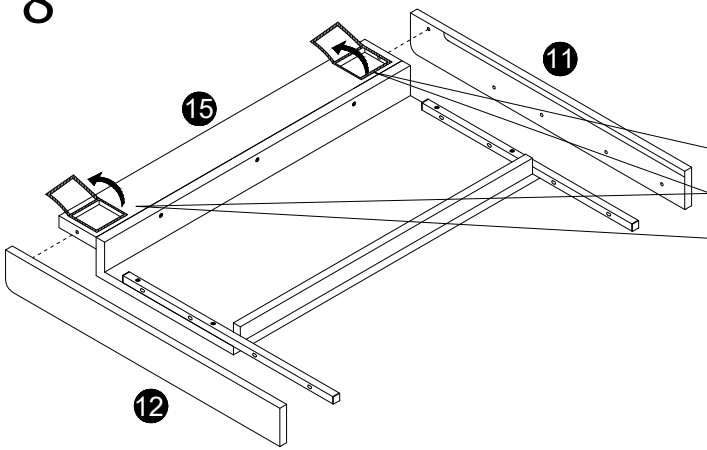
Insert all the bolts into position,
then proceed to tighten them uniformly.

7



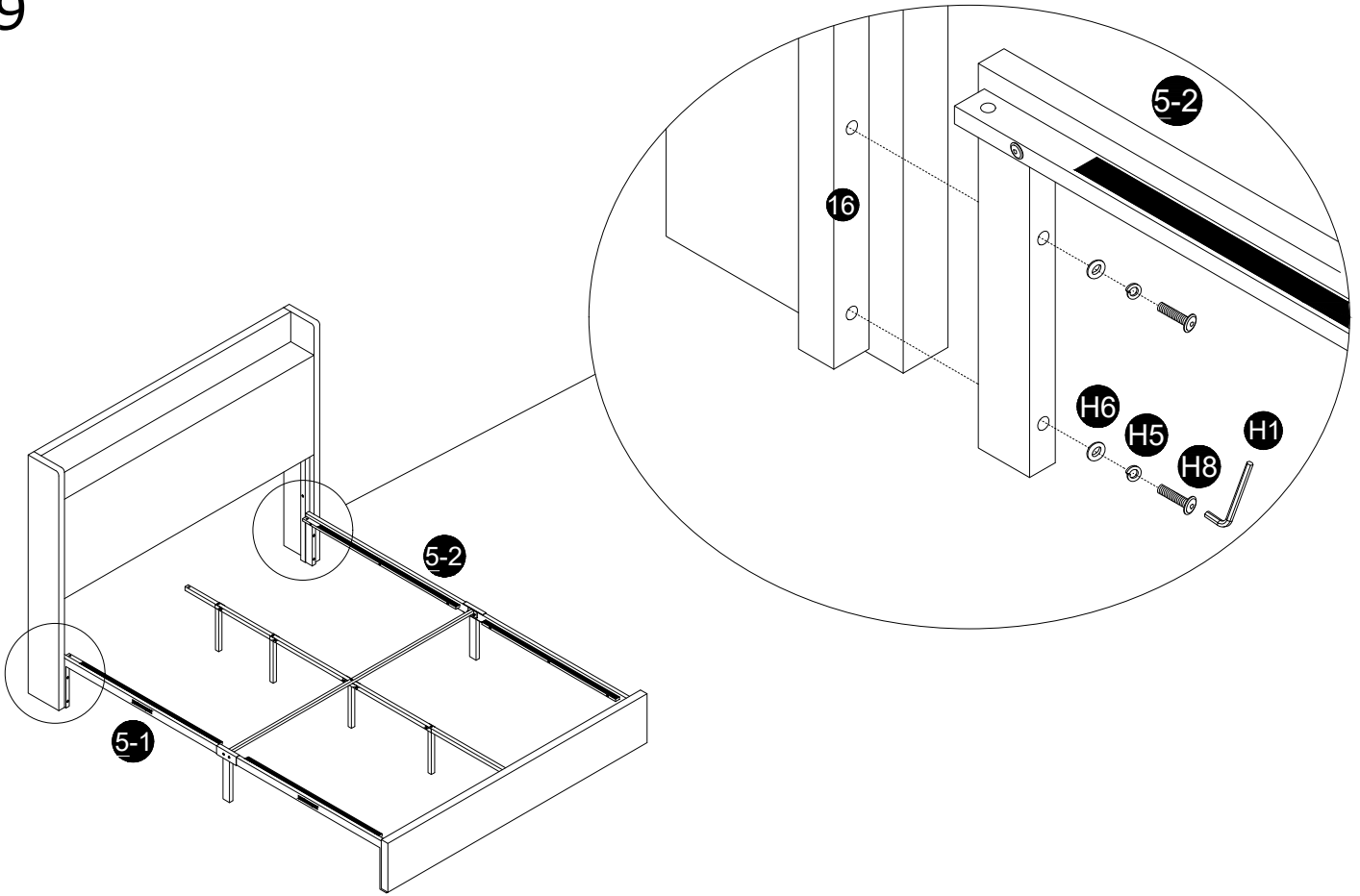
Insert all the bolts into position, then proceed to tighten them uniformly.

8

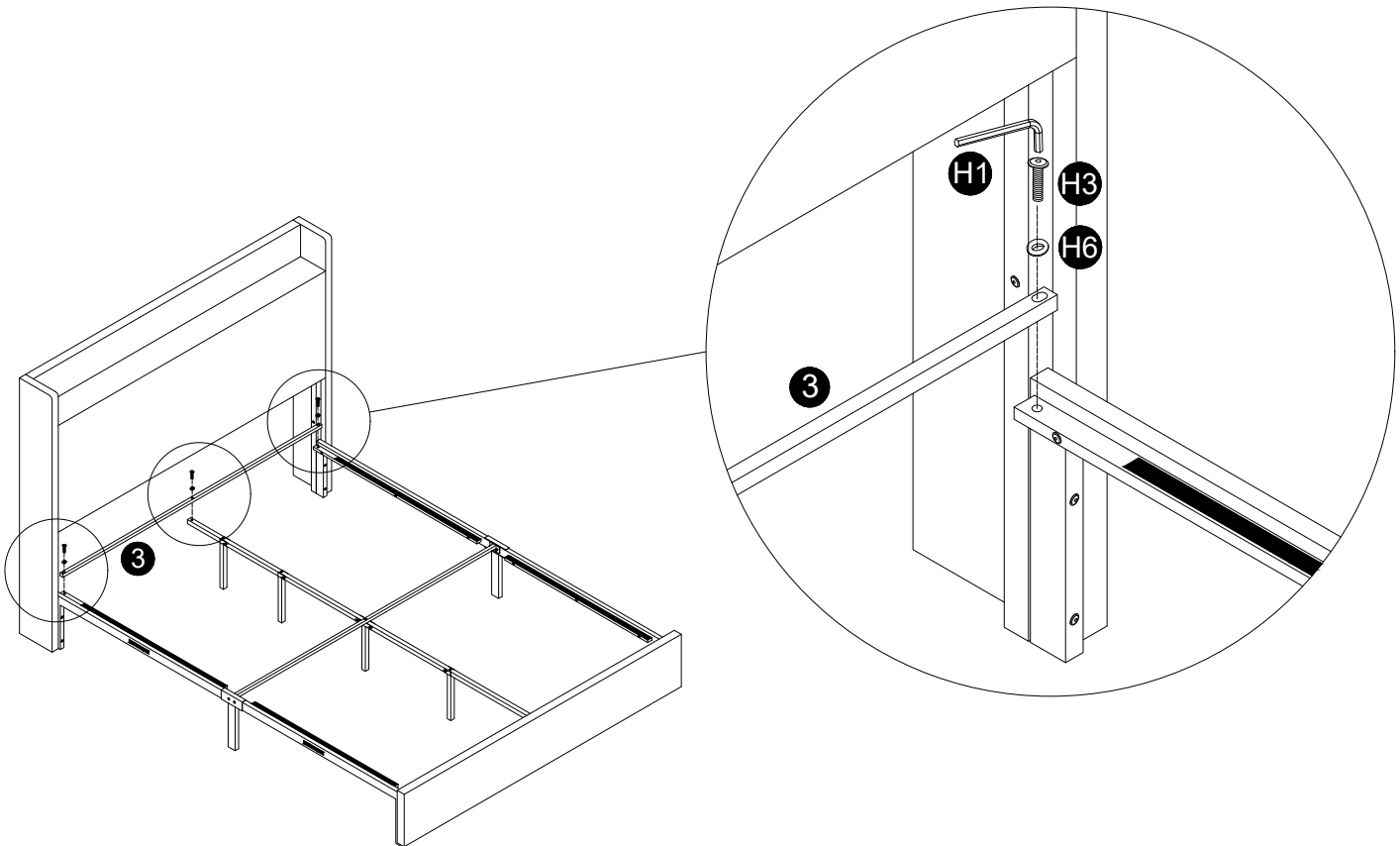


Insert all the bolts into position, then proceed to tighten them uniformly.

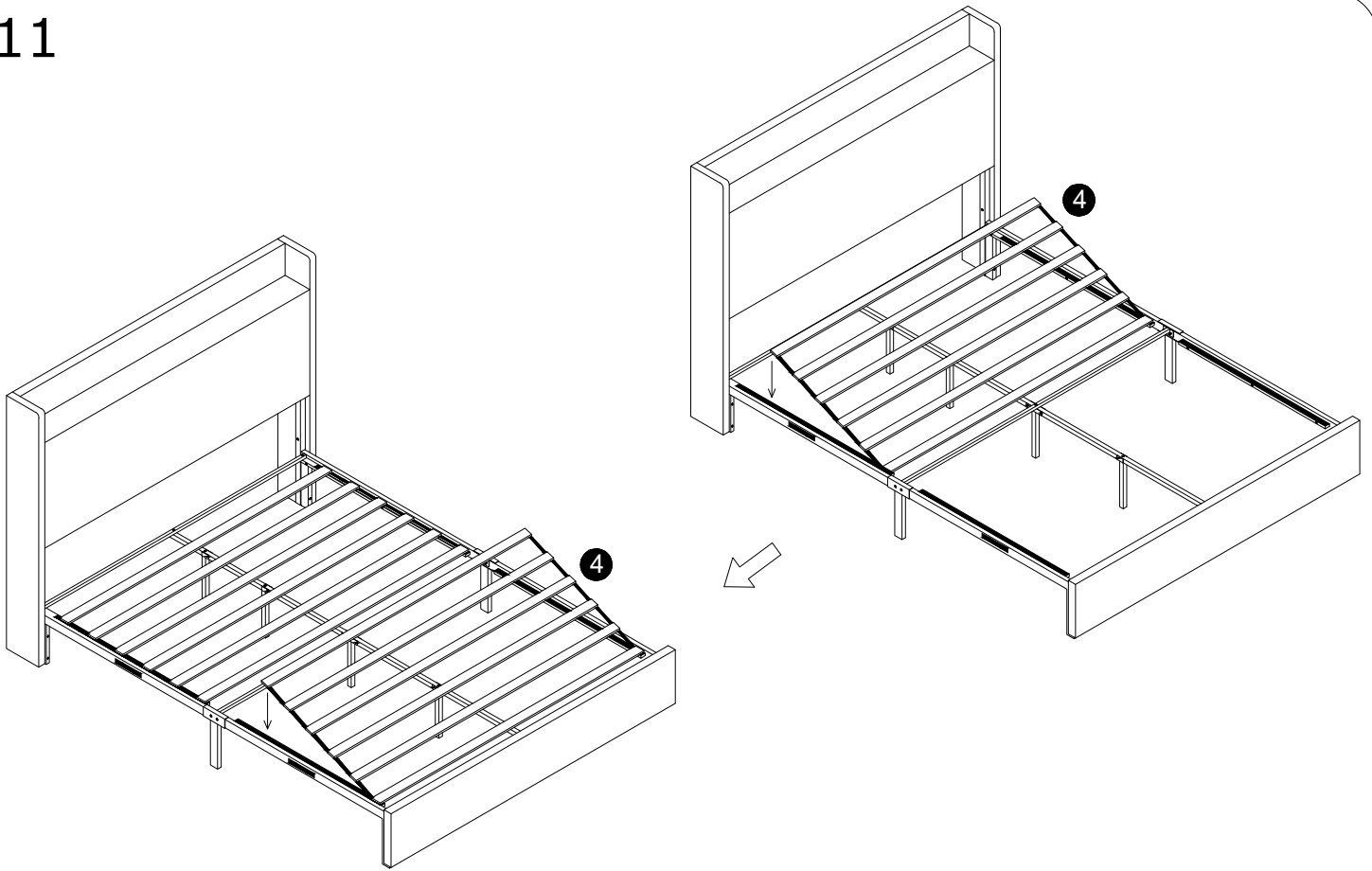
9



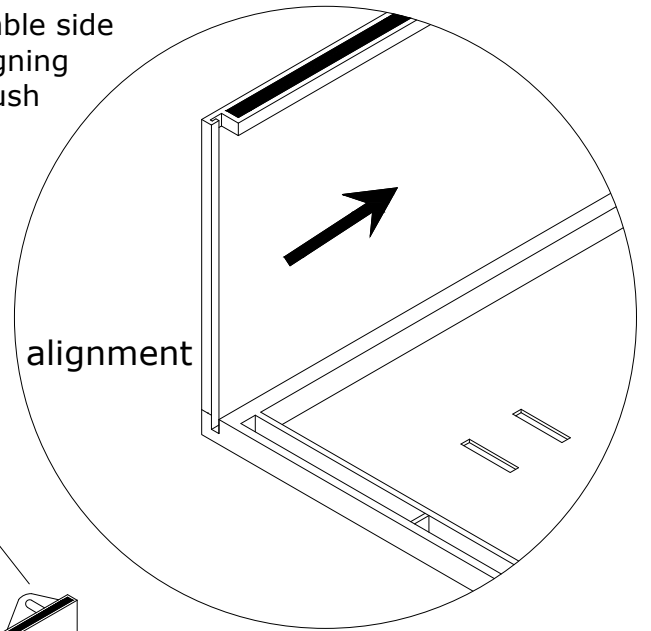
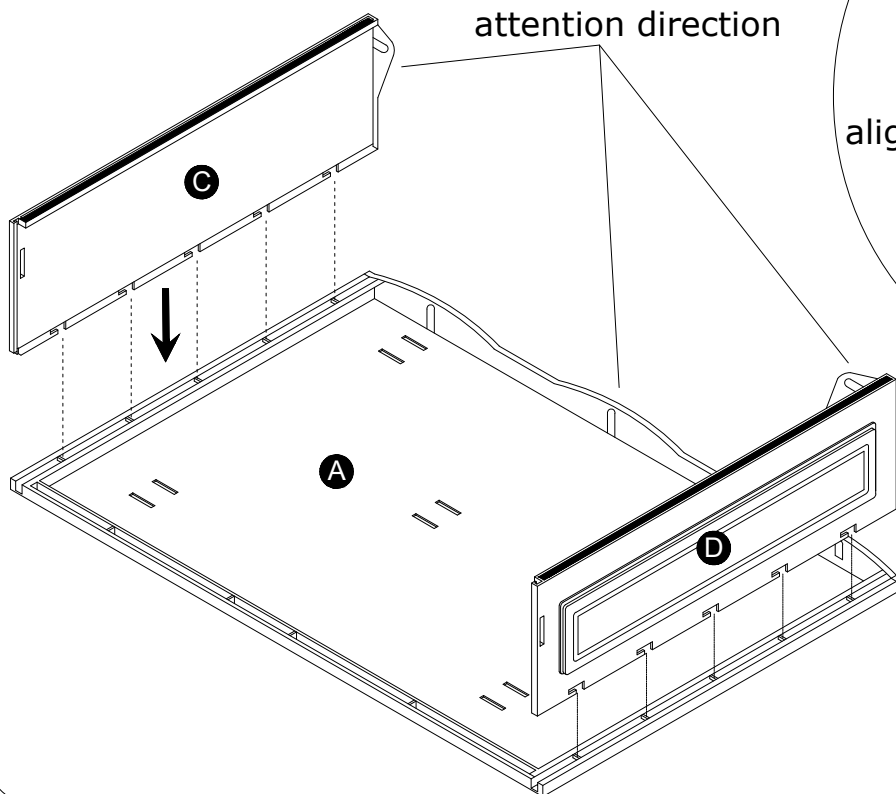
10



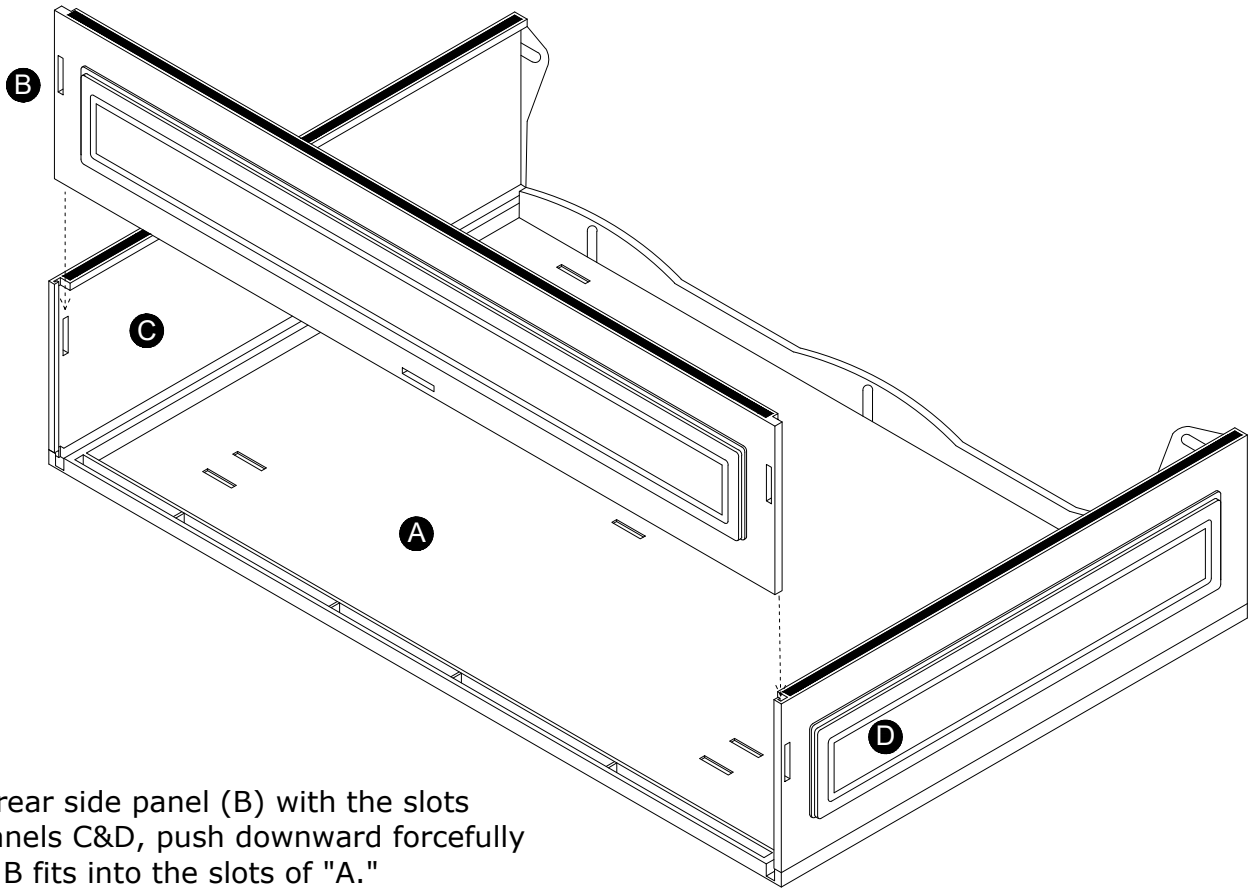
11



12 Put plastic baseboard (A) flat on the floor, assemble side baffles (C&D), following the assemble picture aligning them inward, ensuring all fit into all slots, and push forcefully until the side panels are flush with the baseboard.

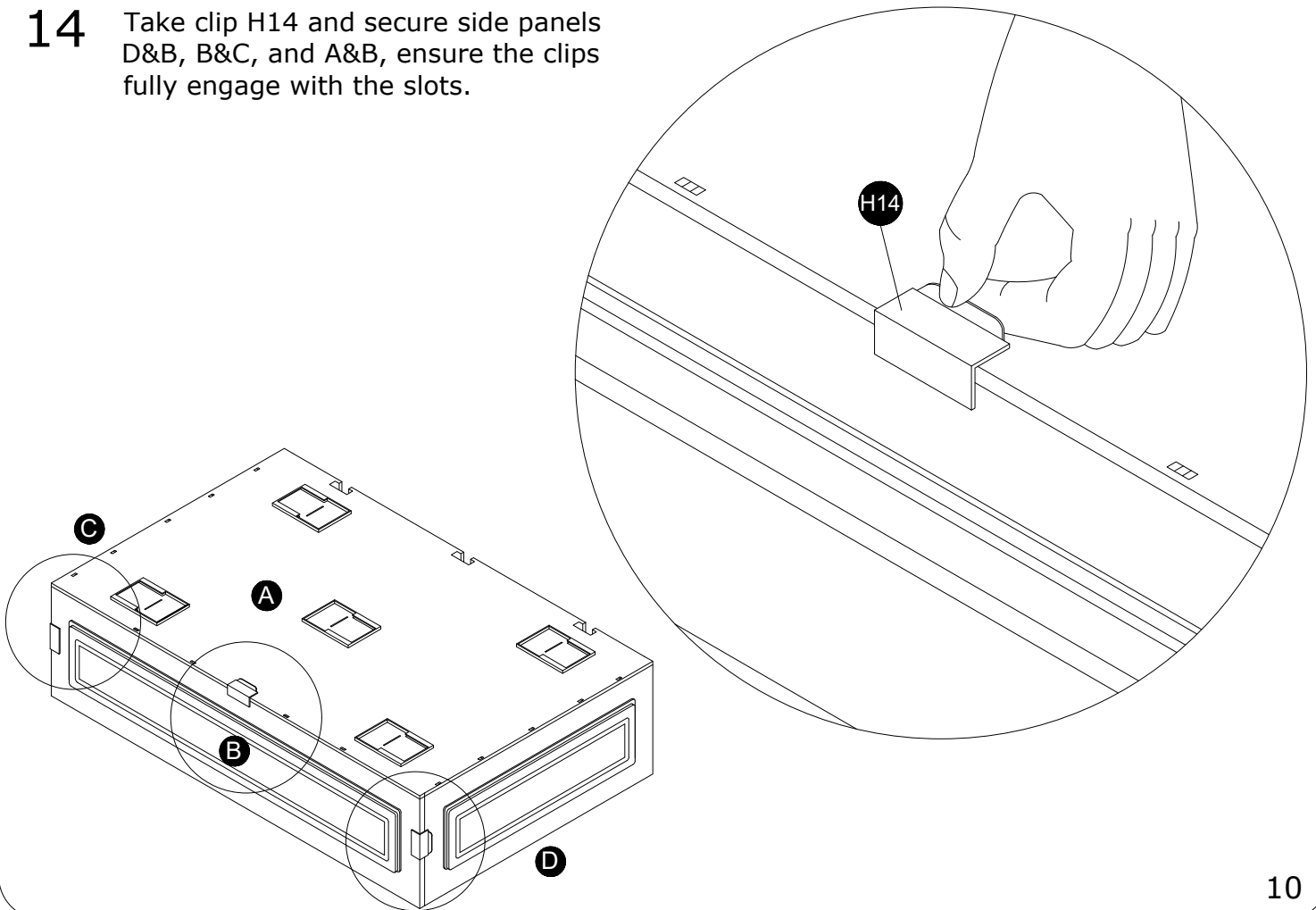


13

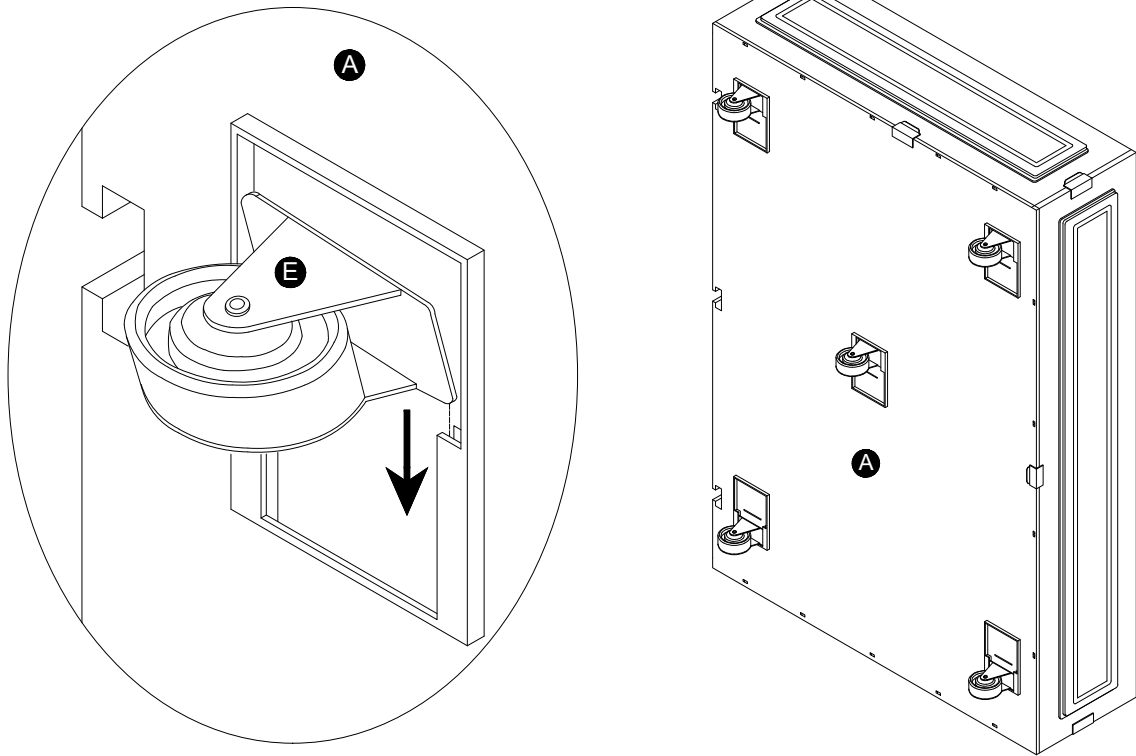


Align the rear side panel (B) with the slots on side panels C&D, push downward forcefully to ensure B fits into the slots of "A."

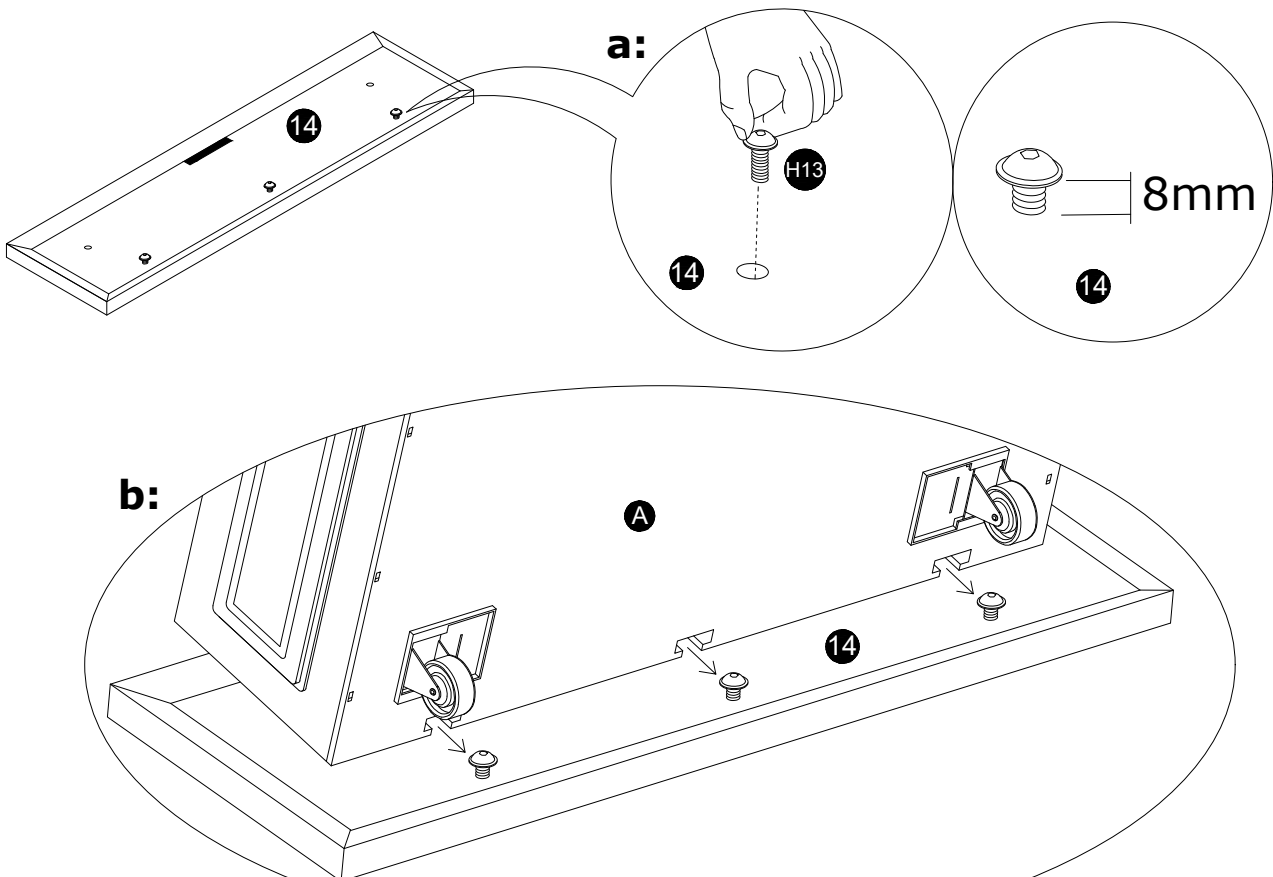
14 Take clip H14 and secure side panels D&B, B&C, and A&B, ensure the clips fully engage with the slots.



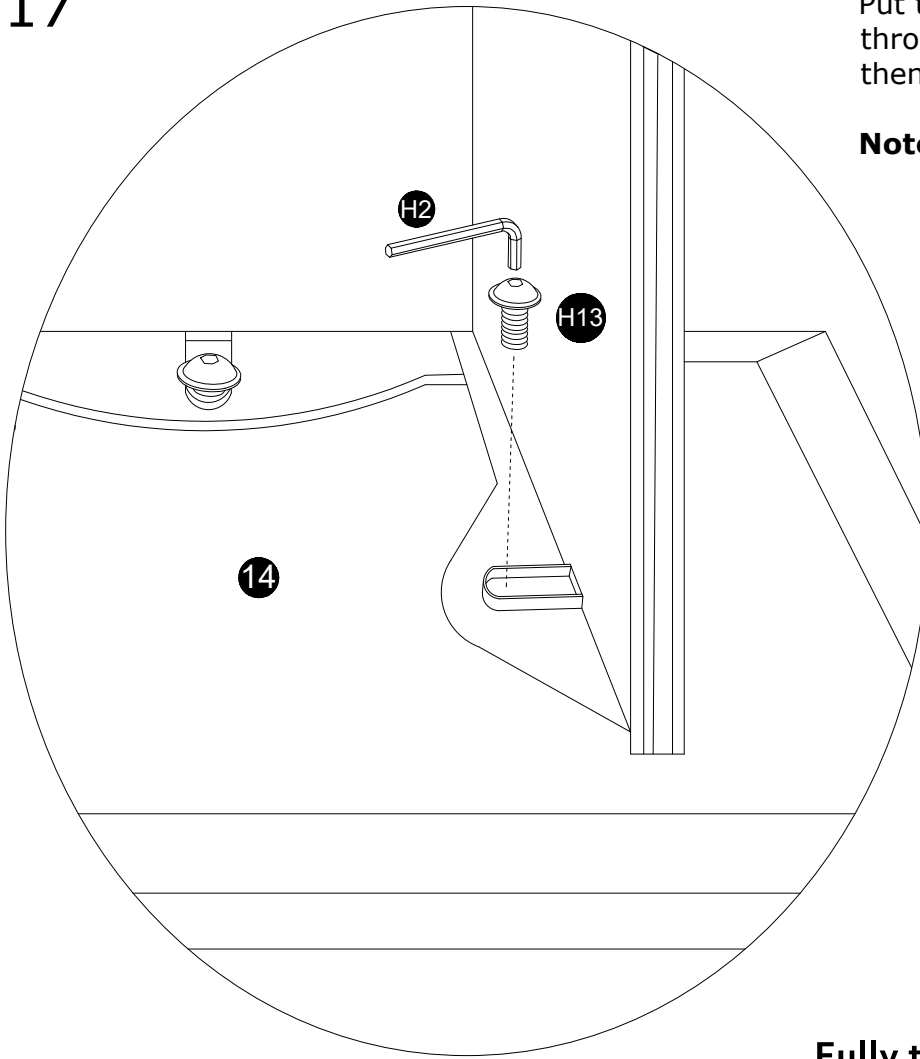
- 15** Install wheels "E" by forcefully pushing them into the slots; once pushed to the bottom, a protrusion will engage with the metal sheet to prevent them from easily coming off. All five part "E" wheels need to be installed correctly.



- 16** Take screw H13, first install it into drawer panel 14, then screw in the bottom 3 screws partially leaving them protruding 8mm (for easy installation). Insert the drawer bottom A into the three screws of the panel, ensuring no distortion of the drawer and panel to prevent plastic parts from breaking during installation.

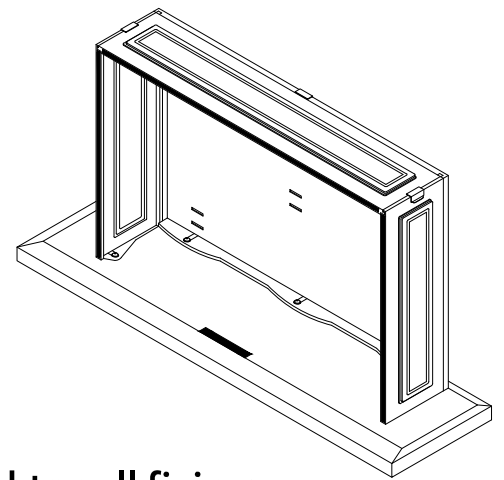


17



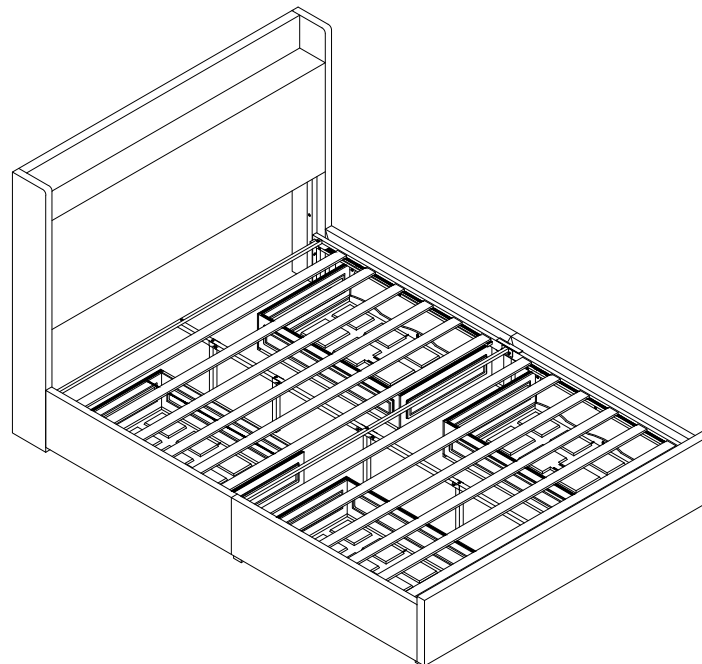
Put the drawer flat, install screw H13 through the holes in drawer sides C&D, then tighten all screws.

Note: Plastic drawers should not be installed with power tools; tightening manually is sufficient.



Fully tighten all fixings.

18



Job Complete !

In the interest of our environment please dispose of all packaging thoughtfully.