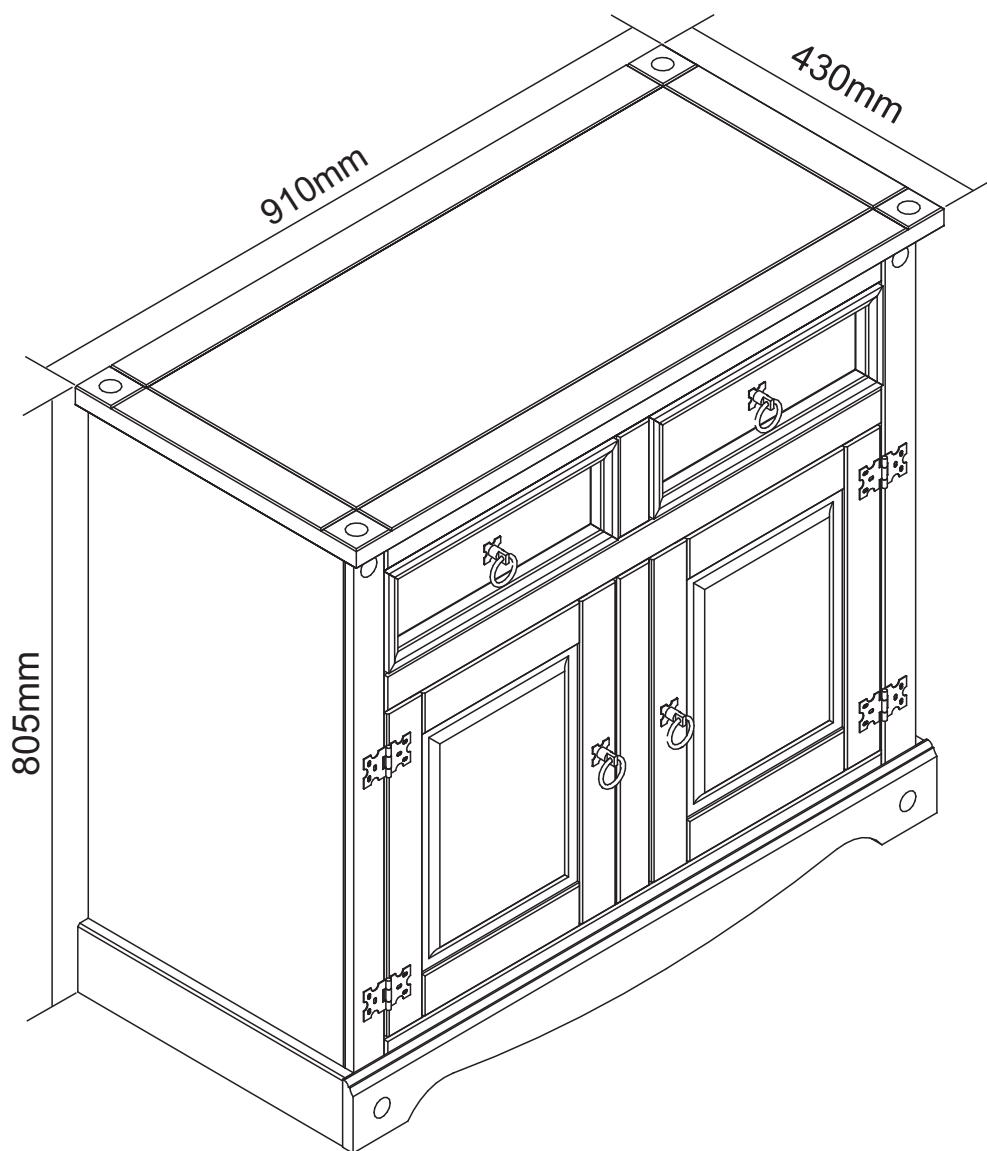



# SMALL SIDEBOARD

Assembly Instructions – Please keep for future reference



Dimensions	No. people	Assembly Time
Width: 91cm Depth: 43cm Height: 80,5cm		80 mins (approx.)

**Important** – Please read these instructions fully before starting assembly

## Safety and Care Advice

**Important** – Please read these instructions fully before starting assembly

- Check you have all the components and tools listed on pages 4 and 5.
- Remove all fittings from the plastic bags and separate them into their groups.
- Keep children and animals away from the work area, small parts could choke if swallowed.
- Make sure you have enough space to lay out the parts before starting.
- Do not stand or put weight on the product, this could cause damage.
- Assemble the item as close to its final position (in the same room) as possible.
- Assemble on a soft, level surface to avoid damaging the unit or your floor.
- We do not recommend the use of power drill/drivers for inserting screws, as this could damage the unit. Only use hand screwdrivers.
- Dispose of all packaging carefully and responsibly.

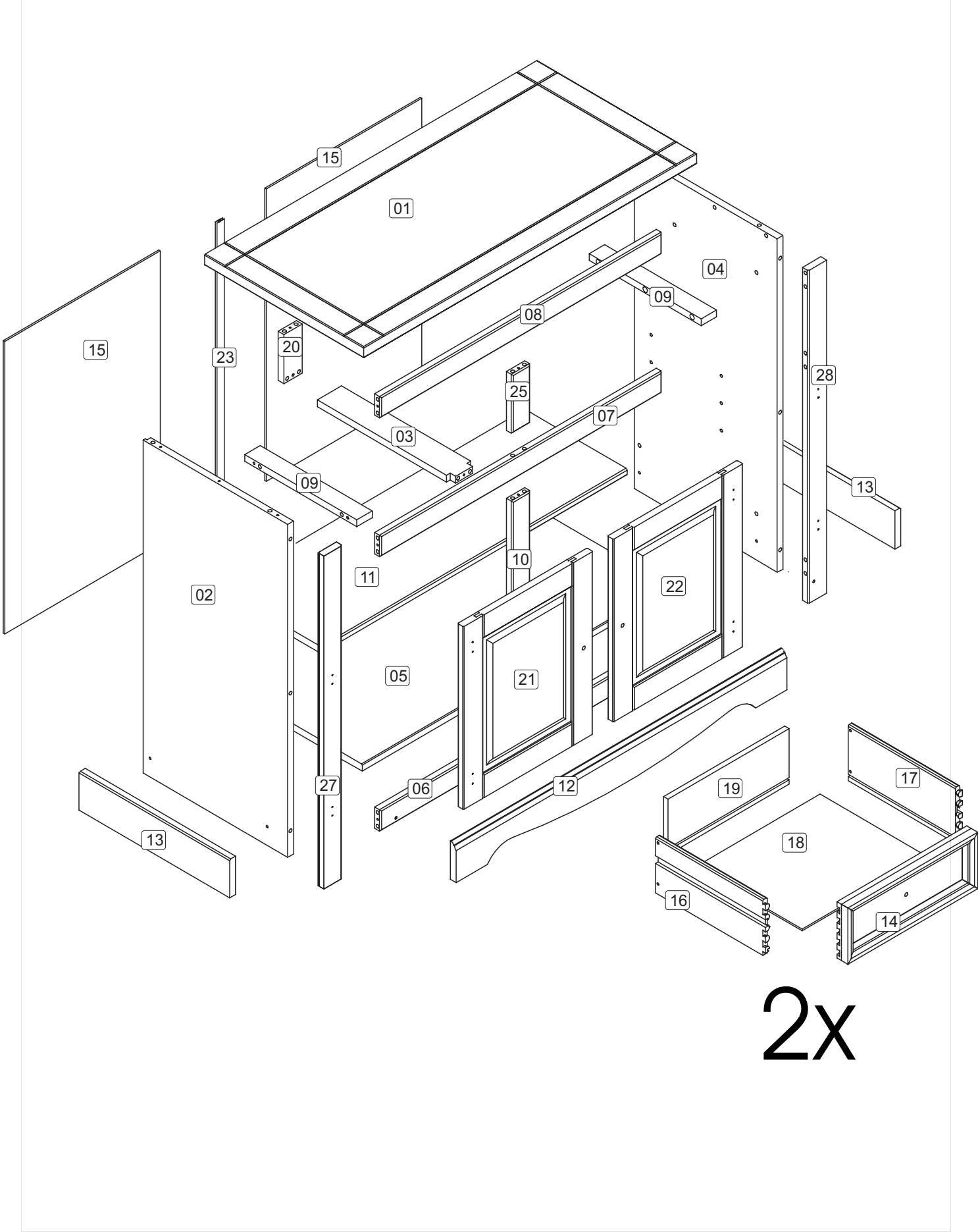


## Care and Maintenance

- Only clean using a damp cloth and mild detergent, do not use bleach or abrasive cleaners.
- From time to time check that there are no loose screws on this unit.
- This product should not be discarded with household waste. Take to your local authority waste disposal centre.

**If you are unhappy with the product and wish to return it, please follow the retailer's returns procedure.**

# Exploded View



2x

# Components - Panels

Please check that you have all the components listed below before constructing your item.

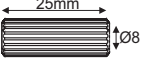
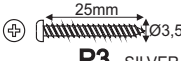
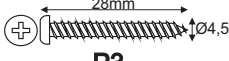



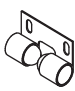

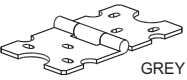
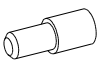

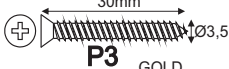



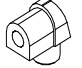
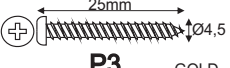

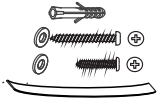

Part No	Description	Qty	Size (mm)	Thickness (mm)
1	TOP	1	910 X 430	25
2	LEFT SIDE PANEL	1	780 X395	16
3	CENTRE DRAWER SLIDE	1	368 X 66	16
4	RIGHT SIDE PANEL	1	780 X395	16
5	BASE	1	838 X 390	16
6	FRONT LOWER CROSS RAIL	1	770 X 50	16
7	FRONT CROSS RAIL	1	770 X 50	16
8	FRONT UPPER CROSS RAIL	1	770 X 50	16
9	DRAWER SLIDE	2	306 X 42	16
10	CENTRE VERTICAL CROSS RAIL	1	434 X 50	16
11	SHELF	1	835 X 270	16
12	FRONT BASEBOARD	1	906 X 90	16
13	SIDE BASEBOARD	2	411 X 89	16
14	DRAWER FRONT	2	355 X 132	31
15	BACK PANEL	2	697 X 425	4
16	LEFT DRAWER SIDE	2	300 X 130	12
17	RIGHT DRAWER SIDE	2	300 X 130	12
18	DRAWER BOTTOM	2	341 X 292	4
19	DRAWER BACK	2	331 X 130	12
20	CENTRE DRAWER SLIDE SUPPORT	1	114 X 50	16
21	LEFT DOOR	1	428 X 355	16
22	RIGHT DOOR	1	428 X 355	16
23	H PROFILE	1	662 X 25	8
25	CENTRE VERTICAL CROSS RAIL	1	138 X 50	16
27	LEFT TRIM	1	780 X 50	16
28	RIGHT TRIM	1	780 X 50	16

**Important** – Please read these instructions fully before starting assembly

# Components - Fixings

**Please check that you have all the components listed below before constructing your item.**

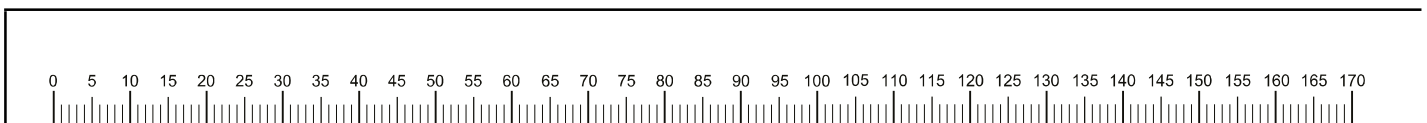
**Note:** The quantities below are the correct amount to complete the assembly. In some cases more fittings may be supplied than are required.

(A)	 x44	(B)	 P3 SILVER x10	(C)	 P3 GOLD x15	(D)	 P3 GREY x24
(E)	 GREY x08	(F)	 GREY x04	(G)	 x02	(H)	 x02
(J)	 GREY x04	(K)	 x04	(L)	 P3 BLACK x08	(M)	 P3 GOLD x08
(N)	 Glue 10g x01	<b>Warning!</b> : Keep out of reach from children, Keep away from eyes, if product gets into eye rinse thoroughly and repeatedly with water. Do not ingest, if swallowed seek medical advise from doctor.		(O)	 3/16 x 5/8 x02	(P)	 3/16 x 3/8 x02
(Q)	 x12	(R)	 P3 GOLD x19	 RED = PAINT <b>Warning!</b> The RED sachet contains touch up paint for your furniture. Please retain for use should you require it at any point in the future. Application is best with a small paint brush which can be cleaned in water after use. Keep out of reach from children, keep away from eyes, if product gets into eye rinse thoroughly and repeatedly with water. Do not ingest, if swallowed seek medical advise from doctor.			
(Y)	 x01	(Z)	 8x8 x22				

## Tools Required



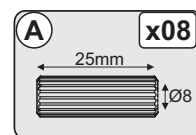
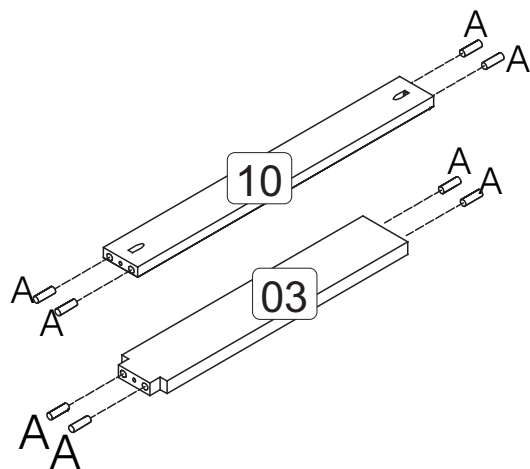
**Ruler** – Use this to measure your screws (mm)



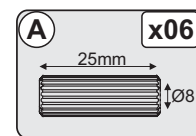
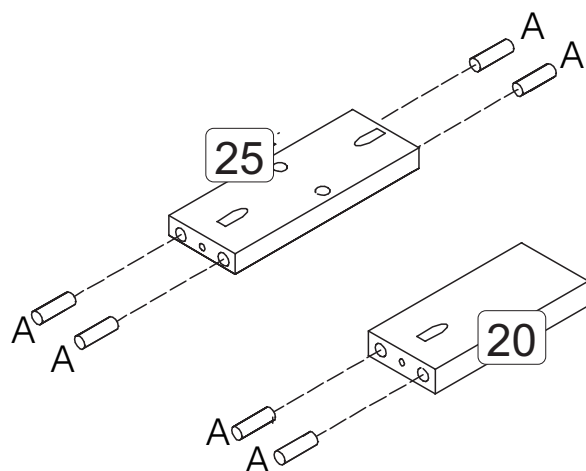
**Important** – Please read these instructions fully before starting assembly

# Assembly Instructions

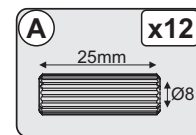
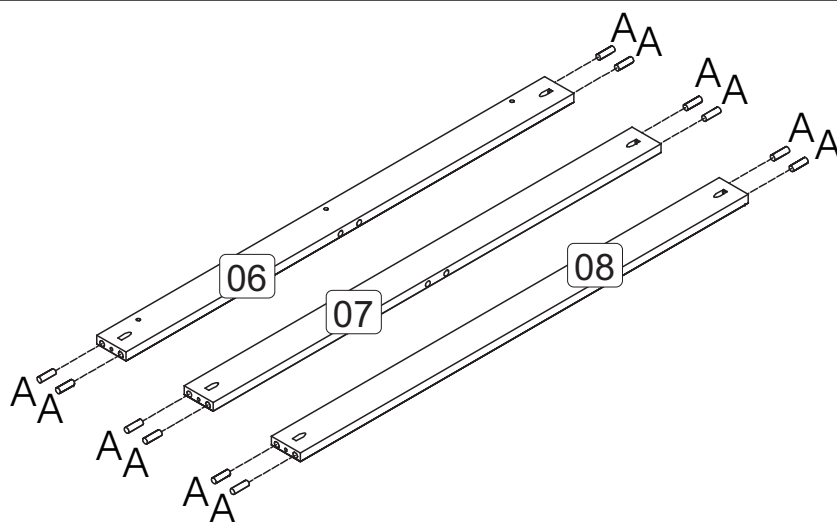
## Step 1



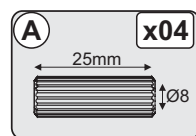
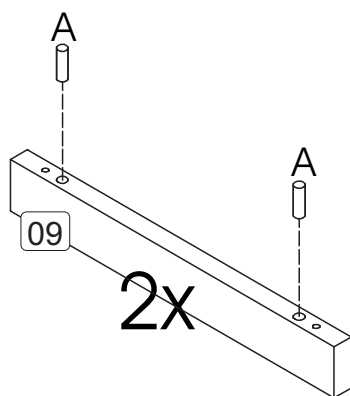
## Step 2



## Step 3

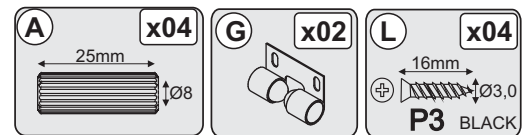
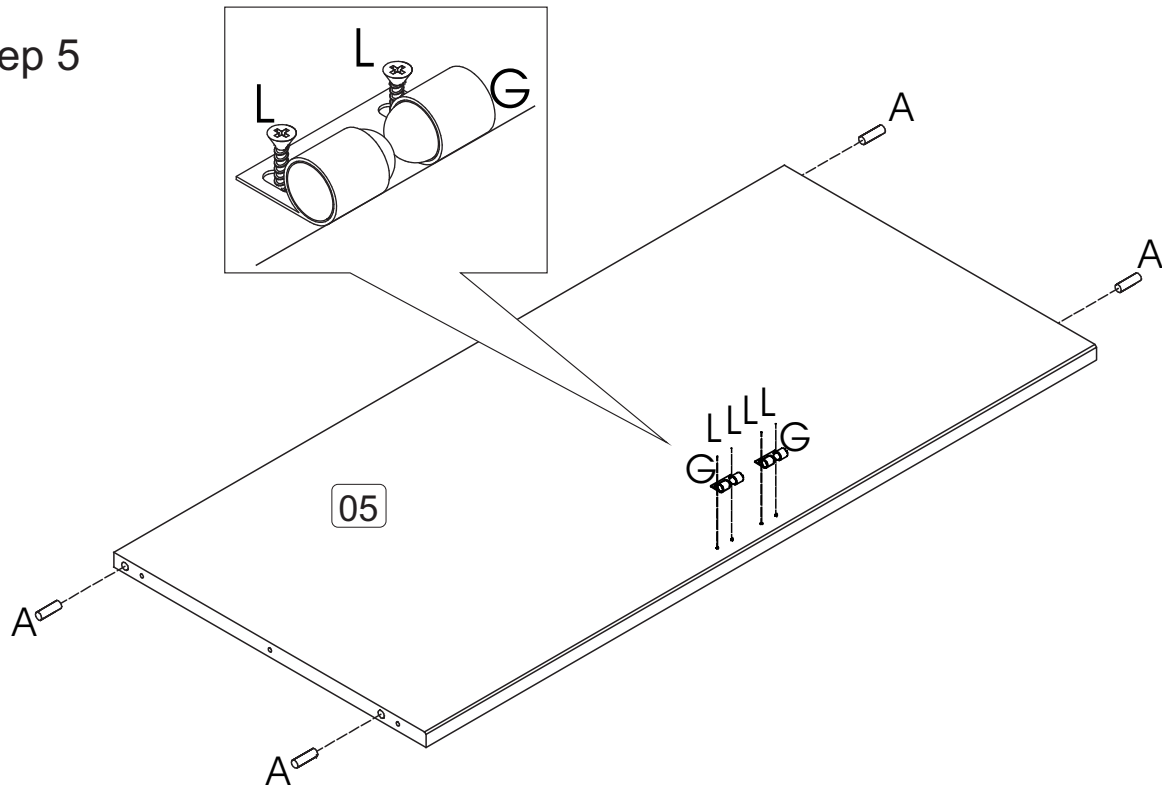


## Step 4

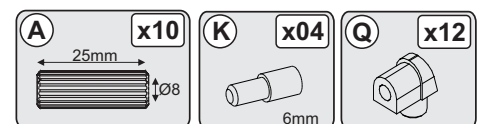
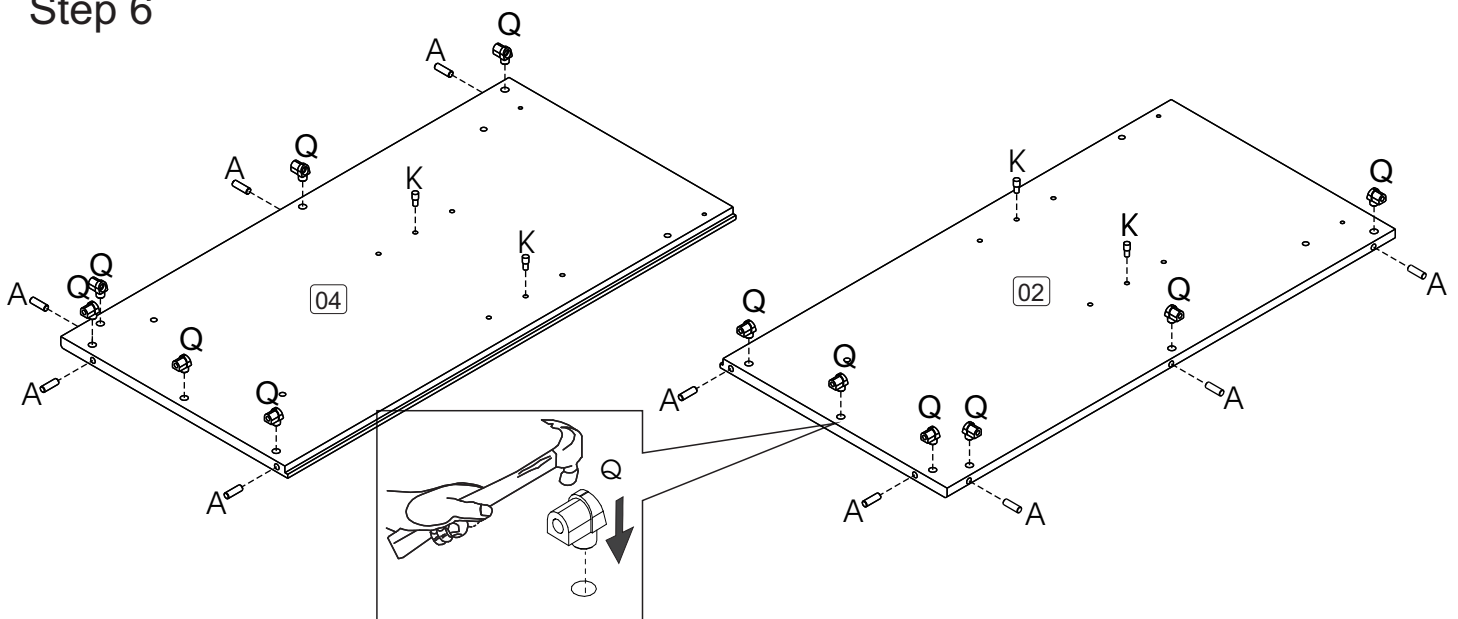


# Assembly Instructions

## Step 5

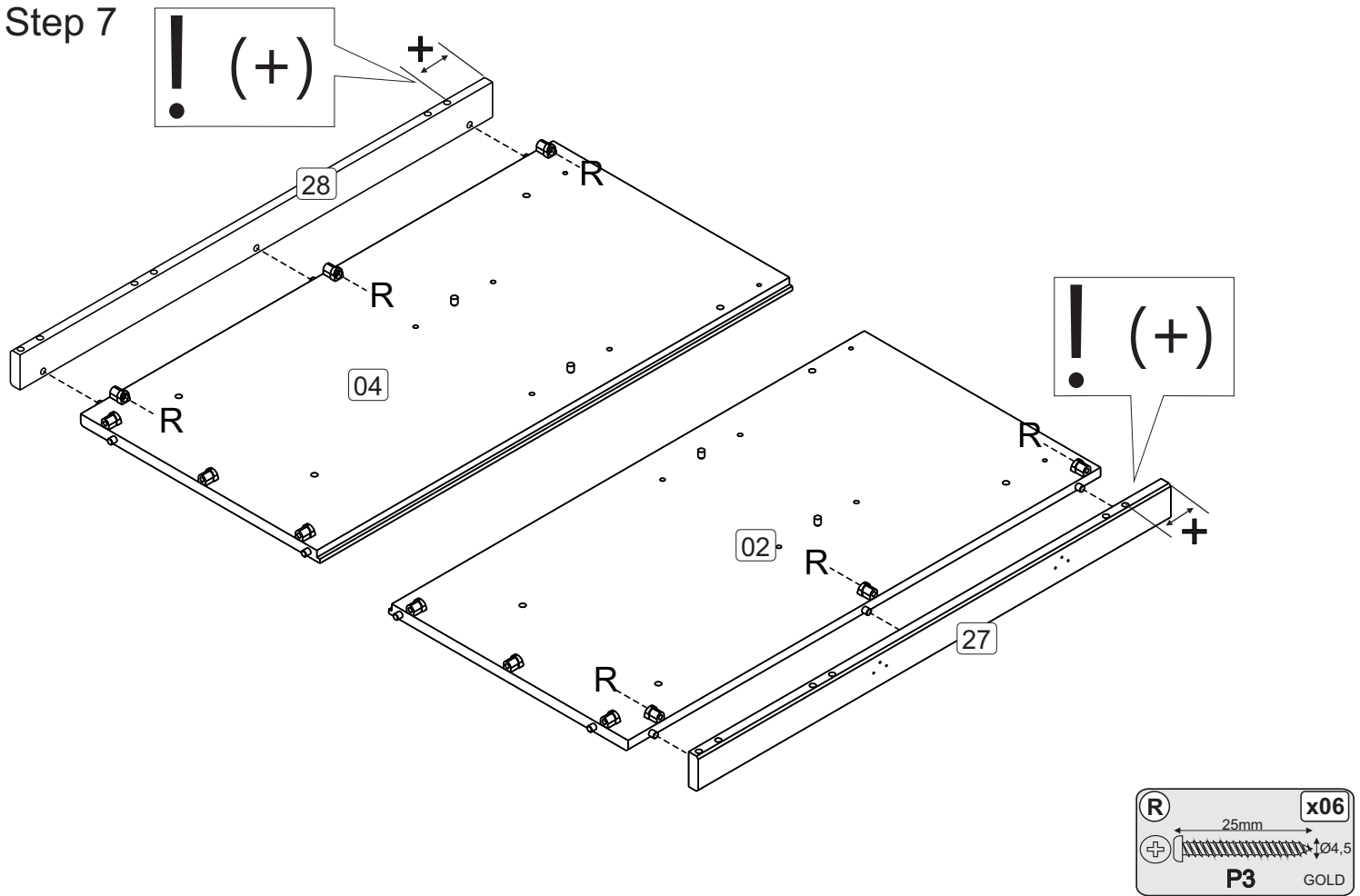


## Step 6

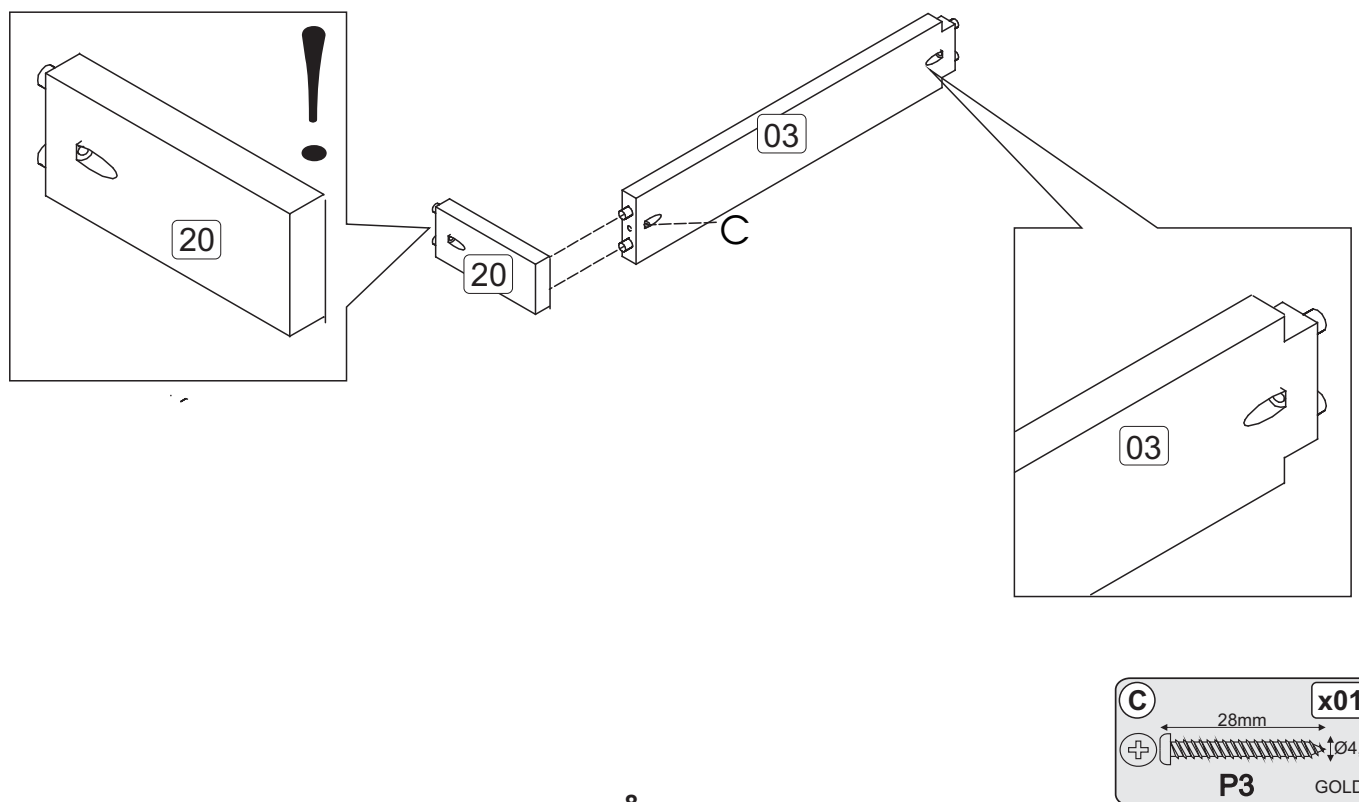


# Assembly Instructions

Step 7

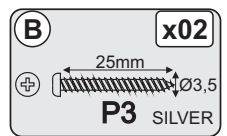
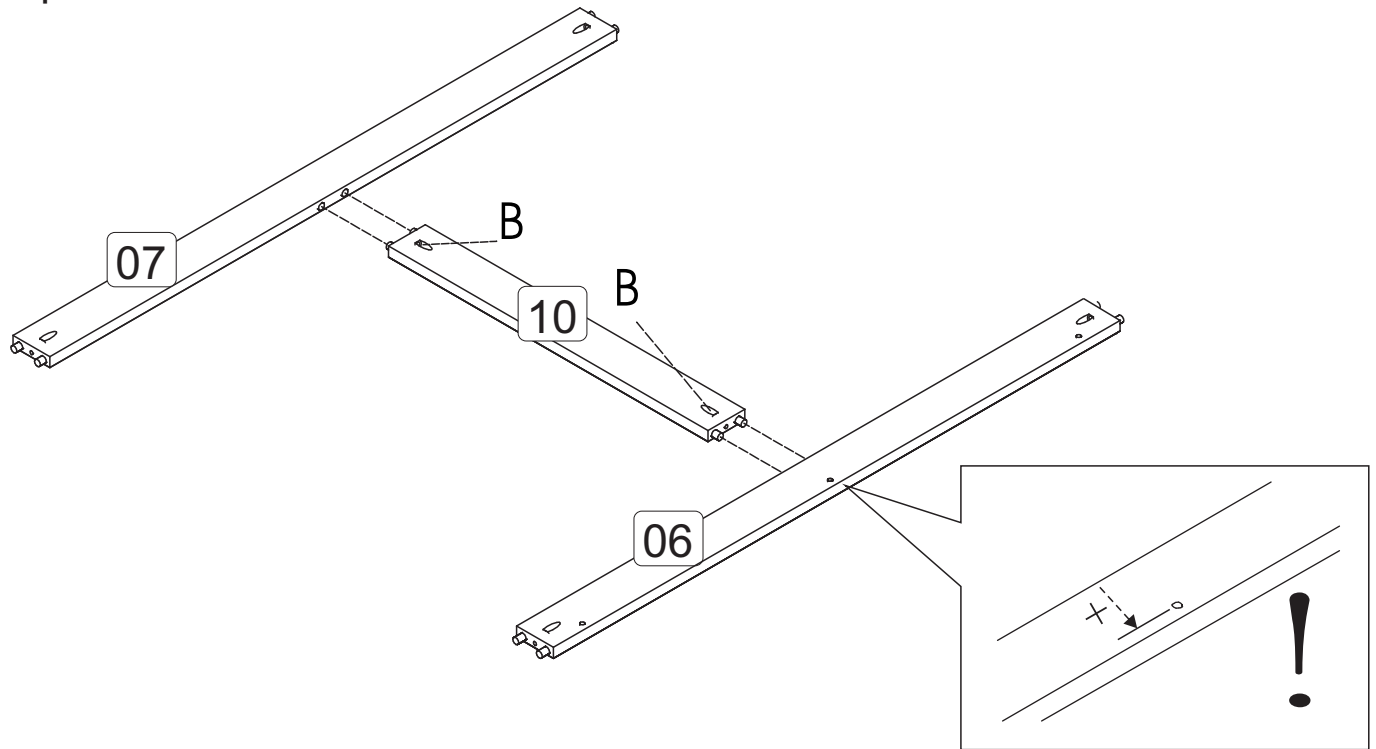


Step 8

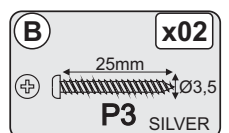
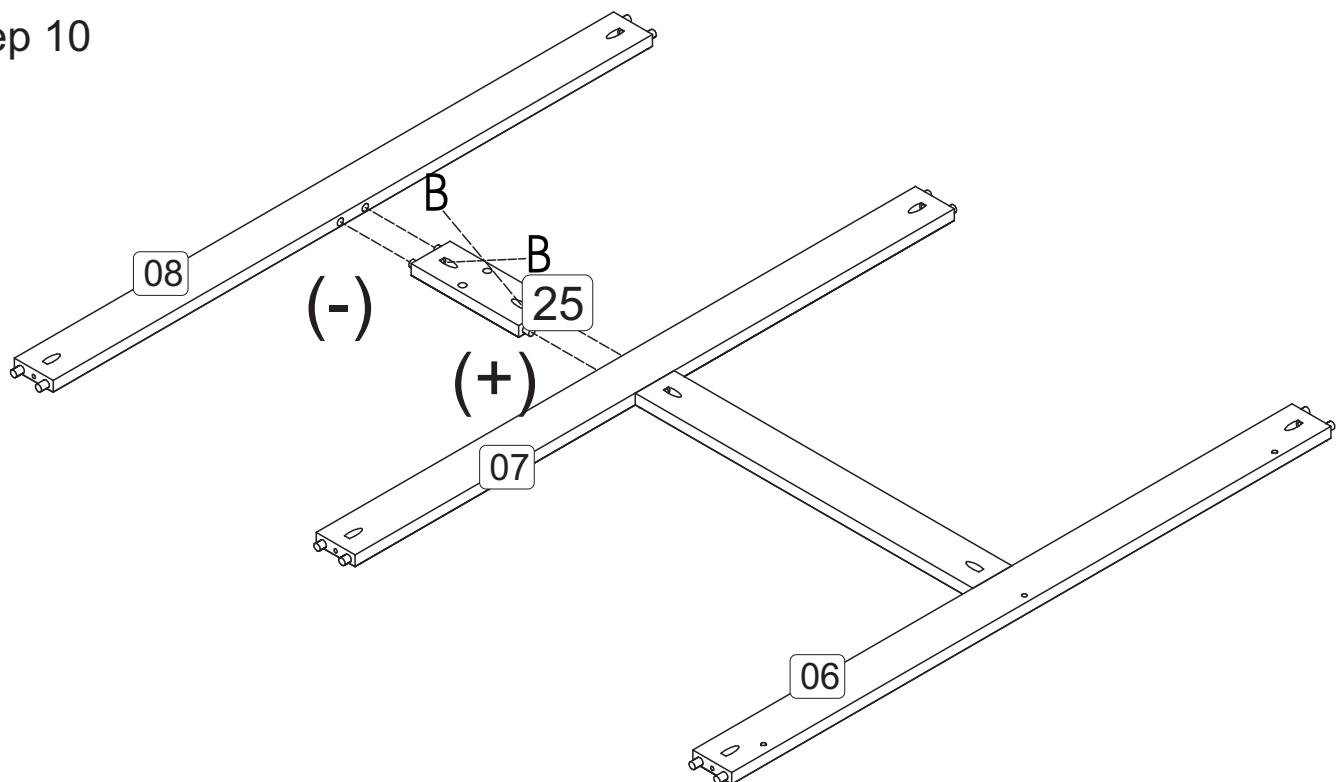


# Assembly Instructions

## Step 9

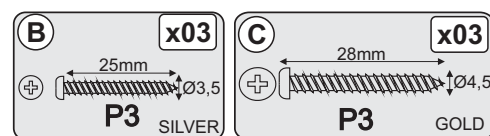
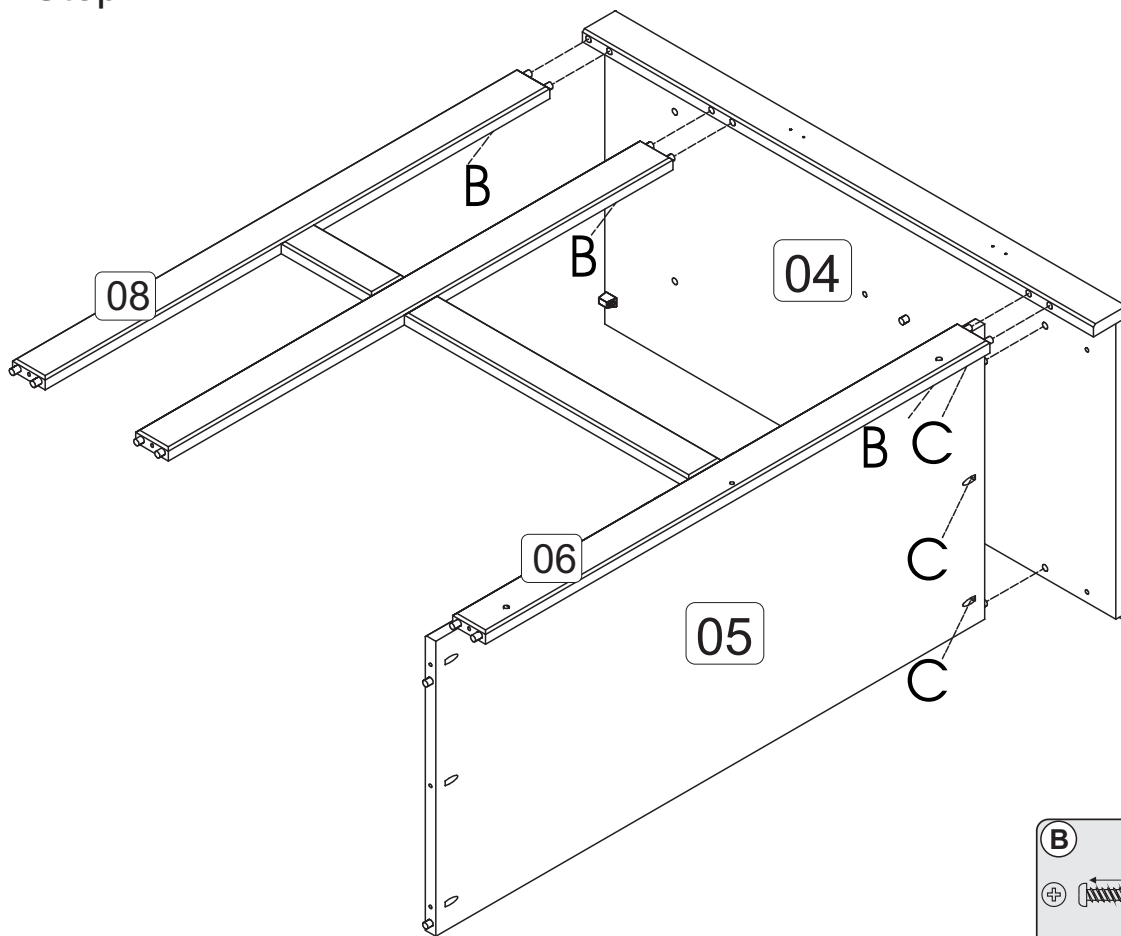


## Step 10

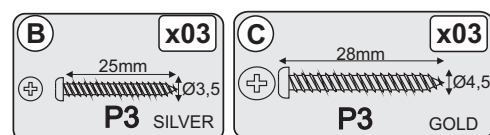
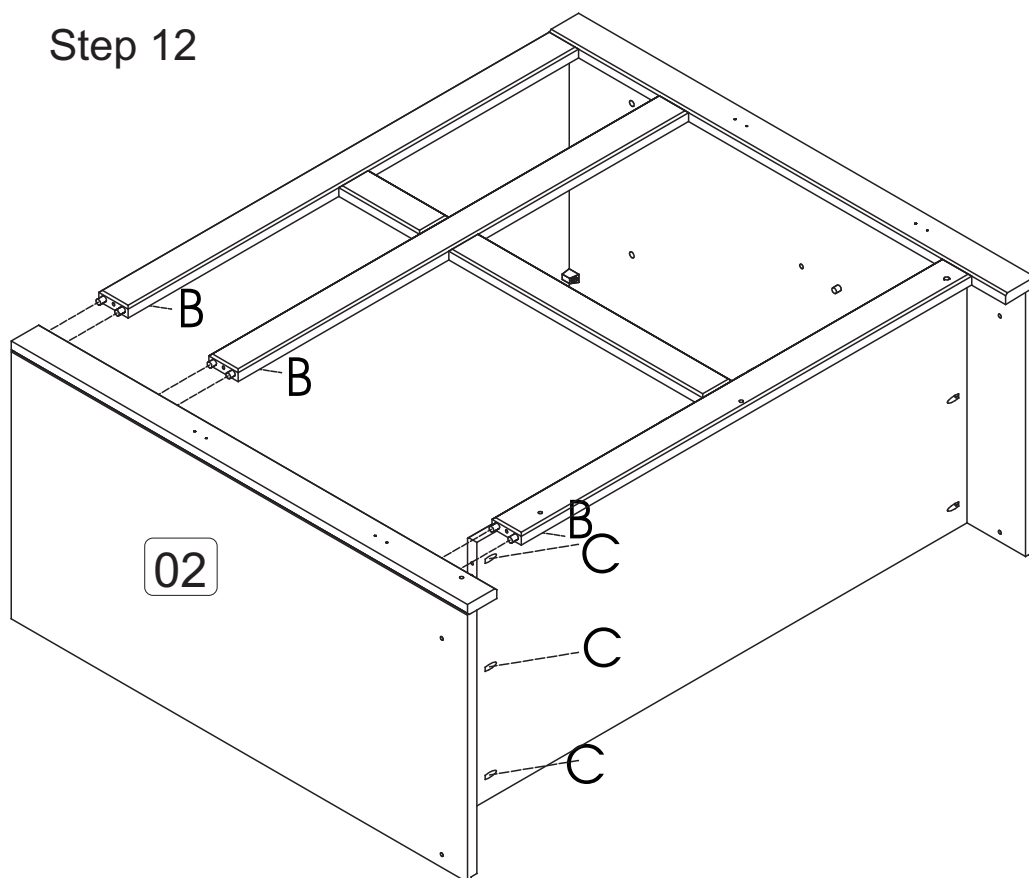


# Assembly Instructions

## Step 11



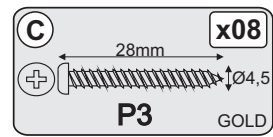
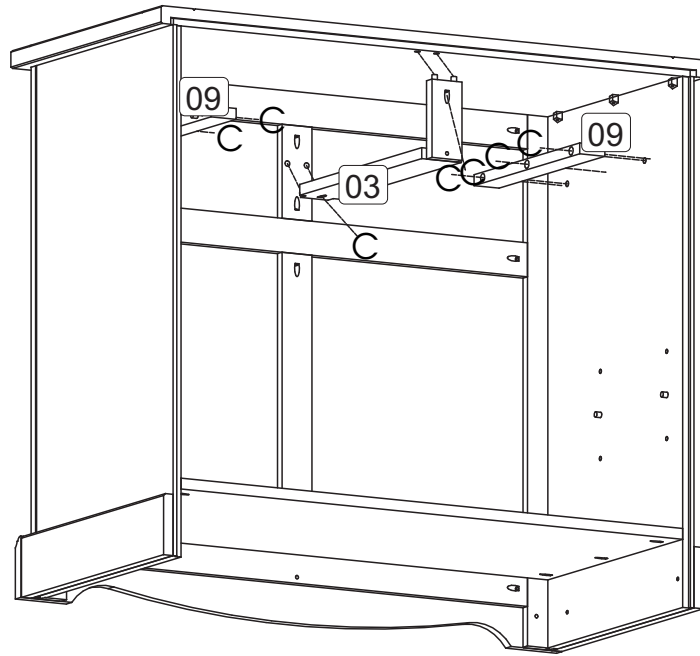
## Step 12



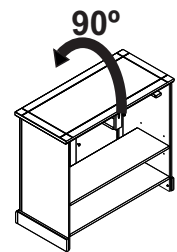
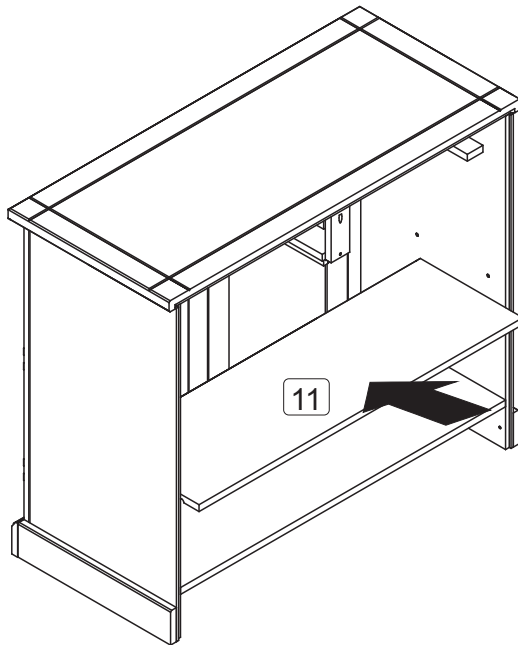


# Assembly Instructions

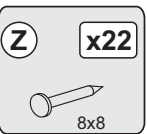
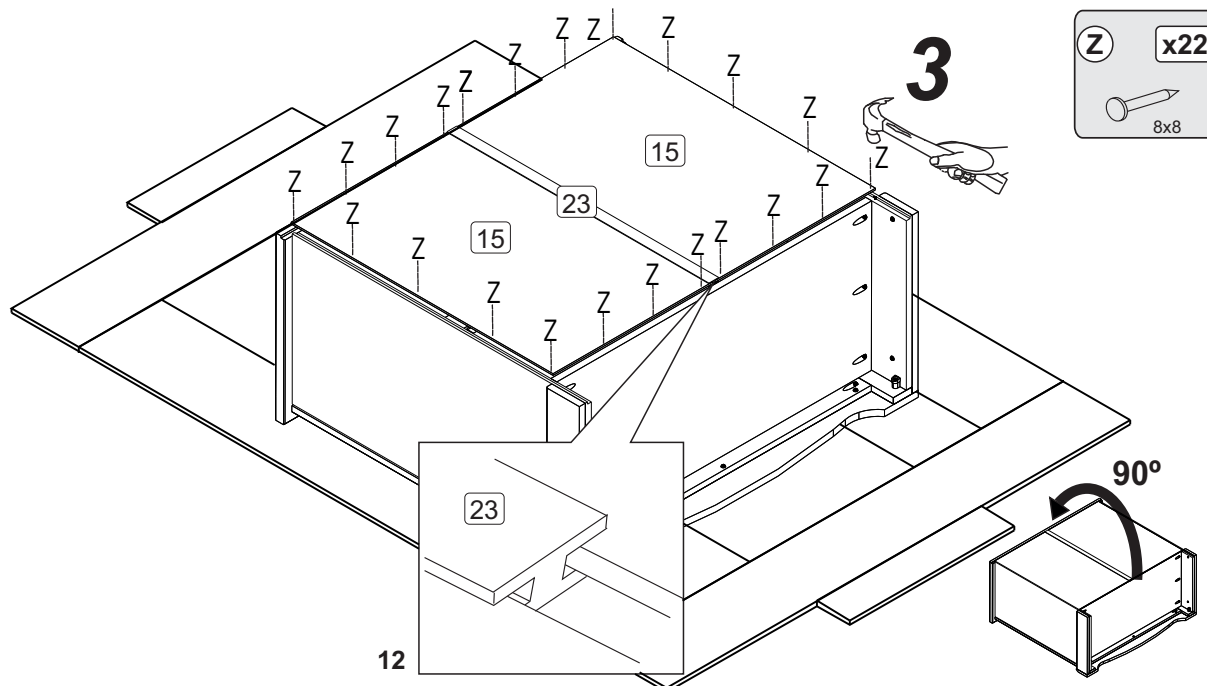
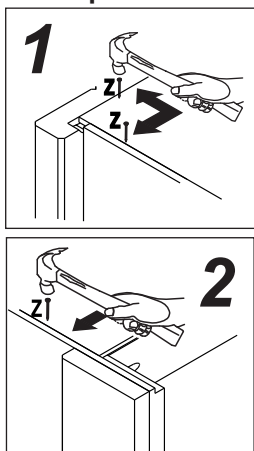
## Step 16



## Step 17

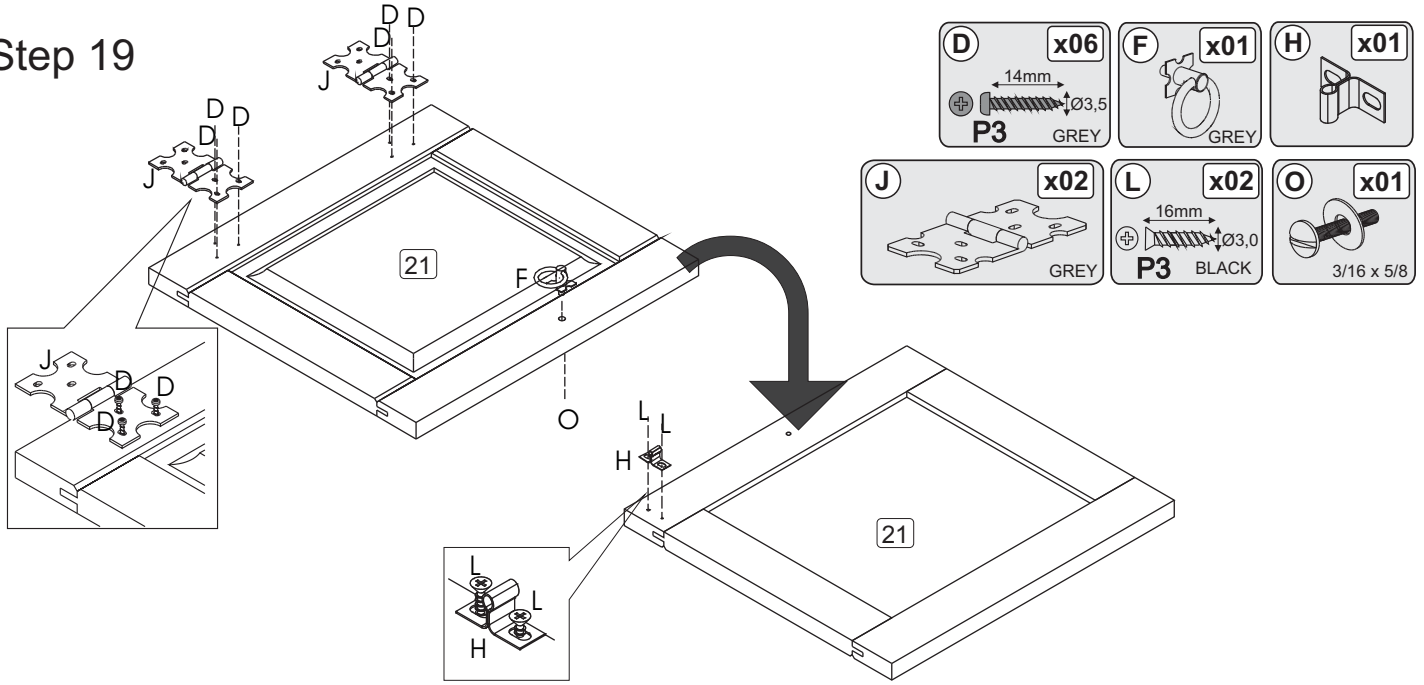


## Step 18

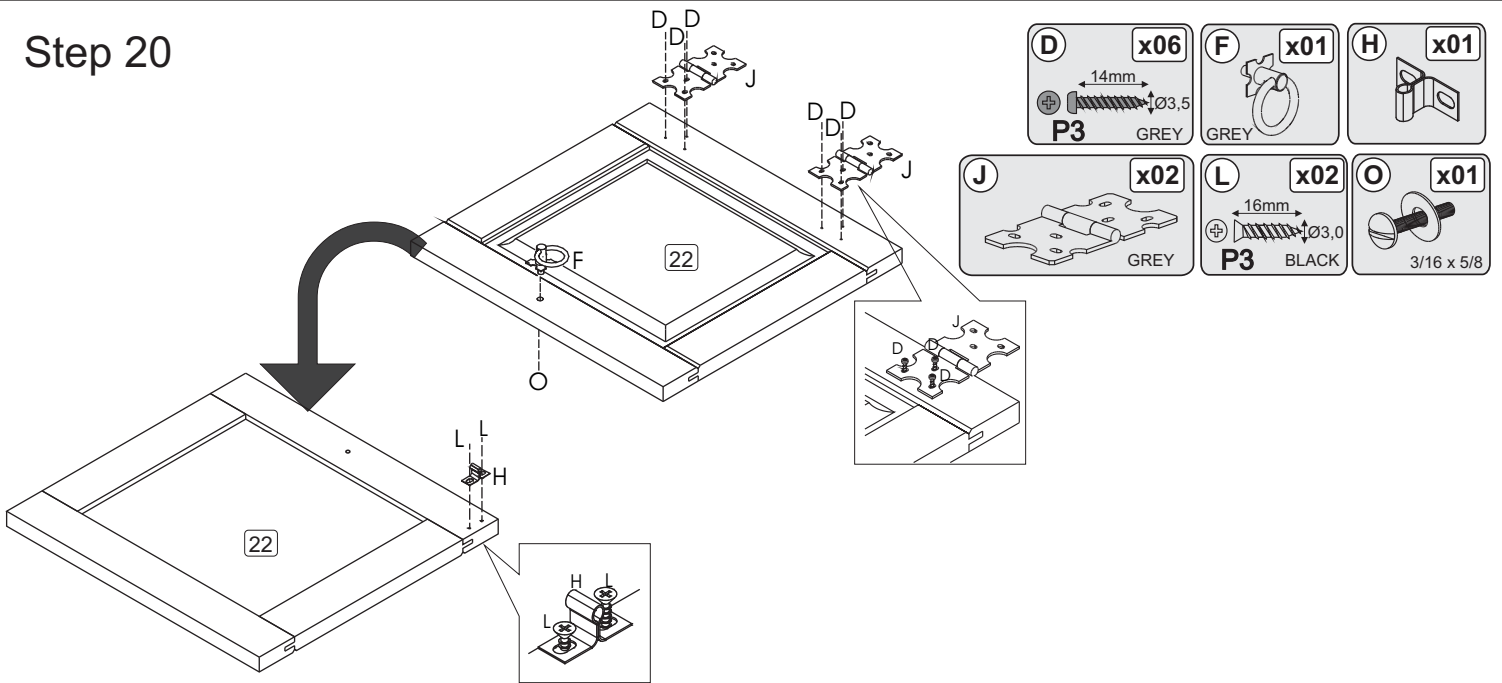


# Assembly Instructions

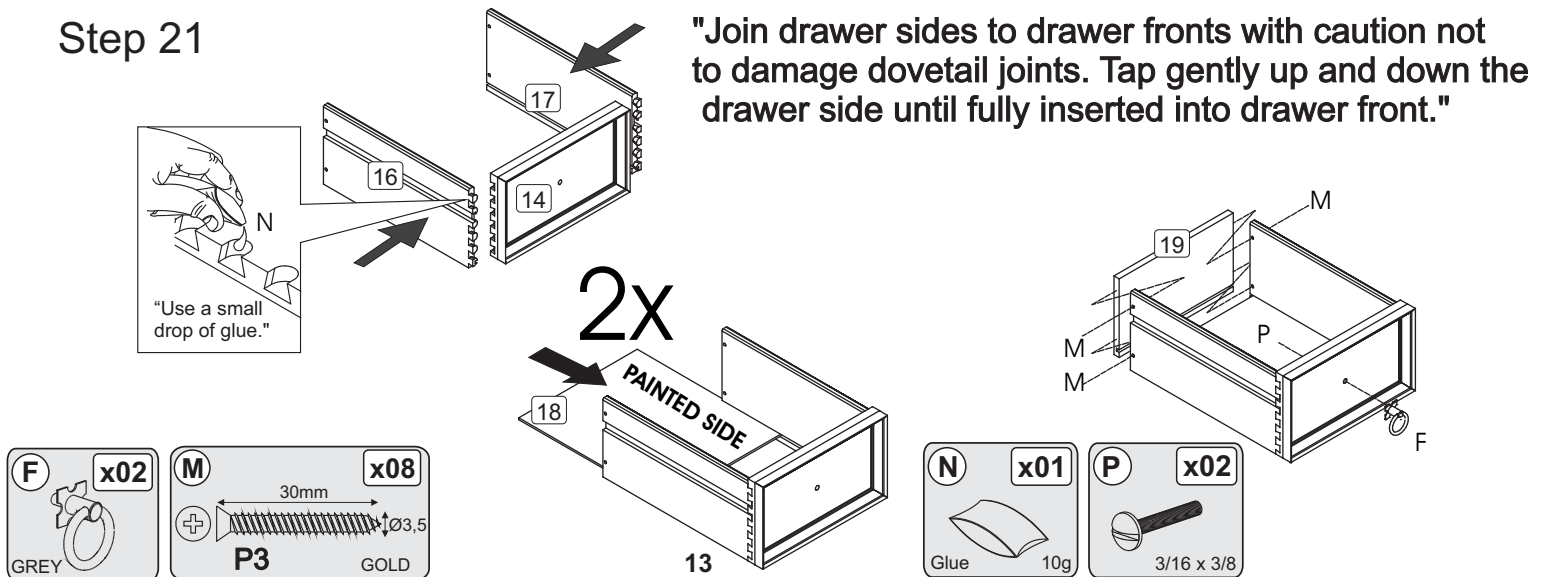
## Step 19



## Step 20



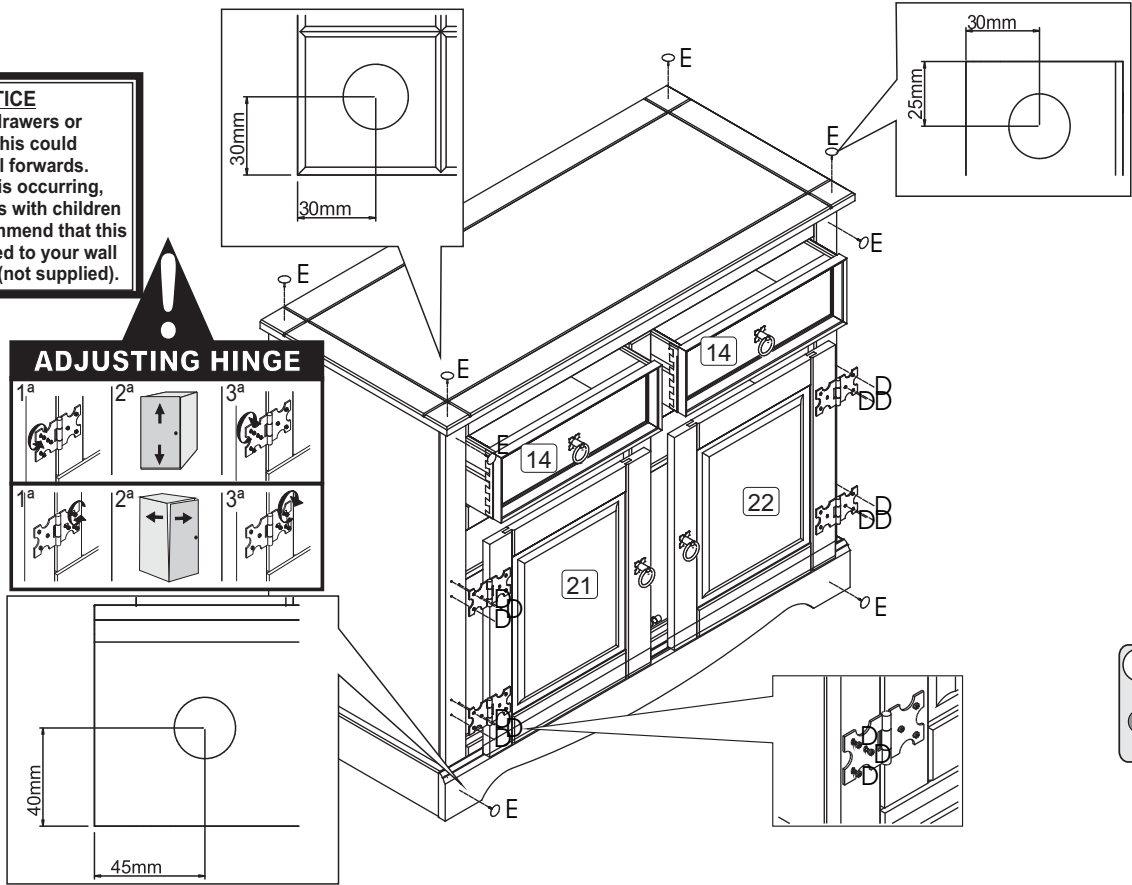
## Step 21



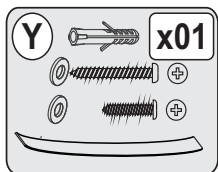
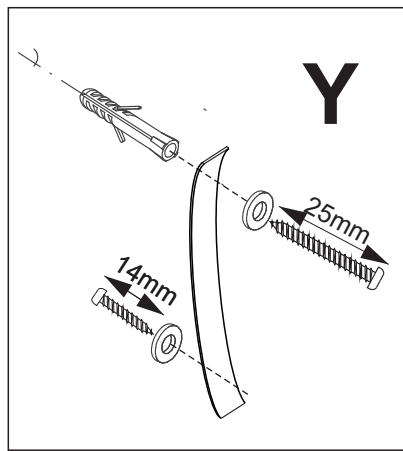
# Assembly Instructions

## Step 22

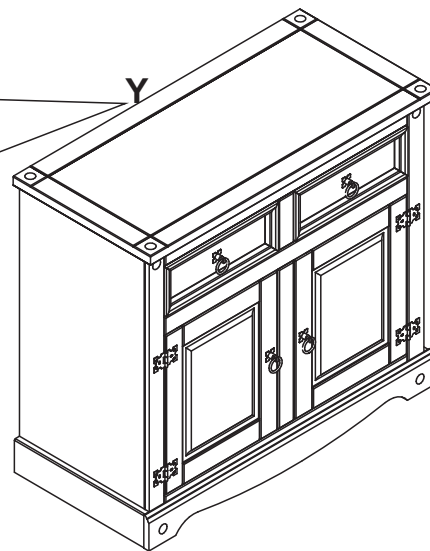
**IMPORTANT NOTICE**  
Please avoid opening all drawers or doors simultaneously as this could cause your furniture to fall forwards. Where there is a risk of this occurring, especially in environments with children or uneven floors we recommend that this item of furniture is attached to your wall using appropriate fixings (not supplied).



## Step 23



**X** x01 The RED satchet contains touch up paint for your furniture. Please retain for use should you require it at any point in the future. Application is best with a small paint brush which can be cleaned in water after use.  
RED = PAINT



**WARNING: CHECK FOR HIDDEN PIPES AND CABLES BEFORE DRILLING.**

**IMPORTANT: IF YOUR WALLS ARE NOT SOLID LIKE BRICK OR STONE, YOU WILL REQUIRE SPECIALIST FITTINGS (NOT SUPPLIED).**

- Place fixing strip against the wall and mark position for drilling hole.
- Drill hole in your wall to a depth of 30mm using a 6mm drill bit. If the surface of your wall is soft and crumbly, we would advise you to use a 5mm drill bit for a tighter fit.
- Insert plug into hole with end flush to the wall surface.
- Attach fixing strip to the wall using the 25mm screw + washer and securely tighten.
- Pre-drill small pilot hole on the back edge of the furniture top using a 2mm drill bit. Attach the other end of fixing strip to the back edge of the furniture top using the 14mm screw + washer and securely tighten.