

ASSEMBLY INSTRUCTIONS



Fine Furniture for every stage of life

ASSEMBLY INSTRUCTIONS

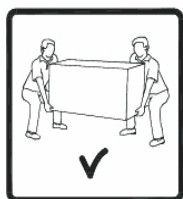
ASSEMBLY TIPS:

1. Remove hardware from box and sort by size.
2. Please check to see that all hardware and parts are present prior to start of assembly.
3. Please follow attached instructions in the same sequence as numbered to assure fast & easy assembly.



Warning!






1. Don't attempt to repair or modify parts that are broken or defective. Please contact the store immediately.
2. This product is for home use only and not intended for commercial establishments.




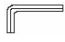
ASSEMBLY TIME

5 MINUTES

PARTS IDENTIFICATION

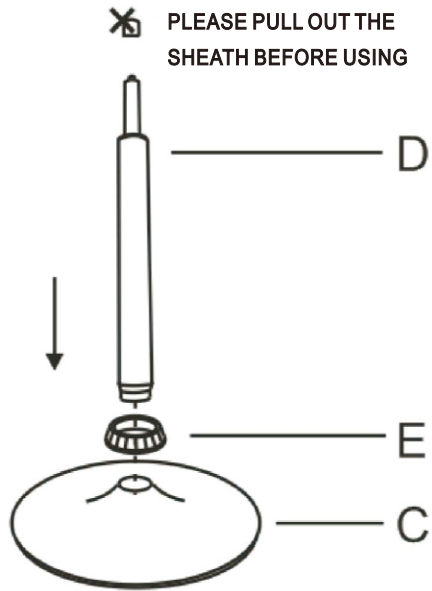
	PART NAME	FIGURE	QTY
A	CHAIR SEAT		1 PC
B	FOOT REST		1 PC
C	BASE		1 PC
D	GAS CYLINDER		1 PC
E	COVER RING		1 PC

HARDWARE IDENTIFICATION

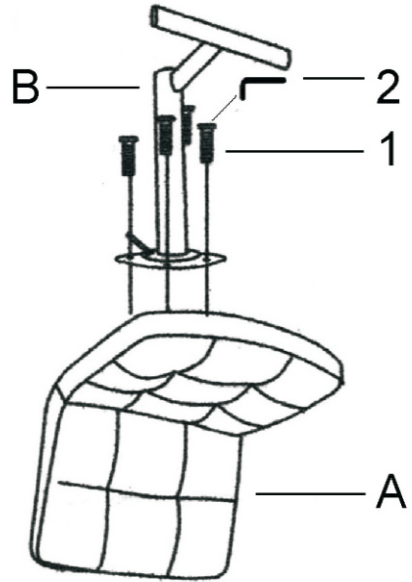
	HARDWARE NAME	FIGURE	QTY
1	BOLTS M6x16MM		4PCS
2	ALLEN WRENCH M6		1 PC

ASSEMBLY INSTRUCTIONS

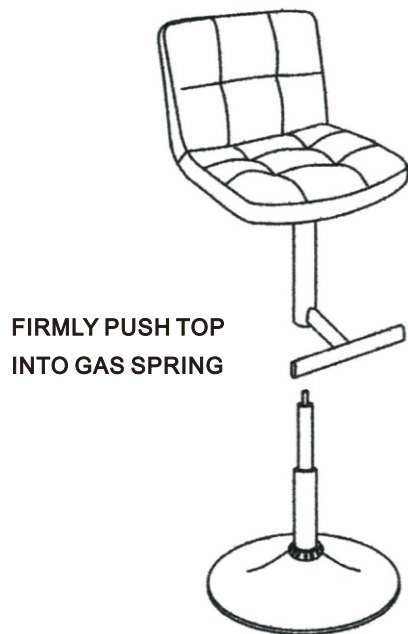
STEP1



STEP2



STEP3



STEP4



ASSEMBLY INSTRUCTIONS



Note: Dimension tolerance $\pm 5\%$