



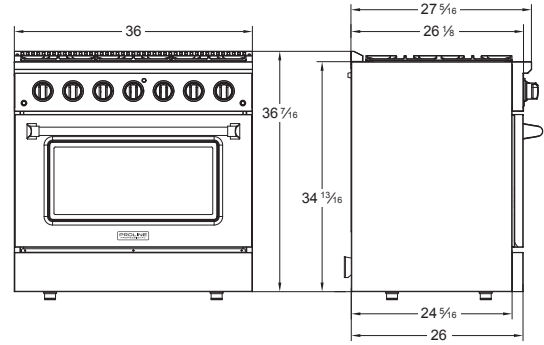
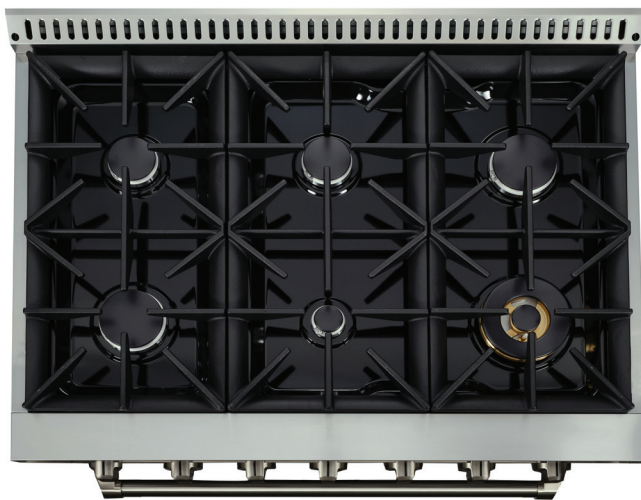
## The PLSR 36GE

Embrace the perfect harmony of performance, capacity, and design with our 6-burner PLSR 36GE gas range and 4.5 cu.ft electric convection oven. Elevate your kitchen and culinary experience by ordering yours today and savor the pleasure of consistently flawless cooking!

### Cooktop

6 burners for ultimate cooking flexibility:

- 1 x 20,000 BTU dual burners with simmer
- 1 x 15,000 BTU burners
- 1 x 12,000 BTU burners
- 2 x 9,000 BTU burners
- 1 x 6,000 BTU burners
- Heavy duty cast-iron cooking grates for durability and heat retention



### Dimensions & Electrical Requirements

Dimensions . . . . . 36" W x 27 5/16" D 36 7/16" H  
(37 1/4" Adjustable)

Electrical Req. . . . . 240V/60Hz or 16A

### Ovens

- 4.5 cu. ft. oven with 3,400 W convection and 2,800 W broiler for perfect roasting and baking
- Black porcelain oven interiors for easy cleaning and stylish appearance
- 2 halogen lights for excellent visibility
- 2 layers of glass on oven windows for added safety
- Manual oven control and electronic ignition with auto re-ignition for reliable performance
- Manual convection cooking mode for ultimate control



### Design & Details

- Black porcelain top and full stainless steel side panels for a sleek, modern look
- Premium quality metal control knobs
- Extra-large oven windows
- 4" stainless steel backsplash for a professional finish.
- Fully adjustable heavy-duty legs for stability and easy leveling

### Accessories

- Available in Natural Gas or Liquid Propane to suit your fuel preference