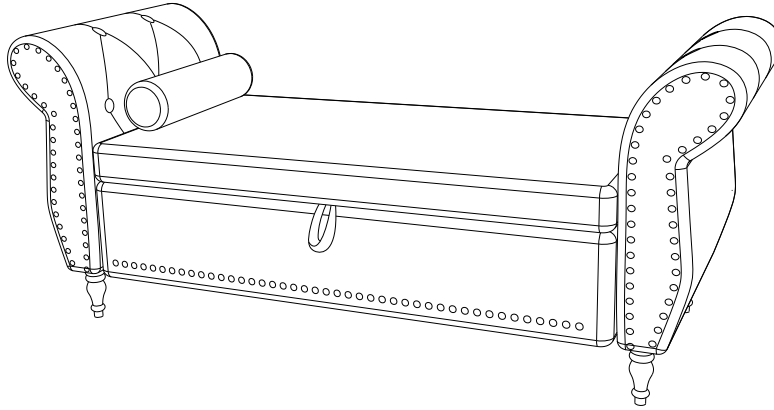
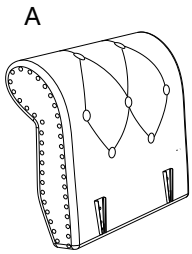


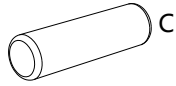
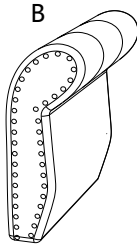
ASSEMBLY INSTRUCTION



PARTS LIST



ARM REST L+R (2 PCS)



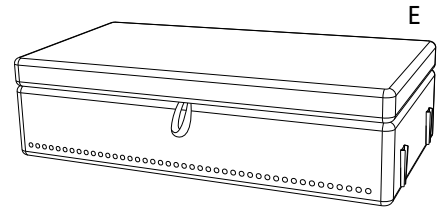
PILLOW (1 PC)



LEGS (4 PCS)



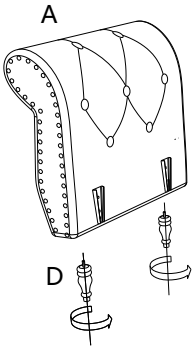
All Parts Inside
Seat Box



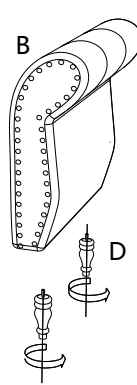
SEAT BOX WITH STORAGE (1 PC)

ASSEMBLY

STEP 1-1

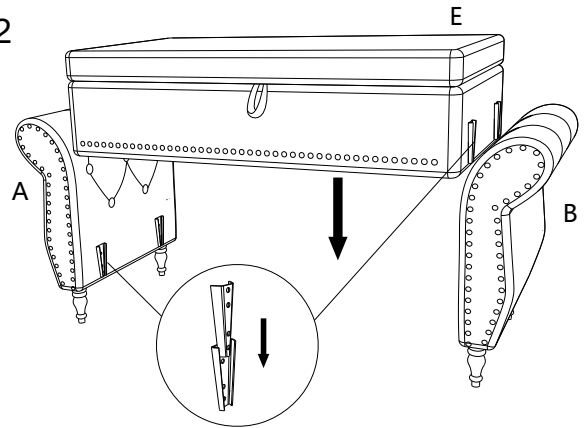


STEP 1-2

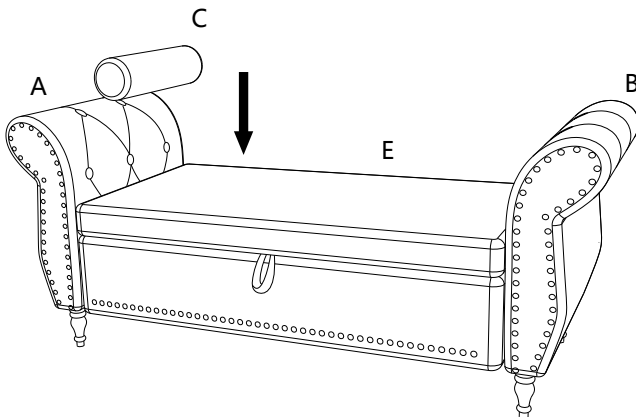


Notice:
MAKE SURE ALL THE
LEGS ARE FASTENED.

STEP 2



STEP 3



OPEN FOR STORAGE

